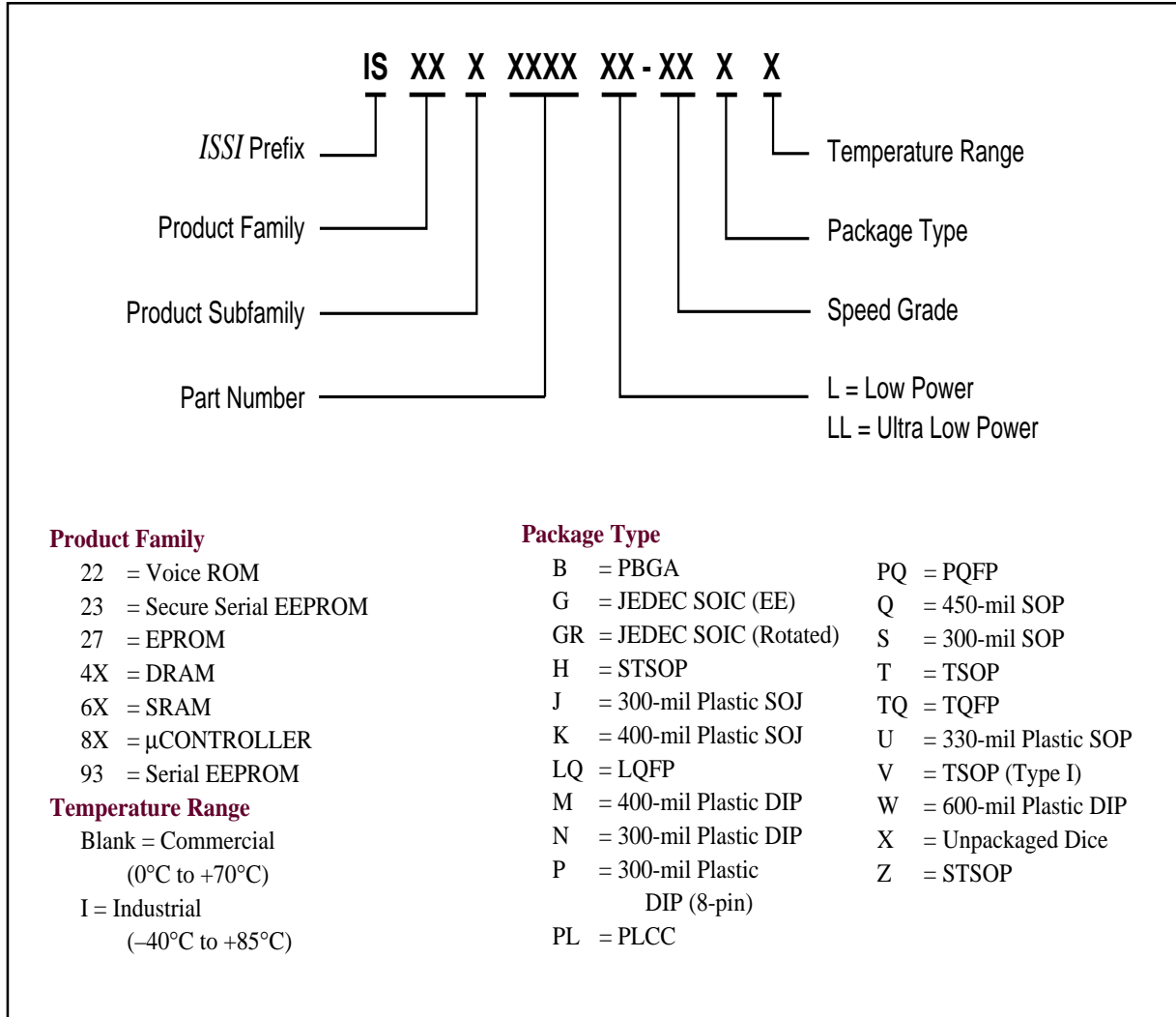


CROSS REFERENCE GUIDE

**SRAM
DRAM
EEPROM
EPROM
MICROCONTROLLER**

JUNE 1999

ORDERING INFORMATION



ALLIANCE	ISSI
PACKAGE SYMBOL	
TJC J	SOJ (300mil)
JC K	SOJ (400mil)
PC N	PDIP (300mil)
TPC M	PDIP (400mil)
S Q	SOP
AS34096-15JC	IS61LV5128-12K
AS34096-15JC	IS61LV5128-15K
AS7C1024-12JC	IS61C1024-12K
AS7C1024-12PC	IS61C1024-12M
AS7C1024-12TJC	IS61C1024-12J
AS7C1024-12TPC	IS61C1024-12N
AS7C1024-15JC	IS61C1024-15K
AS7C1024-15PC	IS61C1024-15M
AS7C1024-15TJC	IS61C1024-15J
AS7C1024-15TPC	IS61C1024-15N
AS7C1024-20JC	IS61C1024-20K
AS7C1024-20PC	IS61C1024-20M
AS7C1024-20TJC	IS61C1024-20J
AS7C1024-20TPC	IS61C1024-20N
AS7C1024-25JC	IS61C1024-25K
AS7C1024-25PC	IS61C1024-25M
AS7C1024-25TJC	IS61C1024-25J
AS7C1024-25TPC	IS61C1024-25N
AS7C1024-35JC	IS61C1024-35K
AS7C1024-35PC	IS61C1024-35M
AS7C1024-35TJC	IS61C1024-35J
AS7C1024-35TPC	IS61C1024-35N
AS7C1024L-12JC	IS61C1024L-12K
AS7C1024L-12PC	IS61C1024L-12M
AS7C1024L-12TJC	IS61C1024L-12J
AS7C1024L-12TPC	IS61C1024L-12N
AS7C1024L-15JC	IS61C1024L-15K
AS7C1024L-15PC	IS61C1024L-15M
AS7C1024L-15TJC	IS61C1024L-15J
AS7C1024L-15TPC	IS61C1024L-15N
AS7C1024L-20JC	IS61C1024L-20K
AS7C1024L-20PC	IS61C1024L-20M
AS7C1024L-20TJC	IS61C1024L-20J
AS7C1024L-20TPC	IS61C1024L-20N
AS7C1024L-25JC	IS61C1024L-25K
AS7C1024L-25PC	IS61C1024L-25M
AS7C1024L-25TJC	IS61C1024L-25J
AS7C1024L-25TPC	IS61C1024L-25N
AS7C1024L-35JC	IS61C1024L-35K
AS7C1024L-35PC	IS61C1024L-35M
AS7C1024L-35TJC	IS61C1024L-35J
AS7C1024L-35TPC	IS61C1024L-35N
AS7C256-10PC	IS61C256AH-10N
AS7C256-12JC	IS61C256AH-12J
AS7C256-12PC	IS61C256AH-12N
AS7C256-15JC	IS61C256AH-15J
AS7C256-15PC	IS61C256AH-15N
AS7C256-20JC	IS61C256AH-20J
AS7C256-20PC	IS61C256AH-20N

ALLIANCE	ISSI
AS7C256-25JC	IS61C256AH-20J
AS7C256-25PC	IS61C256AH-20N
AS7C256-35JC	IS61C256AH-20J
AS7C256-35PC	IS61C256AH-20N
AS7C31024LL	IS62LV1024LL
AS7C31024LL-55T	IS62LV1024LL-55T
AS7C31024LL-70T	IS62LV1024LL-70T
AS7C31025	IS63LV1024
AS7C31025-10J	IS63LV1024-10K
AS7C31025-10TJ	IS63LV1024-10J
AS7C31025-12J	IS63LV1024-12K
AS7C31025-12TJ	IS63LV1024-12J
AS7C31025-15J	IS63LV1024-15K
AS7C31025-15TJ	IS63LV1024-15J
AS7C31026LL	IS62V6416LL
AS7C31026LL-100BC	IS62V6416LL-100B
AS7C31026LL-100BI	IS62V6416LL-100BI
AS7C31026LL-100TC	IS62V6416LL-100T
AS7C31026LL-100TI	IS62V6416LL-100TI
AS7C31026LL-70BC	IS62V6416LL-70B
AS7C31026LL-70BI	IS62V6416LL-70BI
AS7C31026LL-70TC	IS62V6416LL-70T
AS7C31026LL-70TI	IS62V6416LL-70TI
AS7C3128K16	IS61LV12816
AS7C3128K16-10JC	IS61LV12816-10K
AS7C3128K16-10JI	IS61LV12816-10KI
AS7C3128K16-10TC	IS61LV12816-10T
AS7C3128K16-10TI	IS61LV12816-10TI
AS7C3128K16-12JC	IS61LV12816-12K
AS7C3128K16-12JI	IS61LV12816-12KI
AS7C3128K16-12TC	IS61LV12816-12T
AS7C3128K16-12TI	IS61LV12816-12TI
AS7C3128K16-15JC	IS61LV12816-15K
AS7C3128K16-15JI	IS61LV12816-15KI
AS7C3128K16-15TC	IS61LV12816-15T
AS7C3128K16-15TI	IS61LV12816-15TI
AS7C3128K32P-3.5TQC	IS61SP12832-166TQ
AS7C3128K32P-3.8TQC	IS61SP12832-150TQ
AS7C3128K32P-4TQC	IS61SP12832-133TQ
AS7C3128K32P-5TQC	IS61SP12832-5TQ
AS7C3128K36P-3.5TQC	IS61SP12836-166TQ
AS7C3128K36P-3.8TQC	IS61SP12836-150TQ
AS7C3128K36P-4TQC	IS61SP12836-133TQ
AS7C3128K36P-5TQC	IS61SP12836-5TQ
AS7C3256	IS61LV256
AS7C3256-10J	IS61LV256-10J
AS7C3256-10T	IS61LV256-10T
AS7C3256-12J	IS61LV256-12J
AS7C3256-12JC	IS61LV256-12J
AS7C3256-12PC	IS61LV256-12N
AS7C3256-12T	IS61LV256-12T
AS7C3256-15J	IS61LV256-15J
AS7C3256-15JC	IS61LV256-15J
AS7C3256-15PC	IS62LV256L-15J

ALLIANCE	ISSI
AS7C3256-15PC	IS61LV256-15N
AS7C3256-15PC	IS62LV256L-15N
AS7C3256-15T	IS61LV256-15T
AS7C3256-15TC	IS62LV256L-15T1
AS7C3256-20J	IS61LV256-20J
AS7C3256-20JC	IS61LV256-20J
AS7C3256-20JC	IS62LV256L-20J
AS7C3256-20PC	IS61LV256-20N
AS7C3256-20PC	IS62LV256L-20N
AS7C3256-20T	IS61LV256-20T
AS7C3256-20TC	IS62LV256L-20T1
AS7C3256-25JC	IS61LV256-25J
AS7C3256-25PC	IS61LV256-25N
AS7C3256K16P-3.5TQC	IS61SP25616-166TQ
AS7C3256K16P-3.8TQC	IS61SP25616-150TQ
AS7C3256K16P-4TQC	IS61SP25616-133TQ
AS7C3256K16P-5TQC	IS61SP25616-5TQ
AS7C3256K18P-3.5TQC	IS61SP25618-166TQ
AS7C3256K18P-3.8TQC	IS61SP25618-150TQ
AS7C3256K18P-4TQC	IS61SP25618-133TQ
AS7C3256K18P-5TQC	IS61SP25618-5TQ
AS7C33232FF-7QC	IS61C632A-7PQ
AS7C3513-12JC	IS61LV3216-10K
AS7C3513-12JC	IS61LV3216-12K
AS7C3513-12TC	IS61LV3216-10T2
AS7C3513-12TC	IS61LV3216-12T2
AS7C3513-15JC	IS61LV3216-15K
AS7C3513-15TC	IS61LV3216-15T2
AS7C3513-20JC	IS61LV3216-20K
AS7C3513-20TC	IS61LV3216-20T2
AS7C36432-5QC	IS61S6432-5PQ
AS7C36432-5TQC	IS61S6432-5TQ
AS7C36432-6QC	IS61S6432-6PQ
AS7C36432-6TQC	IS61S6432-6TQ
AS7C36432-7QC	IS61S6432-7PQ
AS7C36432-7TQC	IS61S6432-7TQ
AS7C36437-10QC	IS61SF6432-10PQ
AS7C36437-10TQC	IS61SF6432-10TQ
AS7C512-15JC	IS61C512-15J
AS7C512-15PC	IS61C512-15N
AS7C512-15SC	IS61C512-15Q
AS7C512-20JC	IS61C512-20J
AS7C512-20PC	IS61C512-20N
AS7C512-20SC	IS61C512-20Q
AS7C512-25JC	IS61C512-25J
AS7C512-25PC	IS61C512-25N
AS7C512-25SC	IS61C512-25Q
AS7C512-35JC	IS61C512-35J
AS7C512-35PC	IS61C512-35N
AS7C512-35SC	IS61C512-35Q
AS7C513-12JC	IS61C3216-10K
AS7C513-12JC	IS61C3216-12K
AS7C513-12TC	IS61C3216-10T2
AS7C513-12TC	IS61C3216-12T2

SRAM

ALLIANCE	ISSI
AS7C513-15JC	IS61C3216-15K
AS7C513-15TC	IS61C3216-15T2
AS7C513-20JC	IS61C3216-20K
AS7C513-20TC	IS61C3216-20T2
AS7C64-20JC	IS61C64AH-20J
AS7C64-20PC	IS61C64AH-20N

APTOS	ISSI
PACKAGE SYMBOL	
V K	SOJ (400mil)
AP9A107-15VC	IS61C1024-15K
AP9A107-20VC	IS61C1024-20K
AP9A107-25VC	IS61C1024-25K
AP9A107-30VC	IS61C1024-25K
AP9B145-10TC	IS61LV25616-10T2
AP9B145-10VC	IS61LV25616-10K
AP9B145-12TC	IS61LV25616-12T2
AP9B145-12VC	IS61LV25616-12K
AP9B145-15TC	IS61LV25616-15T2
AP9B145-15VC	IS61LV25616-15K
AP9B148-10TC	IS61LV5128-10T2
AP9B148-10VC	IS61LV5128-10K
AP9B148-12TC	IS61LV5128-12T2
AP9B148-12VC	IS61LV5128-12K
AP9B148-15TC	IS61LV5128-15T2
AP9B148-15VC	IS61LV5128-15K

AT&T	ISSI
PACKAGE SYMBOL	
J J	SOJ (300mil)
P N	PDIP (300mil)
P M	PDIP (400mil)
ATT7C109J-15	IS61C1024-15J
ATT7C109J-20	IS61C1024-20J
ATT7C109J-25	IS61C1024-25J
ATT7C109P-15	IS61C1024-15N
ATT7C109P-20	IS61C1024-20N
ATT7C109P-25	IS61C1024-25N
ATT7C185J-15	IS61C64AH-15J
ATT7C185J-20	IS61C64AH-20J
ATT7C185J-25	IS61C64AH-25J
ATT7C185P-15	IS61C64AH-15N
ATT7C185P-20	IS61C64AH-20N
ATT7C185P-25	IS61C64AH-25N
ATT7C199J-12	IS61C256AH-12J
ATT7C199J-15	IS61C256AH-15J
ATT7C199J-20	IS61C256AH-20J
ATT7C199P-12	IS61C256AH-12N
ATT7C199P-15	IS61C256AH-15N
ATT7C199P-20	IS61C256AH-20N

CYPRESS	ISSI
PACKAGE SYMBOL	
P N	PDIP (300mil)
P M	PDIP (400mil)
V J	SOJ (300mil)
V K	SOJ (400mil)
A TQ	TQFP
C7C1334-10AC	IS61NW6432-8TQ
C7C1334-5AC	IS61NW6432-5TQ
C7C1334-7AC	IS61NW6432-6TQ
C7C1334-7AC	IS61NW6432-7TQ
C7C1335-5.5AC	IS61C632A-5TQ
C7C1335-7AC	IS61C632A-6TQ
C7C1335-7AC	IS61C632A-7TQ
C7C1335-8.5AC	IS61C632A-8TQ
C7C1337-5.5AC	IS61LV632A-5TQ
C7C1337-5AC	IS61LV632A-5TQ
C7C1337-8.5AC	IS61LV632A-7TQ
C7C1337-8.5AC	IS61LV632A-7TQ
CY62126V-70BAC	IS62V6416LL-70B
CY62126V-70ZC	IS62V6416LL-70T
CY62126VL-70BAC	IS62V6416LL-70B
CY62126VL-70ZC	IS62V6416LL-70T
CY62126VLL-70BAC	IS62V6416LL-70B
CY62126VLL-70BAI	IS62V6416LL-70BI
CY62126VLL-70ZC	IS62V6416LL-70T
CY62126VLL-70ZI	IS62V6416LL-70TI
CY62127V	IS62V6416BLL
CY62127V-70BA	IS62V6416BLL-70B
CY62127V-70Z	IS62V6416BLL-70T
CY62128VLL	IS62LV1024LL
CY62128VLL-70S	IS62LV1024LL-70Q
CY62128VLL-70ZA	IS62LV1024LL-70H
CY62128VLL-70ZA	IS62LV1024LL-70T
CY62136V	IS62LV12816L
CY62136V-70BAI	IS62LV12816L-70BI
CY62136V-70ZI	IS62LV12816L-70TI
CY62136VLL-70BAI	IS62LV12816LL-70BI
CY62136VLL-70ZI	IS62LV12816LL-70TI
CY62256	IS62C256
CY62256-55SN	IS62C256-45U
CY62256-55Z	IS62C256-45T
CY62256-70SN	IS62C256-70U
CY62256-70Z	IS62C256-70T
CY62256V	IS62LV256
CY62256V-70SN	IS62LV256-70U
CY62256V-70Z	IS62LV256-70T
CY7C1009-12P	IS61C1024-12N
CY7C1009-12V	IS61C1024-12J
CY7C1009-15P	IS61C1024-15N
CY7C1009-15V	IS61C1024-15J
CY7C1009-20P	IS61C1024-20N
CY7C1009-20V	IS61C1024-20J
CY7C1009-25P	IS61C1024-25N
CY7C1009-25V	IS61C1024-25J

CYPRESS	ISSI
CY7C1009L	IS61C1024L
CY7C1009L-15V	IS61C1024L-15J
CY7C1011	IS61C12816
CY7C1011-15VC	IS61C12816-15T
CY7C1011-20VC	IS61C12816-20T
CY7C1011-25VC	IS61C12816-20T
CY7C1019V33	IS63LV1024
CY7C1019V33-10V	IS63LV1024-10K
CY7C1019V33-12V	IS63LV1024-12K
CY7C1019V33-15V	IS63LV1024-15K
CY7C1020	IS61C3216
CY7C1020-12V	IS61C3216-12K
CY7C1020-12Z	IS61C3216-12T
CY7C1020-15V	IS61C3216-15K
CY7C1020-15Z	IS61C3216-15T
CY7C1020V33	IS61LV3216
CY7C1020V33-10V	IS61LV3216-10K
CY7C1020V33-10Z	IS61LV3216-10T
CY7C1020V33-12V	IS61LV3216-12K
CY7C1020V33-12Z	IS61LV3216-12T
CY7C1020V33-15V	IS61LV3216-15K
CY7C1020V33-15Z	IS61LV3216-15T
CY7C1020V33L	IS61LV3216L
CY7C1020V33L-12V	IS61LV3216L-12K
CY7C1020V33L-12Z	IS61LV3216L-12T
CY7C1020V33L-15V	IS61LV3216L-15K
CY7C1020V33L-15Z	IS61LV3216L-15T
CY7C1021V33	IS61LV6416
CY7C1021V33-10V	IS61LV6416-10K
CY7C1021V33-10Z	IS61LV6416-10T
CY7C1021V33-12V	IS61LV6416-12K
CY7C1021V33-12Z	IS61LV6416-12T
CY7C1021V33-15V	IS61LV6416-15K
CY7C1021V33-15Z	IS61LV6416-15T
CY7C1041V33	IS61LV25616
CY7C1041V33-10V	IS61LV25616-10K
CY7C1041V33-10Z	IS61LV25616-10T
CY7C1041V33-12V	IS61LV25616-12K
CY7C1041V33-12Z	IS61LV25616-12T
CY7C1041V33-15V	IS61LV25616-15K
CY7C1041V33-15Z	IS61LV25616-15T
CY7C1049V33	IS61LV5128
CY7C1049V33-10V	IS61LV5128-10K
CY7C1049V33-10Z	IS61LV5128-10T
CY7C1049V33-12V	IS61LV5128-12K
CY7C1049V33-12Z	IS61LV5128-12T
CY7C1049V33-15V	IS61LV5128-15K
CY7C1049V33-15Z	IS61LV5128-15T
CY7C109A-12P	IS61C1024-12M
CY7C109A-12V	IS61C1024-12K
CY7C109A-15P	IS61C1024-15M
CY7C109A-15V	IS61C1024-15K
CY7C109A-20P	IS61C1024-20M
CY7C109A-20V	IS61C1024-20K

SRAM

CYPRESS	ISSI
CY7C109A-25P	IS61C1024-25M
CY7C109A-25V	IS61C1024-25K
CY7C109A-35P	IS61C1024-35M
CY7C109A-35V	IS61C1024-35K
CY7C1325-100AC	IS61SF25618-8TQ
CY7C1325-117AC	IS61SF25618-7.5TQ
CY7C1325-117AC	IS61SP25618-5TQ
CY7C1325-50AC	IS61SF25618-10TQ
CY7C1325-80AC	IS61SF25618-8.5TQ
CY7C1327-100AC	IS61SP25618-5TQ
CY7C1327-133AC	IS61SP25618-133TQ
CY7C1327-166AC	IS61SP25618-166TQ
CY7C1329-100AC	IS61S6432-5TQ
CY7C1329-75AC	IS61S6432-7TQ
CY7C1334-100AC	IS61NW6432-5TQ
CY7C1334-75AC	IS61NW6432-7TQ
CY7C1335-100AC	IS61C632A-5TQ
CY7C1335-10A	IS61C632A-8TQ
CY7C1335-75AC	IS61C632A-7TQ
CY7C1335-7A	IS61C632A-7TQ
CY7C1335-8A	IS61C632A-8TQ
CY7C1337-100AC	IS61LV632A-5TQ
CY7C1337-75AC	IS61LV632A-7TQ
CY7C1338-100AC	IS61SF12832-8TQ
CY7C1338-117AC	IS61SF12832-7.5TQ
CY7C1338-50AC	IS61SF12832-10TQ
CY7C1338-90AC	IS61SF12832-8.5TQ
CY7C1339 (L-100AC,-133AC)	IS61SP12832-5TQ
CY7C1339L-166AC	IS61SP12832-166TQ
CY7C1345-100AC	IS61SF12836-8TQ
CY7C1345-117AC	IS61SF12836-7.5TQ
CY7C1345-50AC	IS61SF12836-10TQ
CY7C1345-90AC	IS61SF12836-8.5TQ
CY7C1347-100AC	IS61SP12836-5TQ
CY7C1347-133AC	IS61SP12836-133TQ
CY7C1347-166AC	IS61SP12836-166TQ
CY7C1399,V-20VC	IS62LV256L-20J
CY7C1399,V-20VC	IS62LV256L-20J
CY7C1399-12PC	IS61LV256-12N
CY7C1399-12V	IS61LV256-12J
CY7C1399-12VC	IS61LV256-12J
CY7C1399-12Z	IS61LV256-12T
CY7C1399-15PC	IS61LV256-15N
CY7C1399-15V	IS61LV256-15J
CY7C1399-15VC	IS61LV256-15J
CY7C1399-15VC	IS62LV256L-15J
CY7C1399-15Z	IS61LV256-15T
CY7C1399-15ZC	IS62LV256L-15T1
CY7C1399-20PC	IS61LV256-20N
CY7C1399-20V	IS61LV256-20J
CY7C1399-20VC	IS61LV256-20J
CY7C1399-20Z	IS61LV256-20T
CY7C1399-20ZC	IS62LV256L-20T1

CYPRESS	ISSI
CY7C1399-25PC	IS61LV256-20N
CY7C1399-25VC	IS61LV256-20J
CY7C1399-25VC	IS62LV256L-25J
CY7C1399-25ZC	IS62LV256L-25T1
CY7C1399-35PC	IS61LV256-20N
CY7C1399-35VC	IS61LV256-20J
CY7C1399-35VC	IS62LV256L-25J
CY7C1399-35ZC	IS62LV256L-25T1
CY7C1399-V15VC	IS62LV256L-15J
CY7C1399-V15ZC	IS62LV256L-15T1
CY7C1399-V20ZC	IS62LV256L-20T1
CY7C1399-V25VC	IS62LV256L-25J
CY7C1399-V25ZC	IS62LV256L-25T1
CY7C1399-V35VC	IS62LV256L-25J
CY7C1399-V35ZC	IS62LV256L-25T1
CY7C185-15PC	IS61C64AH-15N
CY7C185-15VC	IS61C64AH-15J
CY7C185-20PC	IS61C64AH-20N
CY7C185-20VC	IS61C64AH-20J
CY7C185-25PC	IS61C64AH-25N
CY7C185-25VC	IS61C64AH-25J
CY7C185-35PC	IS61C64AH-35N
CY7C185-35VC	IS61C64AH-35J
CY7C199-10PC	IS61C256AH-10N
CY7C199-10VC	IS61C256AH-10J
CY7C199-12PC	IS61C256AH-12N
CY7C199-12VC	IS61C256AH-12J
CY7C199-15PC	IS61C256AH-15N
CY7C199-15VC	IS61C256AH-15J
CY7C199-20PC	IS61C256AH-20N
CY7C199-20VC	IS61C256AH-20J
CY7C199-25PC	IS61C256AH-20N
CY7C199-25VC	IS61C256AH-20J
CY7C199-35PC	IS61C256AH-20N
CY7C199-35VC	IS61C256AH-20J
CY7C199-45PC	IS61C256AH-20N
CY7C199-45VC	IS61C256AH-20J

EDI	ISSI
PACKAGE SYMBOL	
RC N	PDIP (300mil)
MC J	SOJ (300mil)
ECI8834C35MC	IS61C256AH-20J
ECI8834C35RC	IS61C256AH-20N
EDI88130CS20MC	IS61C1024-20J
EDI88130CS25MC	IS61C1024-25J
EDI88130CS35MC	IS61C1024-35J
EDI8834C25MC	IS61C256AH-20J
EDI8834C25RC	IS61C256AH-20N
EDI8834CA25MC	IS61C256AH-20J
EDI8834CA25RC	IS61C256AH-20N
EDI8834CA35MC	IS61C256AH-20J
EDI8834CA35RC	IS61C256AH-20N

ENABLE	ISSI
PACKAGE SYMBOL	
B B	BallGridArray
T T	TSOP
J J	SOP
N H	sTSOP
EM064C16	IS62V6416LL
EM064C16B	IS62V6416LL-70B
EM064C16TC	IS62V6416LL-70T
EM128C16	IS62LV12816LL
EM128C16B	IS62LV12816LL-55BI
EM128C16T	IS62LV12816LL-55TI
EM128C16TC	IS62LV12816LL-55T
EM256C08-NC	IS6LV2568/LL-55H
EM256C08-TC	IS6LV2568/LL-55T

FUJITSU	ISSI
PACKAGE SYMBOL	
PSK N	PDIP (300mil)
PSK M	PDIP (400mil)
P W	PDIP (600mil)
PJ J	SOJ (300mil)
PJ K	SOJ (400mil)
PF U	SOP
PF Q	SOP
PFT T	TSOP
MB81C78A-15PJ	IS61C64AH-15J
MB81C78A-15PSK	IS61C64AH-15N
MB81C78A-20PJ	IS61C64AH-20J
MB81C78A-20PSK	IS61C64AH-20N
MB81C78A-25PJ	IS61C64AH-25J
MB81C78A-25PSK	IS61C64AH-25N
MB82008-15PJ	IS61C1024-15K
MB82008-15PSK	IS61C1024-15M
MB82008-20PJ	IS61C1024-20K
MB82008-20PSK	IS61C1024-20M
MB82008-25PJ	IS61C1024-25K
MB82008-25PSK	IS61C1024-25M
MB8287-12PJ	IS61C256AH-12J
MB8287-12PSK	IS61C256AH-12N
MB8287-15PJ	IS61C256AH-15J
MB8287-15PSK	IS61C256AH-15N
MB8287-20PJ	IS61C256AH-20J
MB8287-20PSK	IS61C256AH-20N
MB8298-12PJ	IS61C256AH-12J
MB8298-12PSK	IS61C256AH-12N
MB8298-15PJ	IS61C256AH-15J
MB8298-15PSK	IS61C256AH-15N
MB8298-20PJ	IS61C256AH-20J
MB8298-20PSK	IS61C256AH-20N
MB82B008-15PJ	IS61C1024-15K
MB82B008-15PSK	IS61C1024-15M
MB82B008-20PJ	IS61C1024-20K
MB82B008-20PSK	IS61C1024-20M

SRAM

FUJITSU	ISSI
MB82B008-25PJ	IS61C1024-25K
MB82B008-25PSK	IS61C1024-25M
MB82B88-12PJ	IS61C256AH-12J
MB82B88-12PSK	IS61C256AH-12N
MB82B88-15PJ	IS61C256AH-15J
MB82B88-15PSK	IS61C256AH-15N
MB82B88-20PJ	IS61C256AH-20J
MB82B88-20PSK	IS61C256AH-20N
MB841000-45P	IS62C1024-45W
MB841000-45PF	IS62C1024-45Q
MB841000-55P	IS62C1024-55W
MB841000-55PF	IS62C1024-55Q
MB841000-70P	IS62C1024-70W
MB841000-70PF	IS62C1024-70Q
MB84256A-100FTN	IS62C256-100T
MB84256A-100P	IS62C256-100W
MB84256A-100PF	IS62C256-100U
MB84256A-45FTN	IS62C256-45T
MB84256A-45P	IS62C256-45W
MB84256A-45PF	IS62C256-45U
MB84256A-70FTN	IS62C256-70T
MB84256A-70P	IS62C256-70W
MB84256A-70PF	IS62C256-70U
MB8464A-100P	IS62C64-100W
MB8464A-70P	IS62C64-70W
G-LINK	ISSI
PACKAGE SYMBOL	
J3	J SOJ (300mil)
J4	K SOJ (400mil)
TC	T TSOP (II)
GLT6110L16LL	IS62LV12816L
GLT6110L16LL-70TC	IS62LV12816L-70T
GLT6110L16LL-85TC	IS62LV12816L-70T
GLT6110L16LLI-70TC	IS62LV12816L-70TI
GLT6110L16LLI-85TC	IS62LV12816L-70TI
GLT6110L16SL-70TC	IS62LV12816LL-70T
GLT6110L16SL-85TC	IS62LV12816LL-70T
GLT6110L16SLI-70TC	IS62LV12816LL-70TI
GLT6110L16SLI-85TC	IS62LV12816LL-70TI
GLT710008	IS61C1024
GLT710008-12J3	IS61C1024-12J
GLT710008-12J4	IS61C1024-12K
GLT710008-12TC	IS61C1024-12T
GLT710008-15J3	IS61C1024-15J
GLT710008-15J4	IS61C1024-15K
GLT710008-15TC	IS61C1024-15T
GLT710008-20J3	IS61C1024-20J
GLT710008-20J4	IS61C1024-20K
GLT710008-20TC	IS61C1024-20T
GLT710016	IS61C6416
GLT710016-12J4	IS61C6416-12K
GLT710016-12TC	IS61C6416-12T
GLT710016-15J4	IS61C6416-15K

G-LINK	ISSI
GLT710016-15TC	IS61C6416-15T
GLT710016-20J4	IS61C6416-20K
GLT710016-20TC	IS61C6416-20T
GLT7110L08	IS63LV1024
GLT7110L08-10J3	IS63LV1024-10J
GLT7110L08-10TC	IS63LV1024-10T
GLT7110L08-12J3	IS63LV1024-12J
GLT7110L08-12TC	IS63LV1024-12T
GLT7110L08-15J3	IS63LV1024-15J
GLT7110L08-15TC	IS63LV1024-15T
GLT725608	IS61C256AH
GLT725608-10J3	IS61C256AH-10J
GLT725608-12J3	IS61C256AH-12J
GLT725608-15J3	IS61C256AH-15J
GLT725608-20J3	IS61C256AH-20J
GLT8410L18F-10B	IS61SF25618-10B
GLT8410L18F-10TQ	IS61SF25618-10TQ
GLT8410L18F-7.5B	IS61SF25618-7.5B
GLT8410L18F-7.5TQ	IS61SF25618-7.5TQ
GLT8410L18F-8.5B	IS61SF25618-8.5B
GLT8410L18F-8.5TQ	IS61SF25618-8.5TQ
GLT8410L18F-9B	IS61SF25618-9B
GLT8410L18F-9TQ	IS61SF25618-9TQ
GLT8410L18P-11B	IS61SP25618-5B
GLT8410L18P-11TQ	IS61SP25618-5TQ
GLT8410L18P-7.5B	IS61SP25618-133B
GLT8410L18P-7.5TQ	IS61SP25618-133TQ
GLT8410L18P-8.5B	IS61SP25618-117B
GLT8410L18P-8.5TQ	IS61SP25618-117TQ
GLT8410L32F-10B	IS61SF12832-10B
GLT8410L32F-10TQ	IS61SF12832-10TQ
GLT8410L32F-7.5B	IS61SF12832-7.5B
GLT8410L32F-7.5TQ	IS61SF12832-7.5TQ
GLT8410L32F-8.5B	IS61SF12832-8.5B
GLT8410L32F-8.5TQ	IS61SF12832-8.5TQ
GLT8410L32F-9B	IS61SF12832-9B
GLT8410L32F-9TQ	IS61SF12832-9TQ
GLT8410L32P-11B	IS61SP12832-5B
GLT8410L32P-11TQ	IS61SP12832-5TQ
GLT8410L32P-7.5B	IS61SP12832-133B
GLT8410L32P-7.5TQ	IS61SP12832-133TQ
GLT8410L32P-8.5B	IS61SP12832-117B
GLT8410L32P-8.5TQ	IS61SP12832-117TQ
GLT8410L36F-10B	IS61SF12836-10B
GLT8410L36F-10TQ	IS61SF12836-10TQ
GLT8410L36F-7.5B	IS61SF12836-7.5B
GLT8410L36F-7.5TQ	IS61SF12836-7.5TQ
GLT8410L36F-8.5B	IS61SF12836-8.5B
GLT8410L36F-8.5TQ	IS61SF12836-8.5TQ
GLT8410L36F-9B	IS61SF12836-9B
GLT8410L36F-9TQ	IS61SF12836-9TQ
GLT8410L36P-11B	IS61SP12836-5B
GLT8410L36P-11TQ	IS61SP12836-5TQ
GLT8410L36P-7.5B	IS61SP12836-133B

G-LINK	ISSI
GLT8410L36P-7.5TQ	IS61SP12836-133TQ
GLT8410L36P-8.5B	IS61SP12836-117B
GLT8410L36P-8.5TQ	IS61SP12836-117TQ
GALVANTECH	ISSI
PACKAGE SYMBOL	
J	K SOJ (400mil)
TS	T TSOP
7132D32Q-5	IS61C632A-5PQ
7132D32Q-6	IS61C632A-6PQ
7132D32Q-7	IS61C632A-7PQ
7132D32T-5	IS61C632A-5TQ
7132D32T-6	IS61C632A-6TQ
7132D32T-7	IS61C632A-7TQ
7164B36T-10	IS61SF6436-10TQ
7164D32Q-5	IS61S6432-5PQ
7164D32Q-6	IS61S6432-6PQ
7164D32Q-7	IS61S6432-7PQ
7164D32T-5	IS61S6432-5TQ
7164D32T-6	IS61S6432-6TQ
7164D32T-7	IS61S6432-7TQ
7164D36T-5	IS61S6436-133TQ
7164D36T-6	IS61SP6436-117TQ
GVT71128B32T-10	IS61SF12832-10TQ
GVT71128B32T-9	IS61SF12832-9TQ
GVT71128D32T-5	IS61SP12832-5TQ
GVT71128E40B-10	IS61SF12836-10B
GVT71128E40B-7	IS61SF12836-7.5B
GVT71128E40B-8	IS61SF12836-8B
GVT71128E40B-9	IS61SF12836-8.5B
GVT71128E40T-10	IS61SF12836-10TQ
GVT71128E40T-7	IS61SF12836-7.5TQ
GVT71128E40T-8	IS61SF12836-8TQ
GVT71128E40T-9	IS61SF12836-8.5TQ
GVT71128G36B-3	IS61SP12836-166B
GVT71128G36B-4	IS61SP12836-150B
GVT71128G36B-5	IS61SP12836-133B
GVT71128G36B-6	IS61SP12836-117B
GVT71128G36T-3	IS61SP12836-166TQ
GVT71128G36T-4	IS61SP12836-150TQ
GVT71128G36T-5	IS61SP12836-133TQ
GVT71128G36T-6	IS61SP12836-117TQ
GVT71256E18B-10	IS61SF25618-10B
GVT71256E18B-7	IS61SF25618-7.5B
GVT71256E18B-8	IS61SF25618-8B
GVT71256E18B-9	IS61SF25618-8.5B
GVT71256E18T-10	IS61SF25618-10TQ
GVT71256E18T-7	IS61SF25618-7.5TQ
GVT71256E18T-8	IS61SF25618-8TQ
GVT71256E18T-9	IS61SF25618-8.5TQ
GVT71256F18T-3	IS61SP25618-3.5TQ
GVT71256F18T-4	IS61SP25618-3.8TQ
GVT71256F18T-5	IS61SP25618-4TQ
GVT71256G18B-3	IS61SP25618-133B

SRAM

GALVANTECH	ISSI
GVT71256G18B-4	IS61SP25618-117B
GVT71256G18B-5	IS61SP25618-5B
GVT71256G18T-3	IS61SP25618-133TQ
GVT71256G18T-3	IS61SP25618-3.5TQ
GVT71256G18T-4	IS61SP25618-117TQ
GVT71256G18T-4	IS61SP25618-3.8TQ
GVT71256G18T-5	IS61SP25618-4TQ
GVT71256G18T-5	IS61SP25618-5TQ
GVT7132D32Q-5	IS61C632A-5PQ
GVT7132D32Q-6	IS61C632A-6PQ
GVT7132D32Q-7	IS61C632A-7PQ
GVT7132D32T-5	IS61C632A-5TQ
GVT7132D32T-6	IS61C632A-5TQ
GVT7132D32T-7	IS61C632A-7TQ
GVT7164D32Q-5	IS61LV6432-5PQ
GVT7164D32Q-6	IS61LV6432-6PQ
GVT7164D32Q-7	IS61LV6432-7PQ
GVT7164D32Q-8	IS61LV6432-8PQ
GVT7164D32T-5	IS61LV6432-5TQ
GVT7164D32T-6	IS61LV6432-6TQ
GVT7164D32T-7	IS61LV6432-7TQ
GVT7164D32T-8	IS61LV6432-8TQ
GVT7164D64Q-5	IS61SP6464-100PQ
GVT7164D64Q-6	IS61LV6464-6PQ
GVT7164D64Q-6	IS61SP6464-6TQ
GVT7164D64Q-7	IS61LV6464-7PQ
GVT7164D64Q-7	IS61SP6464-7PQ
GVT7164D64T-5	IS61SP6464-100TQ
GVT7164D64T-6	IS61LV6464-6TQ
GVT7164D64T-7	IS61SP6464-6PQ
GVT7164D64T-7	IS61LV6464-7TQ
GVT7164DS64Q-5	IS61SP6464-5PQ
GVT7164DS64Q-6	IS61SP6464-6PQ
GVT7164DS64Q-7	IS61SP6464-7PQ
GVT7164DS64T-5	IS61SP6464-5TQ
GVT7164DS64T-6	IS61SP6464-6TQ
GVT7164DS64T-7	IS61SP6464-7TQ
GVT72024A8	IS61C1024
GVT72024A8-12J	IS61C1024-12K
GVT72024A8-12SJ	IS61C1024-12J
GVT72024A8-12TS	IS61C1024-12T
GVT72024A8-15J	IS61C1024-15K
GVT72024A8-15JI	IS61C1024-15KI
GVT72024A8-15SJ	IS61C1024-15J
GVT72024A8-15SJI	IS61C1024-15JI
GVT72024A8-15TS	IS61C1024-15T
GVT72024A8-15TSI	IS61C1024-15TI
GVT72024A8-20J	IS61C1024-20K
GVT72024A8-20SJ	IS61C1024-20J
GVT72024A8-20TS	IS61C1024-20T
GVT7264A16	IS61C6416
GVT7264A16-10J	IS61C6416-10K
GVT7264A16-10TS	IS61C6416-10T
GVT7264A16-12J	IS61C6416-12K

GALVANTECH	ISSI
GVT7264A16-12TS	IS61C6416-12T
GVT7264A16-15J	IS61C6416-15K
GVT7264A16-15TS	IS61C6416-15T
GVT7264A16-20J	IS61C6416-20K
GVT7264A16-20TS	IS61C6416-20T
GVT73128A16	IS61LV12816
GVT73128A16J-10	IS61LV12816-10K
GVT73128A16J-10I	IS61LV12816-10KI
GVT73128A16J-12	IS61LV12816-12K
GVT73128A16J-12I	IS61LV12816-12KI
GVT73128A16J-15	IS61LV12816-15K
GVT73128A16J-15I	IS61LV12816-15KI
GVT73128A16TS-10	IS61LV12816-10T
GVT73128A16TS-10I	IS61LV12816-10TI
GVT73128A16TS-12	IS61LV12816-12T
GVT73128A16TS-12I	IS61LV12816-12TI
GVT73128A16TS-15	IS61LV12816-15T
GVT73128A16TS-15I	IS61LV12816-15TI
GVT73128A8	IS63LV1024
GVT73128A8-10J	IS63LV1024-10K
GVT73128A8-10SJ	IS63LV1024-10J
GVT73128A8-10TS	IS63LV1024-10T
GVT73128A8-12J	IS63LV1024-12K
GVT73128A8-12SJ	IS63LV1024-12J
GVT73128A8-12TS	IS63LV1024-12T
GVT73128A8-15J	IS63LV1024-15K
GVT73128A8-15SJ	IS63LV1024-15J
GVT73128A8-15TS	IS63LV1024-15T
GVT73256A16	IS61LV25616
GVT73256A16-10J	IS61LV25616-10K
GVT73256A16-10TS	IS61LV25616-10T
GVT73256A16-12J	IS61LV25616-12K
GVT73256A16-12TS	IS61LV25616-12T
GVT73256A16-15J	IS61LV25616-15K
GVT73256A16-15TS	IS61LV25616-15T
GVT73256A16J-12	IS61LV25616-12K
GVT73256A16J-15	IS61LV25616-12K
GVT73256A16TS-12	IS61LV25616-12T2
GVT73256A16TS-15	IS61LV25616-12T2
GVT73512A8J-12	IS61LV5128-12K
GVT73512A8J-15	IS61LV5128-12K
GVT7364A16	IS61LV6416
GVT7364A16-10J	IS61LV6416-10K
GVT7364A16-10TS	IS61LV6416-10T
GVT7364A16-12J	IS61LV6416-12K
GVT7364A16-12TS	IS61LV6416-12T
GVT7364A16-15J	IS61LV6416-15K
GVT7364A16-15TS	IS61LV6416-15T
GVT7364A16-20J	IS61LV6416-20K
GVT7364A16-20TS	IS61LV6416-20T
GVT7364A16J-15	IS62LV6416LL-15K
GVT7364A16J-20	IS62LV6416LL-20K
GVT7364A16TS-15	IS62LV6416LL-15T2
GVT7364A16TS-20	IS62LV6416LL-20T2

GOLDSTAR	ISSI
PACKAGE SYMBOL	
J K	SOJ (400mil)
TS T	TSOP
GM76C256L-10	IS62C256-100W
GM76C256L-12	IS62C256-100W
GM76C256L-15	IS62C256-100W
GM76C256LFW-10	IS62C256-100U
GM76C256LFW-12	IS62C256-100U
GM76C256LFW-15	IS62C256-100U
GSI	
PACKAGE SYMBOL	
SJ J	SOJ (300mil)
J K	SOJ (400mil)
T TQ	TQFP
TP T	TSOP
U B	BallGridArray
81132Q-5	IS61C632A-5PQ
81132Q-6	IS61C632A-6PQ
81132T-5	IS61C632A-5TQ
81132T-6	IS61C632A-6TQ
811V32Q-5	IS61LV632A-5PQ
811V32Q-6	IS61LV632A-6PQ
811V32T-5	IS61LV632A-5TQ
811V32T-6	IS61LV632A-6TQ
82032Q-10	IS61SF6432-10PQ
82032Q-100	IS61S6432-5PQ
82032Q-117	IS61S6432-117PQ
82032Q-133	IS61S6432-133PQ
82032Q-66	IS61S6432-6PQ
82032T-10	IS61SF6432-10TQ
82032T-100	IS61S6432-5TQ
82032T-117	IS61S6432-117TQ
82032T-133	IS61S6432-133TQ
82032T-66	IS61S6432-6TQ
820V32Q-5	IS61LV6432-5PQ
820V32Q-6	IS61LV6432-6PQ
820V32T-5	IS61LV6432-5TQ
820V32T-6	IS61LV6432-6TQ
84018B-10	IS61SF25618-10B
84018B-100	IS61SP25618-5B
84018B-150	IS61SP25618-150B
84018B-166	IS61SP25618-166B
84018B-7.5	IS61SF25618-7.5B
84018B-8	IS61SF25618-8B
84018B-8.5	IS61SF25618-8.5B
84018T-10	IS61SF25618-10TQ
84018T-100	IS61SP25618-5TQ
84018T-150	IS61SP25618-150TQ
84018T-166	IS61SP25618-166TQ
84018T-7.5	IS61SF25618-7.5TQ
84018T-8	IS61SF25618-8TQ
84018T-8.5	IS61SF25618-8.5TQ
84032B-100	IS61SP12832-5B

SRAM

GSI	ISSI
84032B-150	IS61SP12832-150B
84032B-166	IS61SP12832-166B
84032T-10	IS61SF12832-10TQ
84032T-100	IS61SP12832-5TQ
84032T-150	IS61SP12832-150TQ
84032T-166	IS61SP12832-166TQ
84032T-9	IS61SF12832-9TQ
84036B-10	IS61SF12836-10B
84036B-100	IS61SP12836-5B
84036B-150	IS61SP12836-150B
84036B-166	IS61SP12836-166B
84036B-7.5	IS61SF12836-7.5B
84036B-8	IS61SF12836-8B
84036B-9	IS61SF12836-8.5B
84036T-10	IS61SF12836-10TQ
84036T-100	IS61SP12836-5TQ
84036T-150	IS61SP12836-150TQ
84036T-166	IS61SP12836-166TQ
84036T-7.5	IS61SF12836-7.5TQ
84036T-8	IS61SF12836-8TQ
84036T-9	IS61SF12836-8.5TQ
GS70328	IS61C256AH
GS70328SJ-10	IS61C256AH-10J
GS70328SJ-10	IS61C256AH-10T
GS70328SJ-8	IS61C256AH-8JR
GS71024	IS61LV6424
GS71024T-10	IS61LV6424-10T
GS71024T-12	IS61LV6424-12T
GS71024T-15	IS61LV6424-15T
GS71108	IS63LV1024
GS71108J-10	IS63LV1024-10K
GS71108J-12	IS63LV1024-12K
GS71108J-15	IS63LV1024-15K
GS71108SJ-10	IS63LV1024-10J
GS71108SJ-12	IS63LV1024-12J
GS71108SJ-15	IS63LV1024-15J
GS71108TP-10	IS63LV1024-10T
GS71108TP-12	IS63LV1024-12T
GS71108TP-15	IS63LV1024-15T
GS71116	IS61LV6416
GS71116J-10	IS61LV6416-10K
GS71116J-12	IS61LV6416-12K
GS71116J-15	IS61LV6416-15K
GS71116TP-10	IS61LV6416-10T
GS71116TP-12	IS61LV6416-12T
GS71116TP-15	IS61LV6416-15T
GS71116U-10	IS61LV6416-10B
GS71116U-12	IS61LV6416-12B
GS71116U-15	IS61LV6416-15B
GS72116	IS61LV12816
GS72116J-10	IS61LV12816-10K
GS72116J-10I	IS61LV12816-10KI
GS72116J-12	IS61LV12816-12K
GS72116J-12I	IS61LV12816-12KI

GSI	ISSI
GS72116J-15	IS61LV12816-15K
GS72116J-15I	IS61LV12816-15KI
GS72116TP-10	IS61LV12816-10T
GS72116TP-10I	IS61LV12816-10TI
GS72116TP-12	IS61LV12816-12T
GS72116TP-12I	IS61LV12816-12TI
GS72116TP-15	IS61LV12816-15T
GS72116TP-15I	IS61LV12816-15TI
GS72116U-10	IS61LV12816-10B
GS72116U-10I	IS61LV12816-10BI
GS72116U-12	IS61LV12816-12B
GS72116U-12I	IS61LV12816-12BI
GS72116U-15	IS61LV12816-15B
GS72116U-15I	IS61LV12816-15BI
GS73024T	IS61LV12824
GS73024T-10	IS61LV12824-10TQ
GS73024T-10I	IS61LV12824-10TQI
GS73024T-12	IS61LV12824-12TQ
GS73024T-12I	IS61LV12824-12TQI
GS73024T-15	IS61LV12824-15TQ
GS73024T-15I	IS61LV12824-15TQI
GS73024T-8	IS61LV12824-8TQ
GS74108	IS61LV5128
GS74108J-10	IS61LV5128-10K
GS74108J-12	IS61LV5128-12K
GS74108J-15	IS61LV5128-15K
GS74108TP-10	IS61LV5128-10T
GS74108TP-12	IS61LV5128-12T
GS74108TP-15	IS61LV5128-15T
GS74116	IS61LV25616
GS74116J-10	IS61LV25616-10K
GS74116J-12	IS61LV25616-12K
GS74116J-15	IS61LV25616-15K
GS74116TP-10	IS61LV25616-10T
GS74116TP-12	IS61LV25616-12T
GS74116TP-15	IS61LV25616-15T
GS81132Q-4.5	IS61C632A-4PQ
GS81132Q-4.5	IS61LV632A-4PQ
GS81132Q-5	IS61C632A-5PQ
GS81132Q-5	IS61LV632A-5PQ
GS81132Q-6	IS61C632A-6PQ
GS81132Q-6	IS61LV632A-6PQ
GS81132T-4.5	IS61C632A-4TQ
GS81132T-4.5	IS61LV632A-4TQ
GS81132T-5	IS61C632A-5TQ
GS81132T-5	IS61LV632A-5TQ
GS81132T-6	IS61C632A-6TQ
GS81132T-6	IS61LV632A-6TQ
GS82032Q-5	IS61S6432-4.8PQ
GS82032Q-5	IS61S6432-5PQ
GS82032Q-6	IS61S6432-6PQ
GS82032T-5	IS61S6432-4.8TQ
GS82032T-5	IS61S6432-5TQ
GS82032T-6	IS61S6432-6TQ

GSI	ISSI
GS84018B-3.5	IS61SP25618-3.5B
GS84018B-3.8	IS61SP25618-3.8B
GS84018B-4	IS61SP25618-4B
GS84018B-4.5	IS61SP25618-4B
GS84018T-3.5	IS61SP25618-3.5TQ
GS84018T-3.8	IS61SP25618-3.8TQ
GS84018T-4	IS61SP25618-4TQ
GS84018T-4.5	IS61SP25618-4TQ

HITACHI	ISSI
PACKAGE SYMBOL	
P W	PDIP (600mil)
JP K	SOJ (400mil)
H K	SOJ (400mil)
FP U	SOP
FP Q	SOP
T T	TSOP
JP J	SOJ (300mil)

HM621664HJP-20	IS61C6416-20K
HM621664HJP-25	IS61C6416-20K
HM62256AFP-10	IS62C256-100U
HM62256AFP-12	IS62C256-100U
HM62256AFP-15	IS62C256-100U
HM62256AFP-8	IS62C256-70U
HM62256ALT-10	IS62C256-100T
HM62256ALT-12	IS62C256-100T
HM62256ALT-15	IS62C256-100T
HM62256ALT-8	IS62C256-70T
HM62256AP-10	IS62C256-100W
HM62256AP-12	IS62C256-100W
HM62256AP-15	IS62C256-100W
HM62256AP-8	IS62C256-70W
HM62256BFP-10	IS62C256-100U
HM62256BFP-12	IS62C256-100U
HM62256BFP-15	IS62C256-100U
HM62256BFP-8	IS62C256-70U
HM62256BLT-10	IS62C256-100T
HM62256BLT-12	IS62C256-100T
HM62256BLT-15	IS62C256-100T
HM62256BLT-8	IS62C256-70T
HM62256BP-10	IS62C256-100W
HM62256BP-12	IS62C256-100W
HM62256BP-15	IS62C256-100W
HM62256BP-8	IS62C256-70W
HM62256FP-10	IS62C256-100U
HM62256FP-12	IS62C256-100U
HM62256FP-15	IS62C256-100U
HM62256FP-8	IS62C256-70U
HM62256P-10	IS62C256-100W
HM62256P-12	IS62C256-100W
HM62256P-15	IS62C256-100W
HM62256P-8	IS62C256-70W
HM6264BFP-10	IS62C64-100U
HM6264BFP-12	IS62C64-100U
HM6264BFP-15	IS62C64-100U

SRAM

HITACHI	ISSI
HM6264BP-10	IS62C64-100W
HM6264BP-12	IS62C64-100W
HM6264BP-15	IS62C64-100W
HM628127HBJP-15	IS61C1024-15J
HM628127HBJP-17	IS61C1024-15J
HM628127HBJP-20	IS61C1024-20J
HM628127HBJP-25	IS61C1024-25J
HM628127HJP-15	IS61C1024-15J
HM628127HJP-17	IS61C1024-15J
HM628127HJP-20	IS61C1024-20J
HM628127HJP-25	IS61C1024-25J
HM628128AFP-10	IS62C1024-70Q
HM628128AFP-12	IS62C1024-70Q
HM628128AFP-5	IS62C1024-55Q
HM628128AFP-7	IS62C1024-70Q
HM628128AFP-8	IS62C1024-70Q
HM628128ALFP-10	IS62C1024L-70Q
HM628128ALFP-5	IS62C1024L-55Q
HM628128ALFP-7	IS62C1024L-70Q
HM628128ALFP-8	IS62C1024L-70Q
HM628128ALP-10	IS62C1024L-70W
HM628128ALP-5	IS62C1024L-55W
HM628128ALP-7	IS62C1024L-70W
HM628128ALP-8	IS62C1024L-70W
HM628128ALT-10	IS62C1024L-70T
HM628128ALT-5	IS62C1024L-55T
HM628128ALT-7	IS62C1024L-70T
HM628128ALT-8	IS62C1024L-70T
HM628128AP-10	IS62C1024-70W
HM628128AP-12	IS62C1024-70W
HM628128AP-5	IS62C1024-55W
HM628128AP-7	IS62C1024-70W
HM628128AP-8	IS62C1024-70W
HM628128AT-10	IS62C1024-70T
HM628128AT-12	IS62C1024-70T
HM628128AT-5	IS62C1024-55T
HM628128AT-7	IS62C1024-70T
HM628128AT-8	IS62C1024-70T
HM628128BFP-10	IS62C1024-70Q
HM628128BFP-12	IS62C1024-70Q
HM628128BFP-5	IS62C1024-55Q
HM628128BFP-7	IS62C1024-70Q
HM628128BFP-8	IS62C1024-70Q
HM628128BLFP-10	IS62C1024L-70Q
HM628128BLFP-5	IS62C1024L-55Q
HM628128BLFP-7	IS62C1024L-70Q
HM628128BLFP-8	IS62C1024L-70Q
HM628128BLP-10	IS62C1024L-70W
HM628128BLP-5	IS62C1024L-55W
HM628128BLP-7	IS62C1024L-70W
HM628128BLP-8	IS62C1024L-70W
HM628128BLT-10	IS62C1024L-70T
HM628128BLT-5	IS62C1024L-55T
HM628128BLT-7	IS62C1024L-70T
HM628128BLT-8	IS62C1024L-70T

HITACHI	ISSI
HM628128BP-10	IS62C1024-70W
HM628128BP-12	IS62C1024-70W
HM628128BP-5	IS62C1024-55W
HM628128BP-7	IS62C1024-70W
HM628128BP-8	IS62C1024-70W
HM628128BT-10	IS62C1024-70T
HM628128BT-12	IS62C1024-70T
HM628128BT-5	IS62C1024-55T
HM628128BT-7	IS62C1024-70T
HM628128BT-8	IS62C1024-70T
HM628128FP-10	IS62C1024-70Q
HM628128FP-12	IS62C1024-70Q
HM628128FP-7	IS62C1024-70Q
HM628128FP-8	IS62C1024-70Q
HM628128LFP-10	IS62C1024L-70Q
HM628128LFP-7	IS62C1024L-70Q
HM628128LFP-8	IS62C1024L-70Q
HM628128LP-10	IS62C1024L-70W
HM628128LP-7	IS62C1024L-70W
HM628128LP-8	IS62C1024L-70W
HM628128LT-10	IS62C1024L-70T
HM628128LT-7	IS62C1024L-70T
HM628128LT-8	IS62C1024L-70T
HM628128P-10	IS62C1024-70W
HM628128P-12	IS62C1024-70W
HM628128P-7	IS62C1024-70W
HM628128P-8	IS62C1024-70W
HM628128T-10	IS62C1024-70T
HM628128T-12	IS62C1024-70T
HM628128T-7	IS62C1024-70T
HM628128T-8	IS62C1024-70T
HM62832HJP-25	IS61C256AH-20J
HM62832HJP-35	IS61C256AH-20J
HM62832HP-25	IS61C256AH-20N
HM62832HP-35	IS61C256AH-20N
HM62832UHJP-15	IS61C256AH-15J
HM62832UHP-15	IS61C256AH-15N
HM62832UHP-20	IS61C256AH-20J
HM62832UHP-20	IS61C256AH-20N
HM62W256LT-7	IS62LV256-70T
HM62W256LT-8	IS62LV256-70T
HM62W8127HJP-25	IS63LV1024-25K
HM62W832JP-20	IS61LV256-20J
HM62W832JP-25	IS61LV256-25J
HM678127UH-12	IS61C1024-12K
HM67S18258BP-7	IS61SP25618-3.5B
HM67S36130BP-7	IS61SP12836-3.5B

HYUNDAI	ISSI
PACKAGE SYMBOL	
P N	DIP (300mil)
P W	DIP (600mil)
J J	SOJ
J U	SOP
G Q	SOP
T1 T	TSOP
62V256B	IS62LV256
62V256BLLJ1-85	IS62LV256-70U
62V256BLLT1-85	IS62LV256-70T
62V8100ALL	IS62LV1024LL
62V8100ALLST-85	IS62LV1024LL-70H
62V8100ALLT1-85	IS62LV1024LL-70T
HY62256ALJ-10	IS62C256-100U
HY62256ALJ-55	IS62C256-45U
HY62256ALJ-70	IS62C256-70U
HY62256ALP-10	IS62C256-100W
HY62256ALP-70	IS62C256-70W
HY62256ALT1-10	IS62C256-100T
HY62256ALT1-10I	IS62C256-100TI
HY62256ALT1-70	IS62C256-70T
HY62256ALT1-70I	IS62C256-70TI
HY6281000LG-100	IS62C1024-70Q
HY6281000LG-120	IS62C1024-70Q
HY6281000LG-55	IS62C1024-55Q
HY6281000LG-70	IS62C1024-70Q
HY6281000LP-100	IS62C1024-70W
HY6281000LP-120	IS62C1024-70W
HY6281000LP-55	IS62C1024-55W
HY6281000LP-70	IS62C1024-70W
HY6281000LT1-100	IS62C1024-70T
HY6281000LT1-100I	IS62C1024-70TI
HY6281000LT1-120	IS62C1024-70T
HY6281000LT1-120I	IS62C1024-70TI
HY6281000LT1-55	IS62C1024-55T
HY6281000LT1-70	IS62C1024-70T
HY6281000LT1-70I	IS62C1024-70TI
HY62UF16100LLM-100	IS62V6416LL-100B
HY62UF16100LLM-100I	IS62V6416LL-100BI
HY62UF16100LLM-70	IS62V6416LL-70B
HY62UF16100LLM-70I	IS62V6416LL-70BI
HY62UF16100LLM-85	IS62V6416LL-70B
HY62UF16100LLM-85I	IS62V6416LL-70BI
HY62UF16100SLM-100	IS62V6416LL-100B
HY62UF16100SLM-100I	IS62V6416LL-100BI
HY62UF16100SLM-70I	IS62V6416LL-70BI
HY62UF16100SLM-70I	IS62V6416LL-70BI
HY62UF16100SLM-85	IS62V6416LL-70B
HY62UF16100SLM-85I	IS62V6416LL-70BI
HY62UF16101LLM-100	IS62V6416LL-100B
HY62UF16101LLM-100I	IS62V6416LL-100BI
HY62UF16101LLM-120	IS62V6416LL-120B
HY62UF16101LLM-120I	IS62V6416LL-120BI
HY62UF16101LLM-150	IS62V6416LL-120B

SRAM

HYUNDAI	ISSI
HY62UF16101LLM-150I	IS62V6416LL-120BI
HY62UF16200LL	IS62LV12816L
HY62UF16200LLM-100	IS62LV12816L-100B
HY62UF16200LLM-100I	IS62LV12816L-100BI
HY62UF16200LLM-70	IS62LV12816L-70B
HY62UF16200LLM-70I	IS62LV12816L-70BI
HY62UF16200LLM-85	IS62LV12816L-70B
HY62UF16200LLM-85I	IS62LV12816L-70BI
HY62UF16200SLM-100	IS62LV12816LL-100B
HY62UF16200SLM-100I	IS62LV12816LL-100BI
HY62UF16200SLM-70	IS62LV12816LL-70B
HY62UF16200SLM-70I	IS62LV12816LL-70BI
HY62UF16200SLM-85	IS62LV12816LL-70B
HY62UF16200SLM-85I	IS62LV12816LL-70BI
HY62V16100L	IS62V6416LL
HY62V16100LLT2-100	IS62V6416LL-100T
HY62V16100LLT2-100I	IS62V6416LL-100TI
HY62V16100LLT2-120	IS62V6416LL-120T
HY62V16100LLT2-120I	IS62V6416LL-120TI
HY62V16100LLT2-85	IS62V6416LL-70T
HY62V16100LLT2-85I	IS62V6416LL-70TI
HY62V16100LT2-100	IS62V6416LL-100T
HY62V16100LT2-100I	IS62V6416LL-100TI
HY62V16100LT2-120	IS62V6416LL-120T
HY62V16100LT2-120I	IS62V6416LL-120TI
HY62V16100LT2-85	IS62V6416LL-70T
HY62V16100LT2-85I	IS62V6416LL-70TI
HY62V8100ALG-55	IS62LV1024-55Q
HY62V8100ALG-70	IS62LV1024-70Q
HY62V8100ALT1-55	IS62LV1024-55T
HY62V8100ALT1-70	IS62LV1024-70T
HY63256J-15	IS61C256AH-15J
HY63256J-20	IS61C256AH-20J
HY63256J-25	IS61C256AH-20J
HY63256LJ-15	IS61C256AH-15J
HY63256LJ-20	IS61C256AH-20J
HY63256LJ-25	IS61C256AH-20J
HY63256LP-15	IS61C256AH-15N
HY63256LP-20	IS61C256AH-20N
HY63256LP-25	IS61C256AH-20N
HY63256LT1-15	IS61C256AH-15T
HY63256LT1-20	IS61C256AH-20T
HY63256LT1-25	IS61C256AH-20T
HY63256P-15	IS61C256AH-15N
HY63256P-20	IS61C256AH-20N
HY63256P-25	IS61C256AH-20N
HY63256T1-15	IS61C256AH-15T
HY63256T1-20	IS61C256AH-20T
HY63256T1-25	IS61C256AH-20T
HY638100	IS61C1024
HY638100J-15	IS61C1024-15J
HY638100J-20	IS61C1024-20J
HY638100T1-15	IS61C1024-15T
HY638100T1-20	IS61C1024-20T

IDT	ISSI
PACKAGE SYMBOL	
P M	PDIP (400mil)
P W	PDIP (600mil)
Y J	SOJ (300mil)
Y K	SOJ (400mil)
TP N	PDIP (300mil)
TY J	SOJ (300mil)
TF TQ	TSOP
PF PQ	TQFP
71016	IS61C6416
71016-12PH	IS61C6416-12T
71016-12Y	IS61C6416-12K
71016-15PH	IS61C6416-15T
71016-15Y	IS61C6416-15K
71V016S	IS61LV6416
71V016S-12BF	IS61LV6416-12B
71V016S-12PH	IS61LV6416-12T
71V016S-12Y	IS61LV6416-12K
71V016S-15BF	IS61LV6416-15B
71V016S-15PH	IS61LV6416-15T
71V016S-15Y	IS61LV6416-15K
71V016S-20PH	IS61LV6416-20T
71V016S-20Y	IS61LV6416-20K
71V2578, (133PF)	IS61SP25618-133TQ
71V2578, (150PF)	IS61SP25618-150TQ
71V2578,71V3578 (133BG)	IS61SP25618-133B
71V2578,71V3578 (166BG)	IS61SP25618-166B
71V2578,71V3578 (150BG)	IS61SP25618-150B
71V2578,71V3578 (166PF)	IS61SP25618-166TQ
71V2579,713579 (75BG)	IS61SF25618-7.5B
71V2579,713579 (75PF)	IS61SF25618-7.5TQ
71V2579,713579 (80BG)	IS61SF25618-8B
71V2579,713579 (80PF)	IS61SF25618-8TQ
71V2579,713579 (85BG)	IS61SF25618-8.5B
71V2579,713579 (85PF)	IS61SF25618-8.5TQ
71V3576-133BG	IS61SP12836-133B
71V3576-133PF	IS61SP12836-133TQ
71V3576-150BG	IS61SP12836-150B
71V3576-150PF	IS61SP12836-150TQ
71V3576-166BG	IS61SP12836-166B
71V3576-166PF	IS61SP12836-166TQ
71V3577-75BG	IS61SF12836-7.5B
71V3577-75PF	IS61SF12836-7.5TQ
71V3577-80BG	IS61SF12836-8B
71V3577-80PF	IS61SF12836-8TQ
71V3577-85BG	IS61SF12836-8.5B
71V3577-85PF	IS61SF12836-8.5TQ
71V424S	IS61LV5128
71V424S-10PH	IS61LV5128-10T
71V424S-10Y	IS61LV5128-10K

IDT	ISSI
71V424S-12PH	IS61LV5128-12T
71V424S-12Y	IS61LV5128-12K
71V424S-15PH	IS61LV5128-15T
71V424S-15Y	IS61LV5128-15K
71V4326-PF	IS61C632A-6TQ
71V4326-PF	IS61C632A-7TQ
71V6324A-PF	IS61S6432-117TQ
71V6324-PF	IS61S6432-133TQ
71V6325-PF	IS61S6432-5TQ
71V6326-PF	IS61S6432-6TQ
71V6327-PF	IS61S6432-7TQ
DT71256S-25TP	IS61C256AH-20N
DT71V256SA-20Y	IS61LV256-20J
IDT71024S-15P	IS61C1024-15M
IDT71024S-15TY	IS61C1024-15J
IDT71024S-15Y	IS61C1024-15K
IDT71024S-17P	IS61C1024-15M
IDT71024S-17TY	IS61C1024-15J
IDT71024S-17Y	IS61C1024-15K
IDT71024S-20P	IS61C1024-20M
IDT71024S-20TY	IS61C1024-20J
IDT71024S-20Y	IS61C1024-20K
IDT71024S-25P	IS61C1024-25M
IDT71024S-25TY	IS61C1024-25J
IDT71024S-25Y	IS61C1024-25K
IDT71256L-100P	IS62C256-100W
IDT71256L-45P	IS62C256-45W
IDT71256L-70P	IS62C256-70W
IDT71256S-100P	IS62C256-100W
IDT71256S-20TP	IS61C256AH-20N
IDT71256S-20Y	IS61C256AH-20J
IDT71256S-25Y	IS61C256AH-20J
IDT71256S-35TP	IS61C256AH-20N
IDT71256S-35Y	IS61C256AH-20J
IDT71256S-45P	IS62C256-45W
IDT71256S-70P	IS62C256-70W
IDT71256SA-12TP	IS61C256AH-12N
IDT71256SA-12Y	IS61C256AH-12J
IDT71256SA-15TP	IS61C256AH-15N
IDT71256SA-15Y	IS61C256AH-15J
IDT71256SA-20Y	IS61C256AH-20J
IDT71256SA-25TP	IS61C256AH-20N
IDT71256SA-25Y	IS61C256AH-20J
IDT71256SB-15	IS62LV256L-15J
IDT71256SB-20	IS62LV256L-15T1
IDT7164L-15TP	IS61C64AH-15N
IDT7164L-15Y	IS61C64AH-15J
IDT7164L-20TP	IS61C64AH-20N
IDT7164L-20Y	IS61C64AH-20J
IDT7164L-25TP	IS61C64AH-25N
IDT7164L-25Y	IS61C64AH-25J
IDT7164S-15TP	IS61C64AH-15N
IDT7164S-15Y	IS61C64AH-15J
IDT7164S-20TP	IS61C64AH-20N

SRAM

IDT	ISSI
IDT7164S-20Y	IS61C64AH-20J
IDT7164S-25TP	IS61C64AH-25N
IDT7164S-25Y	IS61C64AH-25J
IDT71LO24-10	IS62LV1024L-70T1
IDT71LO24-70	IS62LV1024L-70T1
IDT71LO24-70	IS62LV256L-20T1
IDT71LO24-70	IS62LV256L-20Z2
IDT71V016SA-15	IS62LV6416LL-15K
IDT71V016SA-15	IS62LV6416LL-15T2
IDT71V016SA-20	IS62LV6416LL-20K
IDT71V016SA-20	IS62LV6416LL-20T2
IDT71V256SA-25Y	IS61LV256-25J
IDT71V416-10	IS61LV25616-10K
IDT71V416-10	IS61LV25616-10T2
IDT71V416-12	IS61LV25616-12K
IDT71V416-12	IS61LV25616-12T2
IDT71V416-15	IS61LV25616-15K
IDT71V416-15	IS61LV25616-15T2
IDT71V432-10PF	IS61C632A-8PQ
IDT71V432-12PF	IS61C632A-8PQ
IDT71V432-6	IS61C632A-6TQ
IDT71V432-6.5	IS61C632A-6TQ
IDT71V432-7	IS61C632A-7TQ
IDT71V432-9PF	IS61C632A-8PQ
IDT71V433-10	IS61C632A-8TQ
IDT71V546-4.5	IS61NW12836-4.5TQ
IDT71V546-5	IS61NW12836-5TQ
IDT71V546-6	IS61NW12836-5TQ
IDT71V632-5	IS61S6432-5TQ
IDT71V632-6	IS61S6432-6TQ
IDT71V632-7	IS61S6432-7TQ
LOGIC DEVICES	ISSI
PACKAGE SYMBOL	
P N	PDIP (300mil)
P M	PDIP (400mil)
W J	SOJ (300mil)
W K	SOJ (400mil)
L7C108PC17	IS61C1024L-15M
L7C108PC20	IS61C1024L-20M
L7C108PC25	IS61C1024L-25M
L7C108WC17	IS61C1024L-15K
L7C108WC20	IS61C1024L-20K
L7C108WC25	IS61C1024L-25K
L7C108WI17	IS61C1024L-15KI
L7C108WI20	IS61C1024L-20KI
L7C108WI25	IS61C1024L-25KI
L7C109PC17	IS61C1024L-15M
L7C109PC20	IS61C1024L-20M
L7C109PC25	IS61C1024L-25M
L7C109WC17	IS61C1024L-15K
L7C109WC20	IS61C1024L-20K
L7C109WC25	IS61C1024L-25K
L7C109WI17	IS61C1024L-15KI

LOGIC DEVICES	ISSI
L7C109WI20	IS61C1024L-20KI
L7C109WI25	IS61C1024L-25KI
L7C185PC12	IS61C64AH-12N
L7C185PC15	IS61C64AH-15N
L7C185PC20	IS61C64AH-20N
L7C185WC12	IS61C64AH-12J
L7C185WC15	IS61C64AH-15J
L7C185WC20	IS61C64AH-20J
L7C199PC15	IS61C256AH-15N
L7C199PC20	IS61C256AH-20N
L7C199PC25	IS61C256AH-20N
L7C199PI15	IS61C256AH-15NI
L7C199PI20	IS61C256AH-20NI
L7C199PI25	IS61C256AH-20NI
L7C199WC15	IS61C256AH-15J
L7C199WC20	IS61C256AH-20J
L7C199WC25	IS61C256AH-20J
L7C199WI15	IS61C256AH-15JI
L7C199WI20	IS61C256AH-20JI
L7C199WI25	IS61C256AH-20JI
MATRA MHS	ISSI
PACKAGE SYMBOL	
3P N	PDIP (300mil)
CP N	PDIP (300mil)
CI N	PDIP (300mil)
3E W	DIP (600mil)
U1 J	SOJ (300mil)
TP U	SOP (450mil)
T1 Q	SOP (525mil)
CL3P-65756-45	IS62LV256-45N
CL3P-65756-55	IS62LV256-45N
CL3PL-65756-25	IS61LV256-25N
CL3PL-65756-35	IS61LV256-25N
CLU1L-65756-25	IS61LV256-25J
CLU1L-65756-35	IS61LV256-25J
CLUI-65656L-100	IS62LV256-100J
CLUI-65656L-70	IS62LV256-70J
CLUI-65656L-80	IS62LV256-70J
CLUI-65656L-85	IS62LV256-70J
CLUI-65756-45	IS62LV256-45J
CLUI-65756-55	IS62LV256-45J
CM39-65608L-25	IS61C1024L-25K
CM39-65608L-30	IS61C1024L-25K
CM39-65608L-35	IS61C1024L-25K
CMCI-65656L-45	IS62C256-45W
CMCI-65656L-55	IS62C256-45W
CMU1-65608L-25	IS61C1024L-25M
CMU1-65608L-30	IS61C1024L-25M
CMU1-65608L-35	IS61C1024L-25M
HM3-65756F-5	IS61C256AH-20N
HM3-65756H-5	IS61C256AH-20N
HM3-65756K-5	IS61C256AH-20N
HM3-65764F-5	IS61C64AH-20N

MATRA MHS	ISSI
HM3-65764H-5	IS61C64AH-25N
HM3-65764K-5	IS61C64AH-25N
HM3-65765E-5	IS61C64AH-15N
HM3E-65664AT-5	IS62C64-45W
HM3E-65756M-5	IS62C256-45W
HM3E-65756N-5	IS62C256-45W
HM3E-65764-M-5	IS62C64-45W
HM3E-65764-N-5	IS62C64-45W
HMU-65756F-5	IS61C256AH-20J
HMU-65756H-5	IS61C256AH-20J
HMU-65756K-5	IS61C256AH-20J
HMU-65764E-5	IS61C64AH-15J
HMU-65764F-5	IS61C64AH-20J
HMU-65764H-5	IS61C64AH-25J
HMU-65764K-5	IS61C64AH-25J
ILUI-65656L-100	IS62LV256-100JI
ILUI-65656L-70	IS62LV256-70JI
ILUI-65656L-80	IS62LV256-70JI
ILUI-65656L-85	IS62LV256-70JI
IM39-65608L-25	IS61C1024L-25KI
IM39-65608L-30	IS61C1024L-25KI
IM39-65608L-35	IS61C1024L-25KI
MICRON	ISSI
PACKAGE SYMBOL	
— N	PDIP (300mil)
SJ J	SOJ (300mil)
DJ J	SOJ (300mil)
DJ K	SOJ (400mil)
LG TQ	TQFP
55L64L32P-T10	IS61NW6432-5TQ
58L128L32F-B10	IS61SF12832-10B
58L128L32F-B7.5	IS61SF12832-7.5B
58L128L32F-B8.5	IS61SF12832-8.5B
58L128L32F-T10	IS61SF12832-10TQ
58L128L32F-T7.5	IS61SF12832-7.5TQ
58L128L32F-T8.5	IS61SF12832-8.5TQ
58L128L32P-B10	IS61SP12832-5B
58L128L32P-B6	IS61SP12832-166B
58L128L32P-B7.5	IS61SP12832-133B
58L128L32P-T10	IS61SP12832-5TQ
58L128L32P-T6	IS61SP12832-166TQ
58L128L32P-T7.5	IS61SP12832-133TQ
58L128L36F-B10	IS61SF12836-10B
58L128L36F-B7.5	IS61SF12836-7.5B
58L128L36F-B8.5	IS61SF12836-8.5B
58L128L36F-T10	IS61SF12836-10TQ
58L128L36F-T7.5	IS61SF12836-7.5TQ
58L128L36F-T8.5	IS61SF12836-8.5TQ
58L128L36P-B10	IS61SP12836-5B
58L128L36P-B6	IS61SP12836-166B
58L128L36P-B7.5	IS61SP12836-133B
58L128L36P-T10	IS61SP12836-5TQ
58L128L36P-T6	IS61SP12836-166TQ

SRAM

MICRON	ISSI	MICRON	ISSI	MICRON	ISSI
58L128L36P-T7.5	IS61SP12836-133TQ	MT58LC128K36D9BG-4.2	IS61SP12836-4B	MT58LC64K36D9LG-6	IS61SP6436-6TQ
58L256L18F-B10	IS61SF25618-10B	MT58LC128K36D9BG-4.5	IS61SP12836-4B	MT58LC64K36D9LG-7	IS61SP6436-7TQ
58L256L18F-B7.5	IS61SF25618-7.5B	MT58LC128K36D9BG-6	IS61SP12836-5B	MT5C1008-15	IS61C1024-15N
58L256L18F-T10	IS61SF25618-10TQ	MT58LC128K36D9LG-3.5	IS61SP12836-3.5TQ	MT5C1008-15IT	IS61C1024-15NI
58L256L18F-T7.5	IS61SF25618-7.5TQ	MT58LC128K36D9LG-3.8	IS61SP12836-3.8TQ	MT5C1008-20	IS61C1024-20N
58L256L18F-T8.5	IS61SF25618-8.5B	MT58LC128K36D9LG-4.2	IS61SP12836-4TQ	MT5C1008-20IT	IS61C1024-20NI
58L256L18F-T8.5	IS61SF25618-8.5TQ	MT58LC128K36D9LG-4.5	IS61SP12836-4TQ	MT5C1008-25	IS61C1024-25N
58L256L18P-B10	IS61SP25618-5B	MT58LC128K36D9LG-6	IS61SP12836-5TQ	MT5C1008-25IT	IS61C1024-25NI
58L256L18P-B6	IS61SP25618-166B	MT58LC256K18C6BG-3.5	IS61SP25618-3.5B	MT5C1008-35	IS61C1024-25N
58L256L18P-B7.5	IS61SP25618-133B	MT58LC256K18C6BG-3.8	IS61SP25618-3.8B	MT5C1008-35IT	IS61C1024-25NI
58L256L18P-T10	IS61SP25618-5TQ	MT58LC256K18C6BG-4.2	IS61SP25618-4B	MT5C1008DJ-15	IS61C1024-15K
58L256L18P-T6	IS61SP25618-166TQ	MT58LC256K18C6BG-4.5	IS61SP25618-4B	MT5C1008DJ-15IT	IS61C1024-15KI
58L256L18P-T7.5	IS61SP25618-133TQ	MT58LC256K18C6BG-6	IS61SP25618-5B	MT5C1008DJ-20	IS61C1024-20K
58LC32K32D9-LG10	IS61C632A-5TQ	MT58LC256K18C6LG-3.5	IS61SP25618-3.5TQ	MT5C1008DJ-20IT	IS61C1024-20KI
58LC32K32D9-LG11	IS61C632A-6TQ	MT58LC256K18C6LG-3.8	IS61SP25618-3.8TQ	MT5C1008DJ-25	IS61C1024-25K
58LC64K32B4-LG10	IS61SF6432-10TQ	MT58LC256K18C6LG-4.2	IS61SP25618-4TQ	MT5C1008DJ-25IT	IS61C1024-25KI
58LC64K32B4-LG9	IS61SF6432-9TQ	MT58LC256K18C6LG-4.5	IS61SP25618-4TQ	MT5C1008DJ-35	IS61C1024-25K
58LC64K32D9-LG10	IS61S6432-5TQ	MT58LC256K18C6LG-6	IS61SP25618-5TQ	MT5C1008DJ-35IT	IS61C1024-25KI
58LC64K32D9-LG11	IS61S6432-6TQ	MT58LC256K18G1BG-3.5	IS61SP25618-3.5B	MT5C1008SJ-15	IS61C1024-15J
58LC64K32D9-LG6	IS61S6432-166TQ	MT58LC256K18G1BG-3.8	IS61SP25618-3.8B	MT5C1008SJ-15IT	IS61C1024-15JI
58LC64K32D9-LG7.5	IS61S6432-133TQ	MT58LC256K18G1BG-4.2	IS61SP25618-4B	MT5C1008SJ-20	IS61C1024-20J
58LC64K32D9-LG8.5	IS61S6432-117TQ	MT58LC256K18G1BG-4.5	IS61SP25618-4B	MT5C1008SJ-20IT	IS61C1024-20JI
58LC64K32G1-LG10	IS61LV6432-5TQ	MT58LC256K18G1BG-6	IS61SP25618-5B	MT5C1008SJ-25	IS61C1024-25J
58LC64K32G1-LG11	IS61LV6432-6TQ	MT58LC256K18G1LG-3.5	IS61SP25618-3.5TQ	MT5C1008SJ-25IT	IS61C1024-25JI
58LC64K36B4-LG10	IS61SF6436-10TQ	MT58LC256K18G1LG-3.8	IS61SP25618-3.8TQ	MT5C1008SJ-35	IS61C1024-25J
58LC64K36B4-LG9	IS61SF6436-9TQ	MT58LC256K18G1LG-4.2	IS61SP25618-4TQ	MT5C1008SJ-35IT	IS61C1024-25JI
58LC64K36D9-LG10	IS61SP6436-5TQ	MT58LC256K18G1LG-4.5	IS61SP25618-4TQ	MT5C2568-10	IS61C256AH-10N
58LC64K36D9-LG11	IS61SP6436-6TQ	MT58LC256K18G1LG-6	IS61SP25618-5TQ	MT5C2568-10IT	IS61C256AH-10NI
58LC64K36D9-LG7.5	IS61S6436-133TQ	MT58LC32K32D8LG-4.5	IS61C632A-4TQ	MT5C2568-12	IS61C256AH-12N
58LC64K36D9-LG8.5	IS61SP6436-117TQ	MT58LC32K32D8LG-6	IS61C632A-6TQ	MT5C2568-12IT	IS61C256AH-12NI
MT55L128L32PLG-4.2	IS61NW12836-4.2TQ	MT58LC32K32D8LG-7	IS61C632A-7TQ	MT5C2568-15	IS61C256AH-15N
MT55L128L32PLG-4.5	IS61NW12836-4.5TQ	MT58LC32K32DLG-5	IS61C632A-5TQ	MT5C2568-15IT	IS61C256AH-15NI
MT55L128L32PLG-5	IS61NW12836-5TQ	MT58LC32K36A6LG-7	IS61C632A-7TQ	MT5C2568-20	IS61C256AH-20N
MT55L64L32PLG-5	IS61NW6432-5TQ	MT58LC32K36B2LG-9	IS61C632A-8TQ	MT5C2568-20IT	IS61C256AH-20NI
MT58LC128K32B4BG-7.5	IS61SF12832-7.5B	MT58LC32K36C4LG-7	IS61C632A-7TQ	MT5C2568DJ-10	IS61C256AH-10J
MT58LC128K32B4BG-8.5	IS61SF12832-8.5B	MT58LC32K36M1LG-9	IS61C632A-8TQ	MT5C2568DJ-10IT	IS61C256AH-10JI
MT58LC128K32B4LG-7.5	IS61SF12832-7.5TQ	MT58LC64K32D8LG-4.5	IS61S6432-4.5TQ	MT5C2568DJ-10IT	IS61C256AH-10JI
MT58LC128K32B4LG-8.5	IS61SF12832-8.5TQ	MT58LC64K32D8LG-5	IS61S6432-4.8TQ	MT5C2568DJ-12IT	IS61C256AH-12JI
MT58LC128K32D9BG-3.5	IS61SP12832-3.5B	MT58LC64K32D8LG-5	IS61S6432-5TQ	MT5C2568DJ-15IT	IS61C256AH-15JI
MT58LC128K32D9BG-3.8	IS61SP12832-3.8B	MT58LC64K32D8LG-6	IS61S6432-6TQ	MT5C2568DJ-15IT	IS61C256AH-15JI
MT58LC128K32D9BG-4.2	IS61SP12832-4B	MT58LC64K32D8LG-7	IS61S6432-7TQ	MT5C2568DJ-20	IS61C256AH-20J
MT58LC128K32D9BG-6	IS61SP12832-5B	MT58LC64K32D9LG-4.5	IS61S6432-4.5TQ	MT5C2568DJ-20IT	IS61C256AH-20JI
MT58LC128K32D9LG-3.5	IS61SP12832-3.5TQ	MT58LC64K32D9LG-5	IS61S6432-4.8TQ	MT5C6408-15	IS61C64AH-15N
MT58LC128K32D9LG-3.8	IS61SP12832-3.8TQ	MT58LC64K32D9LG-5	IS61S6432-5TQ	MT5C6408-20	IS61C64AH-20N
MT58LC128K32D9LG-4.2	IS61SP12832-4TQ	MT58LC64K32D9LG-6	IS61S6432-6TQ	MT5C6408-25	IS61C64AH-25N
MT58LC128K32D9LG-4.5	IS61SP12832-4B	MT58LC64K32D9LG-6	IS61S6432-6TQ	MT5C6408DJ-15	IS61C64AH-15J
MT58LC128K32D9LG-4.5	IS61SP12832-4TQ	MT58LC64K32D9LG-7	IS61S6432-7TQ	MT5C6408DJ-20	IS61C64AH-20J
MT58LC128K32D9LG-6	IS61SP12832-5TQ	MT58LC64K36D8LG-4.5	IS61SP6436-4.5TQ	MT5C6408DJ-25	IS61C64AH-25J
MT58LC128K36B4BG-7.5	IS61SF12836-7.5B	MT58LC64K36D8LG-5	IS61SP6436-4.8TQ	MT5C64K16A1DJ-12	IS61C6416-12K
MT58LC128K36B4BG-8.5	IS61SF12836-8.5B	MT58LC64K36D8LG-5	IS61SP6436-5TQ	MT5C64K16A1DJ-15	IS61C6416-15K
MT58LC128K36B4LG-7.5	IS61SF12836-7.5TQ	MT58LC64K36D8LG-6	IS61SP6436-6TQ	MT5C64K16A1DJ-20	IS61C6416-20K
MT58LC128K36B4LG-8.5	IS61SF12836-8.5TQ	MT58LC64K36D8LG-7	IS61SP6436-7TQ	MT5C64K16A1TJ-12	IS61C6416-12T
MT58LC128K36D9BG-3.5	IS61SP12836-3.5B	MT58LC64K36D9LG-4.5	IS61SP6436-4.5TQ	MT5C64K16A1TJ-15	IS61C6416-15T
MT58LC128K36D9BG-3.8	IS61SP12836-3.8B	MT58LC64K36D9LG-5	IS61SP6436-4.8TQ	MT5C64K16A1TJ-20	IS61C6416-20T
MT58LC128K36D9BG-3.8	IS61SP12836-3.8B	MT58LC64K36D9LG-5	IS61SP6436-5TQ		

SRAM

MICRON	ISSI	MITSUBISHI	ISSI	MITSUBISHI	ISSI
MT5LC128K8D4DJ-15	IS63LV1024-15K	M5M51008BFP-70	IS62C1024L-70Q	M5M51R16AWG-10L	IS62V6416LL-100B
MT5LC128K8D4DJ-20	IS63LV1024-15K	M5M51008BFP-85	IS62C1024-70Q	M5M5255BFP-10	IS62C256-100U
MT5LC128K8D4DJ-25	IS63LV1024-15K	M5M51008BFP-L-10	IS62LV1024L-70Q	M5M5255BFP-12	IS62C256-120U
MT5LC128K8D4TJ-15	IS63LV1024-15T	M5M51008BFP-L-70	IS62LV1024L-70Q	M5M5255BFP-70	IS62C256-70U
MT5LC128K8D4TJ-20	IS63LV1024-15T	M5M51008BFP-LL-10	IS62LV1024LL-70Q	M5M5255BFP-85	IS62C256-70U
MT5LC128K8D4TJ-25	IS63LV1024-15T	M5M51008BFP-LL-70	IS62LV1024LL-70Q	M5M5255BP-10	IS62C256-100W
MT5LC2568-12	IS61LV256-12N	M5M51008BP-10	IS62C1024-70W	M5M5255BP-12	IS62C256-120W
MT5LC2568-12IT	IS61LV256-12NI	M5M51008BP-10	IS62C1024L-70W	M5M5255BP-70	IS62C256-70W
MT5LC2568-15	IS61LV256-15N	M5M51008BP-55	IS62C1024-55W	M5M5255BP-85	IS62C256-70W
MT5LC2568-15IT	IS61LV256-15NI	M5M51008BP-55	IS62C1024L-45W	M5M5255CFP-10	IS62C256-100U
MT5LC2568-20	IS61LV256-20N	M5M51008BP-55	IS62C1024L-55W	M5M5255CFP-12	IS62C256-120U
MT5LC2568-20IT	IS61LV256-20NI	M5M51008BP-70	IS62C1024-70W	M5M5255CFP-70	IS62C256-70U
MT5LC2568-25	IS61LV256-25N	M5M51008BP-70	IS62C1024L-70W	M5M5255CFP-85	IS62C256-70U
MT5LC2568-25IT	IS61LV256-25NI	M5M51008BP-85	IS62C1024-70W	M5M5255CP-10	IS62C256-100W
MT5LC2568-35	IS61LV256-35N	M5M51008BVP-10	IS62C1024-70T	M5M5255CP-12	IS62C256-120W
MT5LC2568-35IT	IS61LV256-35NI	M5M51008BVP-10	IS62C1024L-70T1	M5M5255CP-70	IS62C256-70W
MT5LC2568DJ-12	IS61LV256-12J	M5M51008BVP-55	IS62C1024-55T	M5M5255CP-85	IS62C256-70W
MT5LC2568DJ-12IT	IS61LV256-12JI	M5M51008BVP-55	IS62C1024L-45T1	M5M5256BFP-10	IS62C256-100U
MT5LC2568DJ-15	IS61LV256-15J	M5M51008BVP-55	IS62C1024L-55T1	M5M5256BFP-12	IS62C256-120U
MT5LC2568DJ-15IT	IS61LV256-15JI	M5M51008BVP-70	IS62C1024-70T	M5M5256BFP-70	IS62C256-70U
MT5LC2568DJ-20	IS61LV256-20J	M5M51008BVP-70	IS62C1024L-70T1	M5M5256BFP-85	IS62C256-70U
MT5LC2568DJ-20IT	IS61LV256-20JI	M5M51008BVP-85	IS62C1024-70T	M5M5256BP-10	IS62C256-100W
MT5LC2568DJ-25	IS61LV256-25J	M5M51008BVP-L-10	IS62LV1024L-70T1	M5M5256BP-12	IS62C256-120W
MT5LC2568DJ-25IT	IS61LV256-25JI	M5M51008BVP-L-70	IS62LV1024L-70T1	M5M5256BP-70	IS62C256-70W
MT5LC2568DJ-35	IS61LV256-35J	M5M51008BVPLL-10	IS62LV1024LL-70T1	M5M5256BP-85	IS62C256-70W
MT5LC2568DJ-35IT	IS61LV256-35JI	M5M51008BVPLL-70	IS62LV1024LL-70T1	M5M5278CJ-12	IS61C256AH-12J
MTLC64K32B3LG-10	IS61SF6432-10TQ	M5M51016BTP-10VL/VLL	IS62V6416LL-100T	M5M5278CJ-15	IS61C256AH-15J
MTLC64K32B3LG-10,11	IS61SF6436-10TQ	M5M51288BKJ-15	IS61C1024-15J	M5M5278CJ-20	IS61C256AH-20J
MTLC64K32B3LG-11	IS61SF6432-10TQ	M5M51288BKJ-15L	IS61C1024L-15J	M5M5278CJ-25	IS61C256AH-20J
MTLC64K32B3LG-8.5	IS61SF6436-8.5TQ	M5M51288BKJ-20	IS61C1024-20J	M5M5278CP-12	IS61C256AH-12N
MTLC64K32B3LG-9	IS61SF6432-9TQ	M5M51288BKJ-20L	IS61C1024L-20J	M5M5278CP-15	IS61C256AH-15N
MTLC64K32B3LG-9	IS61SF6436-9TQ	M5M51288BKJ-25	IS61C1024-25J	M5M5278CP-20	IS61C256AH-20N
MTLC64K32B4LG-10	IS61SF6432-10TQ	M5M51288BKP-15	IS61C1024-15N	M5M5278CP-25	IS61C256AH-20N
MTLC64K32B4LG-10	IS61SF6436-10TQ	M5M51288BKP-15L	IS61C1024L-15N	M5M5278DJ-12	IS61C256AH-12J
MTLC64K32B4LG-8.5	IS61SF6436-8.5TQ	M5M51288BKP-20	IS61C1024-20N	M5M5278DJ-15	IS61C256AH-15J
MTLC64K32B4LG-9	IS61SF6432-9TQ	M5M51288BKP-20L	IS61C1024L-20N	M5M5278DP-12	IS61C256AH-12N
MTLC64K32B4LG-9	IS61SF6436-9TQ	M5M51288BKJ-25L	IS61C1024L-25J	M5M5278DP-15	IS61C256AH-15N
		M5M51288BKP-25	IS61C1024-25N	M5M5278DVP-15	IS61C256AH-15T
		M5M51288BKP-25L	IS61C1024L-25N	M5M5278DVP-20	IS61C256AH-20T
		M5M512R88DJ	IS63LV1024		
		M5M512R88DJ-10	IS63LV1024-10K	M5M54R08AJ	IS61LV5128
		M5M512R88DJ-12	IS63LV1024-12K	M5M54R08AJ-10	IS61LV5128-10K
		M5M512R88DJ-15	IS63LV1024-15K	M5M54R08AJ-12	IS61LV5128-12K
				M5M54R08AJ-15	IS61LV5128-15K
		M5M5178AJ-20	IS61C64AH-20J		
		M5M5178AJ-25	IS61C64AH-25J	M5M54R16	IS61LV25616
		M5M5178AP-20	IS61C64AH-20N	M5M54R16AJ-10	IS61LV25616-10K
		M5M5178AP-25	IS61C64AH-25N	M5M54R16AJ-12	IS61LV25616-12K
		M5M5178BJ-15	IS61C64AH-15J	M5M54R16AJ-15	IS61LV25616-15K
		M5M5178BJ-20	IS61C64AH-20J	M5M54R16ATP-10	IS61LV25616-10T
		M5M5178BJ-25	IS61C64AH-25J	M5M54R16ATP-12	IS61LV25616-12T
		M5M5178BP-15	IS61C64AH-15N	M5M54R16ATP-15	IS61LV25616-15T
		M5M5178BP-20	IS61C64AH-20N		
		M5M5178BP-25	IS61C64AH-25N	M5M564R16	IS61LV6416
		M5M51R16	IS62V6416LL	M5M564R16DJ-10	IS61LV6416-10K
				M5M564R16DJ-12	IS61LV6416-12K
				M5M564R16DJ-15	IS61LV6416-15K

SRAM

MOSEL-VITELIC	ISSI
V61C518256-10R	IS61C256AH-10J
V61C518256-10T	IS61C256AH-10T
V61C518256-12R	IS61C256AH-12J
V61C518256-12T	IS61C256AH-12T
V61C518256-15R	IS61C256AH-15J
V61C518256-15T	IS61C256AH-15T
V62C31161024L	IS62V6416LL
V62C31161024L-70T	IS62V6416LL-70K
V62C31161024L-70T	IS62V6416LL-70K
V62C31161024L-70T	IS62V6416LL-70T
V62C31161024L-70T	IS62V6416LL-70T
V62C31162048L	IS62LV12816L
V62C31162048L-70T	IS62LV12816L-70T
V62C31162048L-70TI	IS62LV12816L-70TI
V62C31162048LL-70T	IS62LV12816L-70T
V62C31162048LL-70TI	IS62LV12816L-70TI
V62C3181024	IS62LV1024LL
V62C3181024LL-70T	IS62LV1024LL-70T
V62C3181024LL-70W	IS62LV1024LL-70Q
V62C5181024-35P	IS62C1024L-35W
V62C5181024-35T	IS62C1024L-35T1
V62C5181024-35W	IS62C1024L-35Q
V62C5181024-70P	IS62C1024L-55W
V62C5181024-70P	IS62C1024L-70W
V62C5181024-70T	IS62C1024L-55T1
V62C5181024-70T	IS62C1024L-70T1
V62C5181024-70W	IS62C1024L-55Q
V62C5181024-70W	IS62C1024L-70Q
V62C518256	IS62C256
V62C518256-70F	IS62C256-70U
V62C518256-70T	IS62C256-70T
V63C31321024-5Q	IS61C632A-5PQ
V63C31321024-5Q	IS61C632A-5PQ
V63C31321024-5U	IS61C632A-5TQ
V63C31321024-5U	IS61C632A-5TQ
V63C31321024-6Q	IS61C632A-6PQ
V63C31321024-6U	IS61C632A-6TQ
V63C31321024-6U	IS61C632A-6TQ
V63C31321024-7Q	IS61C632A-7PQ
V63C31321024-7Q	IS61C632A-7PQ
V63C31321024-7U	IS61C632A-7TQ
V63C31321024-7U	IS61C632A-7TQ
V63C31321024-8Q	IS61C632A-8PQ
V63C31321024-8U	IS61C632A-8TQ
V63C31322048-5Q	IS61S6432-4.8PQ
V63C31322048-5Q	IS61S6432-5PQ
V63C31322048-5Q	IS61S6432-5PQ
V63C31322048-5U	IS61S6432-48TQ
V63C31322048-5U	IS61S6432-5TQ
V63C31322048-6Q	IS61S6432-6PQ
V63C31322048-6Q	IS61S6432-6PQ
V63C31322048-6U	IS61S6432-6TQ

MOSEL-VITELIC	ISSI
V63C31322048-6U	IS61S6432-6TQ
V63C31322048-7Q	IS61S6432-7PQ
V63C31322048-7Q	IS61S6432-7PQ
V63C31322048-7U	IS61S6432-7TQ
V63C31322048-7U	IS61S6432-7TQ
V63C31322048-8Q	IS61S6432-8PQ
V63C31322048-8U	IS61S6432-8TQ
MOTOROLA	ISSI
PACKAGE SYMBOL	
P M	PDIP (400mil)
P N	PDIP (300mil)
J K	SOJ (400mil)
J J	SOJ (300mil)
N PL	PLCC
- TQ	TQFP
MCM6206CJ15	IS61C256AH-15J
MCM6206CJ15R2	IS61C256AH-15J
MCM6206CJ20	IS61C256AH-20J
MCM6206CJ20R2	IS61C256AH-20J
MCM6206CJ25	IS61C256AH-20J
MCM6206CJ25R2	IS61C256AH-20J
MCM6206CJ35	IS61C256AH-20J
MCM6206CJ35R2	IS61C256AH-20J
MCM6206CP15	IS61C256AH-15N
MCM6206CP20	IS61C256AH-20N
MCM6206CP25	IS61C256AH-20J
MCM6206CP35	IS61C256AH-20J
MCM6206DJ12	IS61C256AH-12J
MCM6206DJ12R2	IS61C256AH-12J
MCM6206DJ15	IS61C256AH-15J
MCM6206DJ15R2	IS61C256AH-15J
MCM6206DJ20	IS61C256AH-20J
MCM6206DJ20R2	IS61C256AH-20J
MCM6206DJ25	IS61C256AH-20J
MCM6206DJ25R2	IS61C256AH-20J
MCM6206DP12	IS61C256AH-12N
MCM6206DP15	IS61C256AH-15N
MCM6206DP20	IS61C256AH-20N
MCM6206DP25	IS61C256AH-20J
MCM6226AWJ20	IS61C1024-20K
MCM6226AWJ20R2	IS61C1024-20K
MCM6226AWJ25	IS61C1024-25K
MCM6226AWJ25R2	IS61C1024-25K
MCM6226AWJ35	IS62C1024-25K
MCM6226AWJ35R2	IS62C1024-25K
MCM6226AWJ40	IS62C1024-25K
MCM6226AWJ40R2	IS62C1024-25K
MCM6226BJ15	IS61C1024-15J
MCM6226BJ15R2	IS61C1024-15J
MCM6226BJ17	IS61C1024-15J
MCM6226BJ17R2	IS61C1024-15J
MCM6226BJ20	IS61C1024-20J
MCM6226BJ20R2	IS61C1024-20J

MOTOROLA	ISSI
MCM6226BJ25	IS61C1024-25J
MCM6226BJ25R2	IS61C1024-25J
MCM6226BJ35	IS62C1024-25J
MCM6226BWJ15	IS61C1024-15K
MCM6226BWJ15R2	IS61C1024-15K
MCM6226BWJ17	IS61C1024-15K
MCM6226BWJ17R2	IS61C1024-15K
MCM6226BWJ20	IS61C1024-20K
MCM6226BWJ20R2	IS61C1024-20K
MCM6226BWJ25	IS61C1024-25K
MCM6226BWJ25R2	IS61C1024-25K
MCM6226BWJ35	IS62C1024-25K
MCM6226BWJ35R2	IS62C1024-25K
MCM6264CJ12	IS61C64AH-12J
MCM6264CJ12R2	IS61C64AH-12J
MCM6264CJ15	IS61C64AH-15J
MCM6264CJ15R2	IS61C64AH-15J
MCM6264CJ20	IS61C64AH-20J
MCM6264CJ20R2	IS61C64AH-20J
MCM6264CJ25	IS61C64AH-25J
MCM6264CJ25R2	IS61C64AH-25J
MCM6264CJ35	IS61C64AH-25J
MCM6264CJ35R2	IS61C64AH-25J
MCM6264CP12	IS61C64AH-12N
MCM6264CP15	IS61C64AH-15N
MCM6264CP20	IS61C64AH-20N
MCM6264CP25	IS61C64AH-25N
MCM6264CP35	IS61C64AH-25J
MCM6264CP-xx	IS61C64AH-xxN
MCM6306DJ15	IS61LV256-15J
MCM6306DJ15R2	IS61LV256-15J
MCM6306DJ20	IS61LV256-20J
MCM6306DJ20R2	IS61LV256-20J
MCM6306DJ25	IS61LV256-25J
MCM6306DJ25R2	IS61LV256-25J
MCM6323A	IS61LV6416
MCM6323ATS-10	IS61LV6416-10T
MCM6323ATS-12	IS61LV6416-12T
MCM6323ATS-15	IS61LV6416-15T
MCM6323ATS-15	IS62LV6416LL-15T2
MCM6323ATS-20	IS61LV6416-20T
MCM6323AYJ-10	IS61LV6416-10K
MCM6323AYJ-12	IS61LV6416-12K
MCM6323AYJ-15	IS61LV6416-15K
MCM6323AYJ-15	IS62LV6416LL-15K
MCM6323AYJ-20	IS61LV6416-20K
MCM6341	IS61LV12824
MCM6341ZP10	IS61LV12824-10B
MCM6341ZP-10	IS61LV12824-10B
MCM6341ZP11	IS61LV12824-10B
MCM6341ZP11A	IS61LV12824-10BI
MCM6341ZP12	IS61LV12824-12B
MCM6341ZP-12	IS61LV12824-12B
MCM6341ZP12A	IS61LV12824-12BI

SRAM

MOTOROLA	ISSI	MOTOROLA	ISSI	NEC	ISSI
MCM6341ZP15	IS61LV12824-15B	MCM69P737-ZP4/		μPD431000AGW-85L	IS61C1024-70Q
MCM6341ZP15A	IS61LV12824-15BI	MCM63P737-ZP133	IS61SP12836-133B	μPD431000AGW-85LL	IS61C1024L-70Q
MCM6343TS-12	IS61LV25616-12T2	MCM69P818-TQ3.5	IS61SP25618-166TQ	μPD431000AGZ-10LL	IS61C1024L-70T
MCM6343TS-15	IS61LV25616-15T2	MCM69P818-TQ3.8	IS61SP25618-150TQ	μPD431000AGZ-70L	IS61C1024-70T
MCM6343YJ-12	IS61LV25616-12K	MCM69P818-TQ4/		μPD431000AGZ-70LL	IS61C1024L-70T
MCM6343YJ-15	IS61LV25616-15K	MCM63818-TQ133	IS61SP25618-133TQ	μPD431000AGZ-85L	IS61C1024-70T
MCM63818-TQ100	IS61SP25618-5B	MCM69P818-ZP3.5	IS61SP25618-166B	μPD431000AGZ-85LL	IS61C1024L-70T
MCM63818-TQ100	IS61SP25618-5TQ	MCM69P818-ZP3.8	IS61SP25618-150B	μPD431000BCZ-10LL	IS61C1024L-70W
MCM63819-TQ9	IS61SF25618-9B	MCM69P818-ZP4/		μPD431000BCZ-70L	IS61C1024-70W
MCM63819-TQ9	IS61SF25618-9TQ	MCM63818-ZP133	IS61SP25618-133B	μPD431000BCZ-70LL	IS61C1024L-70W
MCM63F523T12	IS61C632-8TQ	MCM69P819-TQ11/		μPD431000BCZ-85L	IS61C1024-70W
MCM63F733A-TQ10	IS61SF12832-10TQ	MCM63819TQ-10	IS61SF25618-10TQ	μPD431000BCZ-85LL	IS61C1024L-70W
MCM63F733A-TQ8.5	IS61SF12832-8.5TQ	MCM69P819TQ-3.5	IS61SP25618-3.5TQ	μPD431000BGW-10LL	IS61C1024L-70Q
MCM63F733A-TQ9	IS61SF12832-9TQ	MCM69P819TQ-3.8	IS61SP25618-3.8TQ	μPD431000BGW-70L	IS61C1024-70Q
MCM63F737-TQ9	IS61SF12836-9TQ	MCM69P819TQ-4	IS61SP25618-4TQ	μPD431000BGW-70LL	IS61C1024L-70Q
MCM63F737-ZP9	IS61SF12836-9B	MCM69P819-TQ7.5	IS61SF25618-7.5TQ	μPD431000BGW-85L	IS61C1024-70Q
MCM63P631TQ-4.5	IS61S6432-4.5TQ	MCM69P819-TQ8	IS61SF25618-8TQ	μPD431000BGW-85LL	IS61C1024L-70Q
MCM63P631TQ-7	IS61S6432-7TQ	MCM69P819-TQ8.5/		μPD431000BGZ-10LL	IS61C1024L-70T
MCM63P631TQ-8	IS61S6432-8TQ	MCM63819-TQ8.5	IS61SF25618-8.5TQ	μPD431000BGZ-70L	IS61C1024-70T
MCM63P733A-TQ100	IS61SP12832-5TQ	MCM69P819-ZP11/		μPD431000BGZ-70LL	IS61C1024L-70T
MCM63P733A-TQ117	IS61SP12832-117TQ	MCM63819-ZP10	IS61SF25618-10B	μPD431000BGZ-85L	IS61C1024-70T
MCM63P733A-TQ133	IS61SP12832-133TQ	MCM69P819ZP-3.5	IS61SP25618-3.5B	μPD431000BGZ-85LL	IS61C1024L-70T
MCM63P733A-TQ150	IS61SP12832-150TQ	MCM69P819ZP-3.8	IS61SP25618-3.8B	μPD431008E-15	IS61C1024-15K
MCM63P737-TQ100	IS61SP12836-5TQ	MCM69P819ZP-4	IS61SP25618-4B	μPD431008E-17	IS61C1204-15K
MCM63P737-ZP100	IS61SP12836-5B	MCM69P819-ZP7.5	IS61SF25618-7.5B	μPD431008E-20	IS61C1204-20K
MCM63Z736TQ-4.2	IS61NW12836-4.2TQ	MCM69P819-ZP8	IS61SF25618-8B	μPD431008LE-15	IS61C1024L-15K
MCM63Z736TQ-4.2	IS61NW12836-4.5TQ	MCM69P819-ZP8.5/		μPD431008LE-17	IS61C1204L-15K
MCM63Z736TQ-5	IS61NW12836-5TQ	MCM63819-ZP8.5	IS61SF25618-8.5B	μPD431008LE-20	IS61C1204L-20K
MCM63Z736TQ-5	IS61NW12836-5TQ	MCMC6206J12	IS61C256AH-12J	μPD431016LE-15	IS61C6416-15K
MCM6926A	IS63LV1024	MCMC6206J12R	IS61C256AH-12J	μPD431016LE-17	IS61C6416-15K
MCM6926AWJ-10	IS63LV1024-10K	MCMC6206J15	IS61C256AH-15J	μPD431016LE-20	IS61C6416-20K
MCM6926AWJ-12	IS63LV1024-12K	MCMC6206J15R2	IS61C256AH-15J	μPD431232LGF-8	IS61C632A-8TQ
MCM6926AWJ-15	IS63LV1024-15K	MCMC6206J20	IS61C256AH-20J	μPD43256ACZ-45L	IS62C256-45W
MCM6946YJ-10	IS61LV5128-10K	MCMC6206J20R2	IS61C256AH-20J	μPD43256ACZ-55L	IS62C256-45W
MCM6946YJ-12	IS61LV5128-12K	MCMC6206J25	IS61C1024-25J	μPD43256ACZ-70L	IS62C256-70W
MCM6946YJ-15	IS61LV5128-15K	MCMC6206J25R2	IS61C1024-25J	μPD43256ACZ-85L	IS62C256-70W
MCM69F737-TQ11/				μPD43256AGU-45L	IS62C256-45U
MCM63F737-TQ10	IS61SF12836-10TQ	NEC	ISSI	μPD43256AGU-55L	IS62C256-45U
MCM69F737-TQ7.5	IS61SF12836-7.5TQ	PACKAGE SYMBOL		μPD43256AGU-70L	IS62C256-70U
MCM69F737-TQ-8	IS61SF12836-8TQ	CZ W	PDIP (600mil)	μPD43256AGU-85L	IS62C256-70U
MCM69F737-TQ8.5/		CR N	PDIP (300mil)	μPD43256AGW-45L	IS62C256-45T
MCM63F737-TQ8.5	IS61SF12836-8.5TQ	LE K	SOJ (400mil)	μPD43256AGW-55L	IS62C256-45T
MCM69F737-ZP11/		LA J	SOJ (300mil)	μPD43256AGW-70L	IS62C256-70T
MCM63F737-ZP10	IS61SF12836-10B	GW Q	SOP (525mil)	μPD43256AGW-85L	IS62C256-70T
MCM69F737-ZP7.5	IS61SF12836-7.5B	GZ T	TSOP	μPD43256BCZ-45L	IS62C256-45W
MCM69F737-ZP8	IS61SF12836-8B	LGF TQ	TQFP	μPD43256BCZ-55L	IS62C256-45W
MCM69F737-ZP8.5/				μPD43256BCZ-70L	IS62C256-70W
MCM63F737-ZP8.5	IS61SF12836-8.5B	μPD431000ACZ-10LL	IS61C1024L-70W	μPD43256BCZ-85L	IS62C256-70W
MCM69P737-TQ3.5	IS61SP12836-166TQ	μPD431000ACZ-70L	IS61C1024-70W	μPD43256BGU-45L	IS62C256-45U
MCM69P737-TQ3.8	IS61SP12836-150TQ	μPD431000ACZ-70LL	IS61C1024L-70W	μPD43256BGU-55L	IS62C256-45U
MCM69P737-TQ4/		μPD431000ACZ-85L	IS61C1024-70W	μPD43256BGU-70L	IS62C256-70U
MCM63P737-TQ133	IS61SP12836-133TQ	μPD431000ACZ-85LL	IS61C1024L-70W	μPD43256BGU-85L	IS62C256-70U
MCM69P737-ZP3.5	IS61SP12836-166B	μPD431000AGW-10LL	IS61C1024L-70Q	μPD43256BGW-45L	IS62C256-45T
MCM69P737-ZP3.8	IS61SP12836-150B	μPD431000AGW-70L	IS61C1024-70Q	μPD43256BGW-55L	IS62C256-45T
		μPD431000AGW-70LL	IS61C1024L-70Q		

SRAM

NEC	ISSI
μPD43256BGW-70L	IS62C256-70T
μPD43256BGW-85L	IS62C256-70T
μPD43258ACR-15	IS61C256AH-15N
μPD43258ALA-15	IS61C256AH-15J
μPD43258CR-15	IS61C256AH-15N
μPD43258LA-15	IS61C256AH-15J
μPD4368CR-20	IS61C64AH-20N
μPD4368LA-20	IS61C64AH-20J
UPD431000	IS62C1024
UPD431000AGZ-10X-KJH	IS62C1024-70TI
UPD431000AGZ-70X-KJH	IS62C1024-70TI
UPD431000AGZ-85X-KJH	IS62C1024-70TI
uPD431232LGF-A8	IS61C632A-8TQ
uPD432232LGF-A5	IS61S6432-5TQ
uPD432232LGF-A7	IS61S6432-7TQ
UPD434008ALLE-A15	IS61LV5128-15K
UPD434008ALLE-A17	IS61LV5128-15K
UPD434008ALLE-A20	IS61LV5128-15K
UPD434016ALG5-A15-7JF	IS61LV25616-15T
UPD434016ALG5-A17-7JF	IS61LV25616-15T
UPD434016ALG5-A20-7JF	IS61LV25616-15T
UPD434016ALLE-A15	IS61LV25616-15K
UPD434016ALLE-A17	IS61LV25616-15K
UPD434016ALLE-A20	IS61LV25616-15K
UPD441000LGU-B10X-9JH	IS62LV1024LL-70HI
UPD441000LGU-B70X-9JH	IS62LV1024LL-70HI
UPD441000LGU-B85X-9JH	IS62LV1024LL-70HI
UPD441000LGZ-B10X-KJH	IS62LV1024LL-70TI
UPD441000LGZ-B70X-KJH	IS62LV1024LL-70TI
UPD441000LGZ-B85X-KJH	IS62LV1024LL-70TI
UPD442000LGU-B10X-9JH	IS62LV2568LL-100HI
UPD442000LGU-B70X-9JH	IS62LV2568LL-70HI
UPD442000LGU-B85X-9JH	IS62LV2568LL-85HI
UPD442000LGZ-B10X-KJH	IS62LV2568LL-100TI
UPD442000LGZ-B70X-KJH	IS62LV2568LL-70TI
UPD442000LGZ-B85X-KJH	IS62LV2568LL-85TI
OKI	ISSI
PACKAGE SYMBOL	
GS W	PDIP (600mil)
RS U	SOP (450mil)
MSM51257AL-10GS	IS62C256-100U
MSM51257AL-10RS	IS62C256-100W
MSM51257AL-12GS	IS62C256-100U
MSM51257AL-12RS	IS62C256-100W
MSM51257ALL-10GS	IS62C256-100U
MSM51257ALL-10RS	IS62C256-100W
MSM51257ALL-85GS	IS62C256-70U
MSM51257ALL-85RS	IS62C256-70W
MSM5165AL-10GS	IS62C64-100U
MSM5165AL-10RS	IS62C64-100W

PARADIGM	ISSI
PACKAGE SYMBOL	
P N	PDIP (300mil)
P M	PDIP (400mil)
TSO J	SOJ (300mil)
SO J	SOJ (300mil)
SO K	SOJ (400mil)
T T	TSOP
31048LL/21048LL	IS6LV2568L/LL
31096SA	IS61LV5128
41532SA/LA	IS61C6416
PDM21048LL	IS62LV2568LL
PDM21048LL-10ST	IS62LV2568LL-100H
PDM21048LL-10T	IS62LV2568LL-100T
PDM21048LL-12ST	IS62LV2568LL-100H
PDM21048LL-12T	IS62LV2568LL-100T
PDM21532LA	IS62V6416LL
PDM21532LA-100SO	IS62V6416LL-100K
PDM21532LA-100SOI	IS62V6416LL-100KI
PDM21532LA-100T	IS62V6416LL-100T
PDM21532LA-100TI	IS62V6416LL-100TI
PDM21532LA-70SO	IS62V6416LL-70K
PDM21532LA-70T	IS62V6416LL-70T
PDM21532LA-85SO	IS62V6416LL-70K
PDM21532LA-85SOI	IS62V6416LL-70KI
PDM21532LA-85T	IS62V6416LL-70T
PDM21532LA-85TI	IS62V6416LL-70TI
PDM31034	IS63LV1024
PDM31034SA-10SO	IS63LV1024-10K
PDM31034SA-10SOI	IS63LV1024-10KI
PDM31034SA-10T	IS63LV1024-10T
PDM31034SA-10TI	IS63LV1024-10TI
PDM31034SA-10TSO	IS63LV1024-10J
PDM31034SA-10TSOI	IS63LV1024-10JI
PDM31034SA-12SO	IS63LV1024-12K
PDM31034SA-12SOI	IS63LV1024-12KI
PDM31034SA-12T	IS63LV1024-12T
PDM31034SA-12TI	IS63LV1024-12TI
PDM31034SA-12TSO	IS63LV1024-12J
PDM31034SA-12TSOI	IS63LV1024-12JI
PDM31034SA-15SO	IS63LV1024-15K
PDM31034SA-15SOI	IS63LV1024-15KI
PDM31034SA-15T	IS63LV1024-15T
PDM31034SA-15TI	IS63LV1024-15TI
PDM31034SA-15TSO	IS63LV1024-15J
PDM31034SA-15TSOI	IS63LV1024-15JI
PDM31034SA-20SO	IS63LV1024-15K
PDM31034SA-20SOI	IS63LV1024-15KI
PDM31034SA-20T	IS63LV1024-15T
PDM31034SA-20TI	IS63LV1024-15TI
PDM31034SA-20TSO	IS63LV1024-15J
PDM31034SA-20TSOI	IS63LV1024-15JI
PDM31048LL-10ST	IS62LV2568LL-100H
PDM31048LL-10T	IS62LV2568LL-100T
PDM31048LL-70ST	IS62LV2568LL-70H

PARADIGM	ISSI
PDM31048LL-70T	IS62LV2568LL-70T
PDM31048LL-85ST	IS62LV2568LL-70H
PDM31048LL-85T	IS62LV2568LL-70T
PDM31096SA-10SO	IS61LV5128-10K
PDM31096SA-10T	IS61LV5128-10T
PDM31096SA-12SO	IS61LV5128-12K
PDM31096SA-12SOI	IS61LV5128-12KI
PDM31096SA-12T	IS61LV5128-12T
PDM31096SA-12TI	IS61LV5128-12TI
PDM31096SA-15SO	IS61LV5128-15K
PDM31096SA-15SOI	IS61LV5128-15KI
PDM31096SA-15T	IS61LV5128-15T
PDM31096SA-15TI	IS61LV5128-15TI
PDM31096SA-20SO	IS61LV5128-15K
PDM31096SA-20SOI	IS61LV5128-15KI
PDM31096SA-20T	IS61LV5128-15T
PDM31096SA-20TI	IS61LV5128-15TI
PDM31256L-12P	IS61LV256-12N
PDM31256L-12SO	IS61LV256-12J
PDM31256L-15P	IS61LV256-15N
PDM31256L-15SO	IS61LV256-15J
PDM31256L-20P	IS61LV256-20N
PDM31256L-20SO	IS61LV256-20J
PDM31256L-25P	IS61LV256-25N
PDM31256L-25SO	IS61LV256-25J
PDM31256SA-15SO	IS62LV256L-15J
PDM31256SA-15T	IS62LV256L-15TI
PDM31256SA-20SO	IS62LV256L-20J
PDM31256SA-20T	IS62LV256L-20TI
PDM31516SA-12SO	IS61LV3216L-12K
PDM31516SA-12T	IS61LV3216L-12TI
PDM31516SA-15SO	IS61LV3216L-15K
PDM31516SA-15T	IS61LV3216L-15TI
PDM31516SA-20SO	IS61LV3216L-20K
PDM31516SA-20T	IS61LV3216L-20TI
PDM31532LA-10SO	IS61LV6416-10K
PDM31532LA-10SOI	IS61LV6416-10KI
PDM31532LA-10T	IS61LV6416-10T
PDM31532LA-10TI	IS61LV6416-10TI
PDM31532LA-12SO	IS61LV6416-12K
PDM31532LA-12SOI	IS61LV6416-12KI
PDM31532LA-12T	IS61LV6416-12T
PDM31532LA-12TI	IS61LV6416-12TI
PDM31532LA-15SO	IS61LV6416-15K
PDM31532LA-15SOI	IS61LV6416-15KI
PDM31532LA-15T	IS61LV6416-15T
PDM31532LA-15TI	IS61LV6416-15TI
PDM31532LA-20SO	IS61LV6416-20K
PDM31532LA-20SOI	IS61LV6416-20KI
PDM31532LA-20T	IS61LV6416-20T
PDM31532LA-20TI	IS61LV6416-20TI
PDM31532SA/LA	IS61LV6416
PDM31532SA-10SO	IS61LV6416-10K
PDM31532SA-10SOI	IS61LV6416-10KI

SRAM

PARADIGM	ISSI	PARADIGM	ISSI	PARADIGM	ISSI
PDM31532SA-10T	IS61LV6416-10T	PDM34078S-6TQ	IS61C632A-6TQ	PDM41256LA-10PI	IS61C256AH-10NI
PDM31532SA-10TI	IS61LV6416-10TI	PDM34078S-7Q	IS61C632A-7PO	PDM41256LA-10SO	IS61C256AH-10J
PDM31532SA-12SO	IS61LV6416-12K	PDM34078S-7TQ	IS61C632A-7TQ	PDM41256LA-10SOI	IS61C256AH-10JI
PDM31532SA-12SOI	IS61LV6416-12KI	PDM34078S-8Q	IS61C632A-8PQ	PDM41256LA-10T	IS61C256AH-10T
PDM31532SA-12T	IS61LV6416-12T	PDM34078S-8TQ	IS61C632A-8TQ	PDM41256LA-10TI	IS61C256AH-10TI
PDM31532SA-12TI	IS61LV6416-12TI	PDM34088-4Q	IS61S6432-133PQ	PDM41256LA-12P	IS61C256AH-12N
PDM31532SA-15SO	IS61LV6416-15K	PDM34088-4TQ	IS61S6432-133TQ	PDM41256LA-12PI	IS61C256AH-12NI
PDM31532SA-15SOI	IS61LV6416-15KI	PDM34088-6Q	IS61S6432-6PQ	PDM41256LA-12SO	IS61C256AH-12J
PDM31532SA-15T	IS61LV6416-15T	PDM34088-6Q	IS61S6432-7PQ	PDM41256LA-12SOI	IS61C256AH-12JI
PDM31532SA-15TI	IS61LV6416-15TI	PDM34088-6TQ	IS61S6432-6TQ	PDM41256LA-12T	IS61C256AH-12T
PDM31532SA-20SO	IS61LV6416-20K	PDM34088S-6Q	IS61S6432-6PQ	PDM41256LA-12TI	IS61C256AH-12TI
PDM31532SA-20SOI	IS61LV6416-20KI	PDM34088S-6TQ	IS61S6432-6TQ	PDM41256LA-15P	IS61C256AH-15N
PDM31532SA-20T	IS61LV6416-20T	PDM34088S-7Q	IS61S6432-7PQ	PDM41256LA-15PI	IS61C256AH-15NI
PDM31532SA-20TI	IS61LV6416-20TI	PDM34088S-7TQ	IS61S6432-7TQ	PDM41256LA-15SO	IS61C256AH-15J
PDM31548SA	IS61LV12816	PDM34088S-8Q	IS61S6432-8PQ	PDM41256LA-15SOI	IS61C256AH-15JI
PDM31548SA-10SO	IS61LV12816-10K	PDM34088S-8TQ	IS61S6432-8TQ	PDM41256LA-15T	IS61C256AH-15T
PDM31548SA-10T	IS61LV12816-10T	PDM34088-TQ	IS61S6432-7TQ	PDM41256LA-15TI	IS61C256AH-15TI
PDM31548SA-12SO	IS61LV12816-12K	PDM34089-10Q	IS61SF6432-10PQ	PDM41256LA-20P	IS61C256AH-20N
PDM31548SA-12SOI	IS61LV12816-12KI	PDM34089-10TQ	IS61SF6432-10TQ	PDM41256LA-20PI	IS61C256AH-20NI
PDM31548SA-12T	IS61LV12816-12T	PDM34089-7Q	IS61SF6432-9PQ	PDM41256LA-20SO	IS61C256AH-20J
PDM31548SA-12TI	IS61LV12816-12TI	PDM34089-7TQ	IS61SF6432-9TQ	PDM41256LA-20SOI	IS61C256AH-20JI
PDM31548SA-15SO	IS61LV12816-15K	PDM41024LA-15P	IS61C1024L-15M	PDM41256LA-20T	IS61C256AH-20T
PDM31548SA-15SOI	IS61LV12816-15KI	PDM41024LA-15SO	IS61C1024L-15K	PDM41256LA-20TI	IS61C256AH-20TI
PDM31548SA-15T	IS61LV12816-15T	PDM41024LA-15SOI	IS61C1024L-15KI	PDM41256LA-25P	IS61C256AH-20N
PDM31548SA-15TI	IS61LV12816-15TI	PDM41024LA-15TSO	IS61C1024L-15J	PDM41256LA-25PI	IS61C256AH-20NI
PDM31548SA-20SO	IS61LV12816-15K	PDM41024LA-15TSOI	IS61C1024L-15JI	PDM41256LA-25SO	IS61C256AH-20J
PDM31548SA-20SOI	IS61LV12816-15KI	PDM41024LA-20P	IS61C1024L-20M	PDM41256LA-25SOI	IS61C256AH-20JI
PDM31548SA-20T	IS61LV12816-15T	PDM41024LA-20SO	IS61C1024L-20K	PDM41256LA-25T	IS61C256AH-20T
PDM31548SA-20TI	IS61LV12816-15TI	PDM41024LA-20SOI	IS61C1024L-20KI	PDM41256LA-25TI	IS61C256AH-20TI
PDM31564SA-10SO	IS61LV25616-10K	PDM41024LA-20TSO	IS61C1024L-20J	PDM41256SA-10P	IS61C256AH-10N
PDM31564SA-10T	IS61LV25616-10T	PDM41024LA-20TSOI	IS61C1024L-20JI	PDM41256SA-10PI	IS61C256AH-10NI
PDM31564SA-12SO	IS61LV25616-12K	PDM41024LA-25P	IS61C1024L-25M	PDM41256SA-10SO	IS61C256AH-10J
PDM31564SA-12SO	IS61LV25616-12K	PDM41024LA-25SO	IS61C1024L-25K	PDM41256SA-10SOI	IS61C256AH-10JI
PDM31564SA-12SO	IS61LV25616-15K	PDM41024LA-25SOI	IS61C1024L-25KI	PDM41256SA-10T	IS61C256AH-10T
PDM31564SA-12SOI	IS61LV25616-12KI	PDM41024LA-25TSO	IS61C1024L-25J	PDM41256SA-10TI	IS61C256AH-10TI
PDM31564SA-12SOI	IS61LV25616-15KI	PDM41024LA-25TSOI	IS61C1024L-25JI	PDM41256SA-12P	IS61C256AH-12N
PDM31564SA-12T	IS61LV25616-12T	PDM41024SA-15P	IS61C1024-15M	PDM41256SA-12PI	IS61C256AH-12NI
PDM31564SA-12T	IS61LV25616-15T	PDM41024SA-15SO	IS61C1024-15K	PDM41256SA-12SO	IS61C256AH-12J
PDM31564SA-12TI	IS61LV25616-12TI	PDM41024SA-15SOI	IS61C1024-15KI	PDM41256SA-12SOI	IS61C256AH-12JI
PDM31564SA-12TI	IS61LV25616-15TI	PDM41024SA-15TSO	IS61C1024-15J	PDM41256SA-12T	IS61C256AH-12T
PDM31564SA-15SO	IS61LV25616-15K	PDM41024SA-15TSOI	IS61C1024-15JI	PDM41256SA-12TI	IS61C256AH-12TI
PDM31564SA-15SO	IS61LV25616-15K	PDM41024SA-20P	IS61C1024-20M	PDM41256SA-15P	IS61C256AH-15N
PDM31564SA-15SOI	IS61LV25616-15KI	PDM41024SA-20PI	IS61C1024-20MI	PDM41256SA-15PI	IS61C256AH-15NI
PDM31564SA-15T	IS61LV25616-15T	PDM41024SA-20SO	IS61C1024-20K	PDM41256SA-15SO	IS61C256AH-15J
PDM31564SA-15TI	IS61LV25616-15TI	PDM41024SA-20SOI	IS61C1024-20KI	PDM41256SA-15SOI	IS61C256AH-15JI
PDM34072S-10TQ	IS61C632A-7TQ	PDM41024SA-20TSO	IS61C1024-20J	PDM41256SA-15T	IS61C256AH-15T
PDM34072S-12TQ	IS61C632A-7TQ	PDM41024SA-20TSOI	IS61C1024-20JI	PDM41256SA-15TI	IS61C256AH-15TI
PDM34072S-15TQ	IS61C632A-7TQ	PDM41024SA-25P	IS61C1024-25M	PDM41256SA-20P	IS61C256AH-20N
PDM34072S-9TQ	IS61C632A-7TQ	PDM41024SA-25PI	IS61C1024-25MI	PDM41256SA-20PI	IS61C256AH-20NI
PDM34078-6Q	IS61C632A-6PQ	PDM41024SA-25SO	IS61C1024-25K	PDM41256SA-20SO	IS61C256AH-20J
PDM34078-6TQ	IS61C632A-6TQ	PDM41024SA-25SOI	IS61C1024-25KI	PDM41256SA-20SOI	IS61C256AH-20JI
PDM34078-7Q	IS61C632A-7PQ	PDM41024SA-25TSO	IS61C1024-25J	PDM41256SA-20T	IS61C256AH-20T
PDM34078-7TQ	IS61C632A-7TQ	PDM41024SA-25TSOI	IS61C1024-25JI	PDM41256SA-20TI	IS61C256AH-20TI
PDM34078S-6Q	IS61C632A-6PQ	PDM41256LA-10P	IS61C256AH-10N	PDM41256SA-25P	IS61C256AH-20N

SRAM

PARADIGM	ISSI
PDM41256SA-25PI	IS61C256AH-20NI
PDM41256SA-25SO	IS61C256AH-20J
PDM41256SA-25SOI	IS61C256AH-20JI
PDM41256SA-25T	IS61C256AH-20T
PDM41256SA-25TI	IS61C256AH-20TI
PDM41532LA-10T	IS61C6416-10T
PDM41532LA-10TI	IS61C6416-10TI
PDM41532LA-12T	IS61C6416-12T
PDM41532LA-12TI	IS61C6416-12TI
PDM41532LA-15T	IS61C6416-15T
PDM41532LA-15TI	IS61C6416-15TI
PDM41532LA-20T	IS61C6416-20T
PDM41532LA-20TI	IS61C6416-20TI
PDM41532SA-10SO	IS61C6416-10K
PDM41532SA-12SO	IS61C6416-12K
PDM41532SA-20TI	IS61C6416-20TI
PERFORMANCE	ISSI
PACKAGE SYMBOL	
P N	PDIP (300mil)
J J	SOJ (300mil)
P3C1256-15JC	IS62LV256L-15J
P3C1256-15PC	IS62LV256L-15N
P3C1256-20JC	IS62LV256L-20J
P3C1256-20PC	IS62LV256L-20N
P3C1256-25JC	IS62LV256L-25J
P3C1256-25PC	IS62LV256L-25N
P4C1024L-55PC	IS62C1024L-55W
P4C1024L-55SC	IS62C1024L-55Q
P4C1024L-70PC	IS62C1024L-70W
P4C1024L-70SC	IS62C1024L-70Q
P4C1256-20JC	IS61C256AH-20J
P4C1256-20PC	IS61C256AH-20N
P4C164-15JC	IS61C64AH-15J
P4C164-15PC	IS61C64AH-15N
P4C164-20JC	IS61C64AH-20J
P4C164-20PC	IS61C64AH-20N
P4C164-25JC	IS61C64AH-25J
P4C164-25PC	IS61C64AH-25N
P4C164-30JC	IS61C64AH-25J
P4C164-30PC	IS61C64AH-25N
P4C164-35JC	IS61C64AH-25J
P4C164-35PC	IS61C64AH-25N

SAMSUNG	ISSI
PACKAGE SYMBOL	
P N	PDIP (300mil)
P M	PDIP (400mil)
P W	PDIP (600mil)
J J	SOJ (300mil)
J K	SOJ (400mil)
G U	SOP (450mil) PQ
	PQFP
TG T	TSOP
681002A	IS61C1024
718V887-7T	IS61SF25618-7.5TQ
718V887-8T	IS61SF25618-8TQ
718V887-9T	IS61SF25618-9TQ
718V889-60T	IS61SP25618-166TQ
718V889-67T	IS61SP25618-150TQ
718V889-72T	IS61SP25618-133TQ
718V889-85T	IS61SP25618-117TQ
732V589A,732V599A	IS61C632A
732V688	IS61S6432
732V787-7.5T	IS61SF12832-7.5TQ
732V787-8T	IS61SF12832-8TQ
732V787-9T	IS61SF12832-9TQ
732V789-10H	IS61SP12832-117B
732V789-10T	IS61SP12832-117TQ
732V789-60H	IS61SP12832-166B
732V789-60T	IS61SP12832-166TQ
732V789-67H	IS61SP12832-150B
732V789-67T	IS61SP12832-150TQ
732V789-72H	IS61SP12832-133B
732V789-72T	IS61SP12832-133TQ
736V687-9T	IS61SF6436-9TQ
736V689-10T	IS61SP6436-5TQ
736V689-11T	IS61SP6436-6TQ
736V689-7T	IS61S6436-133TQ
736V689-8T	IS61SP6436-117TQ
736V787-7T	IS61SF12836-7.5TQ
736V787-8T	IS61SF12836-8TQ
736V787-9T	IS61SF12836-9TQ
736V789-60H	IS61SP12836-166B
736V789-60T	IS61SP12836-166TQ
736V789-67H	IS61SP12836-150B
736V789-67T	IS61SP12836-150TQ
736V789-72H	IS61SP12836-133B
736V789-72T	IS61SP12836-133TQ
736V789-85H	IS61SP12836-117B
736V789-85T	IS61SP12836-117TQ
KM6161002AJ-12	IS61C6416-12K
KM6161002AJ-15	IS61C6416-15K
KM6161002AJ-17	IS61C6416-15K
KM6161002AJ-20	IS61C6416-20K
KM6161002AT-12	IS61C6416-12T
KM6161002AT-15	IS61C6416-15T
KM6161002AT-17	IS61C6416-15T
KM6161002AT-20	IS61C6416-20T

SAMSUNG	ISSI
KM616BV4002J-12	IS61LV25616-12K
KM616BV4002J-15	IS61LV25616-15K
KM616FS1000T-12	IS62V6416LL-70T
KM616FS1000T-15	IS62V6416LL-70T
KM616FS1000TI-12	IS62V6416LL-70TI
KM616FS1000TI-15	IS62V6416LL-70TI
KM616FS1000Z-15	IS62V6416LL-100B
KM616FS1000ZI-15	IS62V6416LL-100BI
KM616FS1010T-12	IS62V6416LL-70B
KM616FS1010T-15	IS62V6416LL-100B
KM616FS1010TI-12	IS62V6416LL-70BI
KM616FS1010TI-15	IS62V6416LL-100BI
KM616FS1010ZI-15	IS62V6416LL-100BI
KM616FS2000	IS62LV12816LL
KM616FS2000T-12	IS62LV12816LL-70T
KM616FS2000TI-12	IS62LV12816LL-70TI
KM616FS2000Z-10	IS62LV12816LL-100B
KM616FS2000ZI-10	IS62LV12816LL-100BI
KM616FU1010AFI-10	IS62V6416LL-100BI
KM616FU1010AFI-7	IS62V6416LL-70BI
KM616FU2010AZI-10	IS62LV12816LL-100BI
KM616FU2010AZI-7	IS62LV12816LL-70BI
KM616FV1000	IS62V6416LL
KM616FV1000T-7	IS62V6416LL-70T
KM616FV1000T-8	IS62V6416LL-70T
KM616FV1000TI-7	IS62V6416LL-70TI
KM616FV1000TI-8	IS62V6416LL-70TI
KM616FV2000T-7	IS62LV12816LL-70T
KM616FV2000T-8	IS62LV12816LL-70T
KM616FV2000TI-7	IS62LV12816LL-70TI
KM616FV2000TI-8	IS62LV12816LL-70TI
KM616U1000BLT-10L	IS62V6416LL-100T
KM616U1000BLTI-10L	IS62V6416LL-100TI
KM616U2000LT-10L	IS62LV12816LL-100T
KM616U2000LTI-8L	IS62LV12816LL-70T
KM616U2000LTI-10L	IS62LV12816L-100TI
KM616U2000LTI-8L	IS62LV12816L-70TI
KM616U2000TG-85	IS62LV12816L-70T2
KM616V1000BLT-7L	IS62V6416LL-70T
KM616V1000BLTI-8L	IS62V6416LL-70TI
KM616V1002A	IS61LV6416
KM616V1002AJ-12	IS61LV6416-12K
KM616V1002AJ-15	IS61LV6416-15K
KM616V1002AJ-20	IS61LV6416-20K
KM616V1002AJI-12	IS61LV6416-12KI
KM616V1002AJI-15	IS61LV6416-15KI
KM616V1002AJI-20	IS61LV6416-20KI
KM616V1002AT-12	IS61LV6416-12T
KM616V1002AT-15	IS61LV6416-15T
KM616V1002AT-20	IS61LV6416-20T
KM616V1002ATI-12	IS61LV6416-12TI
KM616V1002ATI-15	IS61LV6416-15TI
KM616V1002ATI-20	IS61LV6416-20TI
KM616V1002BJ/BLJ-10	IS61LV6416-10K

SRAM

SAMSUNG	ISSI
KM616V1002BJ/BLJ-12	IS61LV6416-12K
KM616V1002BJ/BLJ-10	IS61LV6416-10KI
KM616V1002BJ/BLJ-12	IS61LV6416-12KI
KM616V1002BT/BLT-10	IS61LV6416-10T
KM616V1002BT/BLT-12	IS61LV6416-12T
KM616V1002BT/BLT-10	IS61LV6416-10TI
KM616V1002BT/BLT-12	IS61LV6416-12TI
KM616V1002CF/CLF-12	IS61LV6416-12B
KM616V1002CF/CLF-15	IS61LV6416-15B
KM616V1002CF/CLF-20	IS61LV6416-20B
KM616V1002CFI/CLFI-12	IS61LV6416-12BI
KM616V1002CFI/CLFI-15	IS61LV6416-15BI
KM616V1002CFI/CLFI-20	IS61LV6416-20BI
KM616V1002CJ/CLJ-12	IS61LV6416-12K
KM616V1002CJ/CLJ-15	IS61LV6416-15K
KM616V1002CJ/CLJ-20	IS61LV6416-20K
KM616V1002CJI/CLJI-12	IS61LV6416-12KI
KM616V1002CJI/CLJI-15	IS61LV6416-15KI
KM616V1002CJI/CLJI-20	IS61LV6416-20KI
KM616V1002CT/CLT-12	IS61LV6416-12T
KM616V1002CT/CLT-15	IS61LV6416-15T
KM616V1002CT/CLT-20	IS61LV6416-20T
KM616V1002CTI/CLTI-12	IS61LV6416-12TI
KM616V1002CTI/CLTI-15	IS61LV6416-15TI
KM616V1002CTI/CLTI-20	IS61LV6416-20TI
KM616V4002AJ-12	IS61LV25616-12K
KM616V4002AJ-15	IS61LV25616-15K
KM616V4002BJ-12	IS61LV25616-12K
KM616V4002BJ-15	IS61LV25616-15K
KM616V4002BT-12	IS61LV25616-12T2
KM616V4002BT-15	IS61LV25616-15T2
KM62256BLETG-10	IS62C256-100TI
KM62256BLETG-7	IS62C256-70TI
KM62256BLG-4	IS62C256-45U
KM62256BLG-5	IS62C256-45U
KM62256BLG-7	IS62C256-70U
KM62256BLITG-10	IS62C256-100TI
KM62256BLITG-7	IS62C256-70TI
KM62256BLITG-7	IS62C256-70TI
KM62256BLP-4	IS62C256-45W
KM62256BLP-5	IS62C256-45W
KM62256BLP-7	IS62C256-70W
KM62256BLTG-4	IS62C256-45T
KM62256BLTG-5	IS62C256-45T
KM62256BLTG-7	IS62C256-70T
KM62256CLETG-10	IS62C256-100TI
KM62256CLETG-10	IS62C256-70TI
KM62256CLETG-7	IS62C256-70TI
KM62256CLG-4	IS62C256-45U
KM62256CLG-5	IS62C256-45U
KM62256CLG-7	IS62C256-70U
KM62256CLITG-10	IS62C256-100TI
KM62256CLITG-10	IS62C256-70TI

SAMSUNG	ISSI
KM62256CLITG-7	IS62C256-70TI
KM62256CLITG-7	IS62C256-70TI
KM62256CLP-4	IS62C256-45W
KM62256CLP-5	IS62C256-45W
KM62256CLP-7	IS62C256-70W
KM62256CLTG-4	IS62C256-45T
KM62256CLTG-5	IS62C256-45T
KM62256CLTG-7	IS62C256-70T
KM62256D	IS62C256
KM62256D	IS62C256
KM62256DLG-5	IS62C256-45U
KM62256DLG-5L	IS62C256-45U
KM62256DLG-7	IS62C256-70U
KM62256DLG-7L	IS62C256-70U
KM62256DLGI-7	IS62C256-70UI
KM62256DLGI-7L	IS62C256-70UI
KM62256DLP-5	IS62C256-45W
KM62256DLP-5L	IS62C256-45W
KM62256DLP-7	IS62C256-70W
KM62256DLP-7L	IS62C256-70W
KM62256DLTG-5	IS62C256-45T
KM62256DLTG-5L	IS62C256-45T
KM62256DLTG-7	IS62C256-70T
KM62256DLTG-7L	IS62C256-70T
KM62256DLTGI-7	IS62C256-70TI
KM62256DLTGI-7L	IS62C256-70TI
KM6264BLG-10	IS62C64-100U
KM6264BLG-12	IS62C64-100U
KM6264BLG-7	IS62C64-70U
KM6264BLP-10	IS62C64-100W
KM6264BLP-12	IS62C64-100W
KM6264BLP-7	IS62C64-70W
KM62U256DLG-10L	IS62LV256-100U
KM62U256DLG-7L	IS62LV256-70U
KM62U256DLG-8L	IS62LV256-70U
KM62U256DLGE-10L	IS62LV256-100UI
KM62U256DLGE-7L	IS62LV256-70UI
KM62U256DLGE-8L	IS62LV256-70UI
KM62U256DLGI-10L	IS62LV256-100UI
KM62U256DLGI-7L	IS62LV256-70UI
KM62U256DLGI-8L	IS62LV256-70UI
KM62U256DLTG-10L	IS62LV256-100T
KM62U256DLTG-7L	IS62LV256-70T
KM62U256DLTG-8L	IS62LV256-70T
KM62U256DLTGE-10L	IS62LV256-100TI
KM62U256DLTGE-7L	IS62LV256-70TI
KM62U256DLTGE-8L	IS62LV256-70TI
KM62U256DLTGI-10L	IS62LV256-100TI
KM62U256DLTGI-7L	IS62LV256-70TI
KM62U256DLTGI-8L	IS62LV256-70TI
KM62V256CLETG-10	IS62LV256-100TI
KM62V256CLETG-7	IS62LV256-70TI
KM62V256CLTG-10	IS62LV256-100T
KM62V256CLTG-7	IS62LV256-70T

SAMSUNG	ISSI
KM62V256D	IS62LV256
KM62V256DLG-7L	IS62LV256-70U
KM62V256DLGE-7L	IS62LV256-70UI
KM62V256DLGI-7L	IS62LV256-70UI
KM62V256DLTG-10L	IS62LV256-100T
KM62V256DLTG-7L	IS62LV256-70T
KM62V256DLTGE-10L	IS62LV256-100TI
KM62V256DLTGE-7L	IS62LV256-70TI
KM62V256DLTGI-10L	IS62LV256-100TI
KM62V256DLTGI-7L	IS62LV256-70TI
KM681000BLET-10	IS62C1024L-70TI
KM681000BLET-7	IS62C1024L-70TI
KM681000BLG-10	IS62C1024-70Q
KM681000BLG-5	IS62C1024L-55Q
KM681000BLG-7	IS62C1024L-70Q
KM681000BLIT-10	IS62C1024L-70TI
KM681000BLIT-7	IS62C1024L-70TI
KM681000BLP-10	IS62C1024-70W
KM681000BLP-5	IS62C1024L-55W
KM681000BLP-7	IS62C1024L-70W
KM681000BLT-10	IS62C1024-70T
KM681000BLT-5	IS62C1024L-55T
KM681000BLT-7	IS62C1024L-70T
KM681001AJ-15	IS61C1024-15K
KM681001AJ-20	IS61C1024-20K
KM681001AP-15	IS61C1024-15M
KM681001AP-17	IS61C1024-15M
KM681001AP-20	IS61C1024-20M
KM681001BJ-15	IS61C1024-15J
KM681001BJ-20	IS61C1024-20J
KM681001BSJ-15	IS61C1024-15K
KM681001BSJ-20	IS61C1024-20K
KM681001J-20	IS61C1024-20K
KM681001J-25	IS61C1024-25K
KM681001J-35	IS61C1024-25K
KM681001P-20	IS61C1024-20M
KM681001P-25	IS61C1024-25M
KM681001P-35	IS61C1024-25M
KM681002AJ-12	IS61C1024-12K
KM681002AJ-15	IS61C1024-15K
KM681002AJ-20	IS61C1024-20K
KM681002AJI-12	IS61C1024-12KI
KM681002AJI-15	IS61C1024-15KI
KM681002AJI-20	IS61C1024-20KI
KM681002AT-12	IS61C1024-12T
KM681002BJ-12	IS61C1024-12K
KM681002BJI-12	IS61C1024-12KI
KM681002CJ/CLJ-12	IS61C1024-12K
KM681002CJ/CLJ-15	IS61C1024-15K
KM681002CJ/CLJ-20	IS61C1024-20K
KM681002CJI/CLJI-12	IS61C1024-12KI
KM681002CJI/CLJI-15	IS61C1024-15KI
KM681002CJI/CLJI-20	IS61C1024-20KI
KM681002CT/CLT-12	IS61C1024-12T

SRAM

SAMSUNG	ISSI	SAMSUNG	ISSI	SAMSUNG	ISSI
KM68257AJ-12	IS61C256AH-12J	KM68V1000BLT-70	IS62LV1024L-70T1	KM68V1002CTI/CLTI-20	IS63LV1024-20TI
KM68257AJ-15	IS61C256AH-15J	KM68V1000BLT-70	IS62LV1024LL-70T1	KM68V257AJ-15	IS61LV256-15J
KM68257AJ-20	IS61C256AH-20J	KM68V1000BLT-85	IS62LV1024L-70T1	KM68V257AJ-17	IS61LV256-15J
KM68257AP-12	IS61C256AH-12N	KM68V1000CLG-10	IS62LV1024L-70Q	KM68V257AJ-20	IS61LV256-20J
KM68257AP-15	IS61C256AH-15N	KM68V1000CLG-70	IS62LV1024L-70Q	KM68V257AP-15	IS61LV256-15N
KM68257AP-20	IS61C256AH-20N	KM68V1000CLG-70	IS62LV1024LL-70H	KM68V257AP-17	IS61LV256-15N
KM68257BJ-12	IS61C256AH-12J	KM68V1000CLG-70	IS62LV1024LL-70Q	KM68V257AP-20	IS61LV256-20N
KM68257BJ-15	IS61C256AH-15J	KM68V1000CLG-85	IS62LV1024L-70Q	KM68V257BJ-15	IS61LV256-15J
KM68257BJ-20	IS61C256AH-20J	KM68V1000CLT-10	IS62LV1024L-70T1	KM68V257BJ-17	IS61LV256-15J
KM68257BP-12	IS61C256AH-12N	KM68V1000CLT-70	IS62LV1024L-70T1	KM68V257BJ-20	IS61LV256-20J
KM68257BP-15	IS61C256AH-15N	KM68V1000CLT-70	IS62LV1024LL-70T1	KM68V257BP-15	IS61LV256-15N
KM68257BP-20	IS61C256AH-20N	KM68V1000CLT-85	IS62LV1024L-70T1	KM68V257BP-17	IS61LV256-15N
KM68257CJ-12	IS61C256AH-12J	KM68V1000CLTG-10	IS62LV1024L-70H	KM68V257BP-20	IS61LV256-20N
KM68257CJ-15	IS61C256AH-15J	KM68V1000CLTG-70	IS62LV1024L-70H	KM68V257CJ-15	IS61LV256-15J
KM68257CJ-20	IS61C256AH-20J	KM68V1000CLTG-85	IS62LV1024L-70H	KM68V257CJ-15	IS62LV256L-15J
KM68257CP-12	IS61C256AH-12N	KM68V1002AJ-12	IS63LV1024-12K	KM68V257CJ-17	IS61LV256-15J
KM68257CP-15	IS61C256AH-15N	KM68V1002AJ-12	IS63LV1024-12K	KM68V257CJ-20	IS61LV256-20J
KM68257CP-20	IS61C256AH-20N	KM68V1002AJ-15	IS63LV1024-15K	KM68V257CJ-20	IS62LV256L-20J
KM68257E	IS61C256AH	KM68V1002AJ-15	IS63LV1024-15K	KM68V257CP-15	IS61LV256-15N
KM68257EJ-10	IS61C256AH-10J	KM68V1002AJ-17	IS63LV1024-15K	KM68V257CP-15	IS62LV256L-15N
KM68257EJ-12	IS61C256AH-12J	KM68V1002AJ-20	IS63LV1024-15K	KM68V257CP-17	IS61LV256-15N
KM68257EJ-15	IS61C256AH-15J	KM68V1002AJ-20	IS63LV1024-15K	KM68V257CP-20	IS61LV256-20N
KM68257EJ-12	IS61C256AH-12J	KM68V1002AJ-12	IS63LV1024-12KI	KM68V257CP-20	IS62LV256L-20N
KM68257EJ-15	IS61C256AH-15J	KM68V1002AJI-12	IS63LV1024-12KI	KM68V257CTG-15	IS62LV256L-15T1
KM68257EJ-12	IS61C256AH-12J	KM68V1002AJI-15	IS63LV1024-15KI	KM68V257CTG-20	IS62LV256L-20T1
KM68257EJ-15	IS61C256AH-15J	KM68V1002AJI-20	IS63LV1024-15KI	KM68V257E	IS61LV256
KM68257ETG-10	IS61C256AH-10T	KM68V1002AT-12	IS63LV1024-12T	KM68V257EJ-12	IS61LV256-12J
KM68257ETG-12	IS61C256AH-12T	KM68V1002AT-12	IS63LV1024-12T	KM68V257EJ-15	IS61LV256-15J
KM68257ETG-15	IS61C256AH-15T	KM68V1002AT-15	IS63LV1024-15T	KM68V257EJ-20	IS61LV256-20J
KM68257ETGI-12	IS61C256AH-12TI	KM68V1002AT-15	IS63LV1024-15T	KM68V257EJ-12	IS61LV256-12J
KM68257ETGI-15	IS61C256AH-15TI	KM68V1002AT-17	IS63LV1024-15T	KM68V257EJ-15	IS61LV256-15J
KM68512ALG-4	IS61C512-35Q	KM68V1002AT-20	IS63LV1024-15T	KM68V257EJ-20	IS61LV256-20J
KM68512ALG-5	IS61C512-35Q	KM68V1002AT-20	IS63LV1024-15T	KM68V257EJ-12	IS61LV256-12J
KM6865BJ-15	IS61C64AH-15J	KM68V1002AT-20	IS63LV1024-15T	KM68V257EJ-15	IS61LV256-15J
KM6865BJ-20	IS61C64AH-20J	KM68V1002ATI-12	IS63LV1024-12TI	KM68V257EJ-20	IS61LV256-20J
KM6865BJ-25	IS61C64AH-25J	KM68V1002ATI-15	IS63LV1024-15TI	KM68V257EJ-12	IS61LV256-12J
KM6865BP-15	IS61C64AH-15N	KM68V1002ATI-20	IS63LV1024-15TI	KM68V257EJ-15	IS61LV256-15J
KM6865BP-20	IS61C64AH-20N	KM68V1002BJ/BLJ-10	IS63LV1024-10K	KM68V257EJ-20	IS61LV256-20J
KM6865BP-25	IS61C64AH-25N	KM68V1002BJ/BLJ-12	IS63LV1024-12K	KM68V257EJ-12	IS61LV256-12J
KM68BV4002J-12	IS61LV5128-12K	KM68V1002BJ/BLJ-10	IS63LV1024-10KI	KM68V257EJ-15	IS61LV256-15J
KM68BV4002J-15	IS61LV5128-15K	KM68V1002BJ/BLJ-12	IS63LV1024-12KI	KM68V257EJ-20	IS61LV256-20J
KM68FV1000G-70	IS62LV1024L-70Q	KM68V1002BT/BLT-10	IS63LV1024-10T	KM68V257EJ-12	IS61LV256-12J
KM68FV1000G-70	IS62LV1024LL-70Q	KM68V1002BT/BLT-12	IS63LV1024-12T	KM68V257EJ-15	IS61LV256-15J
KM68FV1000G-85	IS62LV1024L-70Q	KM68V1002BTI/BLTI-10	IS63LV1024-10TI	KM68V257EJ-20	IS61LV256-20J
KM68FV1000T-70	IS62LV1024L-70T1	KM68V1002BTI/BLTI-12	IS63LV1024-12TI	KM68V257P-15	IS61LV256-15N
KM68FV1000T-70	IS62LV1024LL-70T1	KM68V1002CJ/CLJ-12	IS63LV1024-12K	KM68V257P-17	IS61LV256-15N
KM68FV1000T-85	IS62LV1024L-70T1	KM68V1002CJ/CLJ-15	IS63LV1024-15K	KM68V257P-20	IS61LV256-20N
KM68FV1000TG-10	IS62LV1024LL-70H	KM68V1002CJ/CLJ-20	IS63LV1024-20K	KM68V4002AJ-12	IS61LV5128-12K
KM68FV1000TG-70	IS62LV1024L-70H	KM68V1002CJI/CLJI-12	IS63LV1024-12KI	KM68V4002AJ-15	IS61LV5128-15K
KM68FV1000TG-70	IS62LV1024LL-70H	KM68V1002CJI/CLJI-15	IS63LV1024-15KI	KM68V4002BJ-12	IS61LV5128-12K
KM68FV1000TG-85	IS62LV1024L-70H	KM68V1002CJI/CLJI-20	IS63LV1024-20KI	KM68V4002BJ-15	IS61LV5128-15K
KM68V1000BLG-10	IS62LV1024LL-70Q	KM68V1002CT/CLT-12	IS63LV1024-12T	KM68V4002BT-15	IS61LV5128-15T2
KM68V1000BLG-70	IS62LV1024L-70Q	KM68V1002CT/CLT-15	IS63LV1024-15T	KM718V889G-3.5	IS61SP25618-3.5TQ
KM68V1000BLG-70	IS62LV1024LL-70Q	KM68V1002CT/CLT-20	IS63LV1024-20T	KM718V889G-3.8	IS61SP25618-3.8TQ
KM68V1000BLG-85	IS62LV1024L-70Q	KM68V1002CTI/CLTI-12	IS63LV1024-12TI	KM718V890G-4.5	IS61SP25618-4.5TQ
KM68V1000BLT-10	IS62LV1024LL-70T1	KM68V1002CTI/CLTI-15	IS63LV1024-15TI	KM718V890G-5	IS61SP25618-5TQ

SRAM

SAMSUNG	ISSI	
KM732V588-15	IS61C632A-8PQ	
KM732V588-17	IS61C632A-9PQ	
KM732V589A/LG-7	IS61C632A-7TQ	
KM732V589A/LG-8	IS61C632A-8TQ	
KM732V595A/LG-4.8	IS61LV632A-4TQ	
KM732V595A/LG-5	IS61LV632A-5TQ	
KM732V595A/LG-5.5	IS61LV632A-5TQ	
KM732V595A/LG-6	IS61LV632A-6TQ	
KM732V595A/LG-7	IS61LV632A-7TQ	
KM732V599A/LG-4.5	IS61C632A-4TQ	
KM732V599A/LG-5	IS61C632A-5TQ	
<hr/>		
KM732V688/LG-6	IS61S6432-6PQ	
KM732V688/LG-6	IS61S6432-6TQ	
KM732V688/LG-7	IS61S6432-7PQ	
KM732V688/LG-7	IS61S6432-7TQ	
KM732V696/LG-6	IS61LV6432-6TQ	
KM732V696/LG-7	IS61LV6432-7TQ	
KM736V689/LG-4.5	IS61SP6436-4.5TQ	
KM736V689/LG-5	IS61SP6436-4.8TQ	
KM736V689/LG-5	IS61SP6436-5TQ	
KM736V689/LG-6	IS61SP6436-6TQ	
KM736V789G-3.5	IS61SP12836-3.5TQ	
KM736V789G-3.8	IS61SP12836-3.8TQ	
KM736V790G-4.5	IS61SP12836-4TQ	
KM736V790G-5	IS61SF12836-11TQ	
<hr/>		
SGS THOMPSON	ISSI	
PACKAGE SYMBOL		
N	N	PDIP (300mil)
PS	M	PDIP (300mil)
N	W	PDIP (600mil)
E	J	SOJ (300mil)
E	K	SOJ (400mil)
X	J	SOJ (300mil)
<hr/>		
M628032-12EI	IS61C256AH-12J	
M628032-12PSI	IS61C256AH-12N	
M628032-15EI	IS61C256AH-15J	
M628032-15PSI	IS61C256AH-15N	
M628032-20EI	IS61C256AH-20J	
M628032-20PSI	IS61C256AH-20N	
<hr/>		
M628128-15E1	IS61C1024-15K	
M628128-17E1	IS61C1024-15K	
M628128-20E1	IS61C1024-20K	
M628128-25E1	IS61C1024-25K	
<hr/>		
MK4832LN-120	IS62C256-100W	
MK4832LN-70	IS62C256-70W	
MK48H64LN-120	IS62C64-100W	
MK48H64LN-70	IS62C64-70W	
MK48H64N-120	IS62C64-100W	
MK48H64N-70	IS62C64-70W	
MK48S74N-20	IS61C64AH-20N	
MK48S74N-25	IS61C64AH-25N	
MK48S74N-35	IS61C64AH-25N	
MK48S74X-20	IS61C64AH-20J	

SGS THOMPSON	ISSI	
MK48S74X-25	IS61C64AH-25J	
MK48S74X-35	IS61C64AH-25J	
MK48S80N-17	IS61C64AH-15N	
MK48S80N-20	IS61C64AH-20N	
MK48S80N-25	IS61C64AH-25N	
MK48S80X-17	IS61C64AH-15J	
MK48S80X-20	IS61C64AH-20J	
MK48S80X-25	IS61C64AH-25J	
<hr/>		
SHARP	ISSI	
PACKAGE SYMBOL		
D	N	PDIP (300mil)
BLANK	W	PDIP (600mil)
D	W	PDIP (600mil)
K	J	SOJ (300mil)
N	U	SOJ (400mil)
BLANK	TQ	TQFP
T	T	TSOP
<hr/>		
LH51256-100	IS62C256-100W	
LH51256-120	IS62C256-100W	
LH51256L-100	IS62C256-100W	
LH51256L-120	IS62C256-100W	
LH51256LN-100	IS62C256-100U	
LH51256LN-120	IS62C256-100U	
LH51256N-100	IS62C256-100U	
LH51256N-120	IS62C256-100U	
<hr/>		
LH5164AD-100	IS62C64-70W	
LH5164AD-80	IS62C64-70W	
LH5164AN-100	IS62C64-70U	
LH5164AN-80	IS62C64-70U	
LH5164LD-100	IS62C64-100W	
<hr/>		
LH51V1016	IS62V6416LL	
LH51V1016CJY-85LL	IS62V6416LL-70BI	
LH51V1016JS-70LL	IS62V6416LL-70TI	
LH51V20008JS	IS6LV2568L/LL	
LH51V20008JS-85LL	IS6LV2568LL-70T	
LH51V2016	IS62LV12816L	
LH51V2016JS-85LL	IS62LV12816L-70TI	
LH51V2016JY-85LL	IS62LV12816L-70BI	
<hr/>		
LH521007AK-20	IS61C1024-20J	
LH521007AK-25	IS61C1024-25J	
LH521007BK-20	IS61C1024-20J	
LH521007BK-25	IS61C1024-25J	
LH521007K-20	IS61C1024-20J	
LH521007K-25	IS61C1024-25J	
LH521008K-20	IS61C1024-20J	
LH521008K-25	IS61C1024-25J	
LH521008K-35	IS61C1024-25J	
<hr/>		
LH52256-70	IS62C256-70W	
LH52256-90	IS62C256-70W	
LH52256L-120	IS62C256-100W	
LH52256L-70	IS62C256-70W	
LH52256L-90	IS62C256-70W	

SHARP	ISSI	
LH52256LN-120	IS62C256-100U	
LH52256LN-70	IS62C256-70U	
LH52256LN-90	IS62C256-70U	
LH52256N-120	IS62C256-100U	
LH52256N-70	IS62C256-70U	
LH52256N-90	IS62C256-70U	
<hr/>		
LH52258AD-20	IS61C256AH-20N	
LH52258AD-25	IS61C256AH-20N	
LH52258AK-20	IS61C256AH-20J	
LH52258AK-25	IS61C256AH-20J	
LH52258BK-20	IS61C256AH-20J	
LH52258D-30	IS61C256AH-20N	
LH52258D-35	IS61C256AH-20N	
LH52258K-30	IS61C256AH-20J	
LH52258K-35	IS61C256AH-20J	
<hr/>		
LH52B256L-100	IS62C256-100W	
LH52B256L-70	IS62C256-70W	
LH52B256L-90	IS62C256-70W	
LH52B256N-100	IS62C256-100U	
LH52B256N-70	IS62C256-70U	
LH52B256N-90	IS62C256-70U	
LH52B256T-100	IS62C256-100T	
LH52B256T-70	IS62C256-70T	
LH52B256T-90	IS62C256-70T	
<hr/>		
LH52CV1000-70T	IS62LV1024LL-70T1	
LH52D1000-85S	IS62LV1024L-70H	
LH52D1000-85S	IS62LV1024LL-70H	
LH52D1000-85T	IS62LV1024L-70T1	
LH52D1000-85T	IS62LV1024LL-70T1	
<hr/>		
SMOS	ISSI	
PACKAGE SYMBOL		
C	N	PDIP (300mil)
C	W	PDIP (600mil)
M	U	SOP (450mil)
M	Q	SOP (525mil)
TM	T	TSOP
<hr/>		
SRM20100LC-100	IS62C1024-70W	
SRM20100LC-70	IS62C1024-70W	
SRM20100LC-85	IS62C1024-70W	
SRM20100LCT-10	IS62C1024L-70W	
SRM20100LCT-10	IS62C1024L-70W	
SRM20100LCT-70	IS62C1024L-70W	
SRM20100LCT-85	IS62C1024L-70W	
SRM20100LCT-85	IS62C1024L-70W	
SRM20100LM-100	IS62C1024-70Q	
SRM20100LM-70	IS62C1024-70Q	
SRM20100LM-85	IS62C1024-70Q	
SRM20100LMT-10	IS62C1024L-70Q	
SRM20100LMT-10	IS62C1024L-70Q	
SRM20100LMT-70	IS62C1024L-70Q	
SRM20100LMT-85	IS62C1024L-70Q	
SRM20100LMT-85	IS62C1024L-70Q	

SRAM

SRAM		SRAM		SRAM	
TOSHIBA	ISSI	TOSHIBA	ISSI	TOSHIBA	ISSI
TC551001AFL-100	IS62C1024L-70Q	TC55257BIFT-85	IS62C256-70TI	TC55V1001F-10	IS62LV1024L-70Q
TC551001AFL-70	IS62C1024L-70Q	TC55257BP-100	IS62C256-100W	TC55V1001F-10L	IS62LV1024LL-70Q
TC551001AFL-85	IS62C1024L-70Q	TC55257BP-70	IS62C256-70W	TC55V1001F-85	IS62LV1024L-70Q
TC551001AFT-100	IS62C1024-70T	TC55257BP-85	IS62C256-70W	TC55V1001F-85L	IS62LV1024LL-70Q
TC551001AFT-70	IS62C1024-70T	TC55257CF-100	IS62C256-100U	TC55V1001FT-10	IS62LV1024L-70T
TC551001AFT-85	IS62C1024-70T	TC55257CF-70	IS62C256-70U	TC55V1001FT-10L	IS62LV1024LL-70T
TC551001AFTL-100	IS62C1024L-70T	TC55257CF-85	IS62C256-70U	TC55V1001FT-85	IS62LV1024L-70T
TC551001AFTL-70	IS62C1024L-70T	TC55257CFT-100	IS62C256-100T	TC55V1001FT-85L	IS62LV1024LL-70T
TC551001AFTL-85	IS62C1024L-70T	TC55257CFT-70	IS62C256-70T	TC55V1325FF-10	IS61C632A-8TQ
TC551001AIFTL-100	IS62C1024L-70TI	TC55257CFT-85	IS62C256-70T	TC55V1325FF-10	IS61C632A-8TQ
TC551001AIFTL-70	IS62C1024L-70TI	TC55257CIFT-100	IS62C256-100TI	TC55V1325FF-7	IS61C632A-7TQ
TC551001AIFTL-85	IS62C1024L-70TI	TC55257CIFT-70	IS62C256-70TI	TC55V1325FF-7	IS61C632A-7TQ
TC551001AP-100	IS62C1024-70W	TC55257CIFT-85	IS62C256-70TI	TC55V1325FF-8	IS61C632A-8TQ
TC551001AP-70	IS62C1024-70W	TC55257CP-100	IS62C256-100W	TC55V1325FF-8	IS61C632A-8TQ
TC551001AP-85	IS62C1024-70W	TC55257CP-70	IS62C256-70W	TC55V1325FF-9	IS61C632A-8TQ
TC551001APL-100	IS62C1024L-70W	TC55257CP-85	IS62C256-70W	TC55V16256	IS61LV25616
TC551001APL-70	IS62C1024L-70W	TC55328AJ-15	IS61C256AH-15J	TC55V16256BFT-12	IS61LV25616-12T
TC551001APL-85	IS62C1024L-70W	TC55328AJ-20	IS61C256AH-20J	TC55V16256BFT-15	IS61LV25616-15T
TC551001BF-100	IS62C1024-70Q	TC55328AJ-25	IS61C256AH-20J	TC55V16256BJ-12	IS61LV25616-12K
TC551001BF-100	IS62C1024-70Q	TC55328AJ-35	IS61C256AH-20J	TC55V16256BJ-15	IS61LV25616-15K
TC551001BF-70	IS62C1024-70Q	TC55328AP-15	IS61C256AH-15N	TC55V1664	IS61LV6416
TC551001BF-85	IS62C1024-70Q	TC55328AP-20	IS61C256AH-20N	TC55V1664BFT-10	IS61LV6416-10T
TC551001BFL-100	IS62C1024L-70Q	TC55328AP-25	IS61C256AH-20N	TC55V1664BFT-12	IS61LV6416-12T
TC551001BFL-70	IS62C1024L-70Q	TC55328AP-35	IS61C256AH-20N	TC55V1664BJ-10	IS61LV6416-10K
TC551001BFL-85	IS62C1024L-70Q	TC5565AFT-100	IS62C64-100U	TC55V1664BJ-12	IS61LV6416-12K
TC551001BFT-100	IS62C1024-70T	TC5565AFT-120	IS62C64-100U	TC55V2001	IS6LV2568LL
TC551001BFT-70	IS62C1024-70T	TC5565AFT-150	IS62C64-100U	TC55V2001FTI-10L	IS6LV2568LL-10T
TC551001BFT-85	IS62C1024-70T	TC5565ALP-100	IS62C64-100W	TC55V2001FTI-85L	IS6LV2568LL-70T
TC551001BFTL-100	IS62C1024L-70T	TC5565ALP-120	IS62C64-100W	TC55V2001STI-10L	IS6LV2568LL-10H
TC551001BFTL-70	IS62C1024L-70T	TC5565ALP-150	IS62C64-100W	TC55V2001STI-85L	IS6LV2568LL-70H
TC551001BFTL-85	IS62C1024L-70T	TC5588J-15	IS61C64AH-15J	TC55V2161	IS62LV12816LL
TC551001BIFTL-100	IS62C1024L-70TI	TC5588J-20	IS61C64AH-20J	TC55V2161FT-10	IS62LV12816LL-100T
TC551001BIFTL-70	IS62C1024L-70TI	TC5588J-25	IS61C64AH-25J	TC55V2161FT-10L	IS62LV12816LL-100T
TC551001BIFTL-85	IS62C1024L-70TI	TC5588J-35	IS61C64AH-25J	TC55V2161FT-85	IS62LV12816LL-70T
TC551001BP-100	IS62C1024-70W	TC5588P-15	IS61C64AH-15N	TC55V2161FT-85L	IS62LV12816LL-70T
TC551001BP-70	IS62C1024-70W	TC5588P-20	IS61C64AH-20N	TC55V2161FTI-10	IS62LV12816LL-100TI
TC551001BP-85	IS62C1024-70W	TC5588P-25	IS61C64AH-25N	TC55V2161FTI-10L	IS62LV12816LL-100TI
TC551001BPL-100	IS62C1024L-70W	TC5588P-35	IS61C64AH-25N	TC55V2161FTI-85	IS62LV12816LL-70TI
TC551001BPL-70	IS62C1024L-70W	TC55B328J-10	IS61C256AH-10J	TC55V2161FTI-85L	IS62LV12816LL-70TI
TC551001BPL-85	IS62C1024L-70W	TC55B328J-12	IS61C256AH-12J	TC55V328J-20	IS61LV256-20J
TC551664	IS61C6416	TC55B328P-10	IS61C256AH-10N	TC55V328J-25	IS61LV256-25J
TC551664BFT-10	IS61C6416-10T	TC55B328P-12	IS61C256AH-12N	TC55V328J-35	IS61LV256-25J
TC551664BFT-12	IS61C6416-12T	TC55V1001AF-10	IS62LV1024L-70Q	TC55V328NJ,BFT-15	IS62LV256L-15J
TC551664BFT-15	IS61C6416-15T	TC55V1001AF-10L	IS62LV1024LL-70Q	TC55V328NJ,BFT-15	IS62LV256L-15J
TC551664BJ-10	IS61C6416-10K	TC55V1001AF-85	IS62LV1024L-70Q	TC55V328NJ,BFT-15	IS62LV256L-15T1
TC551664BJ-12	IS61C6416-12K	TC55V1001AF-85L	IS62LV1024LL-70Q	TC55V328NJ,BFT-15	IS62LV256L-15T1
TC551664BJ-15	IS61C6416-15K	TC55V1001AFT-10	IS62LV1024L-70T	TC55V8128B	IS63LV1024
TC55257BF-100	IS62C256-100U	TC55V1001AFT-10L	IS62LV1024LL-70T	TC55V8128BFT-10	IS63LV1024-10T
TC55257BF-70	IS62C256-70U	TC55V1001AFT-85	IS62LV1024L-70T	TC55V8128BFT-12	IS63LV1024-12T
TC55257BF-85	IS62C256-70U	TC55V1001AFT-10L	IS62LV1024LL-70T	TC55V8128BJ-10	IS63LV1024-10K
TC55257BFT-100	IS62C256-100T	TC55V1001AFT-85	IS62LV1024L-70T	TC55V8128BJ-12	IS63LV1024-12K
TC55257BFT-70	IS62C256-70T	TC55V1001AFT-85L	IS62LV1024LL-70T	TC55V8512	IS61LV5128
TC55257BFT-85	IS62C256-70T	TC55V1001AST-10	IS62LV1024L-70H		
TC55257BFT-85	IS62C256-70T	TC55V1001AST-10L	IS62LV1024LL-70H		
TC55257BIFT-100	IS62C256-100TI	TC55V1001AST-85	IS62LV1024L-70H		
TC55257BIFT-70	IS62C256-70TI	TC55V1001AST-85L	IS62LV1024LL-70H		

SRAM

TOSHIBA	ISSI
TC55V8512FT-12	IS61LV5128-12T
TC55V8512FT-15	IS61LV5128-15T
TC55V8512J-12	IS61LV5128-12K
TC55V8512J-15	IS61LV5128-15K

WINDBOND	ISSI
PACKAGE SYMBOL	
K N	PDIP (300mil)
W	PDIP (600mil)
J J	SOJ (300mil)
S U	SOJ (400mil)
T T	TSOP

25P010A-D6/ 25P012A-D6	IS61C632A-6TQ
25P010A-D7/ 25P012A-D7	IS61C632A-7TQ
25P010A-F6/ 25P012A-F6	IS61C632A-6PQ
25P010A-F7/ 25P012A-F7	IS61C632A-7PQ

25P022A-D6	IS61S6432-6TQ
25P022A-D7	IS61S6432-7TQ
25P022A-F6	IS61S6432-6PQ
25P022A-F7	IS61S6432-7PQ
25P025A-D6	IS61LV6432-6TQ
25P025A-D7	IS61LV6432-7TQ
25P025A-F6	IS61LV6432-6PQ
25P025A-F7	IS61LV6432-7PQ
25P222A-D4	IS61S6432-133TQ
25P222A-D4.5	IS61S6432-117TQ
25P222A-F4	IS61S6432-133PQ
25P222A-F4.5	IS61S6432-117PQ

W24010AS-35	IS62C1024L-35Q
W24010AT-35	IS62C1024L-35T1
W24010Q-10	IS62LV1024L-70H
W24010Q-10	IS62LV1024LL-70H
W24010S-10	IS62LV1024L-70Q
W24010S-10	IS62LV1024LL-70Q
W24010T-10	IS62LV1024L-70T1
W24010T-10	IS62LV1024LL-70T1
W241024AJ-15	IS61C1024-15J
W241024AJ-20	IS61C1024-20J
W241024AK-15	IS61C1024-15N
W241024AK-20	IS61C1024-20N
W241024AT-15	IS61C1024-15T
W241024AT-20	IS61C1024-20T

W24257	IS61LV256
W24257-100xx	IS62C256-100W
W24257-70xx	IS62C256-70W
W24257AJ-12	IS61C256AH-12J
W24257AJ-12	IS61C256AH-12J
W24257AJ-12	IS61LV256-12J
W24257AJ-15	IS61C256AH-15J
W24257AJ-15	IS61C256AH-15J
W24257AJ-15	IS61LV256-15J
W24257AJ-20	IS61C256AH-20J
W24257AJ-20	IS61C256AH-20J
W24257AJ-20	IS61LV256-20J

WINDBOND	ISSI
W24257AK-12	IS61C256AH-12N
W24257AK-12	IS61C256AH-12N
W24257AK-15	IS61C256AH-15N
W24257AK-15	IS61C256AH-15N
W24257AK-20	IS61C256AH-20N
W24257AK-20	IS61C256AH-20N
W24257AQ-12	IS61LV256-12T
W24257AQ-15	IS61LV256-15T
W24257AQ-20	IS61LV256-20T
W24257AT-12	IS61C256AH-12T
W24257AT-12	IS61C256AH-12T
W24257AT-15	IS61C256AH-15T
W24257AT-15	IS61C256AH-15T
W24257AT-20	IS61C256AH-20T
W24257AT-20	IS61C256AH-20T

W24257S-100xx	IS62C256-100W
W24257S-70xx	IS62C256-100W
W24257T-100xx	IS62C256-100T
W24257T-70xx	IS62C256-70T
W24258	IS62C256
W24258Q-55LL	IS62C256-45T
W24258Q-70LL	IS62C256-70T
W24258S-55LL	IS62C256-45U
W24258S-70LL	IS62C256-70U

W24512AJ-15	IS61C512-15J
W24512AJ-20	IS61C512-20J
W24512AK-15	IS61C512-15N
W24512AK-20	IS61C512-20N
W24512AT-15	IS61C512-15T
W24512AT-20	IS61C512-20T
W24512S-55xx	IS61C512-35Q
W24512T-55xx	IS61C512-35T

W2465-10xx	IS62C64-100W
W2465-70xx	IS62C64-70W
W2465AJ-15	IS61C64AH-15J
W2465AJ-20	IS61C64AH-20J
W2465AK-15	IS61C64AH-15N
W2465AK-20	IS61C64AH-20N
W2465S-10xx	IS62C64-100U
W2465S-70xx	IS62C64-70U

W24M257AJ-12	IS61LV256-12J
W24M257AJ-15	IS61LV256-15J
W24M257AJ-20	IS61LV256-20J
W24M257AK-12	IS61LV256-12N
W24M257AK-15	IS61LV256-15N
W24M257AK-20	IS61LV256-20N
W25P240A-D4	IS61SP6464-133TQ
W25P240A-D4A	IS61SP6464-117TQ
W25P240A-F4	IS61SP6464-133PQ
W25P240A-F4A	IS61SP6464-117PQ

W26020A	IS61C12816
W26020AT-20	IS61C12816-20T
W26020AT-25	IS61C12816-20T

DRAM

ALLIANCE	ISSI
AS4C256K16E0	IS41C16256
AS4C256K16E0	IS41C16256
AS4C256K16F0	IS41C16257
AS4C256K16E0	IS41C16256
AS4C256K16F0	IS41C16257
AS4LC256K16E0	IS41LV16256
AS4C1M16E5	IS41C16100
AS4C1M16F5	IS41C16105
AS4LC1M16E5	IS41LV16100
AS4LC1M16F5	IS41LV16105
AS4C4M4E1	IS41C44002
AS4C4M4E0	IS41C44004
AS4C4M4F1	IS41C44052
AS4C4M4F0	IS41C44054
AS4LC1M16S0	IS42S16100

ELITE	ISSI
M12L16161A	IS42S16100
M32L1632512A	IS42G32256

ETRON	ISSI
EM614163	IS41C16256
EM614163	IS41C16256
EM634163	IS41C16257
EM636327	IS42G32256
EM614163A	IS41C16256
EM634163A	IS41LV16256
EM634165	IS42S16128
EM636165	IS42S16100
EM636327	IS42G32256

FUJITSU	ISSI
MB814265	IS41C16256
MB814260	IS41C16257
MB81G163222	IS42G32256
MB814265	IS41C16256
MB814260	IS41C16257
MB81V4265	IS41LV16256
MB81V4260	IS41LV16257

MB8118165	IS41C16100
MB8118160	IS41C16105
MB81V18165	IS41LV16100
MB81V18160	IS41LV16105
MB8117405	IS41C44002
MB8116405	IS41C44004
MB8117400	IS41C44052
MB8116400	IS41C44054

MB81V17405	IS41LV44002
MB81V16405	IS41LV44004
MB81V17400	IS41LV44052
MB81V16400	IS41LV44054
MB81F161622B	IS42S16100
MB81D163222	IS42G32256

DRAM

G-LINK	ISSI
GLT42016	IS41C16128
GLT44016	IS41C16256
GLT44116	IS41C16257
GLT440L16	IS41LV16256
GLT441L16	IS41LV16257
GLT540L16	IS42S16128
GLT5160L16	IS42S16100

HITACHI	ISSI
HM514265D	IS41C16256
HM514260D	IS41C16257
HM51W4265D	IS41LV16256
HM51W4260D	IS41LV16257
HM5241605C	IS42S16128
HM8118165	IS41C16100
HM8118160	IS41C16105
HM81V18165	IS41LV16100
HM81V18160	IS41LV16105

HM8117405	IS41C44002
HM8116405	IS41C44004
HM8117400	IS41C44052
HM8116400	IS41C44054
HM81V17405	IS41LV44002
HM81V16405	IS41LV44004
HM81V17400	IS41LV44052
HM81V16400	IS41LV44054
HM5216805	IS42S16100
HM5216326	IS42G32256
HM514265	IS41C16256
HM51W4265	IS41LV16256
HM514260	IS41C16257
HM5241605	IS42S16128
HM5216326	IS42G32256

HYUNDAI	ISSI
HY514264	IS41C16256
HY512260	IS41C16257
HY581632100	IS42G32256
HY514264B	IS41C16256
HY514260B	IS41C16257
HY57V41610	IS42S16128
HY5118164C	IS41C16100
HY5118160C	IS41C16105
HY51V18164C	IS41LV16100
HY51V18160C	IS41LV16105
HY5117404B	IS41C44002
HY5117400B	IS41C44004
HY5116404B	IS41C44052
HY5116400B	IS41C44054
HY51V17404B	IS41LV44002
HY51V17400B	IS41LV44004
HY51V16404B	IS41LV44052
HY51V16400B	IS41LV44054
HY57V161610D	IS42S16100

HYUNDAI	ISSI
HY58163210	IS42G32256
HY57V653220B	IS42S32200

LG SEMICON	ISSI
GM71C4265	IS41C16256
GM71C4260	IS41C16257
GM71C16405	IS41C44002
GM71C17405	IS41C44004
GM71C16400	IS41C44052
GM71C17400	IS41C44054
GM71V16405	IS41LV44002
GM71V17405	IS41LV44004
GM71V16400	IS41LV44052
GM71V17400	IS41LV44054

MICRON	ISSI
MT4C16270	IS41C16256
MT4C16257	IS41C16257
MT4LC16270	IS41LV16256
MT4LC16257	IS41LV16257
MT4C1M16E5	IS41C16100
MT4C1M16C3	IS41C16105
MT4LC1M16E5	IS41LV16100
MT4LC1M16C3	IS41LV16105

MT4C4M4E8	IS41C44002
MT4C4M4E9	IS41C44004
MT4C4M4B1	IS41C44052
MT4C4M4A1	IS41C44054
MT4LC4M4E8	IS41LV44002
MT4LC4M4E9	IS41LV44004
MT4LC4M4B1	IS41LV44052
MT4LC4M4A1	IS41LV44054
MT4LC1M16A1	IS42S16100
MT41LC512K32	IS42G32256
MT48LC2M32B2	IS42S32200
MT4C16270	IS41C16256
MT4C16257	IS41C16257
MT41LC512K32	IS42G32256

MITSUBISHI	ISSI
M5M44265C	IS41C16256
M5M44260C	IS41C16257
M5M4V260C	IS42S16128
M5M418165C	IS41C16100
M5M418160C	IS41C16105
M5M4V18165C	IS41LV16100
M5M4V18160C	IS41LV16105
M5M417405C	IS41C44002
M5M416405C	IS41C44004
M5M417400C	IS41C44052
M5M416400C	IS41C44054
M5M4V17405C	IS41LV44002
M5M4V16405C	IS41LV44004
M5M4V17400C	IS41LV44052

MITSUBISHI	ISSI
M5M4V16400C	IS41LV44054
M5M4V16S40	IS42S16100
M5M44265	IS41C16256
M5M4V4265	IS41LV16256
M5M4V4S40	IS42S16128

MOSEL VITELIC	ISSI
V53C16128H	IS41C16128
V53C16258H	IS41C16256
V53C16256H	IS41C16257
V53C16258L	IS41LV16256
V53C16256L	IS41LV16257
V53C832L	IS41LV32256

V53C518165A	IS41C16100
V53C518160A	IS41C16105
V53C318165A	IS41LV16100
V53C318160A	IS41LV16105
V53C517405A	IS41C44002
V53C516405A	IS41C44004
V53C517400A	IS41C44052
V53C516400A	IS41C44054
V53C317405A	IS41LV44002
V53C516405A	IS41LV44004
V53C317400A	IS41LV44052
V53C516400A	IS41LV44054
V54C316162VA	IS42S16100

V53C16258H	IS41C16256
V53C16258H	IS41C16256
V53C16258L	IS41LV16256
V53C16256H	IS41C16257
V53C832L	IS41LV32256

MOSYS	ISSI
MG802C512	IS42G32256

NEC	ISSI
uPD424210	IS41C16256
uPD4218165	IS41C16100
uPD4218160	IS41C16105
uPD4218165L	IS41LV16100
uPD4218160L	IS41LV16105
uPD4217405	IS41C44002
uPD4216405	IS41C44004
uPD4217400	IS41C44052
uPD4216400	IS41C44054
uPD4217405L	IS41LV44002
uPD4216405L	IS41LV44004
uPD4217400L	IS41LV44052
uPD4216400L	IS41LV44054
uPD4516161G5	IS42S16100
uPD4811650E	IS42G32256
uPD4564323G5	IS42S32200
uPD424210	IS41C16256
uPD424260	IS41C16257

DRAM

NEC	ISSI
uPD4504161	IS42S16128
uPD4811650	IS42G32256

PNPX	ISSI
NN514265A	IS41C16256
NN514260A	IS41C16257
NN51V4265A	IS41LV16256
NN51V4260A	IS41LV16257
NN5118165A/B	IS41C16100
NN5118160A/B	IS41C16105
NN51V18165B	IS41LV16100
NN51V18160B	IS41LV16105
NN5117405B	IS41C44002
NN5116405B	IS41C44004
NN5117400B	IS41C44052
NN5116400B	IS41C44054
NN51V17405B	IS41LV44002
NN51V17400B	IS41LV44052
NN5216165/A	IS42S16100

OKI	ISSI
MSM5416258A	IS41C16256
MSM5416260A	IS41C16257
MSM54V16258A	IS41LV16256
MSM54V16260A	IS41LV16257
MSM5118165B	IS41C16100
MSM5118160B	IS41C16105
MSM51V18165D	IS41LV16100
MSM51V16160B	IS41LV16105
MSM5117405C	IS41C44002
MSM5116405C	IS41C44004
MSM5117400C	IS41C44052
MSM5116400C	IS41C44054
MSM51V17405D	IS41LV44002
MSM51V16405D	IS41LV44004
MSM51V17400B	IS41LV44052
MSM51V16400B	IS41LV44054
MSM56V16160	IS42S16100
MSM54V25632	IS42G32256
MSM5416258	IS41C16256
MSM5416258	IS41C16256
MSM514260	IS41C16257
MSM54V32256	IS41LV32256
MSM54V25632	IS42G32256

PANASONIC	ISSI
MN4118165A	IS41C16100
MN4118160A	IS41C16105
MN41V18165A	IS41LV16100
MN41V18160A	IS41LV16105
MN4117405A	IS41C44002
MN4116405A	IS41C44004
MN4117400A	IS41C44052
MN4116400A	IS41C44054
MN4V117405A	IS41LV44002

PANASONIC	ISSI
MN4V116405A	IS41LV44004
MN4V117400A	IS41LV44052
MN4V116400A	IS41LV44054

SAMSUNG	ISSI
KM416C254D	IS41C16256
KM416C256D	IS41C16257
KM416V254D	IS41LV16256
KM416V254D	IS41LV16257
KM416C1204C	IS41C16100
KM416C1200C	IS41C16105
KM416V1204C	IS41LV16100
KM416V1200C	IS41LV16105
KM44C4104C	IS41C44002
KM44C4004C	IS41C44004
KM44C4100C	IS41C44052
KM44C4400C	IS41C44054
KM44V4104C	IS41LV44002
KM44V4004C	IS41LV44004
KM44V4100C	IS41LV44052
KM44V4400C	IS41LV44054
KM416S1120D	IS42S16100
KM4132G512	IS42G32256
KM432S2030C	IS42S32200
KM416C254D	IS41C16256
KM416V254D	IS41LV16256
KM416C256	IS41C16257
KM4132G512	IS42G32256

SIEMENS	ISSI
HYB514175B	IS41C16256
HYB514171B	IS41C16257
HYB314175B	IS41LV16256
HYB314171B	IS41LV16257
HYB5118165B	IS41C16100
HYB5118160B	IS41C16105
HYB3118165B	IS41LV16100
HYB3118160B	IS41LV16105
HYB5117405B	IS41C44002
HYB5116405B	IS41C44004
HYB5117400B	IS41C44052
HYB5116400B	IS41C44054
HYB3117405B	IS41LV44002
HYB3116405B	IS41LV44004
HYB3117400B	IS41LV44052
HYB3116400B	IS41LV44054
HYB39S16160C	IS42S16100
HYB39S16320	IS42G32256

SILICON MAGIC	ISSI
SM81C256K16C	IS41C16256
SM81L256K32	IS41LV32256
SM84L512K32	IS42G32256
SM81C256K16	IS41C16256

SILICON MAGIC	ISSI
SM81C256K16	IS41C16256
SM81L256K16	IS41LV16256
SM81C256K32	IS41LV32256
SM84L512K32	IS42G32256

TOSHIBA	ISSI
TC514265	IS41C16256
TC514V265	IS41LV16256
TC514260	IS41C16257
TC59G1631	IS42G32256
TC514265D	IS41C16256
TC514260D	IS41C16257
TC51V4265D	IS41LV16256
TC51V4260D	IS41LV16257
TC5118164C	IS41C16100
TC5118160C	IS41C16105
TC51V18164C	IS41LV16100
TC51V18160C	IS41LV16105
TC5117405C	IS41C44002
TC5116405C	IS41C44004
TC5117400C	IS41C44052
TC5116400C	IS41C44054
TC51V17405C	IS41LV44002
TC51V16405C	IS41LV44004
TC51V17400C	IS41LV44052
TC51V16400C	IS41LV44054
TC59S1616A	IS42S16100
TC59G1631	IS42G32256
TC59S6432	IS42S32200

VANGUARD	ISSI
VG2618165C	IS41C16100
VG2618160C	IS41C16105
VG26V18165C	IS41LV16100
VG26V18160C	IS41LV16105
VG2617405E	IS41C44002
VG2617400D	IS41C44052
VG26V17405E	IS41LV44002
VG26V17400D	IS41LV44052
VG3617161A	IS42S16100

EEPROM

ATMEL	ISSI
AT24C01A-10PC	IS24C01-P
AT24C01A-10SC	IS24C01-G
AT24C01A-10PI	IS24C01-PI
AT24C01A-10SI	IS24C01-GI
AT24C01A-10PC-2.7	IS24C01-3P
AT24C01A-10SC-2.7	IS24C01-3G
AT24C01A-10PI-2.7	IS24C01-3PI
AT24C01A-10SI-2.7	IS24C01-3GI
AT24C02-10PC	IS24C02-P
AT24C02N-10SC	IS24C02-G
AT24C02-10PI	IS24C02-PI
AT24C02N-10SI	IS24C02-GI
AT24C02-10PC-2.7	IS24C02-3P
AT24C02N-10SC-2.7	IS24C02-3G
AT24C02-10PI-2.7	IS24C02-3PI
AT24C02N-10SI-2.7	IS24C02-3GI
AT24C02A-10PC	IS24C02-P(1)
AT24C02AN-10SC	IS24C02-G(1)
AT24C02A-10PI	IS24C02-PI(1)
AT24C02AN-10SI	IS24C02-GI(1)
AT24C02A-10PC-2.7	IS24C02-3P(1)
AT24C02AN-10SC-2.7	IS24C02-3G(1)
AT24C02A-10PI-2.7	IS24C02-3PI(1)
AT24C02AN-10SI-2.7	IS24C02-3GI(1)
AT24C04-10PC	IS24C04-P(1)
AT24C04N-10SC	IS24C04-G(1)
AT24C04-10PI	IS24C04-PI(1)
AT24C04N-10SI	IS24C04-GI(1)
AT24C04-10PC-2.7	IS24C04-3P(1)
AT24C04N-10SC-2.7	IS24C04-3G(1)
AT24C04-10PI-2.7	IS24C04-3PI(1)
AT24C04N-10SI-2.7	IS24C04-3GI(1)
AT24C04A-10PC	IS24C04-P
AT24C04AN-10SC	IS24C04-G
AT24C04A-10PI	IS24C04-PI
AT24C04AN-10SI	IS24C04-GI
AT24C04A-10PC-2.7	IS24C04-3P
AT24C04AN-10SC-2.7	IS24C04-3G
AT24C04A-10PI-2.7	IS24C04-3PI
AT24C04AN-10SI-2.7	IS24C04-3GI
AT24C16-10PC	IS24C16-P
AT24C16N-10SC	IS24C16-G
AT24C16-10PI	IS24C16-PI
AT24C16N-10SI	IS24C16-GI
AT24C16-10PC-2.7	IS24C16-3P
AT24C16N-10SC-2.7	IS24C16-3G
AT24C16-10PI-2.7	IS24C16-3PI
AT24C16N-10SI-2.7	IS24C16-3GI
AT24C64-10PC	IS24C64-P
AT24C64N-10SC	IS24C64-G
AT24C64-10PI	IS24C64-PI
AT24C64N-10SI	IS24C64-GI
AT93C46-10PC	IS93C46-3P(2)
AT93C46-10SC	IS93C46-3GR(2)

ATMEL	ISSI
AT93C46R-10SC	IS93C46-3G(2)
AT93C46-10PC-2.7	IS93C46-3P(2)
AT93C46-10SC-2.7	IS93C46-3GR(2)
AT93C46R-10SC-2.7	IS93C46-3G(2)
AT93C46-10PI	IS93C46-3PI(2)
AT93C46-10SI	IS93C46-3GR(2)
AT93C46R-10SI	IS93C46-3GI(2)
AT93C46-10PI-2.7	IS93C46-3PI(2)
AT93C46-10SI-2.7	IS93C46-3GR(2)
AT93C46R-10SI-2.7	IS93C46-3GI(2)
AT93C46A-10PC	IS93C46-3P
AT93C46A-10SC	IS93C46-3GR
AT93C46A-10PC-2.7	IS93C46-3P
AT93C46A-10SC-2.7	IS93C46-3GR
AT93C46A-10PI	IS93C46-3PI
AT93C46A-10SI	IS93C46-3GR(1)
AT93C46A-10PI-2.7	IS93C46-3PI
AT93C46A-10SI-2.7	IS93C46-3GR(1)
AT93C56-10PC	IS93C56-3P(2)
AT93C56-10SC	IS93C56-3GR(2)
AT93C56-10PC-2.7	IS93C56-3P(2)
AT93C56-10SC-2.7	IS93C56-3GR(2)
AT93C56-10PI	IS93C56-3PI(2)
AT93C56-10SI	IS93C56-3GR(2)
AT93C56-10PI-2.7	IS93C56-3PI(2)
AT93C56-10SI-2.7	IS93C56-3GR(2)
AT93C66-10PC	IS93C66-3P(2)
AT93C66-10SC	IS93C66-3GR(2)
AT93C66-10PC-2.7	IS93C66-3P(2)
AT93C66-10SC-2.7	IS93C66-3GR(2)
AT93C66-10PI	IS93C66-3PI(2)
AT93C66-10SI	IS93C66-3GR(2)
AT93C66-10PI-2.7	IS93C66-3PI(2)
AT93C66-10SI-2.7	IS93C66-3GR(2)
CATALYST	ISSI
CAT24WC03P	IS24C02-3P(1,3)
CAT24WC03J	IS24C02-3G(1,3)
CAT24WC03PI	IS24C02-3PI(1,3)
CAT24WC03JI	IS24C02-3GI(1,3)
CAT24WC01P	IS24C01-3P(3)
CAT24WC01J	IS24C01-3G(3)
CAT24WC01PI	IS24C01-3PI(3)
CAT24WC01JI	IS24C01-3GI(3)
CAT24WC02P	IS24C02-3P(3)
CAT24WC02J	IS24C02-3G(3)
CAT24WC02PI	IS24C02-3PI(3)
CAT24WC02JI	IS24C02-3GI(3)
CATALYST	ISSI
CAT24WC04P	IS24C04-3P(3)
CAT24WC04J	IS24C04-3G(3)
CAT24WC04PI	IS24C04-3PI(3)
CAT24WC04JI	IS24C04-3GI(3)

CATALYST	ISSI
CAT24WC16P	IS24C16-3P(1,3)
CAT24WC16J	IS24C16-3G(1,3)
CAT24WC16PI	IS24C16-3PI(1,3)
CAT24WC16JI	IS24C16-3GI(1,3)
CAT24WC64P	IS24C64-P(4)
CAT24WC64J	IS24C64-G(4)
CAT24WC64PI	IS24C64-PI(4)
CAT24WC64JI	IS24C64-GI(4)
CAT93C46P	IS93C46-3P(2,3)
CAT93C46S	IS93C46-3GR(2,3)
CAT93C46J	IS93C46-3G(2,3)
CAT93C46PI	IS93C46-3PI(2,3)
CAT93C46SI	IS93C46-3GR(2,3)
CAT93C46JI	IS93C46-3GI(2,3)
CAT93C56P	IS93C56-3P(2,3)
CAT93C56S	IS93C56-3GR(2,3)
CAT93C56J	IS93C56-3G(2,3)
CAT93C56PI	IS93C56-3PI(2,3)
CAT93C56SI	IS93C56-3GR(2,3)
CAT93C56JI	IS93C56-3GI(2,3)
CAT93C66P	IS93C66-3P(2,3)
CAT93C66S	IS93C66-3GR(2,3)
CAT93C66J	IS93C66-3G(2,3)
CAT93C66PI	IS93C66-3PI(2,3)
CAT93C66SI	IS93C66-3GR(2,3)
CAT93C66JI	IS93C66-3GI(2,3)
EXEL	ISSI
XL24C01AP	IS24C01-3P
XL24C01AF	IS24C01-3G
XL24C02P	IS24C02-3P
XL24C02F	IS24C02-3G
XL24C04P	IS24C04-3P
XL24C04F	IS24C04-3G
XL24C16P	IS24C16-3P
XL24C16F	IS24C16-3G
XL93LC46P	IS93C46-3PI
XL93LC46RF	IS93C46-3GR(1)
XL93LC46F	IS93C46-3GI
XL93LC46AP	IS93C46-3PI
XL93LC46ARF	IS93C46-3GR(1)
XL93LC46AF	IS93C46-3GI
XL93LC46RY	IS93C46-3GR(1)
XL93LC46Y	IS93C46-3GI
XL93LC46ARY	IS93C46-3GR(1)
XL93LC46AY	IS93C46-3GI
XL93LC56P	IS93C56-3PI
XL93LC56RF	IS93C56-3GR(1)
XL93LC56F	IS93C56-3GI
XL93LC56AP	IS93C56-3PI
XL93LC56ARF	IS93C56-3GR(1)
XL93LC56AF	IS93C56-3GI
XL93LC56RY	IS93C56-3GR(1)

EEPROM

EXEL	ISSI
XL93LC56Y	IS93C56-3GI
XL93LC56ARY	IS93C56-3GRI
XL93LC56AY	IS93C56-3GI
XL93LC66P	IS93C66-3PI
XL93LC66RF	IS93C66-3GRI
XL93LC66F	IS93C66-3GI
XL93LC66AP	IS93C66-3PI
XL93LC66ARF	IS93C66-3GRI
XL93LC66AF	IS93C66-3GI
XL93LC66RY	IS93C66-3GRI
XL93LC66Y	IS93C66-3GI
XL93LC66ARY	IS93C66-3GRI
XL93LC66AY	IS93C66-3GI

MICROCHIP	ISSI
24C01A/P	IS24C01-P
24C01AI/P	IS24C01-PI
24C01A/SN	IS24C01-G
24C01AI/SN	IS24C01-GI
24C01C/P	IS24C01-P
24C01CI/P	IS24C01-PI
24C01C/SN	IS24C01-G
24C01CI/SN	IS24C01-GI
24LC01B/P	IS24C01-3P(3)
24LC01BI/P	IS24C01-3PI(3)
24LC01B/SN	IS24C01-3G(3)
24LC01BI/SN	IS24C01-3GI(3)
24C02A/P	IS24C02-P(1)
24C02AI/P	IS24C02-PI(1)
24C02A/SN	IS24C02-G(1)
24C02AI/SN	IS24C02-GI(1)
24LC02B/P	IS24C02-3P(3)
24LC02BI/P	IS24C02-3PI(3)
24LC02B/SN	IS24C02-3G(3)
24LC02BI/SN	IS24C02-3GI(3)
24LC024B/P	IS24C02-3P(3)
24LC024BI/P	IS24C02-3PI(3)
24LC024B/SN	IS24C02-3G(3)
24LC024BI/SN	IS24C02-3GI(3)
24LC025B/P	IS24C02-3P(3)
24LC025BI/P	IS24C02-3PI(3)
24LC025B/SN	IS24C02-3G(3)
24LC025BI/SN	IS24C02-3GI(3)
24C02C/P	IS24C02-P
24C02CI/P	IS24C02-PI
24C02C/SN	IS24C02-G
24C02CI/SN	IS24C02-GI
24C04A/P	IS24C04-P(1)
24C04AI/P	IS24C04-PI(1)
24C04A/SN	IS24C04-G(1)
24C04AI/SN	IS24C04-GI(1)
24LC04B/P	IS24C04-3P(3)
24LC04BI/P	IS24C04-3PI(3)
24LC04B/SN	IS24C04-3G(3)

MICROCHIP	ISSI
24LC04BI/SN	IS24C04-3GI(3)
24LC16B/P	IS24C16-3P(1,3)
24LC16BI/P	IS24C16-3PI(1,3)
24LC16B/SN	IS24C16-3G(1,3)
24LC16BI/SN	IS24C16-3GI(1,3)
24LC64I/P	IS24C64-PI(1,4)
24LC64I/SN	IS24C64-GI(1,4)
93C46B/P	IS93C46-3P
93C46B/SN	IS93C46-3GR
93C46BI/P	IS93C46-3PI
93C46BI/SN	IS93C46-3GR
93C46BX/SN	IS93C46-3G
93C46BXI/SN	IS93C46-3GI
93LC46/P	IS93C46-3P(2,3)
93LC46I/P	IS93C46-3PI(2,3)
93LC46/SN	IS93C46-3GR(2,3)
93LC46I/SN	IS93C46-3GRI(2,3)
93LC46X/SN	IS93C46-3G(2,3)
93LC46IX/SN	IS93C46-3GI(2,3)
93LC46B/P	IS93C46-3P(3)
93LC46BI/P	IS93C46-3PI(3)
93LC46B/SN	IS93C46-3GR(3)
93LC46BI/SN	IS93C46-3GRI(3)
93LC46BX/SN	IS93C46-3G(3)
93LC46BXI/SN	IS93C46-3GI(3)
93LC56B/P	IS93C56-3P(3)
93LC56BI/P	IS93C56-3PI(3)
93LC56B/SN	IS93C56-3GR(3)
93LC56BI/SN	IS93C56-3GRI(3)
93LC56BX/SN	IS93C56-3G(3)
93LC56BXI/SN	IS93C56-3GI(3)
93LC56P	IS93C56-3P(2,3)
93LC56I/P	IS93C56-3PI(2,3)
93LC56/SN	IS93C56-3GR(2,3)
93LC56I/SN	IS93C56-3GRI(2,3)
93LC56X/SN	IS93C56-3G(2,3)
93LC56IX/SN	IS93C56-3GI(2,3)
93LC66B/P	IS93C66-3P(3)
93LC66BI/P	IS93C66-3PI(3)
93LC66B/SN	IS93C66-3GR(3)
93LC66BI/SN	IS93C66-3GRI(3)
93LC66BX/SN	IS93C66-3G(3)

FAIRCHILD	ISSI
93LC66BXI/SN	IS93C66-3GI(3)
93LC66P	IS93C66-3P(2,3)
93LC66I/P	IS93C66-3PI(2,3)
93LC66/SN	IS93C66-3GR(2,3)
93LC66I/SN	IS93C66-3GRI(2,3)
93LC66X/SN	IS93C66-3G(2,3)
93LC66IX/SN	IS93C66-3GI(2,3)
NM24C02N	IS24C02-P
NM24C02M8	IS24C02-G
NM24C02EN	IS24C02-PI

FAIRCHILD	ISSI
NM24C02EM8	IS24C02-GI
NM24C02LN	IS24C02-3P
NM24C02LM8	IS24C02-3G
NM24C02LEN	IS24C02-3PI
NM24C02LEM8	IS24C02-3GI
NM24C02FN	IS24C02-P
NM24C02FM8	IS24C02-G
NM24C02FEN	IS24C02-PI
NM24C02FEM8	IS24C02-GI
NM24C03N	IS24C02-P(1)
NM24C03M8	IS24C02-G(1)
NM24C03EN	IS24C02-PI(1)
NM24C03EM8	IS24C02-GI(1)
NM24C03LN	IS24C02-3P(1)
NM24C03LM8	IS24C02-3G(1)
NM24C03LEN	IS24C02-3PI(1)
NM24C03LEM8	IS24C02-3GI(1)
NM24C03FN	IS24C02-P(1)
NM24C03FM8	IS24C02-G(1)
NM24C03FEN	IS24C02-PI(1)
NM24C03FEM8	IS24C02-GI(1)
NM24C04N	IS24C04-P
NM24C04M8	IS24C04-G
NM24C04EN	IS24C04-PI
NM24C04EM8	IS24C04-GI
NM24C04LN	IS24C04-3P
NM24C04LM8	IS24C04-3G
NM24C04LEN	IS24C04-3PI
NM24C04LEM8	IS24C04-3GI
NM24C04FN	IS24C04-P
NM24C04FM8	IS24C04-G
NM24C04FEN	IS24C04-PI
NM24C04FEM8	IS24C04-GI
NM24C05N	IS24C04-P(1)
NM24C05M8	IS24C04-G(1)
NM24C05EN	IS24C04-PI(1)
NM24C05EM8	IS24C04-GI(1)
NM24C05LN	IS24C04-3P(1)
NM24C05LM8	IS24C04-3G(1)
NM24C05LEN	IS24C04-3PI(1)
NM24C05LEM8	IS24C04-3GI(1)
NM24C05FN	IS24C04-P(1)
NM24C05FM8	IS24C04-G(1)
NM24C05FEN	IS24C04-PI(1)
NM24C05FEM8	IS24C04-GI(1)
NM24C16N	IS24C16-P
NM24C16M8	IS24C16-G
NM24C16EN	IS24C16-PI
NM24C16EM8	IS24C16-GI
NM24C16LN	IS24C16-3P
NM24C16LM8	IS24C16-3G
NM24C16LEN	IS24C16-3PI
NM24C16LEM8	IS24C16-3GI
NM24C17N	IS24C16-P

EEPROM

FAIRCHILD	ISSI	SGS -THOMSON	ISSI	SGS -THOMSON	ISSI
NM24C17M8	IS24C16-G	ST24C01B1	IS24C01-P	M24C04WMN1	IS24C04-3G(3)
NM24C17EN	IS24C16-PI	ST24W01B1	IS24C01-P	M24C04WMN6	IS24C04-3GI(3)
NM24C17EM8	IS24C16-GI	ST24C01CB1	IS24C01-3P	M24C16BN1	IS24C16-P(1)
NM24C17LN	IS24C16-3P	ST24W01CB1	IS24C01-3P	M24C16BN6	IS24C16-PI(1)
NM24C17LM8	IS24C16-3G	ST24C01B6	IS24C01-PI	M24C16MN1	IS24C16-G(1)
NM24C17LEN	IS24C16-3PI	ST24W01B6	IS24C01-PI	M24C16MN6	IS24C16-GI(1)
NM24C17LEM8	IS24C16-3GI	ST24C01CB6	IS24C01-3PI	M24C16WBN1	IS24C16-3P(1,3)
NM24C65N	IS24C64-P(1)	ST24W01CB6	IS24C01-3PI	M24C16WBN6	IS24C16-3PI(1,3)
NM24C65M8	IS24C64-G(1)	ST24C01M1	IS24C01-G	M24C16WMN1	IS24C16-3G(1,3)
NM24C65EN	IS24C64-PI(1)	ST24W01M1	IS24C01-G	M24C16WMN6	IS24C16-3GI(1,3)
NM24C65EM8	IS24C64-GI(1)	ST24C01CM1	IS24C01-3G	M24C64BN1	IS24C64-P(1)
NM93C46N	IS93C46-3P	ST24W01CM1	IS24C01-3G	M24C64BN6	IS24C64-PI(1)
NM93C46M8	IS93C46-3G	ST24C01M6	IS24C01-GI	M24C64MN1	IS24C64-G(1)
NM93C46EN	IS93C46-3PI	ST24W01M6	IS24C01-GI	M24C64MN6	IS24C64-GI(1)
NM93C46EM8	IS93C46-3GI	ST24C01CM6	IS24C01-3GI	ST93C46AB1	IS93C46-3P(2)
NM93C46LN	IS93C46-3P	ST24W01CM6	IS24C01-3GI	ST93C46CB1	IS93C46-3P(2)
NM93C46LM8	IS93C46-3G	M24C01BN1	IS24C01-P	ST93C46AB6	IS93C46-3PI(2)
NM93C46LEN	IS93C46-3PI	M24C01BN6	IS24C01-PI	ST93C46CB6	IS93C46-3PI(2)
NM93C46LEM8	IS93C46-3GI	M24C01MN1	IS24C01-G	ST93C46AM1	IS93C46-3GR(2)
NM93C46AN	IS93C46-3P(2)	M24C01MN6	IS24C01-GI	ST93C46CM1	IS93C46-3GR(2)
NM93C46AM8	IS93C46-3G(2)	M24C01WBN1	IS24C01-3P(3)	ST93C46TM1	IS93C46-3G(2)
NM93C46AEN	IS93C46-3PI(2)	M24C01WBN6	IS24C01-3PI(3)	ST93C46AM6	IS93C46-3GRI(2)
NM93C46AEM8	IS93C46-3GI(2)	M24C01WMN1	IS24C01-3G(3)	ST93C46CM6	IS93C46-3GRI(2)
NM93C46ALN	IS93C46-3P(2)	M24C01WMN6	IS24C01-3GI(3)	ST93C46TM6	IS93C46-3GI(2)
NM93C46ALM8	IS93C46-3G(2)	ST24C02B1	IS24C02-P	ST93C47CB1	IS93C46-3P(2)
NM93C46ALEN	IS93C46-3PI(2)	ST24W02B1	IS24C02-P	ST93C47CB6	IS93C46-3PI(2)
NM93C46ALEM8	IS93C46-3GI(2)	ST24C02CB1	IS24C02-3P	ST93C47CM1	IS93C46-3GR(2)
NM93C56N	IS93C56-3P	ST24W02CB1	IS24C02-3P	ST93C47TM1	IS93C46-3G(2)
NM93C56M8	IS93C56-3G	ST24C02B6	IS24C02-PI	ST93C47CM6	IS93C46-3GRI(2)
NM93C56EN	IS93C56-3PI	ST24W02B6	IS24C02-PI	ST93C47TM6	IS93C46-3GI(2)
NM93C56EM8	IS93C56-3GI	ST24C02CB6	IS24C02-3PI	M93C46BN1	IS93C46-3P(2)
NM93C56LN	IS93C56-3P	ST24W02CB6	IS24C02-3PI	M93C46BN6	IS93C46-3PI(2)
NM93C56LM8	IS93C56-3G	ST24C02M1	IS24C02-G	M93C46MN1	IS93C46-3G(2)
NM93C56LEN	IS93C56-3PI	ST24W02M1	IS24C02-G	M93C46MN6	IS93C46-3GI(2)
NM93C56LEM8	IS93C56-3GI	ST24C02CM1	IS24C02-3G	M93C46WBN1	IS93C46-3P(2,3)
NM93C56AN	IS93C56-3P(2)	ST24W02CM1	IS24C02-3G	M93C46WBN6	IS93C46-3PI(2,3)
NM93C56AM8	IS93C56-3G(2)	ST24C02M6	IS24C02-GI	M93C46WMN1	IS93C46-3G(2,3)
NM93C56AEN	IS93C56-3PI(2)	ST24W02M6	IS24C02-GI	M93C46WMN6	IS93C46-3GI(2,3)
NM93C56AEM8	IS93C56-3GI(2)	ST24C02CM6	IS24C02-3GI	ST93C56B1	IS93C56-3P(2)
NM93C66N	IS93C66-3P	ST24W02CM6	IS24C02-3GI	ST93C56B6	IS93C56-3PI(2)
NM93C66M8	IS93C66-3G	M24C02BN1	IS24C02-P	ST93C56M1	IS93C56-3GR(2)
NM93C66EN	IS93C66-3PI	M24C02BN6	IS24C02-PI	ST93C56M6	IS93C56-3GRI(2)
NM93C66EM8	IS93C66-3GI	M24C02MN1	IS24C02-G	ST93C56CB1	IS93C56-3P(2)
NM93C66LN	IS93C66-3P	M24C02MN6	IS24C02-GI	ST93C56CB6	IS93C56-3PI(2)
NM93C66LM8	IS93C66-3G	M24C02WBN1	IS24C02-3P(3)	ST93C56CM1	IS93C56-3GR(2)
NM93C66LEN	IS93C66-3PI	M24C02WBN6	IS24C02-3PI(3)	ST93C56CM6	IS93C56-3GRI(2)
NM93C66LEM8	IS93C66-3GI	M24C02WMN1	IS24C02-3G(3)	ST93C57CB1	IS93C56-3P(2)
NM93C66AN	IS93C66-3P(2)	M24C02WMN6	IS24C02-3GI(3)	ST93C57CB6	IS93C56-3PI(2)
NM93C66AM8	IS93C66-3G(2)	M24C04BN1	IS24C04-P	ST93C57CM1	IS93C56-3GR(2)
NM93C66AEN	IS93C66-3PI(2)	M24C04BN6	IS24C04-PI	ST93C57CM6	IS93C56-3GRI(2)
NM93C66AEM8	IS93C66-3GI(2)	M24C04MN1	IS24C04-G	M93C56BN1	IS93C56-3P(2)
		M24C04MN6	IS24C04-GI	M93C56BN6	IS93C56-3PI(2)
		M24C04WBN1	IS24C04-3P(3)	M93C56MN1	IS93C56-3G(2)
		M24C04WBN6	IS24C04-3PI(3)	M93C56MN6	IS93C56-3GI(2)

EEPROM

SGS -THOMSON	ISSI
M93C56WBN1	IS93C56-3P(2,3)
M93C56WBN6	IS93C56-3PI(2,3)
M93C56WMN1	IS93C56-3G(2,3)
M93C56WMN6	IS93C56-3GI(2,3)
ST93C66B1	IS93C66-3P(2)
ST93C66B6	IS93C66-3PI(2)
ST93C66CM1	IS93C66-3GR(2)
ST93C66CM6	IS93C66-3GRI(2)
ST93C67B1	IS93C66-3P(2)
ST93C67B6	IS93C66-3PI(2)
ST93C67CM1	IS93C66-3GR(2)
ST93C67CM6	IS93C66-3GRI(2)
M93C66BN1	IS93C66-3P(2)
M93C66BN6	IS93C66-3PI(2)
M93C66MN1	IS93C66-3G(2)
M93C66MN6	IS93C66-3GI(2)
M93C66WBN1	IS93C66-3P(2,3)
M93C66WBN6	IS93C66-3PI(2,3)
M93C66WMN1	IS93C66-3G(2,3)
M93C66WMN6	IS93C66-3GI(2)

XICOR	ISSI
X24C01AP	IS24C01-P
X24C01API	IS24C01-PI
X24C01AP-3.5	IS24C01-3P
X24C01API-3.5	IS24C01-3PI
X24C01AP-3	IS24C01-3P
X24C01API-3	IS24C01-3PI
X24C01AS8	IS24C01-G
X24C01AS8I	IS24C01-GI
X24C01AS8-3.5	IS24C01-3G
X24C01AS8I-3.5	IS24C01-3GI
X24C01AS8-3	IS24C01-3G
X24C01AS8I-3	IS24C01-3GI
X24C02P	IS24C02-P
X24C02PI	IS24C02-PI
X24C02P-3.5	IS24C02-3P
X24C02PI-3.5	IS24C02-3PI
X24C02P-3	IS24C02-3P
X24C02PI-3	IS24C02-3PI
X24C02P-2.7	IS24C02-3P
X24C02PI-2.7	IS24C02-3PI
X24C02S8	IS24C02-G
X24C02S8I	IS24C02-GI
X24C02S8-3.5	IS24C02-3G
X24C02S8I-3.5	IS24C02-3GI
X24C02S8-3	IS24C02-3G
X24C02S8I-3	IS24C02-3GI
X24C02S8-2.7	IS24C02-3G
X24C02S8I-2.7	IS24C02-3GI
X24C04P	IS24C04-P
X24C04PI	IS24C04-PI
X24C04P-3.5	IS24C04-3P
X24C04PI-3.5	IS24C04-3PI

XICOR	ISSI
X24C04P-3	IS24C04-3P
X24C04PI-3	IS24C04-3PI
X24C04P-2.7	IS24C04-3P
X24C04PI-2.7	IS24C04-3PI
X24C04S8	IS24C04-G
X24C04S8I	IS24C04-GI
X24C04S8-3.5	IS24C04-3G
X24C04S8I-3.5	IS24C04-3GI
X24C04S8-3	IS24C04-3G
X24C04S8I-3	IS24C04-3GI
X24C04S8-2.7	IS24C04-3G
X24C04S8I-2.7	IS24C04-3GI
X24C16P	IS24C16-P
X24C16PI	IS24C16-PI
X24C16P-3.5	IS24C16-3P
X24C16PI-3.5	IS24C16-3PI
X24C16P-3	IS24C16-3P
X24C16PI-3	IS24C16-3PI
X24C16P-2.7	IS24C16-3P
X24C16PI-2.7	IS24C16-3PI
X24C16S8	IS24C16-G
X24C16S8I	IS24C16-GI
X24C16S8-3.5	IS24C16-3G
X24C16S8I-3.5	IS24C16-3GI
X24C16S8-3	IS24C16-3G
X24C16S8I-3	IS24C16-3GI
X24C16S8-2.7	IS24C16-3G
X24C16S8I-2.7	IS24C16-3GI

Notes:

1. Array protection using WC control is different.
2. Part features only X16 configuration when compared X8/X16 feature from competition
3. Part operates in the 2.7-6.0V voltage range when compared to 2.5-6.0V from competition
4. Part operates in the 4.5-5.5V voltage range when compared to 2.5-6.0V from competition

EPROM

ATMEL	ISSI
AT27C010-12JC	IS27C010-12PL
AT27C010-12JI	IS27C010-12PLI
AT27C010-12TC	IS27C010-12T
AT27C010-12TI	IS27C010-12TI
AT27C010-15JC	IS27C010-15PL
AT27C010-15JI	IS27C010-15PLI
AT27C010-15TC	IS27C010-15T
AT27C010-15TI	IS27C010-15TI
AT27C010-90JC	IS27C010-90PL
AT27C010-90JI	IS27C010-90PLI
AT27C010-90TC	IS27C010-90T
AT27C010-90TI	IS27C010-90TI
AT27C010L-12JC	IS27C010L-12PL
AT27C010L-12JI	IS27C010L-12PLI
AT27C010L-12TC	IS27C010L-12T
AT27C010L-12TI	IS27C010L-12TI
AT27C010L-15JC	IS27C010L-15PL
AT27C010L-15JI	IS27C010L-15PLI
AT27C010L-15TC	IS27C010L-15T
AT27C010L-15TI	IS27C010L-15TI
AT27C010L-90JC	IS27C010L-90PL
AT27C010L-90JI	IS27C010L-90PLI
AT27C010L-90TC	IS27C010L-90T
AT27C010L-90TI	IS27C010L-90TI
AT27C010L-45JC	IS27HC010-45PL
AT27C010L-45JI	IS27HC010-45PLI
AT27C010L-45TC	IS27HC010-45T
AT27C010L-45TI	IS27HC010-45TI
AT27C010-55JC	IS27HC010-45PL
AT27C010-55JI	IS27HC010-45PLI
AT27C010-55TC	IS27HC010-45T
AT27C010-55TI	IS27HC010-45TI
AT27C010-70JC	IS27HC010-70PL
AT27C010-70JI	IS27HC010-70PLI
AT27C010-70TC	IS27HC010-70T
AT27C010-70TI	IS27HC010-70TI
AT27C010L-45JC	IS27HC010-45PL
AT27C010L-45JI	IS27HC010-45PLI
AT27C010L-45TC	IS27HC010-45T
AT27C010L-45TI	IS27HC010-45TI
AT27C010L-55JC	IS27HC010-45PL
AT27C010L-55JI	IS27HC010-45PLI
AT27C010L-55TC	IS27HC010-45T
AT27C010L-55TI	IS27HC010-45TI
AT27C010L-70JC	IS27HC010-70PL
AT27C010L-70JI	IS27HC010-70PLI
AT27C010L-70TC	IS27HC010-70T
AT27C010L-70TI	IS27HC010-70TI
AT27C256R-12JC	IS27C256-12PL
AT27C256R-12JI	IS27C256-12PLI
AT27C256R-12PC	IS27C256-12W
AT27C256R-15JC	IS27C256-15PL
AT27C256R-15JI	IS27C256-15PLI
AT27C256R-15PC	IS27C256-15W

ATMEL	ISSI
AT27C256R-20JC	IS27C256-15PL
AT27C256R-20JI	IS27C256-15PLI
AT27C256R-20PC	IS27C256-15W
AT27C256R-90JC	IS27C256-90PL
AT27C256R-90JI	IS27C256-90PLI
AT27C256R-90PC	IS27C256-90W
AT27C256R-45JC	IS27HC256-45PL
AT27C256R-45JI	IS27HC256-45PLI
AT27C256R-45PC	IS27HC256-45W
AT27C256R-55JC	IS27HC256-55PL
AT27C256R-55JI	IS27HC256-55PLI
AT27C256R-55PC	IS27HC256-55W
AT27C256R-70JC	IS27HC256-70PL
AT27C256R-70JI	IS27HC256-70PLI
AT27C256R-70PC	IS27HC256-70W
AT27C512R-12JC	IS27C512-12PL
AT27C512R-12JI	IS27C512-12PLI
AT27C512R-12PC	IS27C512-12W
AT27C512R-15JC	IS27C512-15PL
AT27C512R-15JI	IS27C512-15PLI
AT27C512R-15PC	IS27C512-15W
AT27C512R-20JC	IS27C512-15PL
AT27C512R-20JI	IS27C512-20PLI
AT27C512R-20PC	IS27C512-15W
AT27C512R-90JC	IS27C512-90PL
AT27C512R-90JI	IS27C512-90PLI
AT27C512R-90PC	IS27C512-90W
AT27C512R-45JC	IS27HC512-45PL
AT27C512R-45JI	IS27HC512-45PLI
AT27C512R-45PC	IS27HC512-45W
AT27C512R-55JC	IS27HC512-55PL
AT27C512R-55JI	IS27HC512-45PLI
AT27C512R-55PC	IS27HC512-55W
AT27C512R-70JC	IS27HC512-70PL
AT27C512R-70JI	IS27HC512-70PLI
AT27C512R-70PC	IS27HC512-70W
AT27LV010A-12JC	IS27LV010-120PL
AT27LV010A-12JI	IS27LV010-120PLI
AT27LV010A-12TC	IS27LV010-120T
AT27LV010A-12TI	IS27LV010-120TI
AT27LV010A-15JC	IS27LV010-15PL
AT27LV010A-15JI	IS27LV010-15PLI
AT27LV010A-15TC	IS27LV010-15T
AT27LV010A-15TI	IS27LV010-15TI
AT27LV010A-90JC	IS27LV010-90PL
AT27LV010A-90JI	IS27LV010-90PLI
AT27LV010A-90TC	IS27LV010-90T
AT27LV010A-90TI	IS27LV010-90TI

CYPRESS	ISSI
CY27010-120JC	IS27C010-12PL
CY27010-120PC	IS27C010-12W
CY27010-120ZC	IS27C010-12T
CY27010-150JC	IS27C010-12PL
CY27010-150PC	IS27C010-12W
CY27010-150ZC	IS27C010-12T
CY27010-90JC	IS27C010-90PL
CY27010-90PC	IS27C010-90W
CY27010-90ZC	IS27C010-90T
CY27010-70JC	IS27HC010-70PL
CY27010-70PC	IS27HC010-70W
CY27010-70ZC	IS27HC010-70T
CY27H010-30JC	IS27HC010-30PL
CY27H010-30PC	IS27HC010-30W
CY27H010-30ZC	IS27HC010-30T
CY27H010-35JC	IS27HC010-30PL
CY27H010-35PC	IS27HC010-30W
CY27H010-35ZC	IS27HC010-30T
CY27H010-45JC	IS27HC010-45PL
CY27H010-45PC	IS27HC010-45W
CY27H010-45ZC	IS27HC010-45T
CY27H010-55JC	IS27HC010-45PL
CY27H010-55PC	IS27HC010-45W
CY27H010-55ZC	IS27HC010-45T
CY27C256-120JC	IS27C256-12PL
CY27C256-120PC	IS27C256-12W
CY27C256-150JC	IS27C256-15PL
CY27C256-150PC	IS27C256-15W
CY27C256-200JC	IS27C256-15PL
CY27C256-200PC	IS27C256-15W
CY27C256-70JC	IS27HC256-70PL
CY27C256-70PC	IS27HC256-70W
CY27C256-70ZC	IS27HC256-70T
CY27C256-90JC	IS27HC256-90PL
CY27C256-90PC	IS27HC256-90W
CY27C256-90ZC	IS27HC256-90T
CY27H256-45JC	IS27HC256-45PL
CY27H256-45PC	IS27HC256-45W
CY27H256-55JC	IS27HC256-55PL
CY27H256-55PC	IS27HC256-55W
CY27C512-12JC	IS27C512-12PL
CY27C512-12PC	IS27C512-12W
CY27C512-15JC	IS27C512-15PL
CY27C512-15PC	IS27C512-15W
CY27C512-20JC	IS27C512-15PL
CY27C512-20PC	IS27C512-15W
CY27C512-70JC	IS27HC512-70PL
CY27C512-70PC	IS27HC512-70W
CY27H512-45JC	IS27HC512-45PL
CY27H512-45PC	IS27HC512-45W
CY27H512-45ZC	IS27HC512-45T
CY27H512-55JC	IS27HC512-55PL
CY27H512-55PC	IS27HC512-55W
CY27H512-55ZC	IS27HC512-55T

CYPRESS	ISSI
CY27H512-70JC	IS27HC512-70PL
CY27H512-70PC	IS27HC512-70W
CY27H512-70ZC	IS27HC512-70T
HITACHI	ISSI
HN27C101AP-12	IS27C010-12W
HN27C101AP-15	IS27C010-15W
HN27C101AP-20	IS27C010-15W
HN27C101AP-90	IS27C010-90W
HN27C256AP-10	IS27C256-90W
HN27C256AP-12	IS27C256-12W
HN27C256AP-15	IS27C256-15W
HN27C512P-25	IS27C512-15W
HN27C512P-30	IS27C512-15W
MACRONIX	ISSI
MX27C1000PC-12	IS27C010-12W
MX27C1000PC-90	IS27C010-90W
MX27C1000PC-15	IS27C010-15W
MX27C1000QC-12	IS27C010-12PL
MX27C1000QC-15	IS27C010-15PL
MX27C1000QC-90	IS27C010-90PL
MX27C1000QC-45	IS27HC010-45PL
MX27C1000QC-55	IS27HC010-45PL
MX27C1000PC-45	IS27HC010-45W
MX27C1000PC-55	IS27HC010-45W
MX27C1000PC-70	IS27HC010-70W
MX27C1000QC-70	IS27HC010-70PL
MX27C256PC-12	IS27C256-12W
MX27C256QC-12	IS27C256-12PL
MX27C256QC-15	IS27C256-15PL
MX27C256PC-15	IS27C256-15W
MX27C256QC-90	IS27C256-90PL
MX27C256PC-90	IS27C256-90W
MX27C256PC-55	IS27HC256-55W
MX27C256PC-70	IS27HC256-70W
MX27C256QC-55	IS27HC256-55PL
MX27C256QC-70	IS27HC256-70PL
MX27C512PC-12	IS27C512-12W
MX27C512PC-15	IS27C512-15W
MX27C512QC-12	IS27C512-12PL
MX27C512QC-15	IS27C512-15PL
MX27C512PC-90	IS27C512-90W
MX27C512QC-90	IS27C512-90PL
MX27C512PC-55	IS27HC512-55W
MX27C512PC-70	IS27HC512-70W
MX27C512QC-55	IS27HC512-55PL
MX27C512QC-70	IS27HC512-70PL

MICROCHIP	ISSI
27C256-12L	IS27C256-12PL
27C256-12P	IS27C256-12W
27C256-15L	IS27C256-15PL
27C256-20L	IS27C256-15PL
27C256-15P	IS27C256-15W
27C256-20P	IS27C256-15W
27C256-10L	IS27C256-90PL
27C256-90L	IS27C256-90PL
27C256-10P	IS27C256-90W
27C256-90P	IS27C256-90W
27C512-12L	IS27C512-12PL
27C512A-12L	IS27C512-12PL
27C512-12P	IS27C512-12W
27C512A-12P	IS27C512-12W
27C512-15L	IS27C512-15PL
27C512-20L	IS27C512-15PL
27C512A-15L	IS27C512-15PL
27C512-15P	IS27C512-15W
27C512-20P	IS27C512-15W
27C512A-15P	IS27C512-15W
27C512-10L	IS27C512-90PL
27C512-90L	IS27C512-90PL
27C512A-10L	IS27C512-90PL
27C512A-90L	IS27C512-90PL
27C512-10P	IS27C512-90W
27C512-90P	IS27C512-90W
27C512A-10P	IS27C512-90W
27C512A-90P	IS27C512-90W
27HC256-55L	IS27HC256-55PL
27HC256L-55L	IS27HC256-55PL
27HC256-55P	IS27HC256-55W
27HC256L-55P	IS27HC256-55W
27HC256-70L	IS27HC256-70PL
27HC256L-70L	IS27HC256-70PL
27HC256-70P	IS27HC256-70W
27HC256L-70P	IS27HC256-70W
27C512A-70L	IS27HC512-70PL
27C512A-70TS	IS27HC512-70T
27C512A-70P	IS27HC512-70W
MITSUBISHI	ISSI
M5M27C101J-15	IS27C010-15PL
M5M27C101P-15	IS27C010-15W
M5M27C256AP-12	IS27C256-12W
M5M27C256AP-15	IS27C256-15W
M5M27C512AP-15	IS27C512-15W
NATIONAL	ISSI
NM27C010N120	IS27C010-12W
NM27C010N150	IS27C010-15W
NM27C010N200	IS27C010-20W
NM27C010NI00	IS27C010-90W

NATIONAL	ISSI
NM27C010V120	IS27C010-12PL
NM27C010V150	IS27C010-15PL
NM27C010V200	IS27C010-20PL
NM27C010VI00	IS27C010-90PL
NM27C256N120	IS27C256-12W
NM27C256N150	IS27C256-15W
NM27C256N200	IS27C256-15W
NM27C256V120	IS27C256-12PL
NM27C256V150	IS27C256-15PL
NM27C256V200	IS27C256-15PL
NM27C512N120	IS27C512-12W
NM27C512N150	IS27C512-15W
NM27C512N200	IS27C512-15W
NM27C512V120	IS27C512-12PL
NM27C512V150	IS27C512-15PL
NM27C512V200	IS27C512-15PL
NM27LV010V200	IS27LV010-15PL
NM27LV010V250	IS27LV010-15PL
NM27LV010V300	IS27LV010-15PL
SGS THOMSON	ISSI
M27C1001-12C1	IS27C010-12PL
M27C1001-12C6	IS27C010-12PLI
M27C1001-15BI	IS27C010-15W
M27C1001-15C1	IS27C010-15PL
M27C1001-15C6	IS27C010-15PLI
M27C1001-20C1	IS27C010-15PL
M27C1001-20C1	IS27C010-15PL
M27C1001-90C1	IS27C010-90PL
M27C1001-90C6	IS27C010-90PLI
M27V101-200K1	IS27LV010-15W
M27C256B-12B1	IS27C256-12W
M27C256B-12C1	IS27C256-12PL
M27C256B-12C6	IS27C256-12PLI
M27C256B-15B1	IS27C256-15W
M27C256B-15C1	IS27C256-15PL
M27C256B-15C6	IS27C256-15PLI
M27C256B-20B1	IS27C256-15W
M27C256B-20C1	IS27C256-15PL
M27C256B-20C6	IS27C256-15PLI
M27C256B-90B1	IS27C256-90W
M27C256B-90C1	IS27C256-90PL
M27C257-15C1	IS27C256-15PL
M27C257-15C6	IS27C256-15PLI
M27C257-20C6	IS27C256-15PLI
M27C512-12B1	IS27C512-12W
M27C512-12C1	IS27C512-12PL
M27C512-12C6	IS27C512-12PLI
M27C512-15B1	IS27C512-15W
M27C512-15C1	IS27C512-15PL
M27C512-20B1	IS27C512-15W

SGS THOMSON	ISSI
M27C512-20C1	IS27C512-15PL
M27C512-20C6	IS27C512-20PLI
M27C512-90B1	IS27C512-90W
M27C512-90C1	IS27C512-90PL
TI	ISSI
TMS27PC010-120FML	IS27C010-12PL
TMS27PC010-12FML	IS27C010-12PL
TMS27PC010-150FML	IS27C010-15PL
TMS27PC010-15FML	IS27C010-15PL
TMS27PC010-200FML	IS27C010-15PL
TMS27PC010-20FML	IS27C010-15PL
TMS27PC010-100FML	IS27C010-90PL
TMS27C256-120FML	IS27C256-12PL
TMS27C256-12FML	IS27C256-12PL
TMS27C256-120NL	IS27C256-12W
TMS27C256-12NL	IS27C256-12W
TMS27C256-150FML	IS27C256-15PL
TMS27C256-15FML	IS27C256-15PL
TMS27C256-170FML	IS27C256-15PL
TMS27C256-17FML	IS27C256-15PL
TMS27C256-20FML	IS27C256-15PL
TMS27C256-25FML	IS27C256-15PL
TMS27C256-2FML	IS27C256-15PL
TMS27C256-FML	IS27C256-15PL
TMS27C256-150NL	IS27C256-15W
TMS27C256-15NL	IS27C256-15W
TMS27C256-170NL	IS27C256-15W
TMS27C256-17NL	IS27C256-15W
TMS27C256-20NL	IS27C256-15W
TMS27C256-25NL	IS27C256-15W
TMS27C256-2NL	IS27C256-15W
TMS27C256-NL	IS27C256-15W
TMS27C512-120FML	IS27C512-12PL
TMS27C512-12FML	IS27C512-12PL
TMS27C512-120NL	IS27C512-12W
TMS27C512-12NL	IS27C512-12W
TMS27C512-150FML	IS27C512-15PL
TMS27C512-15FML	IS27C512-15PL
TMS27C512-20FML	IS27C512-15PL
TMS27C512-25FML	IS27C512-15PL
TMS27C512-2FML	IS27C512-15PL
TMS27C512-150NL	IS27C512-15W
TMS27C512-15NL	IS27C512-15W
TMS27C512-20NL	IS27C512-15W
TMS27C512-25NL	IS27C512-15W
TMS27C512-2NL	IS27C512-15W
TMS27C512-NL	IS27C512-15W
TMS27C512-100FML	IS27C512-90PL
TMS27C512-10FML	IS27C512-90PL
TMS27C512-100NL	IS27C512-90W
TMS27C512-10NL	IS27C512-90W

MICROCONTROLLER

AMD	ISSI
N8031AH	IS80C31-PL
N8031BH	IS80C31-PL
P8031AH	IS80C31-W
P8031BH	IS80C31-W
N80C32T2	IS80C32-PL
N80C51BH	IS80C51-PL
P80C51BH	IS80C51-W
N80C52T2	IS80C52-PL

DALLAS	ISSI
DS80C310	IS80C31
DS80C320	IS80C32
DS5000FP-16	IS80C51
DS5000-08-16	IS80C52
DS5000T-08-16	IS80C52
DS2250-08-16	IS80C52
DS2250T-08-16	IS80C52

INTEL	ISSI
N80C31BH	IS80C31-PL
P80C31BH	IS80C31-W
N80C32	IS80C32-PL
P80C32	IS80C32-W
N80C51BH	IS80C51-PL
P80C51BH	IS80C51-W
N80C52	IS80C52-PL
P80C52	IS80C52-W

MATRA	ISSI
P80C31	IS80C31-W
S80C31	IS80C31-PL
P80C32	IS80C32-W
S80C32	IS80C32-PL
P80C51	IS80C51-W
S80C51	IS80C51-PL
P80C52	IS80C52-W
S80C52	IS80C52-PL

PHILIPS	ISSI
PCx80C31	IS80C31
SC80C31	IS80C31
P80C32	IS80C32
PCx80C51	IS80C51
SC80C51	IS80C51
P83C750	IS80C51
P80C52	IS80C52

SIEMENS	ISSI
SAB8031	IS80C31
SAB8032	IS80C32
SABC501-L	IS80C32
SAB8051	IS80C51
SAB8052	IS80C52
SABC501-1R	IS80C52

ZILOG	ISSI
Z86C08	IS80C51
Z86E08	IS80C51
Z86C09	IS80C51
Z86C19	IS80C51
Z86E09	IS80C51
Z86C17	IS80C51

**FLASH
MICROCONTROLLER**

AMD	ISSI
8751 ⁽¹⁾	IS89C51
87C51 ⁽¹⁾	IS89C51
87C52T2 ⁽¹⁾	IS89C52
8753 ⁽¹⁾	IS89C52

ATMEL	ISSI
AT89C51 ⁽¹⁾	IS89C51
AT89C52 ⁽¹⁾	IS89C52

DALLAS	ISSI
DS5000FP ⁽¹⁾	IS89C51
DS5001FP ⁽¹⁾	IS89C51
DS5000 ⁽¹⁾	IS89C52
DS5000T ⁽¹⁾	IS89C52
DS2250 ⁽¹⁾	IS89C52
DS2250T ⁽¹⁾	IS89C52

HITACHI	ISSI
HD6301VI	IS89C51
HD6301X0	IS89C51
HD6303R	IS89C51
HD6303X	IS89C51
HD6303Y	IS89C51
HD6305V0	IS89C51
HD6305X0	IS89C51
HD6305X1	IS89C51
HD6395X2	IS89C51
HD6305Y0	IS89C52
HD6305Y1	IS89C52
HD6305Y2	IS89C52

INTEL	ISSI
i80C31 ⁽¹⁾	IS89C51
i80C51 ⁽¹⁾	IS89C51
i87C51 ⁽¹⁾	IS89C51
i80C52 ⁽¹⁾	IS89C52
i87C52 ⁽¹⁾	IS89C52
i87C51FA ⁽¹⁾	IS89C52

MATRA	ISSI
80C31 ⁽¹⁾	IS89C51
80C51 ⁽¹⁾	IS89C51
80C32 ⁽¹⁾	IS89C52
80C52 ⁽¹⁾	IS89C52

MICROCHIP	ISSI
PIC16C73	IS89C51
PIC16C74	IS89C51
—	IS89C52

MOTOROLA	ISSI
—	IS89C51
HC11	IS89C52

PHILIPS	ISSI
PCx80C31 ⁽¹⁾	IS89C51
SC80C31 ⁽¹⁾	IS89C51
PCx80C51 ⁽¹⁾	IS89C51
SC80C51 ⁽¹⁾	IS89C51
SC87C51 ⁽¹⁾	IS89C51
P80C32 ⁽¹⁾	IS89C52
P80C52 ⁽¹⁾	IS89C52
P87C52 ⁽¹⁾	IS89C52
S8XC51FA ⁽¹⁾	IS89C52

SGS-THOMSON	ISSI
—	IS89C51
80C652	IS89C52
87C652	IS89C52
80C654	IS89C52

SIEMENS	ISSI
SAB8051 ⁽¹⁾	IS89C51
SAB8031 ⁽¹⁾	IS89C51
SAB8052 ⁽¹⁾	IS89C52
SAB8032Q ⁽¹⁾	IS89C52
SABC501-1R ⁽¹⁾	IS89C52
SABC501-L ⁽¹⁾	IS89C52

ZILOG	ISSI
Z84C01	IS89C51
Z84C50	IS89C51
Z08614	IS89C51
Z80C30	IS89C51
Z85C30	IS89C51
Z86C15	IS89C51
Z85230	IS89C51
Z850230	IS89C51
Z86C30	IS89C51
Z16C01	IS89C51

ZILOG	ISSI
Z16C02	IS89C51
Z86E30	IS89C51
ZZ16C03	IS89C51
Z8036	IS89C51
Z8536	IS89C51
Z8038	IS89C51
Z5380	IS89C51
Z53C80	IS89C51
Z86C40	IS89C51
Z86E40	IS89C51
Z0802	IS89C51
Z86C21	IS89C52
Z86E22	IS89C52
Z08614	IS89C52
Z86E21	IS89C52
Z086E23	IS89C52
Z86E22	IS89C52
Z86C43	IS89C52
Z86L29	IS89C52

Note:

1. Socket and software compatible.

CROSS REFERENCE GUIDE

ISSI[®]

Integrated Silicon Solution, Inc.

2231 Lawson Lane
Santa Clara, CA 95054

Tel: 1-800-379-4774

Tel: (408) 588-0800

Fax: (408) 588-0806

e-mail: sales@issi.com

<http://www.issi.com>