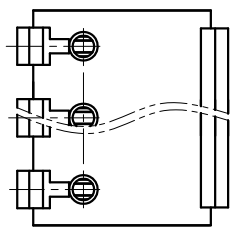
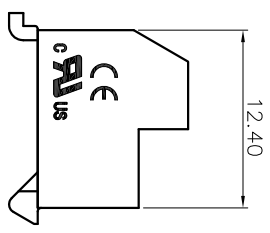
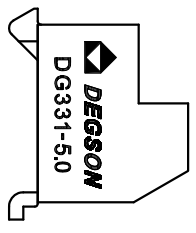
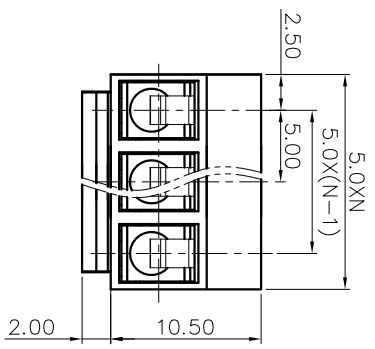
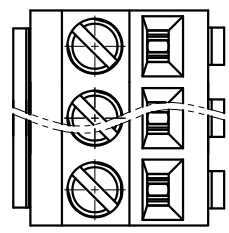


REVISION RECORD			
REV	ECN	DESCRIPTION	DRFT DATE



NOTES1:

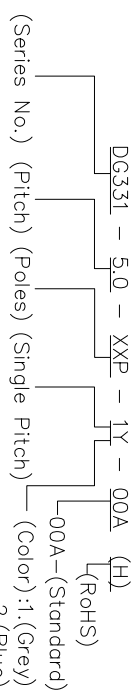
- UL Standard
- 1.Rated voltage/current : 300V / 10A
- 2.Torque value : M3 , 4.43lb.in
- 3.Wire range : 28~14AWG
- IEC Standard
- 1.Rated voltage/current : 250V / 12A
- 2.Torque value : M3 , 0.5N.m
- 3.Wire range : 2.5mm²

NOTES2:

- 1.Dimension shall be interpreted per ASME Y14.5-2009
- 2.Pitch : 5.0mm, Poles : N=2~20P
- 3.Stripping length : 5~6mm
- 4.Withstanding voltage : AC2000V/1Min
- 5.Operating temperature: -40°C~+105°C
- 6.Undimensioned tolerances:

Pitch range in mm	Nominal dimension range		mm	Inch	mm	Inch
	Over	Under				
6 TO 10	±0.15	±0.20	±0.30	±0.30	±0.50	±1.00
10 TO 24	±0.30	±0.30	±0.50	±0.70	±1.00	±1.30
30 TO 60	±0.50	±0.50	±1.00	±1.50	±2.00	±2.50
60 TO 100	±0.70	±0.70	±1.00	±1.50	±2.00	±2.50
100 TO 150	±1.00	±1.00	±1.50	±2.00	±2.50	±3.00

7.RoHS Compliance



- 1.(Grey)
- 2.(Blue)
- 3.(Black)
- 4.(Green)
- 5.(Orange)
- 6.(Red)
- 7.(Transparent)
- 8.(Yellow)
- 9.(White)

DETACHED LISTS			
PART NO.:	/	NAME:	NINGBO DEGSON ELECTRICAL CO., LTD
APPD.:	/	DRWTITLE:	CUSTOMER DRAWING
CHKD.:	/	DRAWING NO.:	/
DRFT.:	/	SCALE:	DO NOT SCALE DRAWING
THIRD ANGLE PROJECTION		SCALE	1:1