
BTA-TX-A CSR57E6 Bluetooth Stereo
Audio Transmitter Module



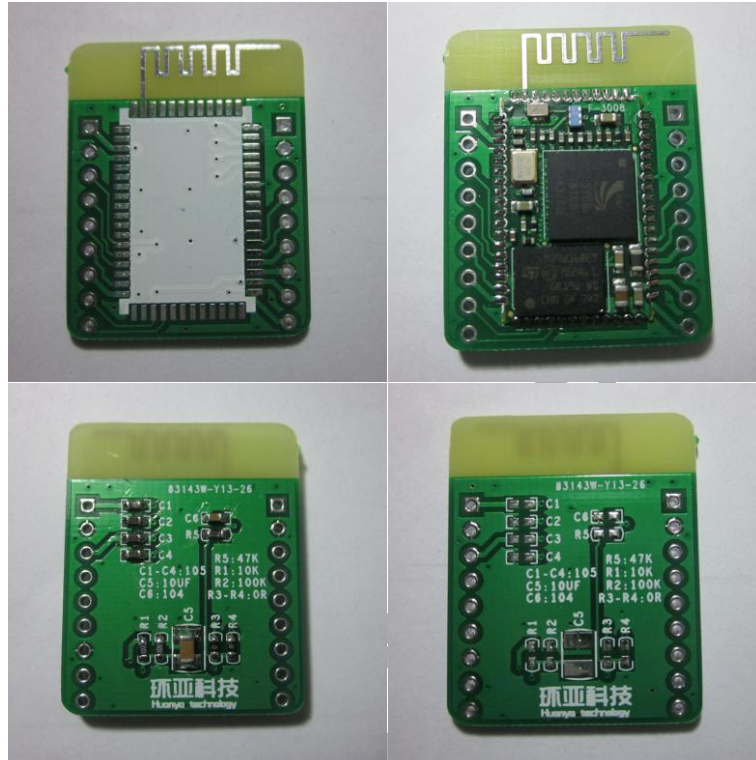
HYT

CSR57E6

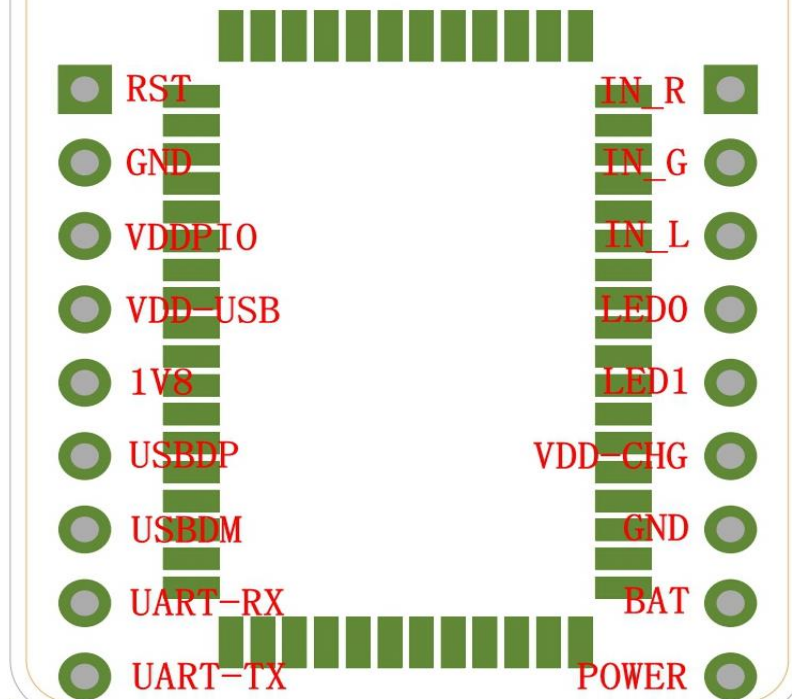


Bluetooth Stereo Audio Transmitter Module CSR57E6

CSR57E6 Breakout Board



CSR57E6转接IO定义



Bluetooth Stereo Audio Transmitter Module CSR57E6

1.1 Product Description

This module master uses the CSR's 57E6 chip to provide high quality sound quality and compatibility, and overall performance is superior. Bluetooth module using drive-free way, customers only need to access the application module, you can quickly achieve the music wireless transmission, enjoy the fun of wireless music. The main function of the current firmware is the Bluetooth audio transmitter function, do not need to press the key, boot after the active search in the Bluetooth pair from the device, and initiate the connection request, you can connect the pairing password "0000", "1111", "1234", " 1234 "device such as a Bluetooth headset.

Application areas

The module is mainly used for short-distance music transmission, can be easily and has a Bluetooth-enabled digital products connected to achieve the wireless transmission of music.

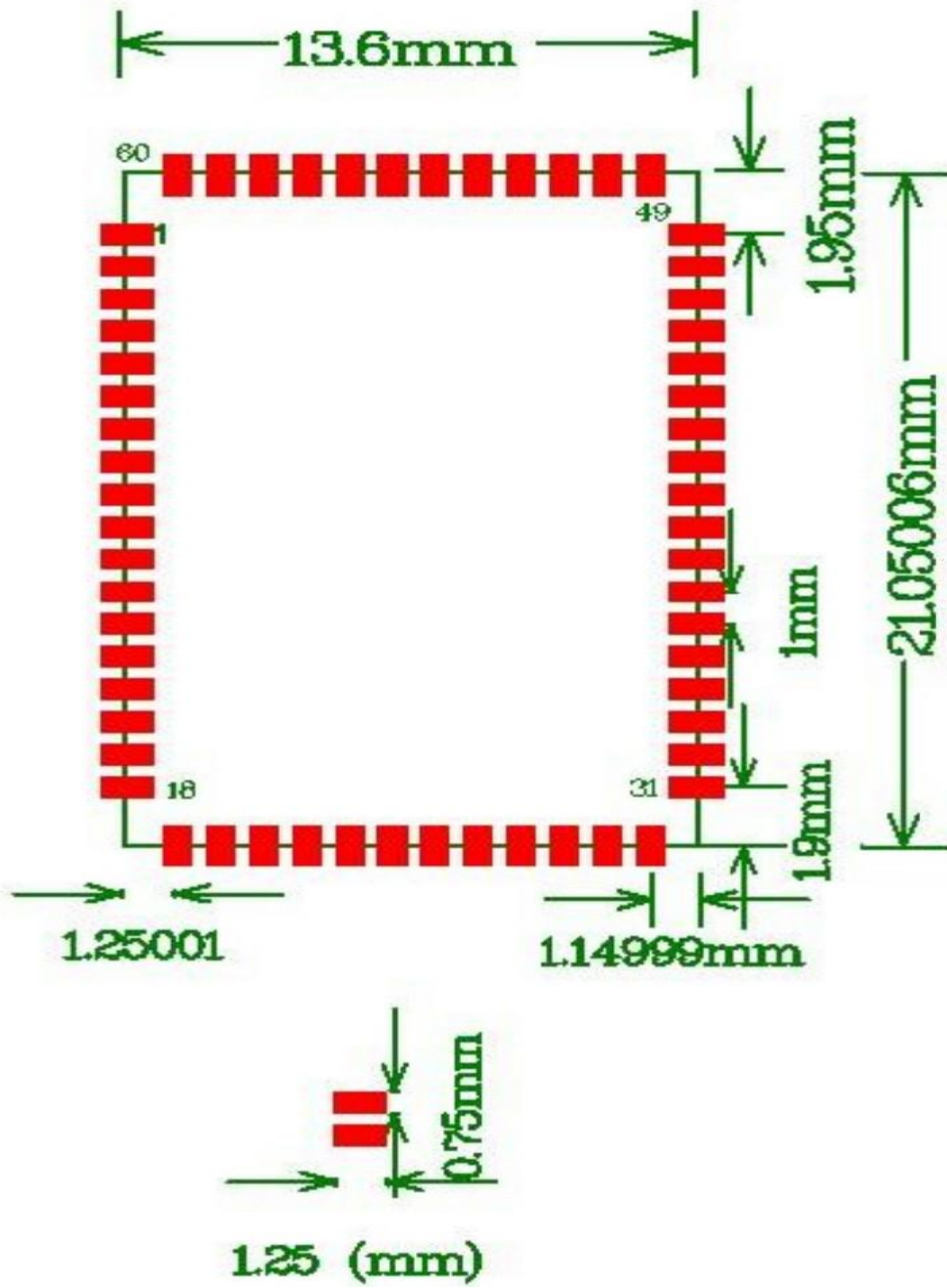
1.2 Basic features

- 1) Bluetooth v2.1 + EDR;
- 2) A2DP v1.2;
- 3) AVRCP v1.0;
- 4) AVTCP v1.0
- 5) HFP v1.5;
- 6) GAVDP1.2;
- 7) AVDTP1.0
- 8) Hands-Free Profile1.5;
- 9) Headset Profile v1.1。

1.3 Property

Model	CSR57E6
Bluetooth Specifications	Bluetooth V2.1+EDR
Supply Voltage	DC2.8-4.2V, $\leq 2.9V$ Automatic shut-down, $\leq 3.1V$ alarm
Support for Bluetooth Protocol	AVCTP 1.0, AVRCP 1.0, GAVDP1.2, AVDTP 1.0, A2DP 1.2, Hands-Free Profile 1.5, Headset Profile v1.1
Working current	$\leq 30mA$
Stand by current	$<100\mu A$
Temperature range	$-40^{\circ}C \sim +80^{\circ}C$
Wireless transmission range	$\leq 10M$
Transmission power	Class2 4dbm
Sensitivity	-80dBm@0.1%BER
Frequency range	2.4GHz~2.480GHz
Audio performance	stereo
Audio signal to noise ratio	$\geq 75dB$
Distortion	$\leq 0.1\%$

1.4 Module Size



Bluetooth Stereo Audio Transmitter Module CSR57E6

1.5 IO Definition

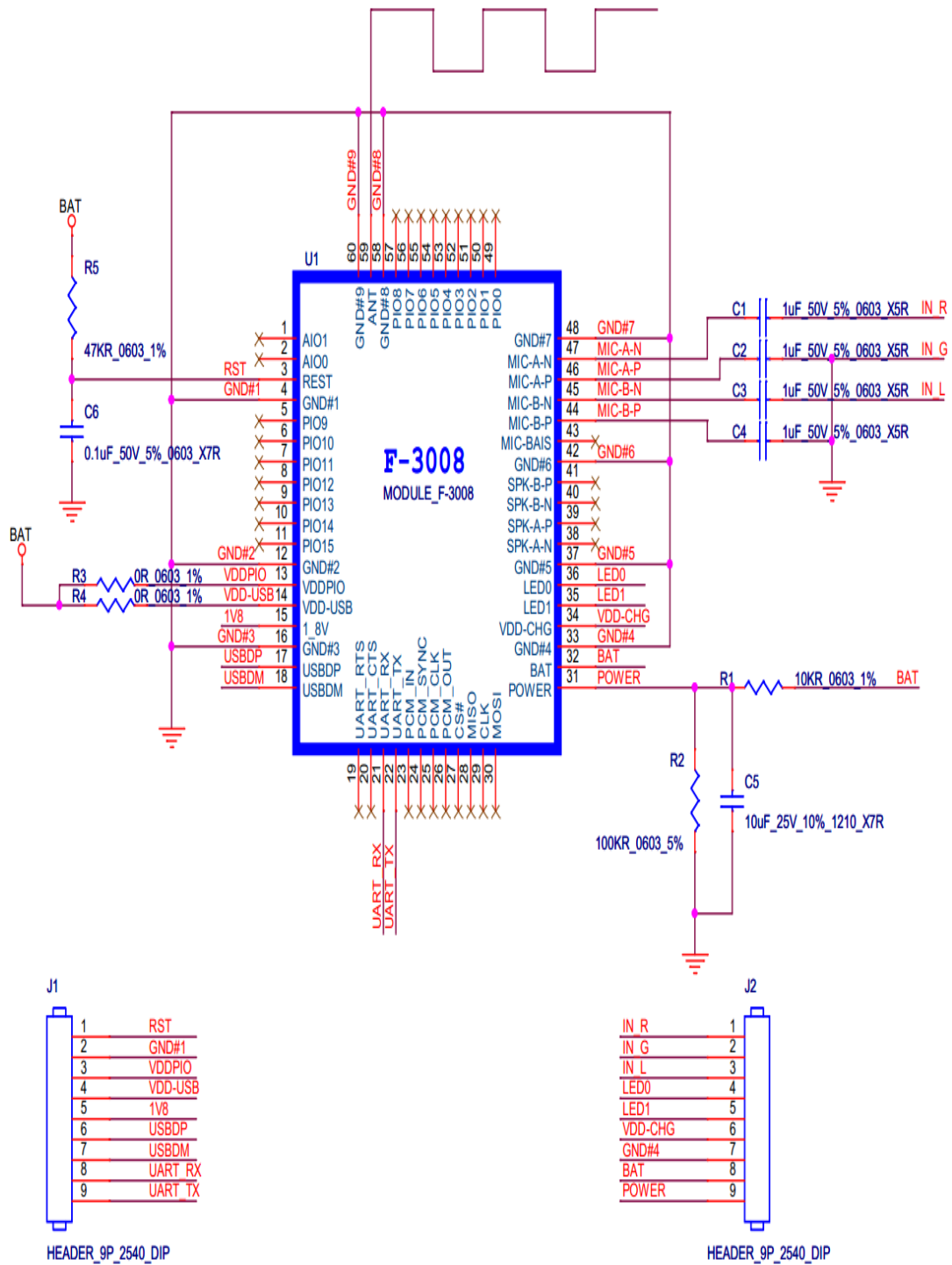
IO Number	IO Name
1	AIO1
2	AIO0
3	RTS
4	GND
5	PIO9
6	PIO10
7	PIO11
8	PIO12
9	PIO13
10	PIO14
11	PIO15
12	GND
13	VDDPIO
14	VDD-UART
15	1.8V
16	GND
17	USBDP
18	USBDN
19	UART-RTS
20	UART-CTS
21	UART-RX
22	UART-TX
23	PCM-IN
24	PCM-SYNC
25	PCM-CLK
26	PCM-OUT
27	CS#
28	MISO
29	CLK
30	MOSI
31	POWER
32	VBAT
33	GND
34	VDD-CHG
35	LED1
36	LED0
37	GND
38	SPAN
39	SPAP
40	SPBN
41	SPBP
42	GND
43	MICBIAS
44	MIC_BP
45	MIC_BN
46	MIC_AP
47	MIC_AN
48	GND
49	PIO0

Bluetooth Stereo Audio Transmitter Module CSR57E6

50	PIO1
51	PIO2
52	PIO3
53	PIO4
54	PIO5
55	PIO6
56	PIO7
57	PIO8
58	GND
59	ANT
60	GND

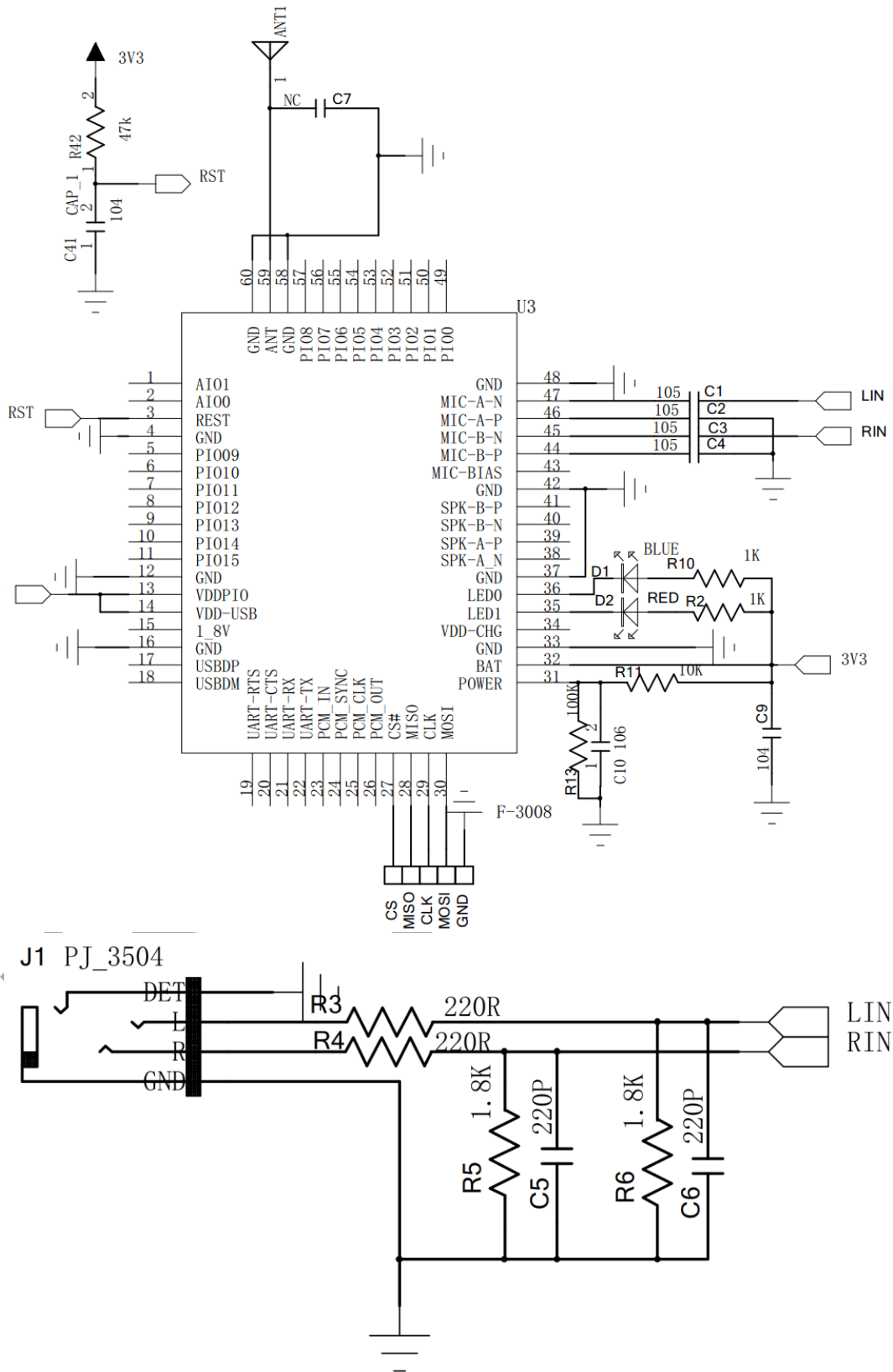
Bluetooth Stereo Audio Transmitter Module CSR57E6

1.6 Typical Circuit

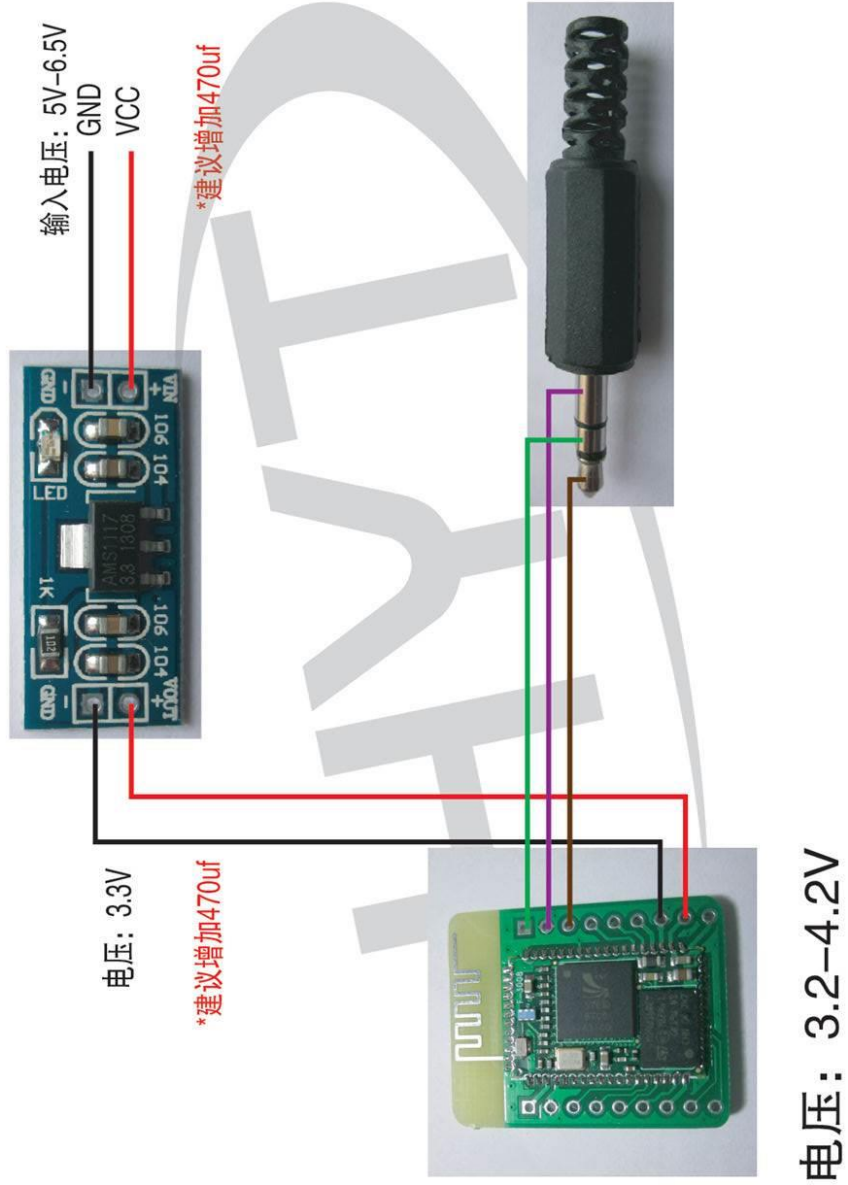
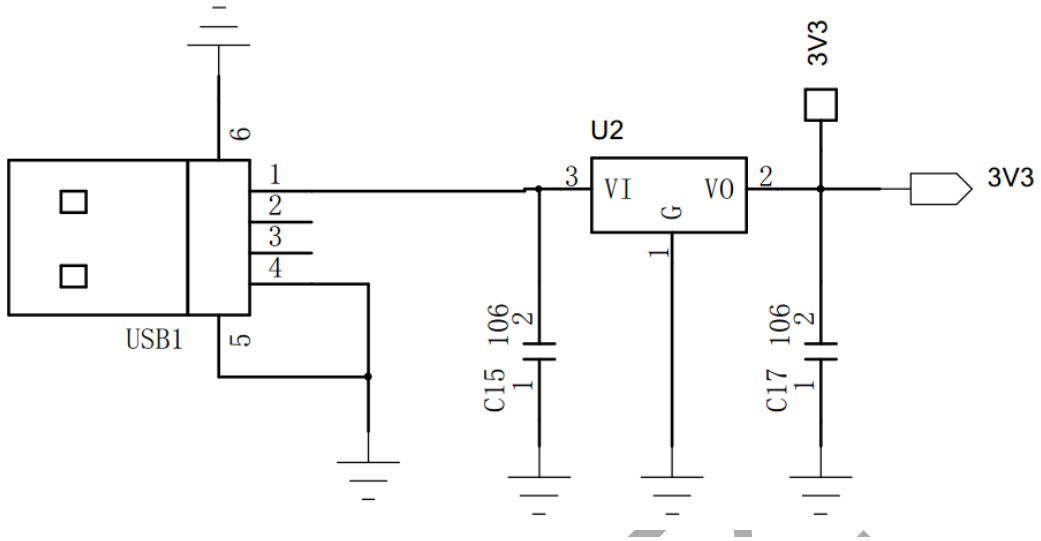


Bluetooth Stereo Audio Transmitter Module CSR57E6

1.6.1 Bluetooth Transmission



Bluetooth Stereo Audio Transmitter Module CSR57E6



1.7 Lithium Power

