

# SS-12 Series

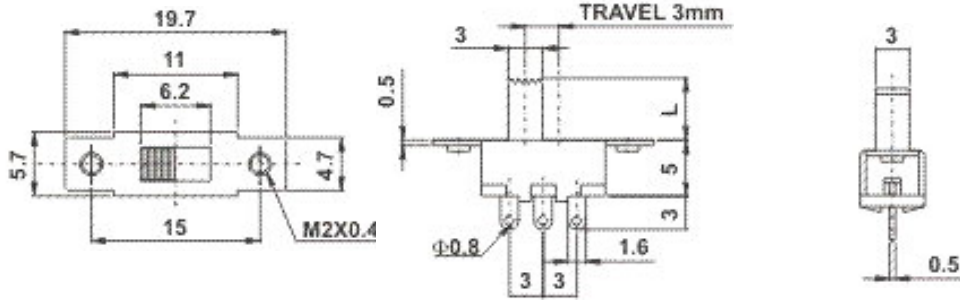
## Slide Switch Single Port

### ■ SPECIFICATIONS

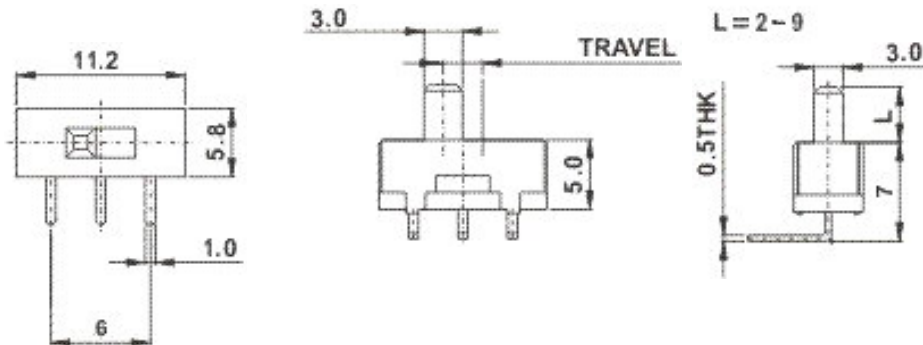
CONTACT ARRANGEMENT	SPDT
CONTACT RATING	0.5A 125VAC
CONTACT RESISTANCE	30mΩ Max. 1A 5VDC
INSULATION RESISTANCE	100MΩ Min. 500VDC
DIELECTRIC withstanding VOLTAGE	1000VAC for 1 min
OPERATING FORCE	300 ± 100g
ELECTRICAL LIFE	1x10 <sup>4</sup> Cycles

### ■ DIMENSION and CIRCUITRY

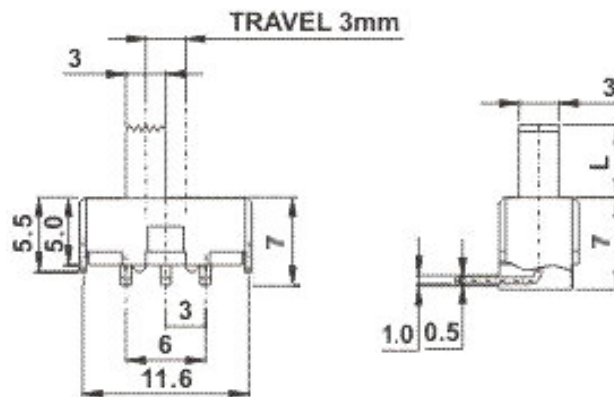
#### SS-12F16



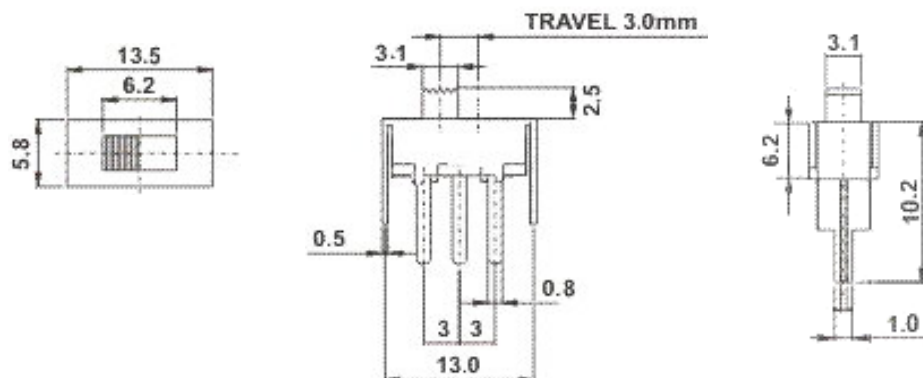
#### SS-12F21



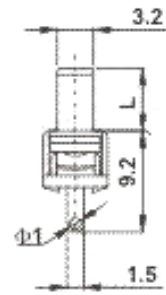
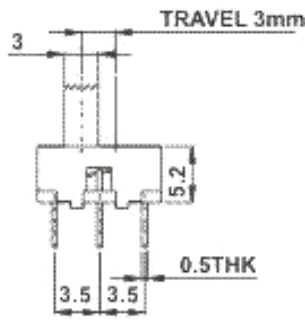
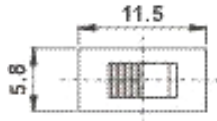
#### SS-12F23-4.5



#### SS-12F47



■ DIMENSION and CIRCUITRY  
SS-12F51-V4



SS-12F77-V4

