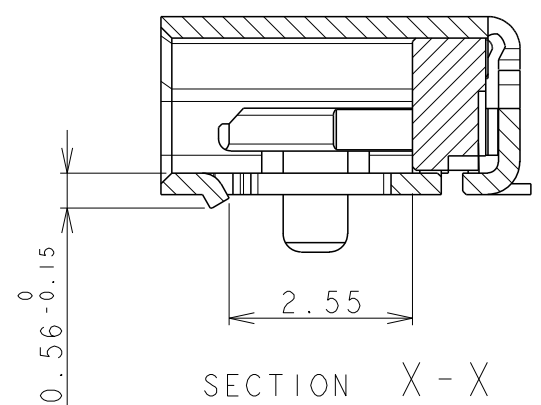
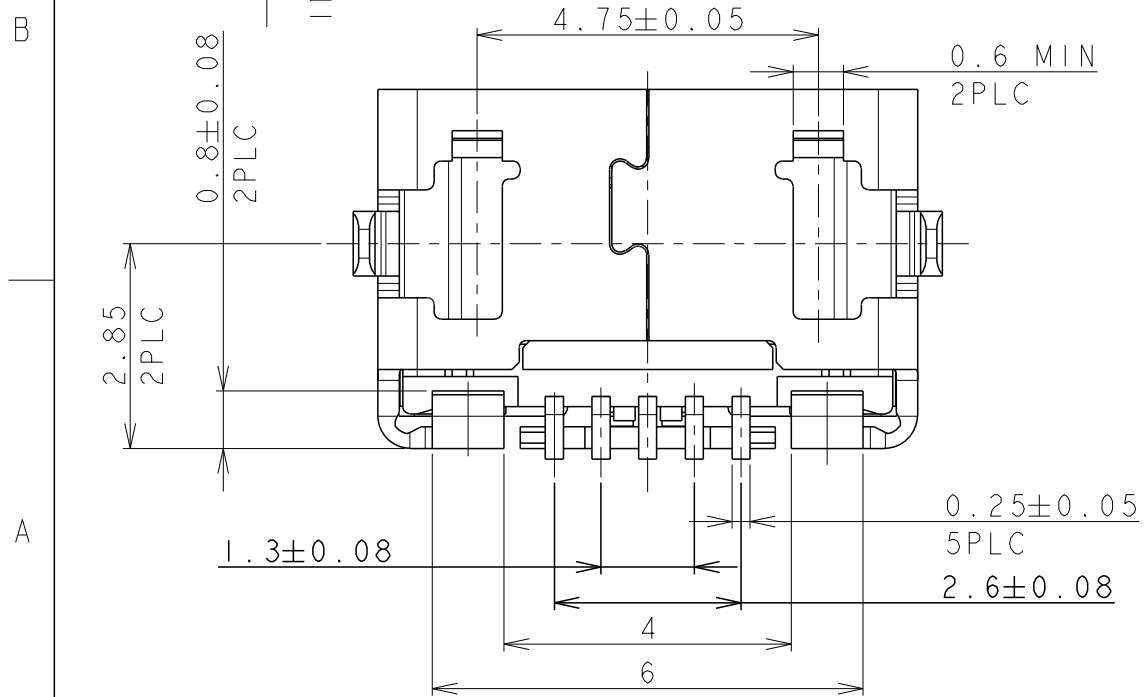
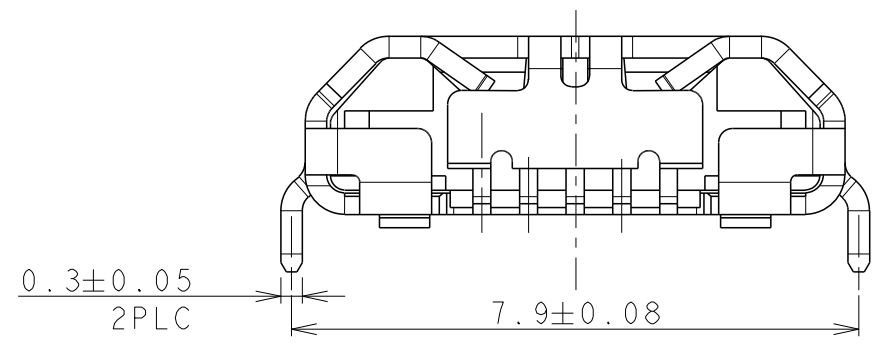
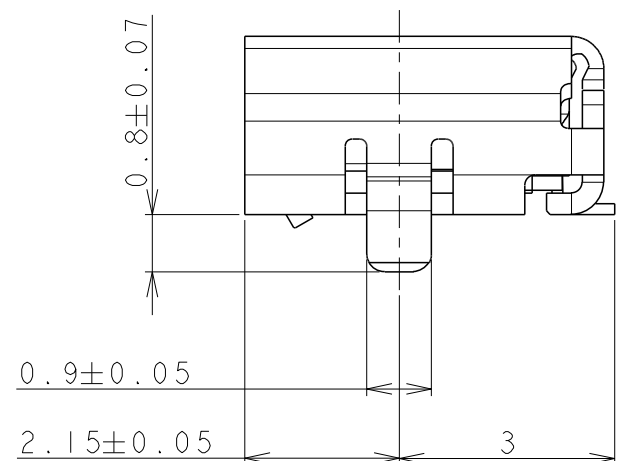
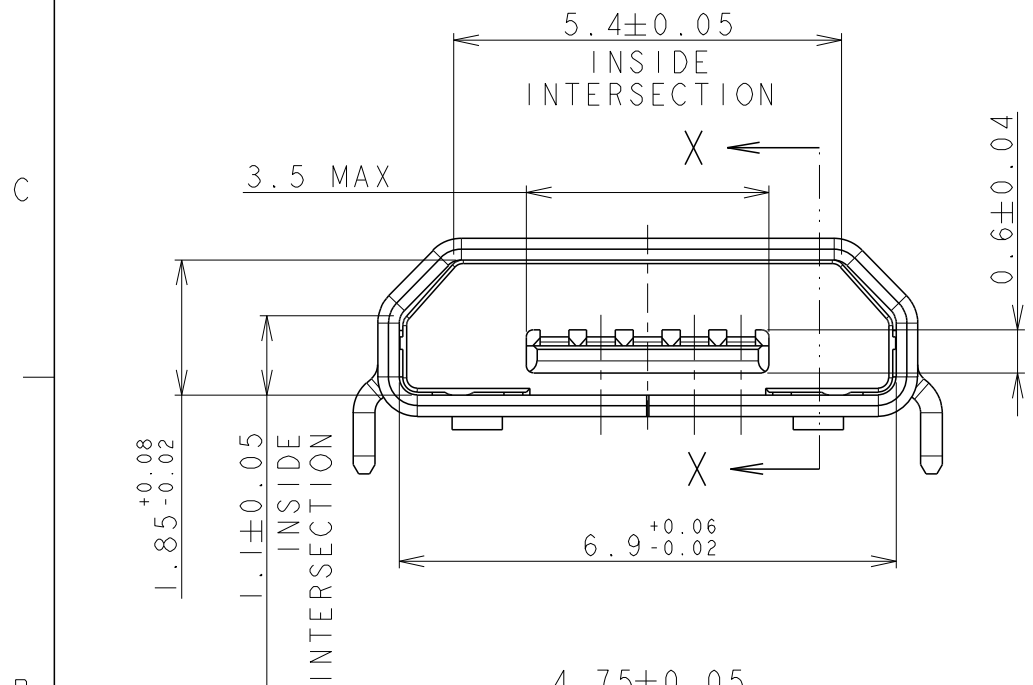


△ MATERIAL
 CONTACT: COPPER ALLOY
 SHELL: STAINLESS STEEL
 HOUSING: HIGH TEMPERATURE THERMO PLASTIC
 UL94V-0 BLACK
 △ FINISH
 CONTACT: 0.5 um MIN. GOLD PLATING ON CONTACT SURFACE AND
 0.05 um MIN. GOLD PLATING ON SOLDERING TINE SURFACE
 ALL OVER 0.8 um MIN NICKEL UNDER PLATING.
 SHELL: TIN PLATING ALL OVER NICKEL UNDER PLATING.
 CONTACT COPLANARITY: 0.08 MAX
 REFERENCE PICK AND PLACE AREA.
 DATE CODE MARKING: YWWD (YEAR/WEEK/DAY)
 SLP4 (SHIFT, LINE, P4=REVISION CODE)
 △ 3 RECOMMENDED PCB THICKNESS: 1.0±0.08
 △ 7 RECOMMENDED STENCIL THICKNESS: 0.10mm.

△ 6 RECOMMENDED PCB LAYOUT (GENERAL TOLERANCE: ±0.05)
 VIEWED FROM CONNECTOR MOUNT SIDE
 SCALE 5:1



1932788-1; AS SHOWN

| | | | | | |
|---|-----|--------------|--------------|---|---------------|
| THIS DRAWING IS A CONTROLLED DOCUMENT. | | DWN | 01AUG2011 | TE Connectivity MICRO USB CONNECTOR RECEPTACLE REVERSE TYPE B FLANGELESS | RESTRICTED TO |
| DIMENSIONS: mm | | CHK | Ming Shi | | |
| TOLERANCES UNLESS OTHERWISE SPECIFIED: ±0.3 | | APVD | Martin Li | | |
| 0 PLC ± 1 PLC ± 2 PLC ± 3 PLC ± 4 PLC ± ANGLES ±5° | | PRODUCT SPEC | 108-115022-1 | | |
| MATERIAL | △ 1 | FINISH | △ 2 | NAME | |
| WEIGHT | | 0.226g | | SIZE | A3 |
| CUSTOMER DRAWING | | SCALE 8:1 | | CAGE CODE | 300779 |
| SHEET 1 OF 2 | | DRAWING NO | | C=1932788 | |
| REV A1 | | | | | |

4

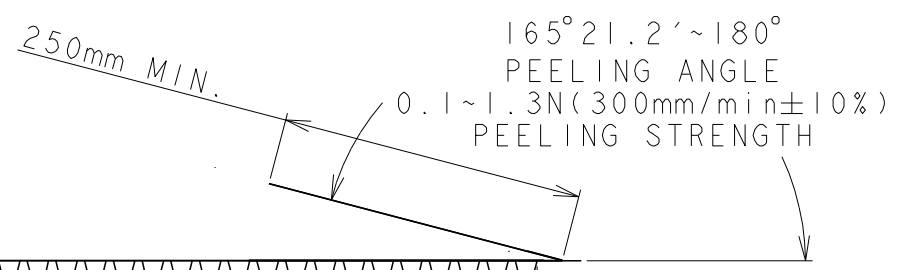
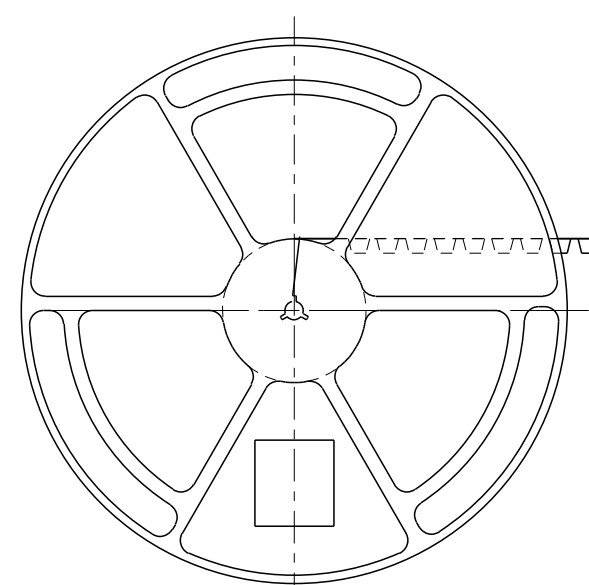
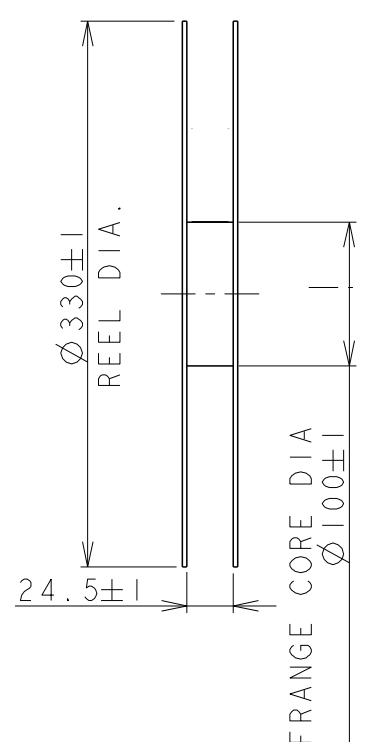
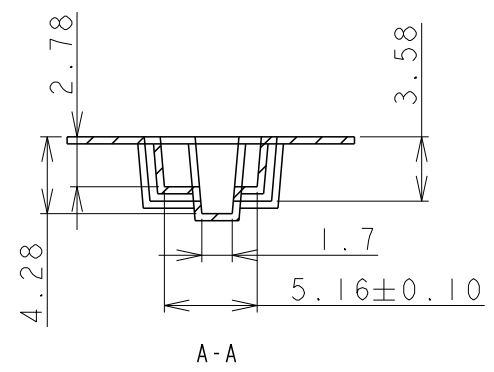
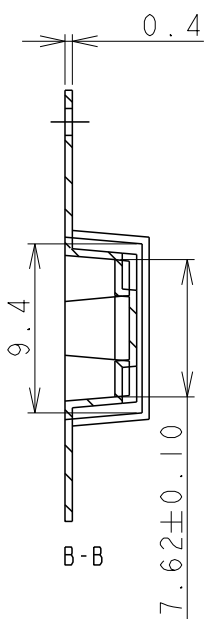
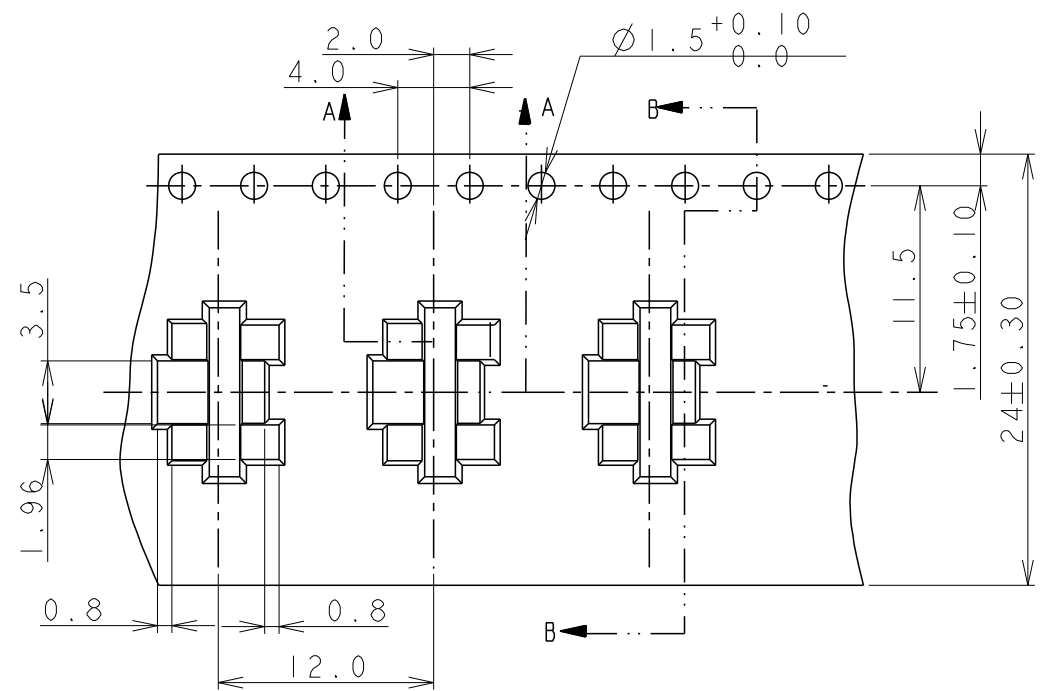
3

2

1

THIS DRAWING IS UNPUBLISHED. RELEASED FOR PUBLICATION 20
© COPYRIGHT 20 ALL RIGHTS RESERVED.

| LOC | DIST | REVISIONS | | | | | |
|-----|------|-----------|-----|-------------|------|-----|------|
| ES | 00 | P | LTR | DESCRIPTION | DATE | DWN | APVD |
| | | | | SEE SHEET 1 | | | |



40mm MIN. WITHOUT CHARGE SEALED WITH COVER TAPE | WITH PRODUCT CHARGE 1000 PCS/IREEL | 100mm MIN. WITHOUT CHARGE SEALED WITH COVER TAPE

NOTES:
1. MATERIAL: ANTISTATIC PS CLEAR, THICKNESS 0.40mm.
2. QUANTITY PER REEL: 1000 PCS.

| | | | | | |
|---|--------|------------------|--------------|---------------------|--|
| THIS DRAWING IS A CONTROLLED DOCUMENT. | | DWN | 01AUG2011 | TE Connectivity | NAME MICRO USB CONNECTOR RECEPTACLE REVERSE TYPE B FLANGELESS |
| DIMENSIONS: mm | | CHK | 01AUG2011 | | |
| TOLERANCES UNLESS OTHERWISE SPECIFIED: ±0.3 | | APVD | 01AUG2011 | | |
| 0-PLC ± 1-PLC ± 2-PLC ± 3-PLC ± 4-PLC ± ANGLES ±5° | | PRODUCT SPEC | 108-115022-1 | | |
| MATERIAL | FINISH | WEIGHT | X.XXg | SIZE | A3 |
| | | CUSTOMER DRAWING | | CAGE CODE | 00779 |
| | | | | DRAWING NO | C-1932788 |
| | | | | RESTRICTED TO | |
| | | | | SCALE | 8:1 |
| | | | | SHEET | 2 OF 2 |
| | | | | REV | A1 |