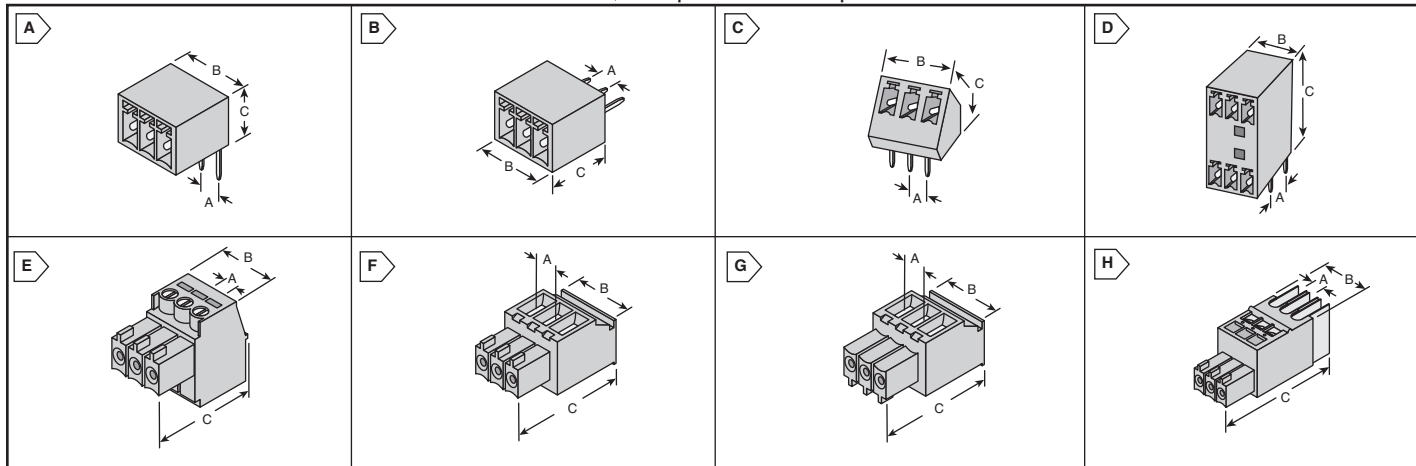


PHOENIX CONTACT 3.81mm Pluggable Terminal Blocks



This product is RoHS compliant.



3.81MM HEADERS

- RoHS Compliant per Phoenix documentation
• UL: 300V @ 8A, 30-14AWG
• Color: Green



3.81MM PLUGS

- RoHS Compliant per Phoenix documentation
• Color: Green
• UL: 300V @ 8A, 30-14AWG



PCB, Single Level, Through-Hole Solder Mounting

For quantities greater than listed, call for quote.

Table with columns: MOUSER STOCK NO., Fig., Phoenix Type, Pos., Dimensions: mm (A, B, C), Price Each (1, 10, 50). Includes 90° Socket-to-Pin Orientation and 180° Socket-to-Pin Orientation.

Screw Clamp Wire Termination

For quantities greater than listed, call for quote.

Table with columns: MOUSER STOCK NO., Fig., Phoenix Type, Pos., Dimensions: mm (A, B, C), Price Each (1, 10, 50). Includes 180° Wire-to-Plug Orientation and 90° Wire-to-Plug Orientation.

Table with columns: MOUSER STOCK NO., Fig., Phoenix Type, Pos., Dimensions: mm (A, B, C), Price Each (1, 10, 50). Includes 180° Socket-to-Pin Orientation and 45° Socket-to-Pin Orientation.

Table with columns: MOUSER STOCK NO., Fig., Phoenix Type, Pos., Dimensions: mm (A, B, C), Price Each (1, 10, 50). Includes 270° Wire-to-Plug Orientation.

Table with columns: MOUSER STOCK NO., Fig., Phoenix Type, Pos., Dimensions: mm (A, B, C), Price Each (1, 10, 50). Includes 45° Socket-to-Pin Orientation.

Double Level, Through-Hole Solder Mounting

For quantities greater than listed, call for quote.

Table with columns: MOUSER STOCK NO., Fig., Phoenix Type, Pos., Dimensions: mm (A, B, C), Price Each (1, 10, 50). Includes 90° Socket-to-Pin Orientation and 180° Wire-to-Plug Orientation.

Insulation Displacement Wire Termination

For quantities greater than listed, call for quote.

Table with columns: MOUSER STOCK NO., Fig., Phoenix Type, Pos., Dimensions: mm (A, B, C), Price Each (1, 10, 50). Includes 180° Wire-to-Plug Orientation.

Terminal Blocks Phoenix Contact

