

# AN3922NS

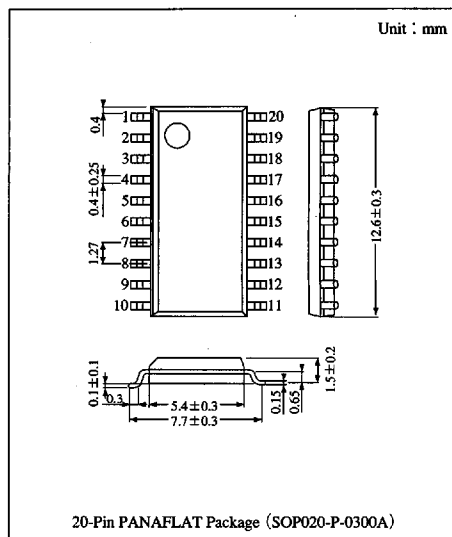
## FM Audio Signal Processing IC

### Overview

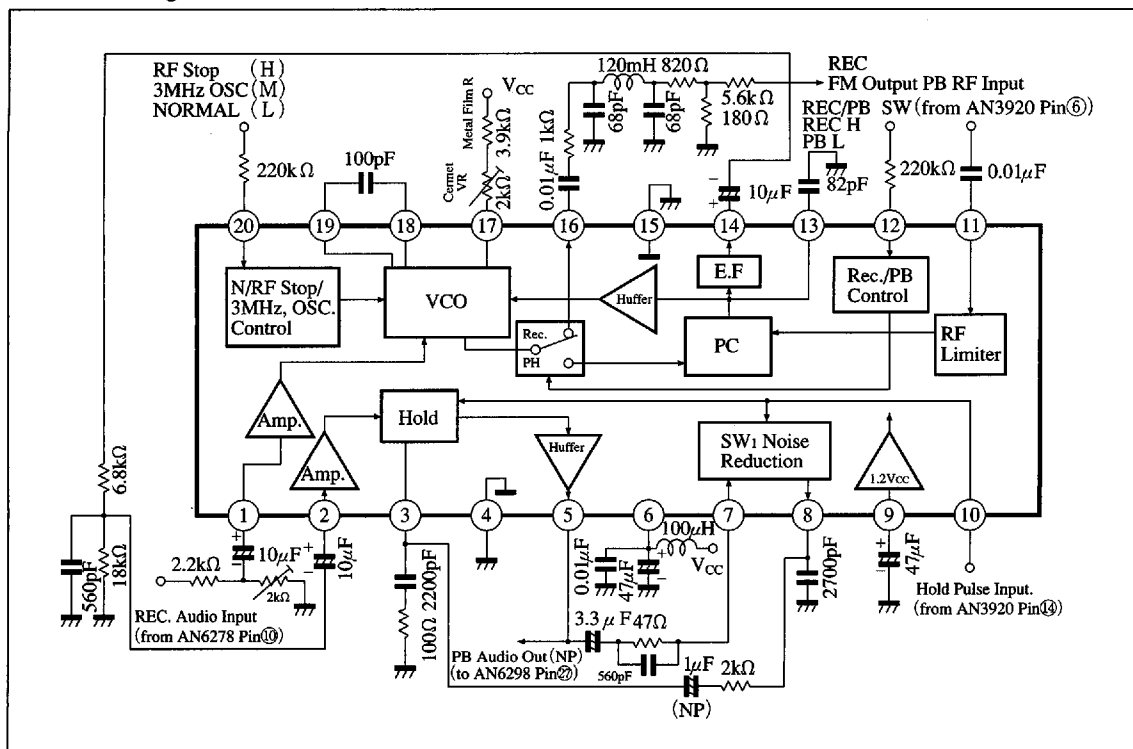
The AN3922NS is an integrated circuit designed for the FM audio modulation and demodulation for VCR.

### Features

- Built-in switching-noise-reduction circuit
- Erase oscillation (3MHz) possible
- Supply voltage : 5V



### Block Diagram



6932852 0014587 615