

This document is the property of Amphenol Corporation and is delivered on the express condition that it not be disclosed, reproduced or used, in whole or in part, for manufacture or sale by anyone other than Amphenol Corporation without its prior consent, and that no right is granted to disclose or to use any information in this document.

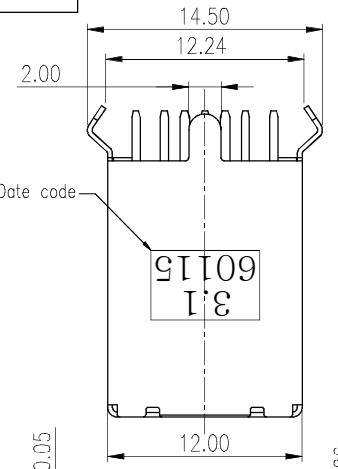
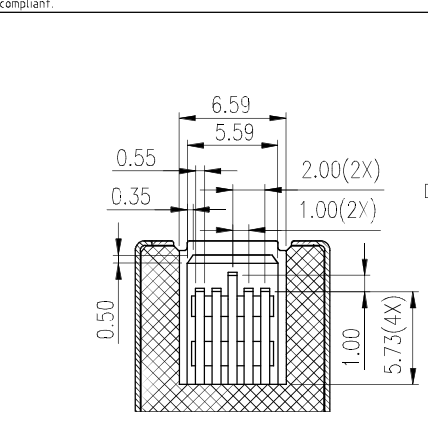
The marking on this product doesn't contain environmental hazardous materials per Material Specification SS-00259 for Sony GP compliant or per directive 2011/65/EU for RoHS compliant.

ORIGINAL

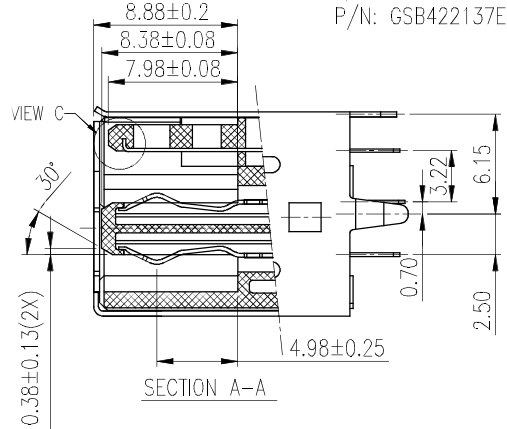
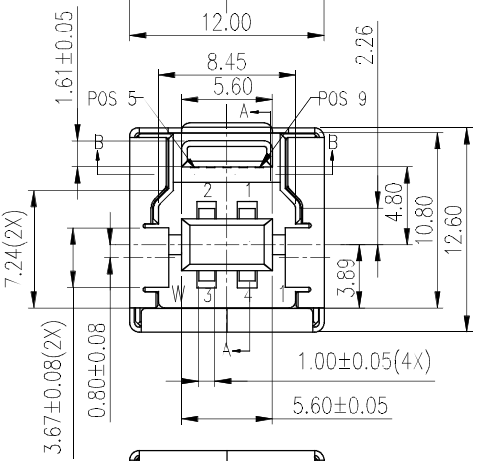
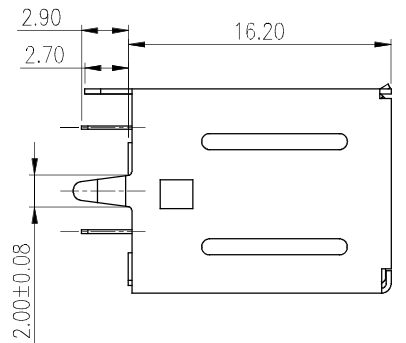
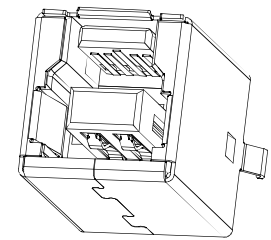
REVISIONS				
SYM	ECN No.	DESCRIPTION	DATE	APPROVED
A	NE-14181	RELEASE REVISION	10/15/2014	Arron Lin

NOTES:

- MATERIAL:**
HOUSING: PLASTIC, PBT, UL94V-0, COLOR: BLUE(300C).
TERMINAL(5P): BRASS.
TERMINAL(4P): PHOSPHOR BRONZE.
SHELL: BRASS.
- FINISH:**
TERMINAL:
CONTACT AREA: SELECTIVE GOLD PLATING ;
SOLDERING AREA: TIN PLATING 100 μ" THICKNESS MIN.;
UNDER PLATING: NICKEL PLATING 50 μ" THICKNESS MIN. OVERALL
SHELL:
NICKEL PLATING 50 μ" THICKNESS MIN. OVERALL
- THIS PRODUCT DOESN'T CONTAIN ENVIRONMENTAL HAZARDOUS PER DIRECTIVE 2011/65/EU FOR RoHS COMPLIANT.
- FOR WAVE SOLDERING PROCESS ONLY. TEMPERATURE NOT OVER 245°C.
- P/N: GSB422117EU/ GSB422127EU PRODUCT SPECIFICATION REFER TO: PS-7539
P/N: GSB422137EU/ GSB4221A7EU PRODUCT SPECIFICATION REFER TO: PS-7530

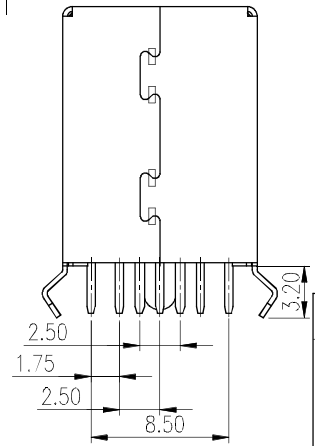
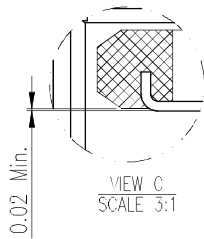
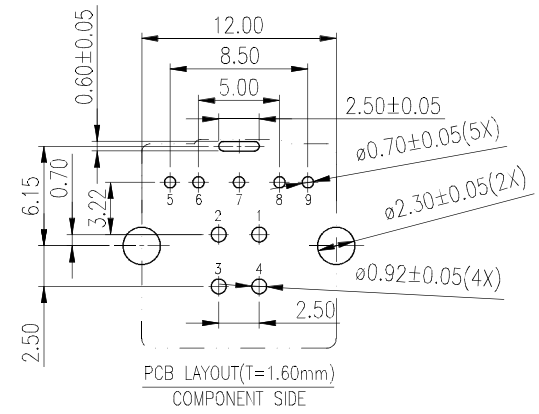


DATE CODE	DESCRIPTION
6 0 1 1 5	Friday
1 1	Weeks
3 1	Year
	Reserve



P/N : GSB4221 X 7EU

- Contact Finish
- 1: Flash gold
 - 2: 15u"gold
 - 3: 30u"gold
- A: 30u" gold (soldering area G/F plating)



TOLERANCE	APPROVALS	DATE	TITLE		PART No.	
X. ±0.30	DRAWN Debby Hung	10/15/2014	USB 3.1 B TYPE RECEPTACLE VERTICAL TYPE		Amphenol® Amphenol Corporation Amphenol Taiwan Corporation	
X.X ±0.20						
X.XX ±0.20	CHECKED Roger Tsai	10/15/2014	UNIT mm SIZE A3		PART No. GSB4221X7EU	
X.XXX ±0.10					DVG No. GSB4221X7EU	
ANGULAR ±1°	APPROVED Arron Lin	10/15/2014	SCALE NA	SHEET 1 OF 2	REV. A	
UNLESS OTHERWISE SPECIFIED	DWG TYPE CUST DWG	PROJECT CODE OTHER				

This document is the property of Amphenol Corporation and is delivered on the express condition that it is not to be disclosed, reproduced or used, in whole or in part, for manufacture or sale by anyone other than Amphenol Corporation without its prior consent, and that no right is granted to disclose or to use any information in this document.

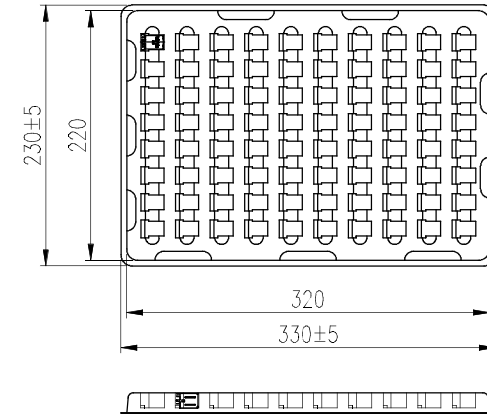
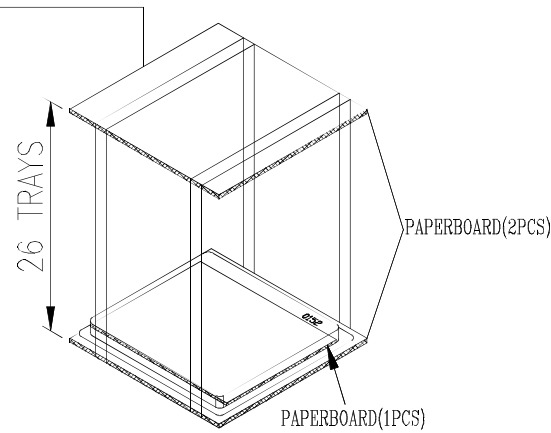
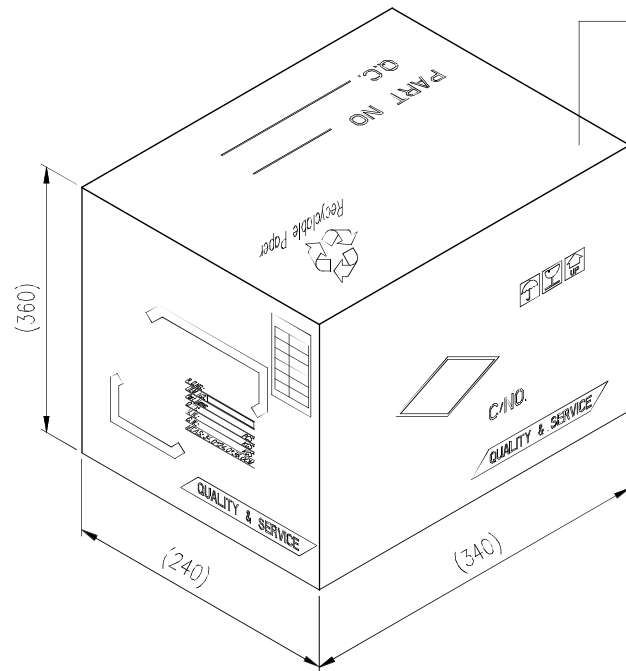
The marking on this product doesn't contain environmental hazardous materials per Material Specification SS-00259 for Sony GP compliant or per directive 2011/65/EU for RoHS compliant.



ORIGINAL



REVISIONS				
SYM	ECN No.	DESCRIPTION	DATE	APPROVED
A	NE-14181	RELEASE REVISION	10/15/2014	Arron Lin



80	26	2000	10.0	8.03	GSB4221X7EU
PCS/ TRAY	TRAYS/ BOX	QUANTITY (PCS)	G/W (Kg)	N/W (Kg)	PART NUMBER

TOLERANCE	APPROVALS	DATE	TITLE		
X. X.X ±0.30 X.XX ±0.20 X.XXX ±0.10	DRAWN Debby Hung	10/15/2014	USB 3.1 B TYPE RECEPTACLE VERTICAL TYPE		
	CHECKED Roger Tsai	10/15/2014			
	APPROVED Arron Lin	10/15/2014			
ANGULAR ±1°	DWG TYPE CUST DWG	PROJECT CODE OTHER	UNIT mm	SIZE A3	PART No. GSB4221X7EU
UNLESS OTHERWISE SPECIFIED			SCALE NA	SHEET 2 OF 2	DWG No. GSB4221X7EU REV. A

Amphenol®

Amphenol Corporation
Amphenol Taiwan Corporation

Mouser Electronics

Authorized Distributor

Click to View Pricing, Inventory, Delivery & Lifecycle Information:

[Amphenol:](#)

[GSB422137EU](#)