

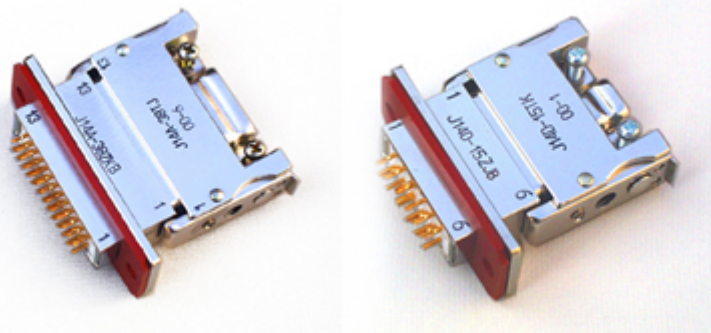
# Datasheet

## **J14A, J14C, J14D, J14G, Electrical series connector**

# J14A, J14C, J14D, J14G, Electrical series connector

<a href="#">Plug and Receptacle picture</a>	<a href="#">Brief Introduction</a>	<a href="#">Specification</a>
<a href="#">How to order</a>	<a href="#">Contact arrangement</a>	<a href="#">Product Outline Dimensions</a>

[■ Plug and Receptacle picture](#)



[■ Brief Introduction](#)

The series of connectors have the characteristics of double safety locking mechanisms, of novelty in structure, of diversity in sizes. They also have the little volume and high reliability. So they are suitable for the connections of the instruments and cables.

Type of product	Code name of executing specification
J14A	Q/Jc88-90
J14A-38	Q/Jc153-98 (Productive of military standard)
J14A(Class F)	Q/Jc180-99
J14C	Q/Jc98-91
J14D	Q/Jc99-91
J14G	Q/Jc194-99

[■ Specification](#)

Temperature	-55 to 125 ° C
Relative Humidity	temperature of 40 ± 2 ° C for 90 ~ 95%
Working Pressure	101.3KPa ~ 1.33Pa
Sine Vibration	196 m/s <sup>2</sup> acceleration 2000Hz
Collision	980m/s <sup>2</sup> acceleration
Acceleration	780m/s <sup>2</sup>

Main technical parameters	
Current rating	(As the table)
Contact resistance	less than 0.006 ohm in normal conditions

	less than 0.010 ohm after aging test
Insulation resistance	2000 megohms in normal conditions 1000 megohms in hot conditions 20 megohms in wet conditions
Dielectric withstanding voltage	800V in normal conditions 250V in low atmospheric pressure
Durability	500 cycles
Contact	Contact material is Brass with gold plating
Shell	Shell material is Aluminum with nickel plating
<a href="#">■How to order</a>	

J 14 A -9 Z J L

(1) (2) (3) (4) (5) (6) (7)

(1):Basic identifier

(2):Serial number of design,9,15,26,38,51,62,74

(3):Serial number of modification

(4):Number of contact

(5):Type of connector: T-plug Z-receptacle

(6):Type of contact K-socket J-pin

(7):Mounting styles: L-cable, B-panel

<a href="#">■contact arrangement</a>
--------------------------------------

1. The interface contact arrangement about the series of J14A receptacles(Current rating is 3A)

Number of contact	Pin	Hole
9		
15		
26		
38		
51		
62		
74		

2. The interface contact arrangement about the series of J14C receptacles(Current rating is 5A)

Number of contact	Pin	Hole
26		

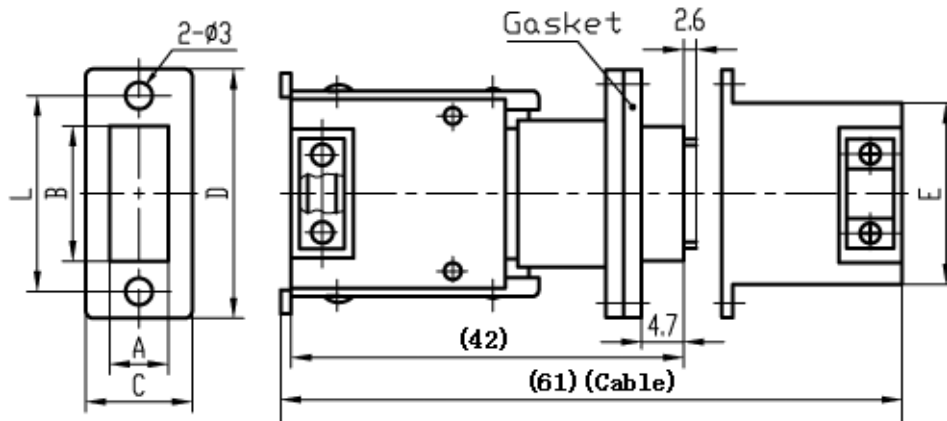
3.The interface contact arrangement about the series of J14D receptacles(2: 10A, 13: 3A)

Number of contact	Pin	Hole
15		

4. The interface contact arrangement about the series of J14G receptacles(4: 10A, 4: 3A)

Number of contact	Pin	Hole
8		

■Product Outline Dimensions



Type	Number of contact	L	A	B	C	D	E	d	Mount height	weight(g)		Current rating	
										Pin	Hole		
J14A-n	TK	9	22	6.6	15.2	12	28	17	3	42	11.7	4.3	3A
		15	28	6.6	21.2	12	34	23	3		13	5.3	3A
J14P-n	TJ	26	34	10	25	16	41	28.2	3.5		24	10	3A
		38	42	10	33	16	49	36.2	3.5		28	14.6	3A
		ZKB	51	52	10	43	16	59	46.1		3.5	31	15
ZKL	62		58	10	49	16	65	52.2	3.5		34	15.6	3A
ZJL	74		54	12	45	18	61	47.4	3.5		35.7	17	3A
J14C-n	ZJB	26	42	10	33	16	49	36.2	3.5		27	13	5A
J14D-n		15	34	10	25	16	41	28.2	3.5		22	10.5	2: 10A 13: 3A
J14G-n		8	34	10	25	16	41	28.2	3.5		20	9.5	4: 10A 4: 3A

Notes : 'n' is the contact number

**Cautious aspects**

1. Being soldered, the pothook of plug insulators should not be removed for avoiding the losing of contacts.
2. After socket-outlet and plug are mated together, the reed for the second locking should be in place