

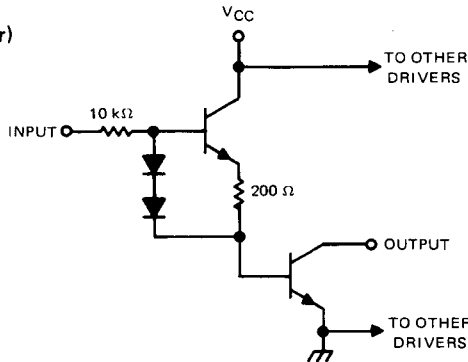
- 100-mA Output Sink Current Capability
- Low-Voltage Operation
- MOS- and TTL-Compatible Inputs
- Input Threshold . . . 2.7 V Max
- 7 Drivers (SN75497) or 9 Drivers (SN75498) per Package
- Low-Voltage Saturating Outputs
- Low Standby Power

**description**

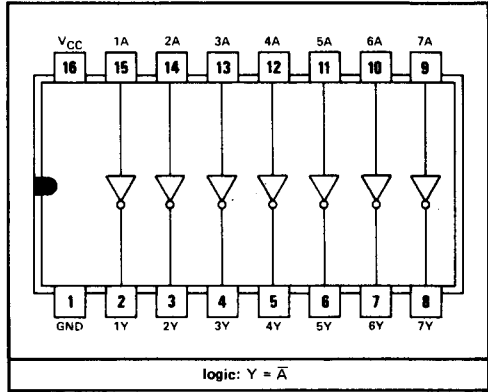
The SN75497 and SN75498 are designed to drive common-cathode LED's in serially addressed multi-digit displays used in conjunction with MOS calculator circuits. The input of each circuit is capable of interfacing with an MOS push-pull output buffer while the output is capable of sinking the output current from a strobed LED display. These drivers are also essentially compatible with TTL inputs. They have a guaranteed threshold of 2.7 volts maximum, making them ideal for two-battery calculators or other low-voltage battery systems. They are designed to be used with active-pull-down MOS devices, but can also be used with open-drain MOS outputs with the addition of pull-down resistors on each input.

The 100-mA output current capability (open collector) and low output saturation voltage makes these devices ideal for other applications such as lamp drivers, relay drivers, line drivers, high-fan-out TTL buffers, etc. The advantages over earlier digit drivers include lower operating voltage, lower output saturation voltage, lower input current, and higher input voltage range.

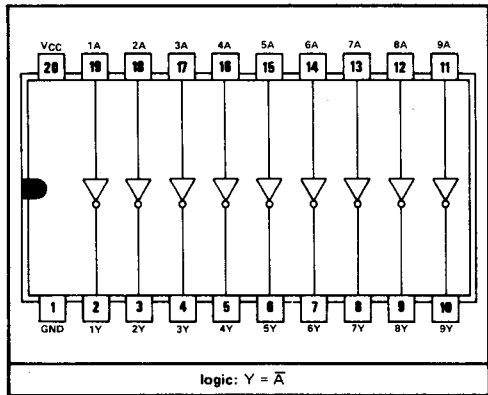
**schematic (each driver)**



SN75497 . . . N DUAL-IN-LINE PACKAGE  
(TOP VIEW)



SN75498 . . . N DUAL-IN-LINE PACKAGE  
(TOP VIEW)



columns  
Each of  
is which  
der, for  
put may  
a worst  
pose a  
display  
is 4 pF.  
were on

er must

i.6 mA.  
required  
ll the N  
rown in  
: at zero

IN  
RS

s 200 V  
de must

i.6 mA.  
can also

**3**

# TYPES SN75497, SN75498

## MOS-TO-LED 7- OR 9-CHANNEL DRIVERS

absolute maximum ratings over operating free-air temperature range (unless otherwise noted)

Supply voltage, $V_{CC}$ (see Note 1)	.....	-11 V to $V_{CC}$
Input voltage	.....	V
Output voltage	.....	V
Continuous output collector current	.....	125
Ground-terminal current	.....	250
Continuous total dissipation over entire operating range	.....	500
Operating free-air temperature range	.....	0°C to 70°C
Storage temperature range	.....	-65°C to 150°C
Lead temperature 1/16 inch from case for 10 seconds	.....	260

NOTE 1: Voltage values are with respect to network ground terminal.

recommended operating conditions

		MIN	MAX	UNITS
Supply voltage, $V_{CC}$	.....	2.7	6.6	V
High-level input voltage, $V_{IH}$	.....	2.7	$V_{CC}$	V
Low-level input voltage, $V_{IL}$	.....	-8.5	0	V
Output Current, $I_O$	.....		100	mA
Operating free-air temperature, $T_A$	.....	0	70	°C

electrical characteristics over recommended free-air temperature range (unless otherwise noted)

PARAMETER		TEST CONDITIONS		MIN	TYP†	MAX	UNITS
$I_{O(off)}$	Off-state output current	$V_{CC} = 6.6$ V, A at 0 V,	Y at 6.6 V		10	100	$\mu$ A
$V_{O(on)}$	On-state output voltage	$V_{CC} = 6.6$ V, A at 6.6 V thru 500 $\Omega$ ,	$I_O = 100$ mA	0.24	0.4		V
		$V_{CC} = 2.7$ V, A at 2.7 V thru 500 $\Omega$	$I_O = 50$ mA $I_O = 100$ mA	0.12 0.24	0.25 0.4		V
$I_{IH}$	High-level input current	$V_{CC} = 6.6$ V, A at 6.6 V,	$I_O = 100$ mA	0.6	1		mA
		$V_{CC} = 2.7$ V, A at 2.7 V,	$I_O = 100$ mA		0.4		mA
$I_{IL}$	Low-level input current	$V_{CC} = 6.6$ V, A at -8.5 V,	$V_O = 6.6$ V	-10	-100		$\mu$ A
		$V_{CC} = 2.7$ V, A at -8.5 V,	$V_O = 2.7$ V		-100		$\mu$ A
$I_{CC}$	Supply current	One driver on	$V_{CC} = 6.6$ V, One A input at 6.6 V, $I_O = 100$ mA, Other A inputs at 0 V	2.5	5		mA
		All drivers off	$V_{CC} = 6.6$ V, All inputs at 0 V		200		$\mu$ A

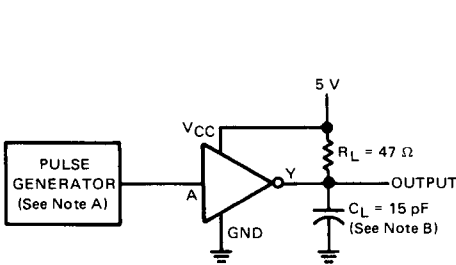
† All typical values are at  $T_A = 25^\circ\text{C}$

# TYPES SN75497, SN75498 MOS-TO-LED 7- OR 9-CHANNEL DRIVERS

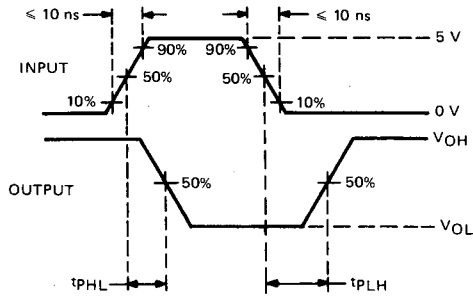
switching characteristics,  $V_{CC} = 5\text{ V}$ ,  $T_A = 25^\circ\text{C}$

PARAMETER	TEST CONDITIONS	MIN	TYP	MAX	UNIT
$t_{PLH}$ Propagation delay time, low-to-high level output	$C_L = 15\text{ pF}$ , $R_L = 47\ \Omega$		250		ns
$t_{PHL}$ Propagation delay time, high-to-low level output			40		ns

## PARAMETER MEASUREMENT INFORMATION



TEST CIRCUITS



VOLTAGE WAVEFORMS

NOTES: A. The pulse generator has the following characteristics:  $Z_{out} = 50\ \Omega$ ,  $PRR = 100\text{ kHz}$ ,  $t_w = 1\ \mu\text{s}$ .  
B.  $C_L$  includes probe and jig capacitance.

FIGURE 1—PROPAGATION DELAY TIMES  
TYPICAL CHARACTERISTICS

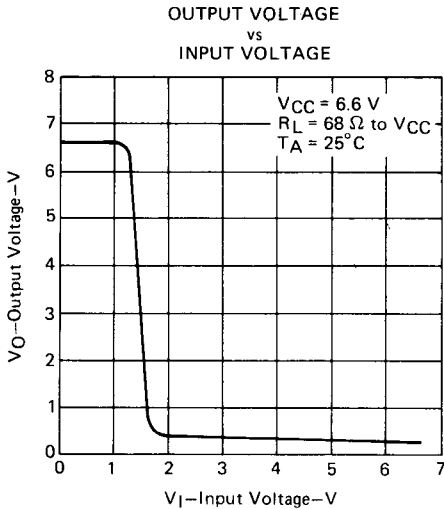


FIGURE 2

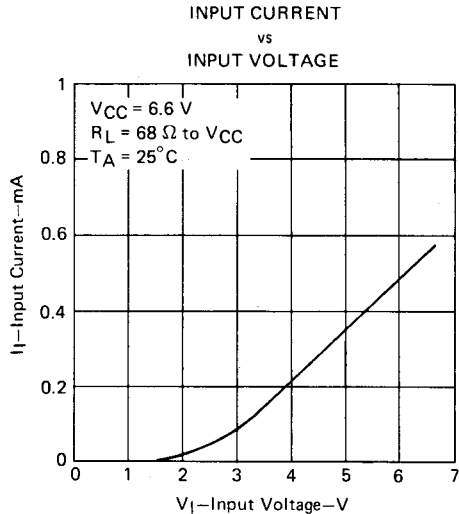


FIGURE 3