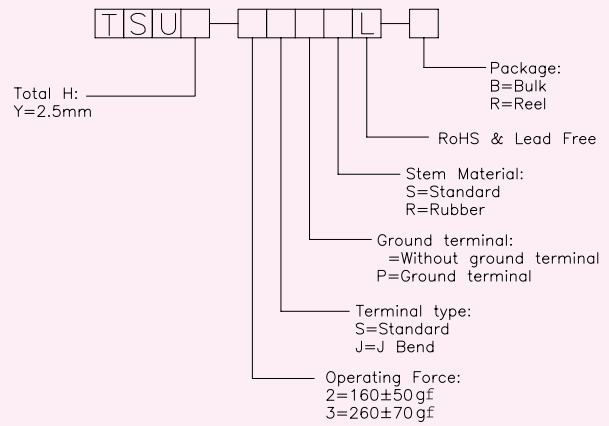


TSU Series

6.1 × 3.7 SMD Tact Switch



How to order



Features

- Highly reliable contacts sealed structure.
- Larger top surface of stem improves mounting speed.
- Reflow solderable.
- Packaged with a 16mm wide embossed taping.

Applications

Operating switches in all types of electronic equipment such as audio apparatus, office equipment, communication apparatus, measuring instruments, TV sets, VCRs, etc.

Specification

Items		Standard
Operating temperature range		- 20 to +70
Electrical performance	Rating	50mA, 12V DC
	Insulation resistance	100MΩ min. 100V DC
	Dielectric strength	250V AC for 1 min.
	Contact resistance	100mΩ max.
Durability	Lifetime	50,000 Cycles, 100,000 Cycles
Mechanical performance	Operating force	2:160 ± 50gf, 3:260 ± 70gf
	Travel	0.25 ± 0.1mm

Diagram

	TSUY-S	TSUY-J	TSUY-SP
Dimensions			
Circuit Diagram	<p>Circuit Diagram</p>	<p>Circuit Diagram</p>	<p>Circuit Diagram</p>
Pad Layout	<p>PCB Board</p>	<p>PCB Board</p>	<p>PCB Board</p>

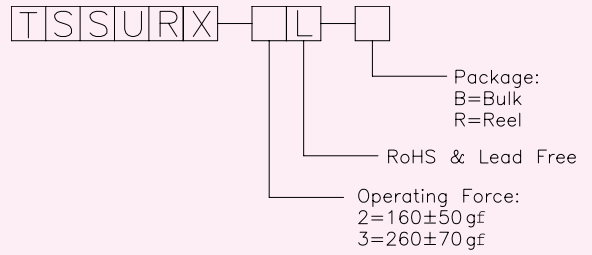
* Please follow drawing of Approved Sheet that catalog drawing only for reference.

TSSURX Series

6.2 x 3.6 SMD Tact Switch



How to order



Features

Compact, low-profile surface-mounting type keyboard switches ideal for high-density mounting.
Contacts are completely sealed, enhancing reliability.
Reflow solderable.
Available with ground terminal for electrostatic discharge.

Applications

Operating switches in all types of electronic equipment such as audio apparatus, office equipment, communication apparatus, measuring instruments, TV sets, VCRs, etc.

Specification

Items		Standard
Operating temperature range		- 20 to +70
Electrical performance	Rating	50mA, 12V DC
	Insulation resistance	100MΩ min. 100V DC
	Dielectric strength	250V AC for 1 min.
	Contact resistance	100mΩ max.
Durability	Lifetime	50,000 Cycles, 100,000 Cycles
Mechanical performance	Operating force	2:160 ± 50gf, 3:260 ± 70gf
	Travel	0.40 ± 0.2mm

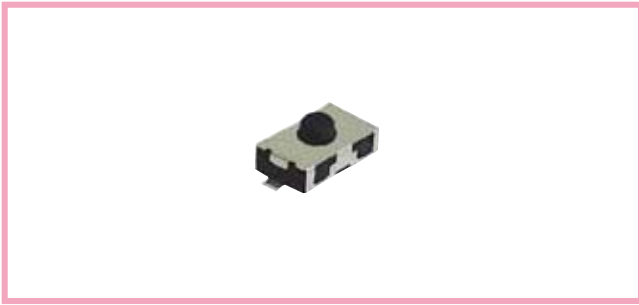
Diagram

TSSURX	
Dimensions	
Circuit Diagram	<p>Circuit Diagram</p>
Pad Layout	<p>PCB Board</p>

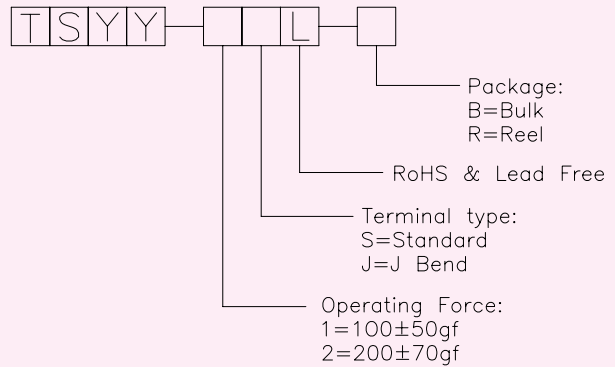
* Please follow drawing of Approved Sheet that catalog drawing only for reference.

TSY Series

6.0 x 4.0 Normal Closed Type Tact Switch



How to order



Features

- Highly reliable contacts sealed structure.
- Larger top surface of stem improves mounting speed.
- Reflow solderable.
- Packaged with a 16mm wide embossed taping.

Applications

Operating switches in all types of electronic equipment such as audio apparatus, office equipment, communication apparatus, measuring instruments, TV sets, VCRs, etc.

Specification

Items		Standard
Operating temperature range		- 20 to +70
Electrical performance	Rating	50mA, 12V DC
	Insulation resistance	100MΩ min. 100V DC
	Dielectric strength	250V AC for 1 min.
	Contact resistance	100mΩ max.
Durability	Lifetime	50,000 Cycles, 100,000 Cycles
Mechanical performance	Operating force	1:100 ± 50gf, 2:200 ± 70gf
	Travel	0.3 ± 0.15mm

Diagram

TSYY	
Dimensions	
Circuit Diagram	<p>Circuit Diagram</p>
Pad Layout	<p>PCB Board</p>

* Please follow drawing of Approved Sheet that catalog drawing only for reference.

TSY Series

6.0 × 5.0 Normal Closed Type Tact Switch



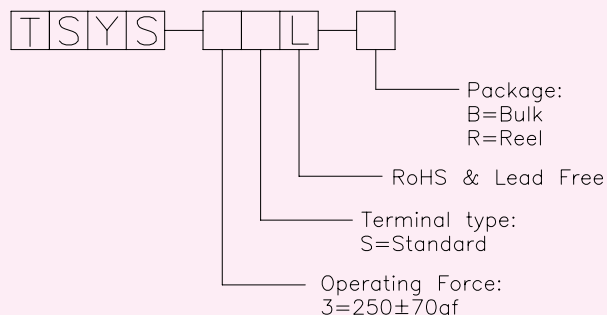
Tact Switch



Features

- Highly reliable contacts sealed structure.
- Larger top surface of stem improves mounting speed.
- Reflow solderable.
- Packaged with a 16mm wide embossed taping.

How to order



Applications

Operating switches in all types of electronic equipment such as audio apparatus, office equipment, communication apparatus, measuring instruments, TV sets, VCRs, etc.

Specification

Items		Standard
Operating temperature range		- 20 to +70
Electrical performance	Rating	50mA, 12V DC
	Insulation resistance	100MΩ min. 100V DC
	Dielectric strength	250V AC for 1 min.
	Contact resistance	100mΩ max.
Durability	Lifetime	50,000 Cycles, 100,000 Cycles
Mechanical performance	Operating force	3:250 ± 70gf
	Travel	0.25 ± 0.1mm

Diagram

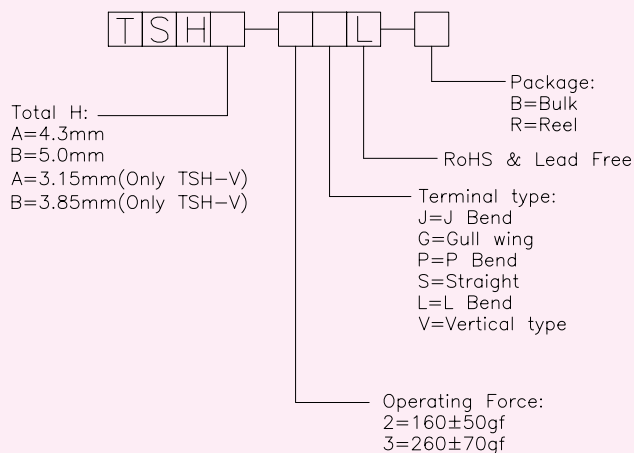
TSYS	
Dimensions	
Circuit Diagram	<p>Circuit Diagram</p>
Pad Layout	<p>PCB Board</p>

TSH Series

6.0 × 3.5 Horizontal Push Tact Switch



How to order



Features

Reflow solderable.
 Packaged with a 16mm wide embossed taping.
 Sharp "click" feel with a positive tactile feedback.

Applications

Operating switches in all types of electronic equipment such as audio apparatus, office equipment, communication apparatus, measuring instruments, TV sets, VCRs, etc.

Specification

Items		Standard
Operating temperature range		- 20 to +70
Electrical performance	Rating	50mA, 12V DC
	Insulation resistance	100MΩ min. 100V DC
	Dielectric strength	250V AC for 1 min.
	Contact resistance	100mΩ max.
Durability	Lifetime	30,000 Cycles, 50,000 Cycles
Mechanical performance	Operating force	2:160 ± 50gf, 3:260 ± 70gf
	Travel	0.25 ± 0.1mm

Diagram

	TSH-J	TSH-G	TSH-P
Dimensions			
Circuit Diagram			
Pad Layout			

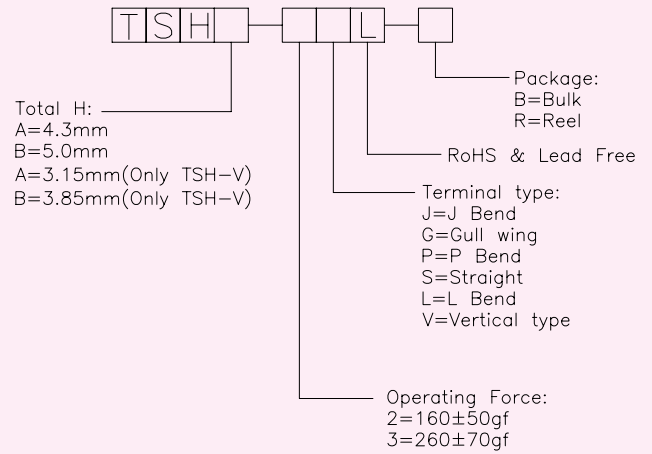
* Please follow drawing of Approved Sheet that catalog drawing only for reference.

TSH Series

6.0 x 3.5 Vertical Push & Horizontal Push Tact Switch



How to order



Features

- Reflow solderable.
- Packaged with a 16mm wide embossed taping.
- Sharp "click" feel with a positive tactile feedback.

Applications

Operating switches in all types of electronic equipment such as audio apparatus, office equipment, communication apparatus, measuring instruments, TV sets, VCRs, etc.

Specification

Items		Standard
Operating temperature range		- 20 to +70
Electrical performance	Rating	50mA, 12V DC
	Insulation resistance	100MΩ min. 100V DC
	Dielectric strength	250V AC for 1 min.
	Contact resistance	100mΩ max.
Durability	Lifetime	30,000 Cycles, 50,000 Cycles
Mechanical performance	Operating force	2:160 ± 50gf, 3:260 ± 70gf
	Travel	0.25 ± 0.1mm

Diagram

	TSH-S	TSH-L	TSH-V
Dimensions			
Circuit Diagram			
Pad Layout			

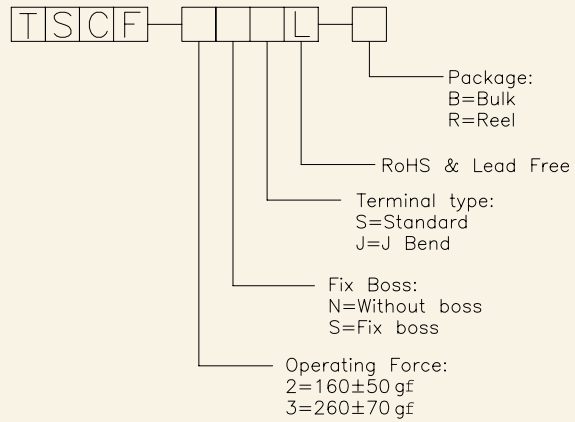
* Please follow drawing of Approved Sheet that catalog drawing only for reference.

TSCF Series

4.7 x 3.5 Side Push Tact Switch



How to order



Features

Suitable for high-density mounting.
Vertical type capable of vertical operation to the PC board.
Contacts are completely sealed, enhancing reliability.
Packaged with a 12mm wide embossed taping.

Applications

Portable devices
Mobile phones and personal digital assistants.
Operation of various digital devices.

Specification

Items		Standard
Operating temperature range		- 20 to +70
Electrical performance	Rating	50mA, 12V DC
	Insulation resistance	100MΩ min. 100V DC
	Dielectric strength	250V AC for 1 min.
	Contact resistance	100mΩ max.
Durability	Lifetime	50,000 Cycles, 100,000 Cycles
Mechanical performance	Operating force	2:160 ± 50gf, 3:260 ± 70gf
	Travel	0.25 ± 0.1mm

Diagram

	TSCF-NS	TSCF-SS	TSCF-NJ	TSCF-SJ
Dimensions				
Circuit Diagram				
Pad Layout				

* Please follow drawing of Approved Sheet that catalog drawing only for reference.

TS4V Series

4.6 x 3.35 Side Push Tact Switch



Tact Switch (Side Push)



Features

Vertical type capable of Vertical operation to the PC board.
The switch is supplied in 12mm embossed taping system.

Applications

Portable devices
Mobile phones and personal digital assistants.
Operation of variouws digital devices.

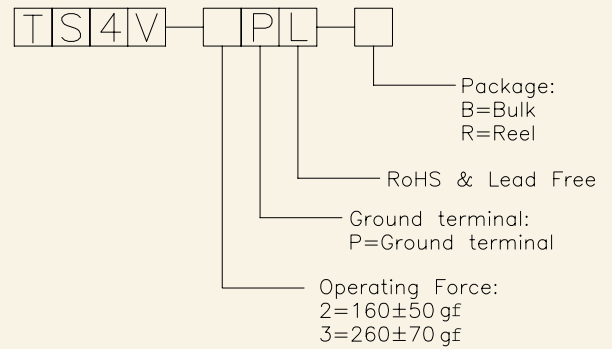
Specification

Items		Standard
Operating temperature range		- 20 to +70
Electrical performance	Rating	50mA, 12V DC
	Insulation resistance	100MΩ min. 100V DC
	Dielectric strength	250V AC for 1 min.
	Contact resistance	100mΩ max.
Durability	Lifetime	50,000 Cycles, 100,000 Cycles
Mechanical performance	Operating force	2:160 ± 50gf, 3:260 ± 70gf
	Travel	0.25 ± 0.1mm

Diagram

TS4V	
Dimensions	<p>Top view dimensions: 4.48, 3.35 Max., 4.25, 4.6 Max.</p> <p>Side view dimensions: 2.56, 0.55, 1.7, 1.2, 0.7, 0.45, 0.85, 3.4 ± 0.1</p> <p>Bottom view dimensions: 0.65, 0.5, 0.65, 3</p>
Circuit Diagram	<p>Circuit Diagram</p>
Pad Layout	<p>PCB Board</p> <p>Dimensions: 3.2, 1.7, 0.6, 2-φ0.8 Hole, 1.5, 1.8, 0.9, 2.4, 4.25, 5</p>

How to order



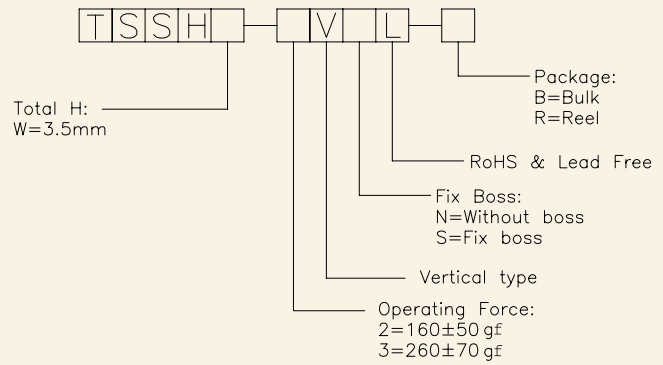
* Please follow drawing of Approved Sheet that catalog drawing only for reference.

TSSH-VS Series

4.6 × 1.8 Side Push Tact Switch



How to order



Features

- Improve mounting density of components on PC board.
- Reflow solderable.
- Contacts are completely sealed, enhancing reliability.
- Packaged with a 12mm wide embossed taping.

Applications

- For operating various mobile devices.
- For operating various devices that require high density mounting such as mobile phones, communication devices, compact electronic devices.

Specification

Items		Standard
Operating temperature range		- 20 to +70
Electrical performance	Rating	50mA, 12V DC
	Insulation resistance	100MΩ min. 100V DC
	Dielectric strength	250V AC for 1 min.
	Contact resistance	100mΩ max.
Durability	Lifetime	30,000 Cycles, 50,000 Cycles
Mechanical performance	Operating force	2:160 ± 50gf, 3:260 ± 70gf
	Travel	0.25 ± 0.1mm

Diagram

	TSSH-VS	TSSH-VN
Dimensions		
Circuit Diagram	<p>Circuit Diagram</p>	<p>Circuit Diagram</p>
Pad Layout	<p>PCB Board</p>	<p>PCB Board</p>

* Please follow drawing of Approved Sheet that catalog drawing only for reference.

TSSH-V Series

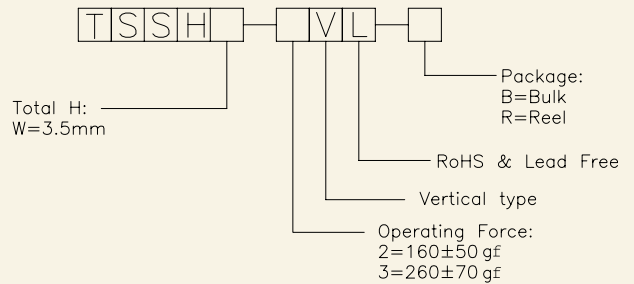
4.6 × 1.8 Side Push Tact Switch



Tact Switch (Side Push)



How to order



Features

- Improve mounting density of components on PC board.
- Reflow solderable.
- Contacts are completely sealed, enhancing reliability.
- Packaged with a 12mm wide embossed taping.

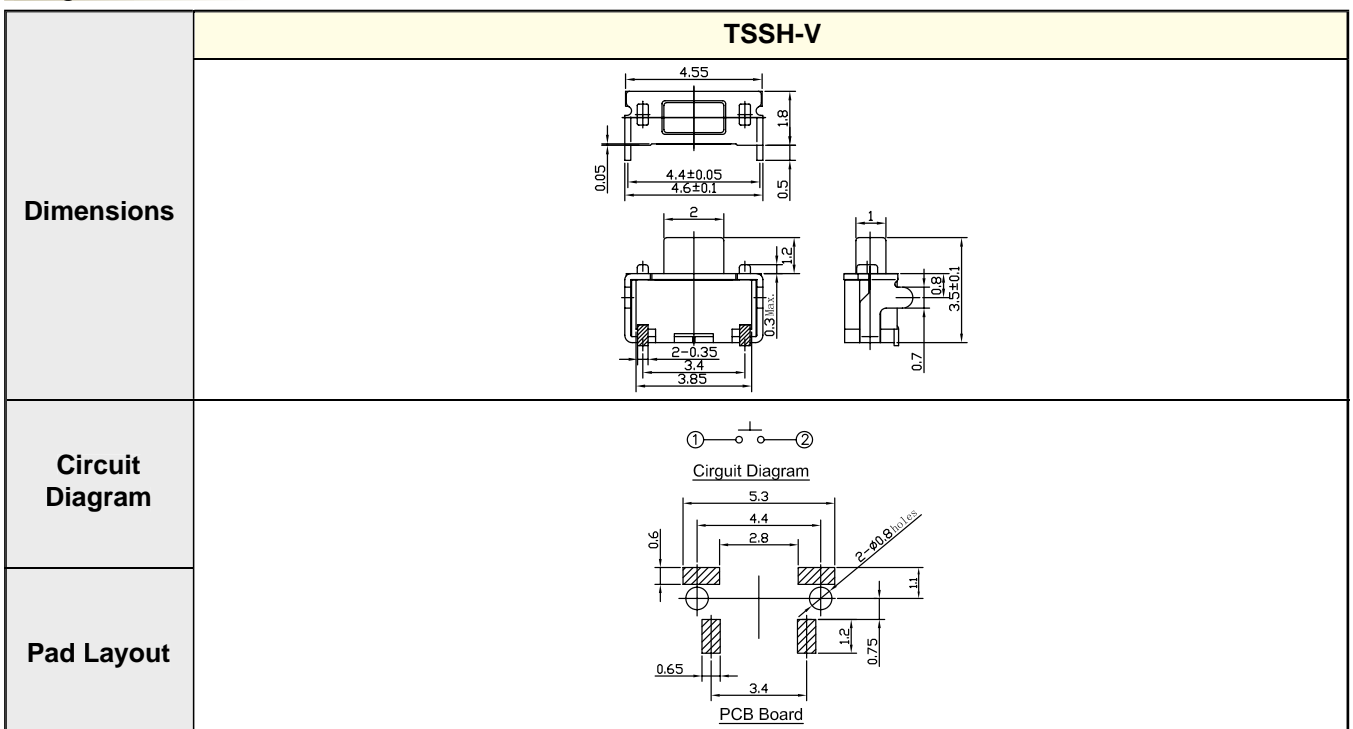
Applications

- For operating various mobile devices.
- For operating various devices that require high density mounting such as mobile phones, communication devices, compact electronic devices.

Specification

Items		Standard
Operating temperature range		- 20 to +70
Electrical performance	Rating	50mA, 12V DC
	Insulation resistance	100MΩ min. 100V DC
	Dielectric strength	250V AC for 1 min.
	Contact resistance	100mΩ max.
Durability	Lifetime	30,000 Cycles, 50,000 Cycles
Mechanical performance	Operating force	2:160 ± 50gf, 3:260 ± 70gf
	Travel	0.25 ± 0.1mm

Diagram



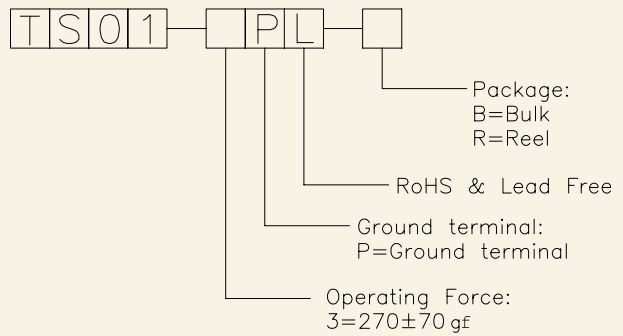
* Please follow drawing of Approved Sheet that catalog drawing only for reference.

TS01 Series

6.0 × 6.0 SMD Tact Switch



How to order



Features

- Improve mounting density of components on PC board.
- Reflow solderable.
- Contacts are completely sealed, enhancing reliability.
- Packaged with a 12mm wide embossed taping.

Applications

- For operating various mobile devices.
- For operating various devices that require high density mounting such as mobile phones, communication devices, compact electronic devices.

Specification

Items		Standard
Operating temperature range		- 20 to +70
Electrical performance	Rating	50mA, 12V DC
	Insulation resistance	100MΩ min. 100V DC
	Dielectric strength	250V AC for 1 min.
	Contact resistance	100mΩ max.
Durability	Lifetime	30,000 Cycles, 50,000 Cycles
Mechanical performance	Operating force	3:270 ± 70gf
	Travel	0.30 ± 0.1mm

Diagram

TS01	
Dimensions	
Circuit Diagram	<p style="text-align: center;">Circuit Diagram</p>
Pad Layout	<p style="text-align: center;">PCB Board</p>

* Please follow drawing of Approved Sheet that catalog drawing only for reference.

TSV-S Series

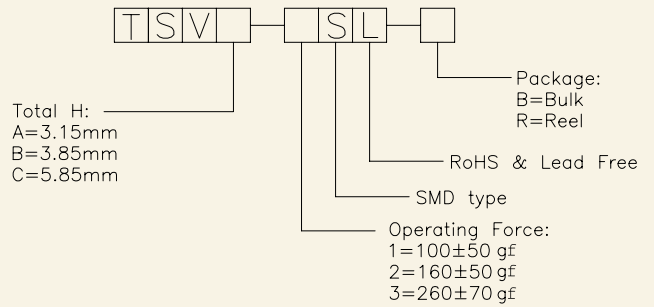
6.0 × 6.0 SMD Tact Switch



Tact Switch (Side Push)



How to order



Features

- Improve mounting density of components on PC board.
- Reflow solderable.
- Contacts are completely sealed, enhancing reliability.
- Packaged with a 12mm wide embossed taping.

Applications

- For operating various mobile devices.
- For operating various devices that require high density mounting such as mobile phones, communication devices, compact electronic devices.

Specification

Items		Standard
Operating temperature range		- 20 to +70
Electrical performance	Rating	50mA, 12V DC
	Insulation resistance	100MΩ min. 100V DC
	Dielectric strength	250V AC for 1 min.
	Contact resistance	100mΩ max.
Durability	Lifetime	50,000 Cycles, 100,000 Cycles
Mechanical performance	Operating force	1:100 ± 50gf, 2:160 ± 50gf, 3:260 ± 70gf
	Travel	0.25 ± 0.1mm

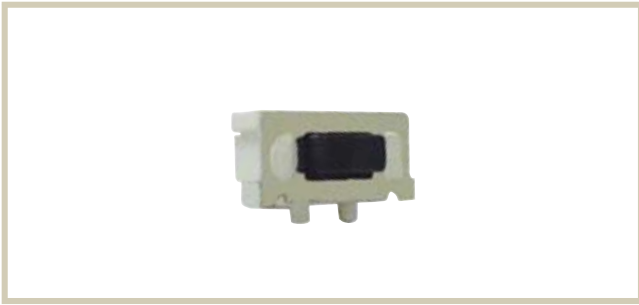
Diagram

Dimensions	TSV-S
	 Circuit Diagram
	 PCB Board
Circuit Diagram	
Pad Layout	

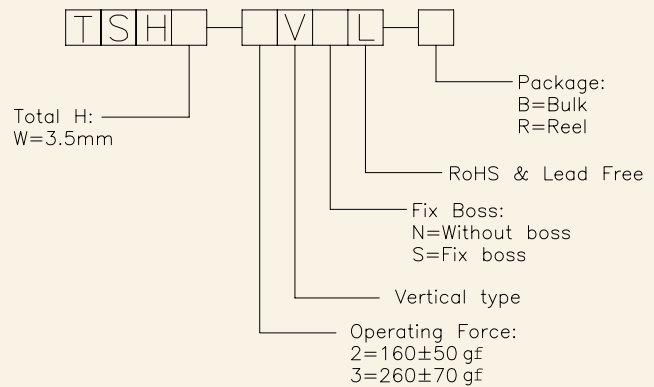
* Please follow drawing of Approved Sheet that catalog drawing only for reference.

TSH-VS Series

7.0 x 3.5 Side Push Tact Switch



How to order



Features

Vertical type capable of operating in the vertical direction to the PC board.
 Reflow solderable.
 Packaged with a 16mm wide embossed taping.

Applications

Various portable electronic devices.
 For operating various compact electronic devices such as mobile phones and communication devices, that require high density mounting.
 For operating various MP4, MP3.

Specification

Items		Standard
Operating temperature range		- 20 to +70
Electrical performance	Rating	50mA, 12V DC
	Insulation resistance	100MΩ min. 100V DC
	Dielectric strength	250V AC for 1 min.
	Contact resistance	100mΩ max.
Durability	Lifetime	30,000 Cycles, 50,000 Cycles
Mechanical performance	Operating force	2:160 ± 50gf, 3:260 ± 70gf
	Travel	0.25 ± 0.1mm

Diagram

	TSH-VS	TSH-VN												
Dimensions	<table border="1"> <caption>The length Tolerance range</caption> <tr><td>L<10</td><td>±0.3</td></tr> <tr><td>10<L<100</td><td>±0.5</td></tr> <tr><td>100<L</td><td>±0.6</td></tr> </table>	L<10	±0.3	10<L<100	±0.5	100<L	±0.6	<table border="1"> <caption>The length Tolerance range</caption> <tr><td>L<10</td><td>±0.3</td></tr> <tr><td>10<L<100</td><td>±0.5</td></tr> <tr><td>100<L</td><td>±0.6</td></tr> </table>	L<10	±0.3	10<L<100	±0.5	100<L	±0.6
L<10	±0.3													
10<L<100	±0.5													
100<L	±0.6													
L<10	±0.3													
10<L<100	±0.5													
100<L	±0.6													
Circuit Diagram	<p>Circuit Diagram</p>	<p>Circuit Diagram</p>												
Pad Layout	<p>PCB Board</p>	<p>PCB Board</p>												

* Please follow drawing of Approved Sheet that catalog drawing only for reference.

TSV Series

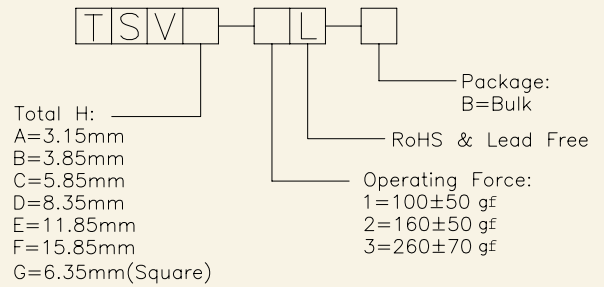
6.0 × 6.0 Side Push Tact Switch



Tact Switch (Side Push)



How to order



Features

Snap-in type, which can be directly mounted on PC board.
 Some of output terminals can be also used as jumper leads, thus making circuit design easy.
 Available with anti-ESD ground terminal.
 Standard knobs are available.

Applications

Operating switches in all types of electronic equipment such as audio devices, office devices, communication devices, measuring instruments, TVs, video recorders, automotive sets, etc.

Specification

Items		Standard
Operating temperature range		- 20 to +70
Electrical performance	Rating	50mA, 12V DC
	Insulation resistance	100MΩ min. 100V DC
	Dielectric strength	250V AC for 1 min.
	Contact resistance	100mΩ max.
Durability	Lifetime	50,000 Cycles, 100,000 Cycles
Mechanical performance	Operating force	1:100 ± 50gf, 2:160 ± 50gf, 3:260 ± 70gf
	Travel	0.25 ± 0.1mm

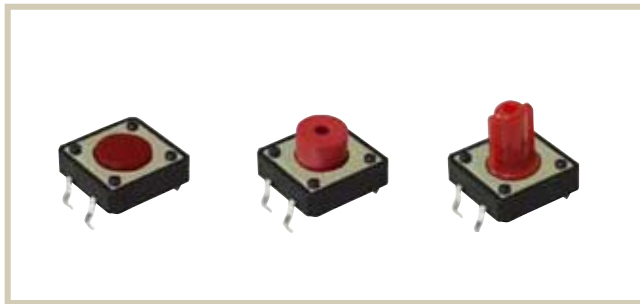
Diagram

	TSVA~F	TSV-G
Dimensions		
Circuit Diagram	<p>Circuit Diagram</p>	<p>Circuit Diagram</p>
Pad Layout	<p>PCB Board</p>	<p>PCB Board</p>

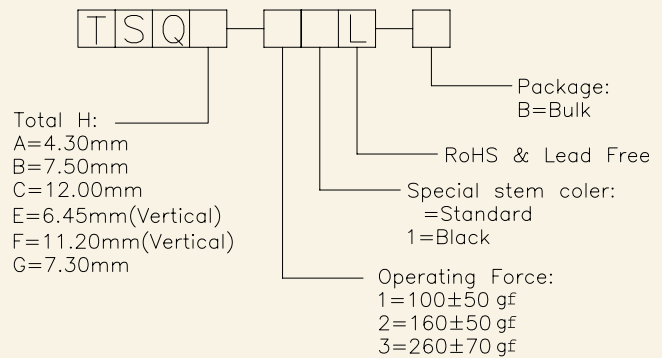
* Please follow drawing of Approved Sheet that catalog drawing only for reference.

TSQ Series

12.0 x 12.0 Other Types Stem With Stable Operation Feeing Tact Switch



How to order



Tact Switch

Features

Snap-in type, which can be directly mounted on PC board.
 Some of output terminals can be also used as jumper leads, thus making circuit design easy.
 Standard knobs are available.
 SMT Type Available.

Applications

Operating switches in all types of electronic equipment such as audio devices, office devices, communication devices, measuring instruments, TVs, video recorders, automotive sets, etc.

Specification

Items		Standard
Operating temperature range		- 20 to +70
Electrical performance	Rating	50mA, 12V DC
	Insulation resistance	100MΩ min. 100V DC
	Dielectric strength	250V AC for 1 min.
	Contact resistance	100mΩ max.
Durability	Lifetime	50,000 Cycles, 100,000 Cycles,
Mechanical performance	Operating force	1:100 ± 50gf, 2:160 ± 50gf, 3:260 ± 70gf
	Travel	0.30 ± 0.15mm

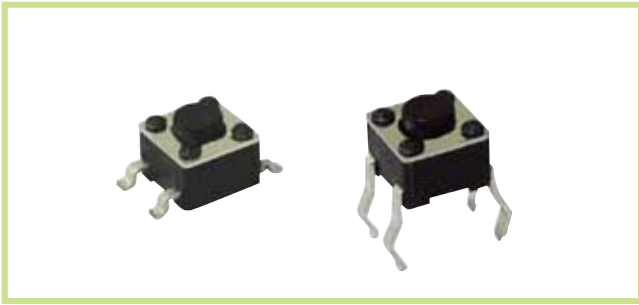
Diagram

	TSQA	TSQB	TSQC
Dimensions			
Circuit Diagram			
Pad Layout			

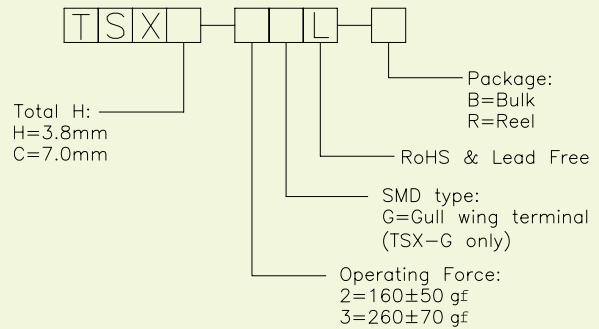
* Please follow drawing of Approved Sheet that catalog drawing only for reference.

TSX Series

4.5 × 4.5 Through Hole & SMD Tact Switch



How to order



Features

Snap-in type, which can be directly mounted on PC board.
Some of output terminals can be also used as jumper leads, thus making circuit design easy.
Standard knobs are available.

Applications

Operating switches in all types of electronic equipment such as audio devices, office devices, communication devices, measuring instruments, TVs, video recorders, automotive sets, etc.

Specification

Items		Standard
Operating temperature range		- 20 to +70
Electrical performance	Rating	50mA, 12V DC
	Insulation resistance	100MΩ min. 100V DC
	Dielectric strength	250V AC for 1 min.
	Contact resistance	100mΩ max.
Durability	Lifetime	50,000 Cycles, 100,000 Cycles
Mechanical performance	Operating force	2:160 ± 50gf, 3:260 ± 70gf
	Travel	0.25 ± 0.1mm

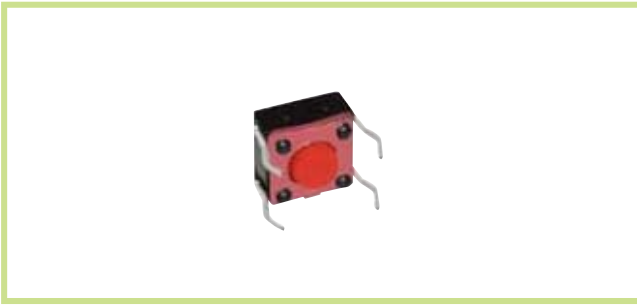
Diagram

	TSX-G	TSX
Dimensions		
Circuit Diagram	<p>Circuit Diagram</p>	<p>Circuit Diagram</p>
Pad Layout	<p>PCB Board</p>	<p>PCB Board</p>

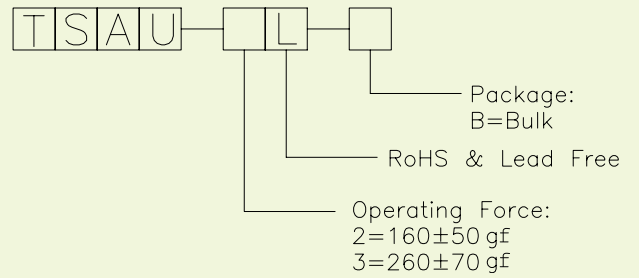
* Please follow drawing of Approved Sheet that catalog drawing only for reference.

TSAU Series

6.8 × 6.8 Sealed Tact Switch



How to order



Features

Some of output terminals can be also used as jumper leads, thus making circuit design easy.
This switch is assembling from the P.C. board bottom of surface insert, the movement part in the frontage, which is suitable to switch's highly lowest environment.

Applications

Operating switches in all types of electronic equipment such as audio devices, office devices, communication devices, measuring instruments, TVs, video recorders, automotive sets, etc.

Specification

Items		Standard
Operating temperature range		- 20 to +70
Electrical performance	Rating	50mA, 12V DC
	Insulation resistance	100MΩ min. 100V DC
	Dielectric strength	250V AC for 1 min.
	Contact resistance	100mΩ max.
Durability	Lifetime	50,000 Cycles, 100,000 Cycles
Mechanical performance	Operating force	2:160 ± 50gf, 3:260 ± 70gf
	Travel	0.25 ± 0.1mm

Diagram

TSAU	
Dimensions	
Circuit Diagram	<p>Circuit Diagram</p>
Pad Layout	<p>PCB Board</p>

* Please follow drawing of Approved Sheet that catalog drawing only for reference.

TSS Series

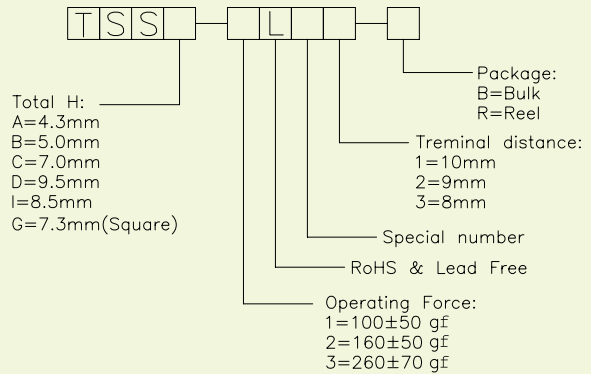
6.0 × 6.0 Surface Mounting Tact Switch



Features

Reflow solderable.
Packaged with a 16mm wide embossed taping.

How to order



Applications

Operating switches in all types of electronic equipment such as audio devices, office devices, communication devices, measuring instruments, TVs, video recorders, automotive sets, etc.

Specification

Items		Standard
Operating temperature range		- 20 to +70
Electrical performance	Rating	50mA, 12V DC
	Insulation resistance	100MΩ min. 100V DC
	Dielectric strength	250V AC for 1 min.
	Contact resistance	100mΩ max.
Durability	Lifetime	50,000 Cycles, 100,000 Cycles
Mechanical performance	Operating force	2:160 ± 50gf, 3:260 ± 70gf
	Travel	0.25 ± 0.1mm

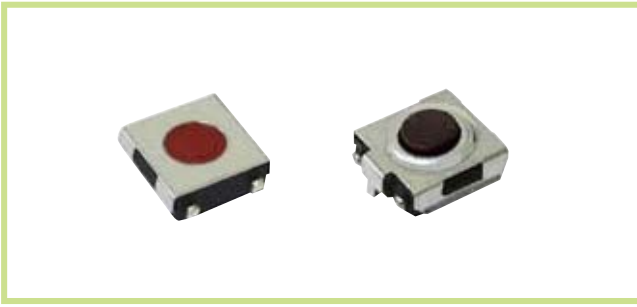
Diagram

	TSSA~D&I	TSS-G																																																
Dimensions	<table border="1"> <thead> <tr> <th>規格</th> <th>1</th> <th>2</th> <th>3</th> </tr> </thead> <tbody> <tr> <td>10.0mm</td> <td>9.0mm</td> <td>8.0mm</td> <td></td> </tr> <tr> <td>A</td> <td>10</td> <td>9.0</td> <td>8.0</td> </tr> <tr> <td>B</td> <td>8.4</td> <td>7.4</td> <td>6.4</td> </tr> <tr> <td>C</td> <td>10.4</td> <td>9.4</td> <td>8.4</td> </tr> <tr> <td>D</td> <td>8.0</td> <td>7.0</td> <td>6.0</td> </tr> </tbody> </table>	規格	1	2	3	10.0mm	9.0mm	8.0mm		A	10	9.0	8.0	B	8.4	7.4	6.4	C	10.4	9.4	8.4	D	8.0	7.0	6.0	<table border="1"> <thead> <tr> <th>規格</th> <th>1</th> <th>2</th> <th>3</th> </tr> </thead> <tbody> <tr> <td>10.0mm</td> <td>9.0mm</td> <td>8.0mm</td> <td></td> </tr> <tr> <td>A</td> <td>10</td> <td>9.0</td> <td>8.0</td> </tr> <tr> <td>B</td> <td>8.4</td> <td>7.4</td> <td>6.4</td> </tr> <tr> <td>C</td> <td>10.4</td> <td>9.4</td> <td>8.4</td> </tr> <tr> <td>D</td> <td>8.0</td> <td>7.0</td> <td>6.0</td> </tr> </tbody> </table>	規格	1	2	3	10.0mm	9.0mm	8.0mm		A	10	9.0	8.0	B	8.4	7.4	6.4	C	10.4	9.4	8.4	D	8.0	7.0	6.0
規格	1	2	3																																															
10.0mm	9.0mm	8.0mm																																																
A	10	9.0	8.0																																															
B	8.4	7.4	6.4																																															
C	10.4	9.4	8.4																																															
D	8.0	7.0	6.0																																															
規格	1	2	3																																															
10.0mm	9.0mm	8.0mm																																																
A	10	9.0	8.0																																															
B	8.4	7.4	6.4																																															
C	10.4	9.4	8.4																																															
D	8.0	7.0	6.0																																															
Circuit Diagram	<p>Circuit Diagram</p>	<p>Circuit Diagram</p>																																																
Pad Layout	<p>PCB Board</p>	<p>PCB Board</p>																																																

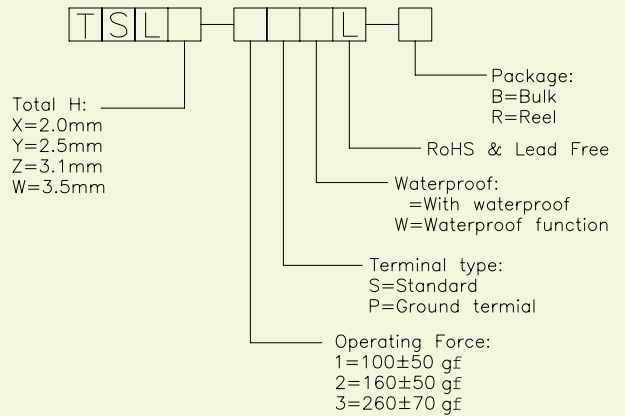
* Please follow drawing of Approved Sheet that catalog drawing only for reference.

TSL Series

6.2 x 6.2 Flat & U-Type Terminals Type Tact Switch



How to order



Features

- Reflow solderable.
- Available with anti-ESD ground terminal.
- Packaged with a 16mm wide embossed taping.

Applications

Operating switches in all types of electronic equipment such as audio devices, office devices, communication devices, measuring instruments, TVs, video recorders, automotive sets, etc.

Specification

Items		Standard
Operating temperature range		- 20 to +70
Electrical performance	Rating	50mA, 12V DC
	Insulation resistance	100MΩ min. 100V DC
	Dielectric strength	250V AC for 1 min.
	Contact resistance	100mΩ max.
Durability	Lifetime	50,000 Cycles, 100,000 Cycles
Mechanical performance	Operating force	2:160 ± 50gf, 3:260 ± 70gf
	Travel	0.25 ± 0.1mm

Diagram

	TSL-S	TSL-P	TSL-SW	TSL-PW
Dimensions				
Circuit Diagram				
Pad Layout				

* Please follow drawing of Approved Sheet that catalog drawing only for reference.