

DC-AC INVERTER UNIT

PS-M06D12S5-NJ1L-107(S) (6,5 W DUAL OUTPUTS)

(PRELIMINARY INFORMATION)

DESCRIPTION :

This low profile DC to AC Inverter is developed for dual lamps.

Optimized for Sharp :LQ104V1DG61

APPLICABLE LCD:

- 6.4 to 12 inches double lamp type
- Lamp Voltage 466 Vrms
- Lamp Current 6 mArms
- Lamp Start Up Voltage 1.500 Vrms (Vin : 12 Vdc)



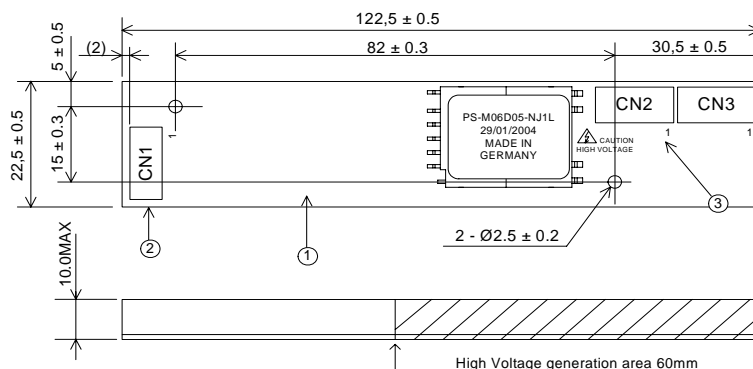
FEATURES :

- Remote ON/OFF
- Ext. PWM Dimming Function
- RoHS complian (S)

TEMPERATURE & HUMDITY :

- Operating Temperature Range -30°C ~ +70°C
- Storage Temperature Range -40°C ~ +85°C
- Humidity 95 %RH max

DIMENSIONS :



Unit : mm
Weight :20 (g) typ.

Note: Please use plastic screw in case of a non-insulating mounting base!

Components

No.	Part Discription	Qty.	Material	Note
1	PCB	1	UL94V-0 (FR-4 or CEM-3)	t=1.6mm
2	Connector CN1	1	SM02(8.0)B-BHS	JST or equal
3	Connector CN2	1	SM02(8.0)B-BHS	JST or equal

Input side CN1:

Pin No.	Symbols	Ratings
CN 1-1	Vin	12 Vdc
CN 1-2	GND	
CN 1-3	Ext. PWM	0 ~ 5 Vdc (L activ)
CN 1-4	N.C.	
CN 1-5	Vrmt	0 / 5 Vdc (H activ)

Output side CN2 + CN3:

Pin No.	Symbols	Ratings
CN 2 + 3-1	VHIGH2	466Vrms (6.0 mArms)
CN 2 + 3-2	N.C.	-
CN 2 + 3-3	VLOW	0Vdc

Power Systems – The Power Solution

Web: www.Power-Systems.de
Email: Info@Power-Systems.de

Address: Dörnet 8 ; 74360 Ilsfeld-Auenstein / Germany
Tel. : + 49 / 70 62 / 67 59 - 6
Fax: + 49 / 70 62 / 67 59 - 800

DC-AC INVERTER UNIT

PS-M06D12S5-NJ1L-107(S) (6,5 W DUAL OUTPUTS)

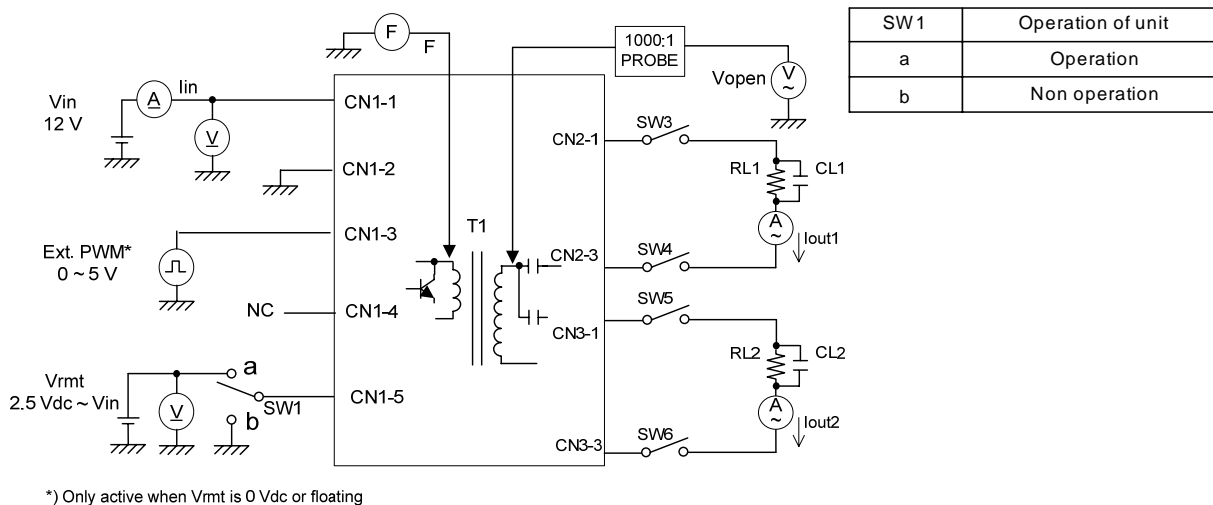
(PRELIMINARY INFORMATION)

ELECTRICAL CHARACTERISTICS :

Symbols	Conditions			Specification			Unit	Note
	Vin (V)	Vrmt (V)	Tu (°C)	Min.	Typ.	Max.		
Iout	12±0.12	5±0.25	-30 ~ +70	5.5	6.0	6.5	mArms	Duty 100%
Iout	12±1.2	5±0.25	-30 ~ +70	5.0	6.0	7.0	mArms	
Iin	12±1.2	5±0.25	-30 ~ +70	-	0.7	1.2	Adc	
F	12±1.2	5±0.25	-30 ~ +70	45	55	65	kHz	
Vopen	11,4	5±0.25	-30 ~ +70	1.500	-	-	Vrms	

- Note 1 : Please keep minimum of 2mm clearance (all directions) between inverter high voltage area as marked on mechanical drawing and any conductors.
- Note 2: Remote ON/OFF (CN1-5) has priority and can not be used in combination with External PWM Dimming (CN1-3). When 'Ext.PWM' (CN1-3) is used 'Vrmt' (CN1-5) should not be connected.
- Note 3: The external PWM frequency should be in a range of 100 ~ 500 Hz. For other frequency please request. The optimum is 250 Hz. Here you will normally not get a interference to the vertical sync. frequency.

TEST CIRCUIT :



Power Systems – The Power Solution

Web: www.Power-Systems.de
 Email: Info@Power-Systems.de

Address: Dörnet 8 ; 74360 Ilsfeld-Auenstein / Germany
 Tel. : + 49 / 70 62 / 67 59 - 6
 Fax: + 49 / 70 62 / 67 59 - 800