

FEATURES

- $R_{DS(ON)} < 4.4\Omega$ @ $V_{GS}=10V, I_D=1A$
- Fast switching capability
- Lead free in compliance with EU RoHS directive.
- Improved dv/dt capability, high ruggedness

MECHANICAL DATA

- Case: TO-220, ITO-220, TO-251, TO-252, TO-262, TO-263 Package

Ordering Information

Part No.	Package	Packing
2N60-TU	TO-220	50pcs / Tube
2N60F-TU	ITO-220	50pcs / Tube
2N60E-TU	TO-262	50pcs / Tube
2N60D-TU	TO-263	50pcs / Tube
2N60D-TR	TO-263	800pcs / 13"Reel
2N60N-TU	TO-251	75pcs / Tube
2N60M-TU	TO-252	75pcs / Tube
2N60M-TR	TO-252	2.5Kpcs / 13"Reel

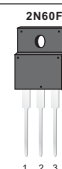
PRODUCT SUMMARY

V_{DS} (V)	$R_{DS(on)}$ (Ω)	I_D (A)
600	4.4 @ $V_{GS}=10V$	2

TO-220AB



ITO-220AB



TO-263



TO-262



TO-251



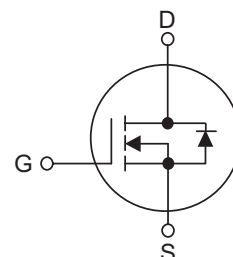
TO-252



Block Diagram

Pin Definition:

1. Gate
2. Drain
3. Source



ABSOLUTE MAXIMUM RATINGS ($T_C=25\text{ C}$, unless otherwise specified)

PARAMETER	SYMBOL	RATINGS	UNIT
Drain-Source Voltage	V_{DSS}	600	V
Gate-Source Voltage	V_{GSS}	3 0	V
Continuous Drain Current	I_D	2.0	A
Pulsed Drain Current (Note 2)	I_{DM}	8.0	A
Avalanche Energy	E_{AS}	115	mJ
Power Dissipation	TO-220/TO-263/TO-262	44	W
	ITO-220	23	
	TO-251/TO-252	34	
Junction Temperature	T_J	+150	C
Storage Temperature	T_{STG}	-55 ~ +150	C

Notes: 1. Absolute maximum ratings are those values beyond which the device could be permanently damaged.

Absolute maximum ratings are stress ratings only and functional device operation is not implied.

2. Repetitive Rating : Pulse width limited by maximum junction temperature

3. $L=30\text{mH}$, $I_{AS}=2.7\text{A}$, $V_{DD}=50\text{V}$, $R_G=25\Omega$, Starting $T_J=25\text{ C}$

2N60

600V N-Channel Power MOSFET

THERMAL DATA

PARAMETER		SYMBOL	RATING	UNIT
Junction to Ambient	TO-220/ITO-220 TO-262/TO-263	θ_{JA}	62.5	C/W
	TO-251/TO-252		110	
	TO-220/TO-263/TO-262		2.35	
Junction to Case	ITO-220	θ_{JC}	5.5	C/W
	TO-251/TO-252		2.9	

ELECTRICAL CHARACTERISTICS (T_C=25 C, unless otherwise specified)

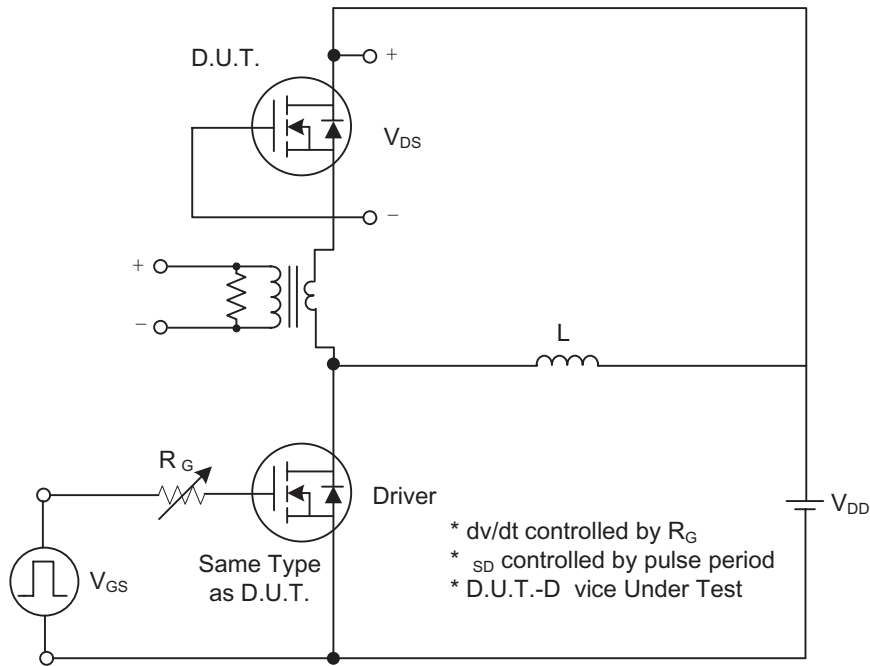
PARAMETER		SYMBOL	TEST CONDITIONS	MIN	TYP	MAX	UNIT	
OFF CHARACTERISTICS								
Drain-Source Breakdown Voltage		BV _{DSS}	V _{GS} =0V, I _D =250μA	600			V	
Drain-Source Leakage Current		I _{DSS}	V _{DS} =600V, V _{GS} =0V			10	μA	
Gate- Source Leakage Current	Forward	I _{GSS}	V _G =30V, V _{DS} =0V			100	nA	
	Reverse		V _G =-30V, V _{DS} =0V			-100	nA	
ON CHARACTERISTICS								
Gate Threshold Voltage		V _{GS(TH)}	V _{DS} =V _{GS} , I _D =250μA	2.0		4.0	V	
Static Drain-Source On-State Resistance		R _{DS(ON)}	V _{GS} =10V, I _D =1.0A		4	4.4	Ω	
DYNAMIC CHARACTERISTICS								
Input Capacitance		C _{ISS}	V _{DS} =25V, V _{GS} =0V, f=1MHz		300		pF	
Output Capacitance		C _{OSS}				45		pF
Reverse Transfer Capacitance		C _{RSS}				2		pF
SWITCHING CHARACTERISTICS								
Turn-On Delay Time		t _{D(ON)}	V _{DD} =300V, I _D =2A, R _G =25Ω (Note 1, 2)		10		ns	
Turn-On Rise Time		t _R			25		ns	
Turn-Off Delay Time		t _{D(OFF)}			20		ns	
Turn-Off Fall Time		t _F			25		ns	
Total Gate Charge		Q _G			5.7		nC	
Gate-Source Charge		Q _{GS}	V _{DS} =480V, I _D =2.4A, V _{GS} =10V (Note 1, 2)		1.8		nC	
Gate-Drain Charge		Q _{GD}			2		nC	
DRAIN-SOURCE DIODE CHARACTERISTICS AND MAXIMUM RATINGS								
Drain-Source Diode Forward Voltage		V _{SD}	V _{GS} =0V, I _S =2.0A			1.4	V	
Maximum Continuous Drain-Source Diode Forward Current		I _S				2.0	A	
Maximum Pulsed Drain-Source Diode Forward Current		I _{SM}				8.0	A	
Reverse Recovery Time		t _{rr}	V _{GS} =0V, I _S =2A		357		ns	
Reverse Recovery Charge		Q _{RR}	di/dt=100A/μs (Note 1)		2		μC	

- Notes: 1. Pulse Test: Pulse width ≤300μs, Duty cycle ≤2%.
2. Essentially independent of operating temperature.

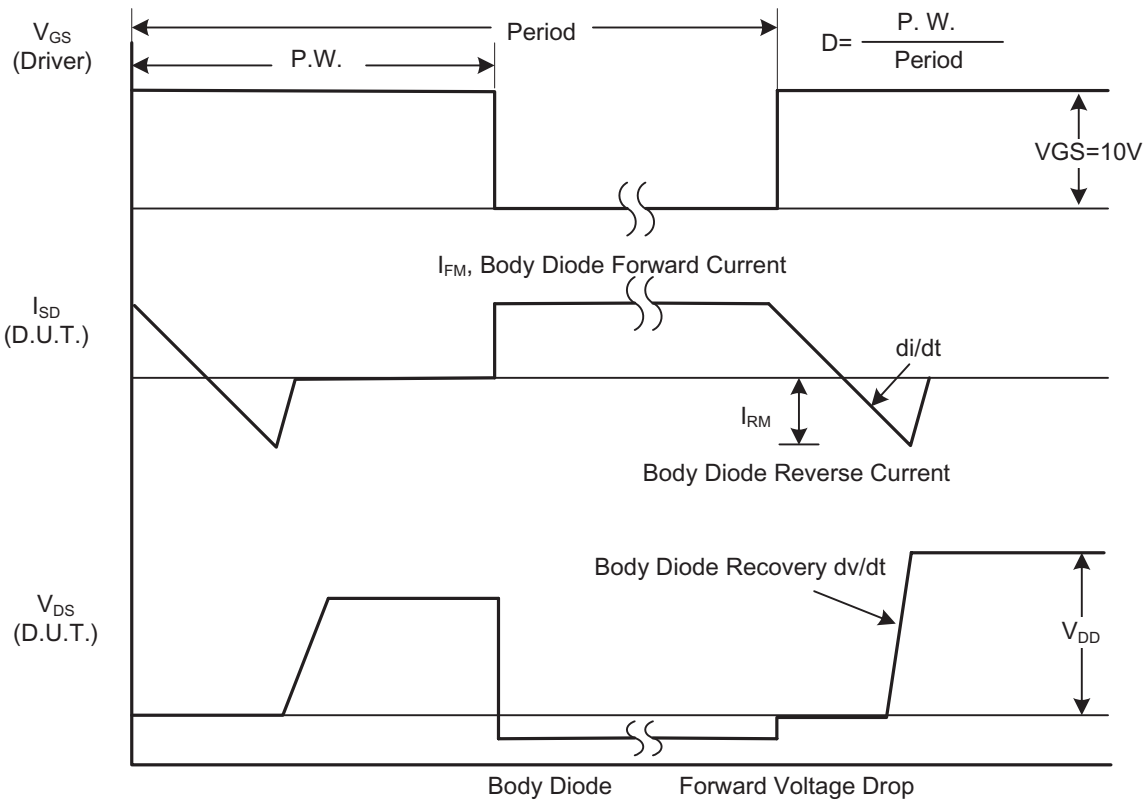
2N60

600V N-Channel Power MOSFET

TEST CIRCUITS AND WAVEFORMS



Peak Diode Recovery dv/dt Test Circuit

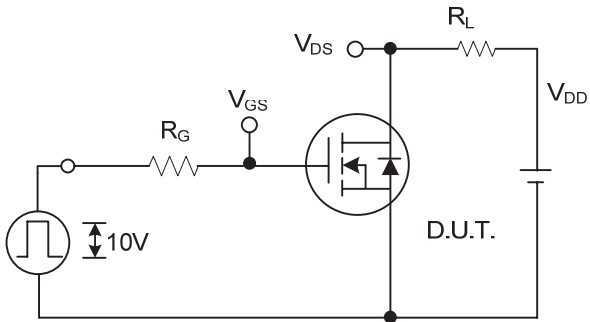


Peak Diode Recovery dv/dt Waveforms

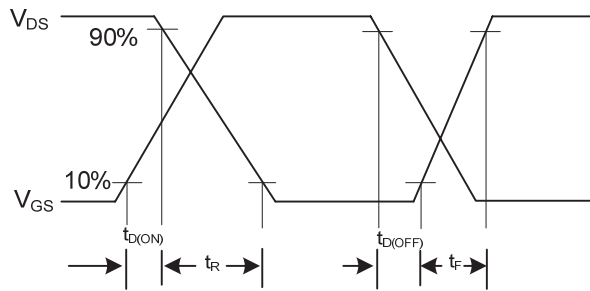
2N60

600V N-Channel Power MOSFET

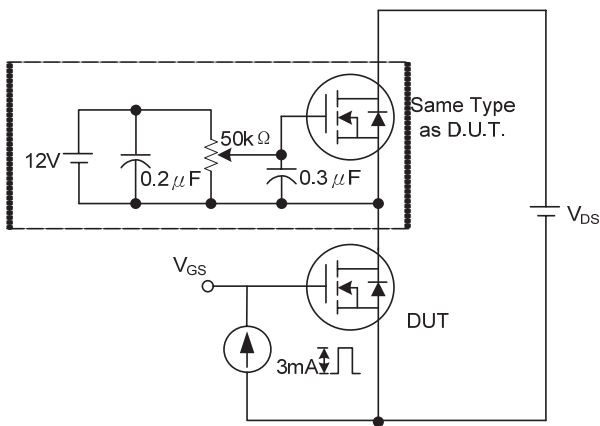
TEST CIRCUITS AND WAVEFORMS(Cont.)



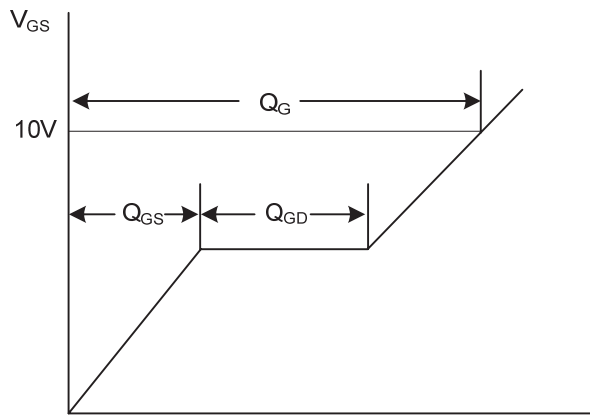
Switching Test Circuit



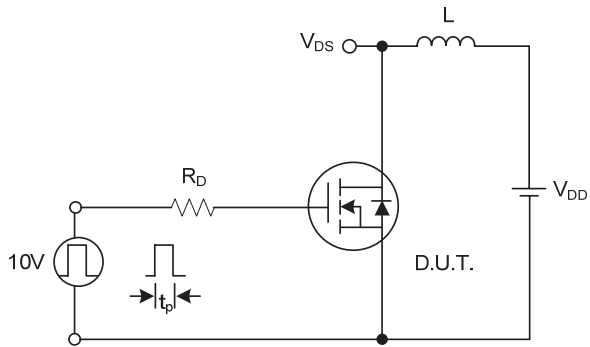
Switching Waveforms



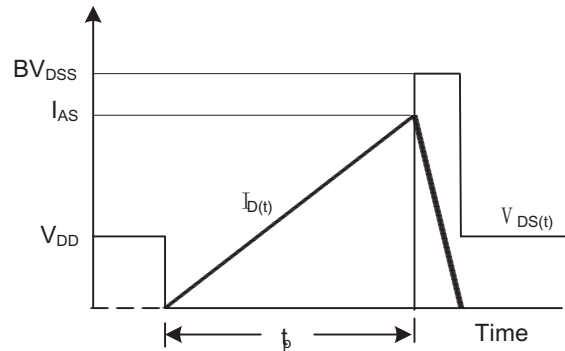
Gate Charge Test Circuit



Charge
Gate Charge Waveform



Unclamped Inductive Switching Test Circuit

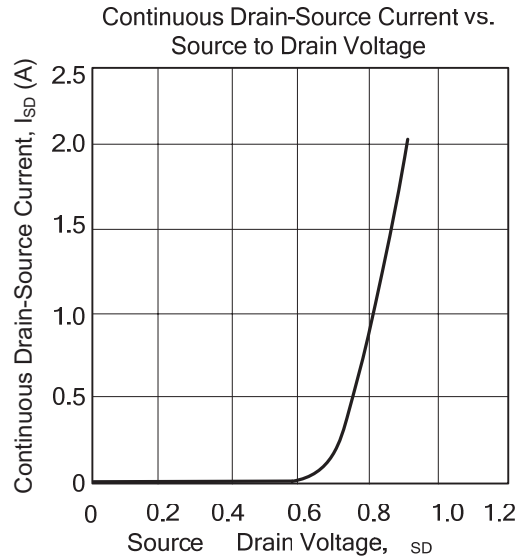
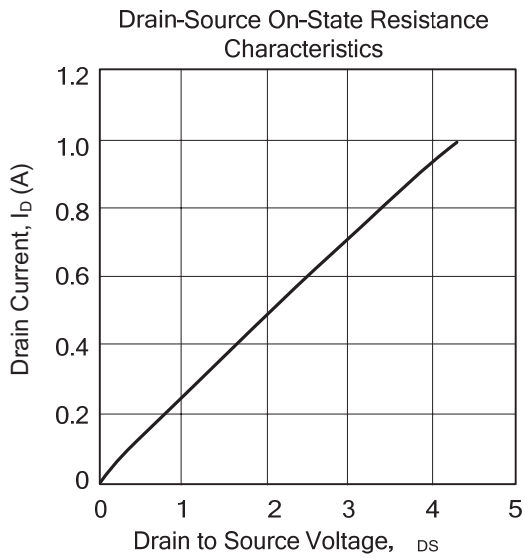
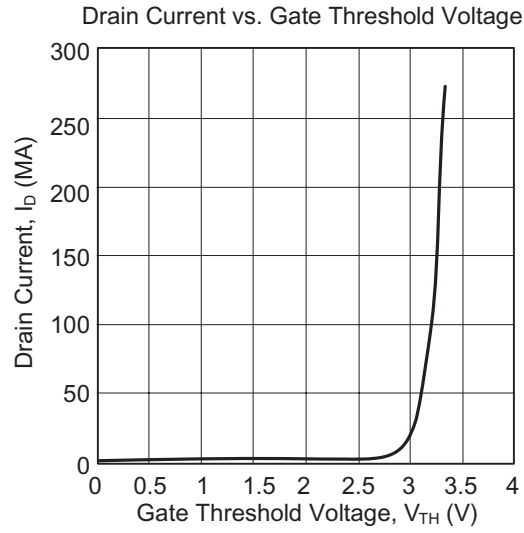
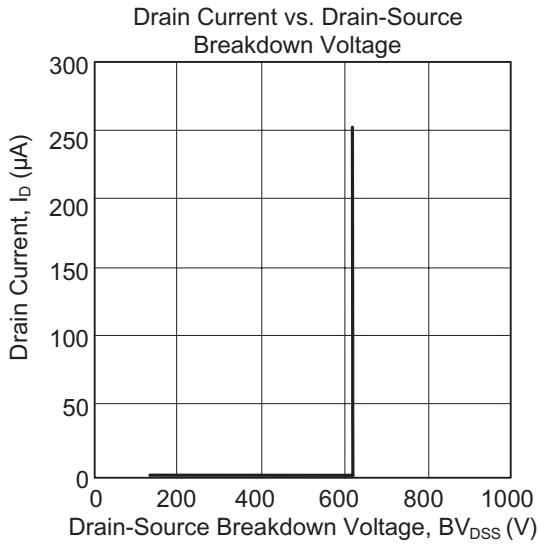


Unclamped Inductive Switching Waveforms

2N60

600V N-Channel Power MOSFET

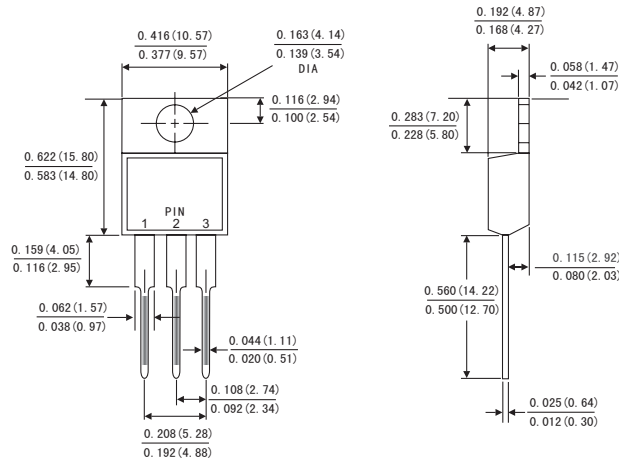
TYPICAL CHARACTERISTICS



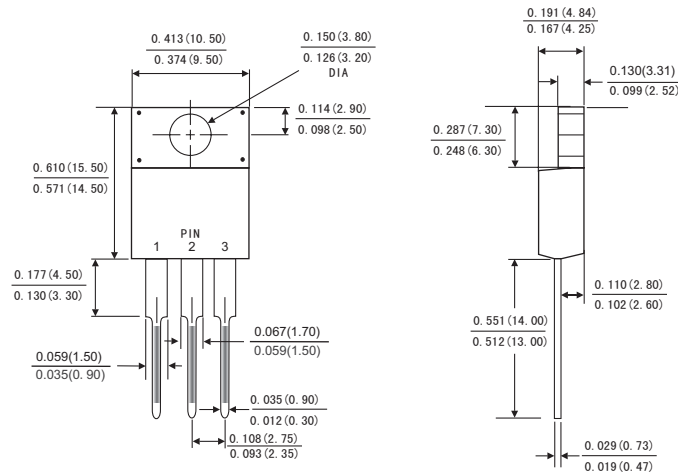
2N60

600V N-Channel Power MOSFET

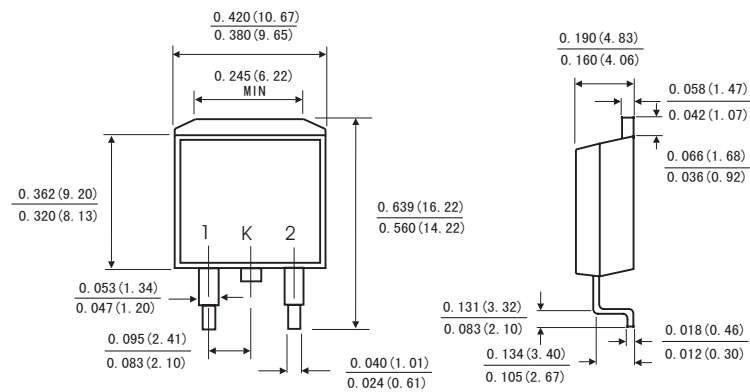
TO-220AB



ITO-220AB



TO-263



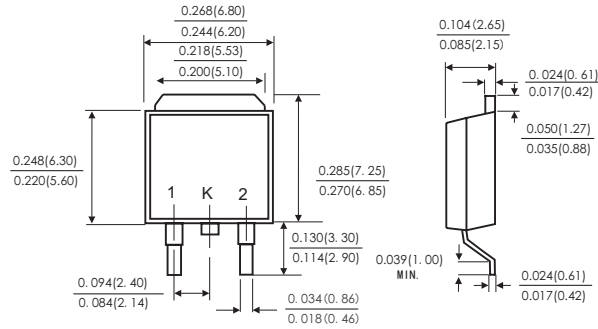
Dimensions in inches and (millimeters)

2N60

600V N-Channel Power MOSFET

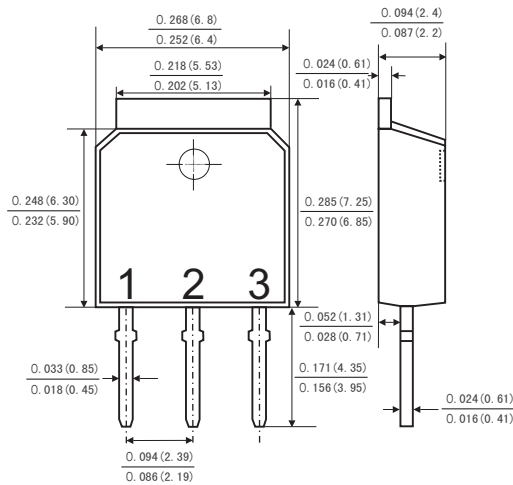
TO-252

(DPAK)



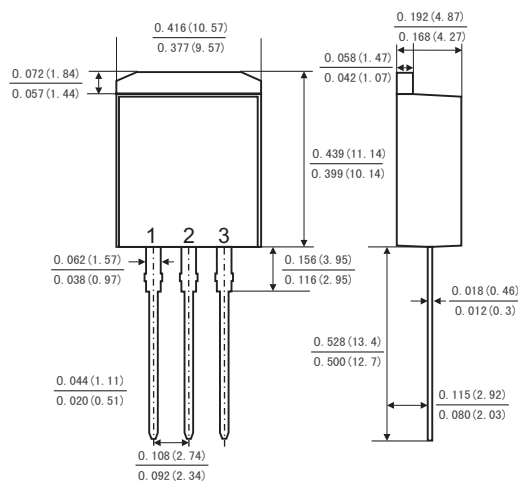
Dimensions in inches and (millimeters)

TO-251



Dimensions in inches and (millimeters)

TO-262



Dimensions in inches and (millimeters)