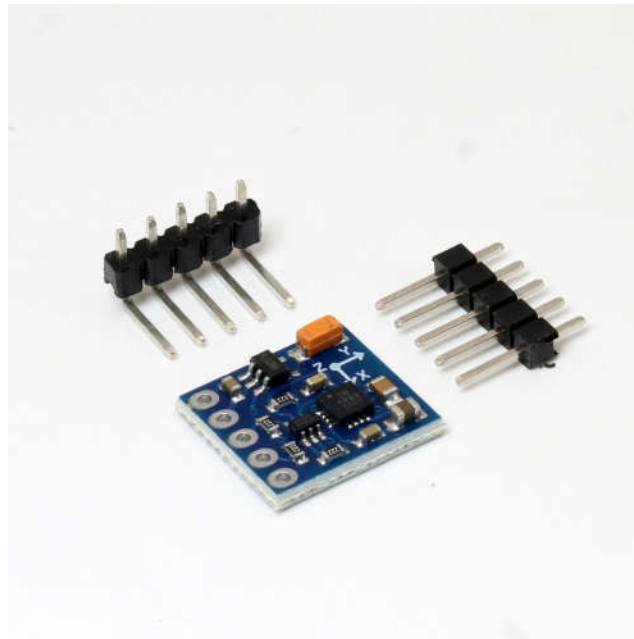
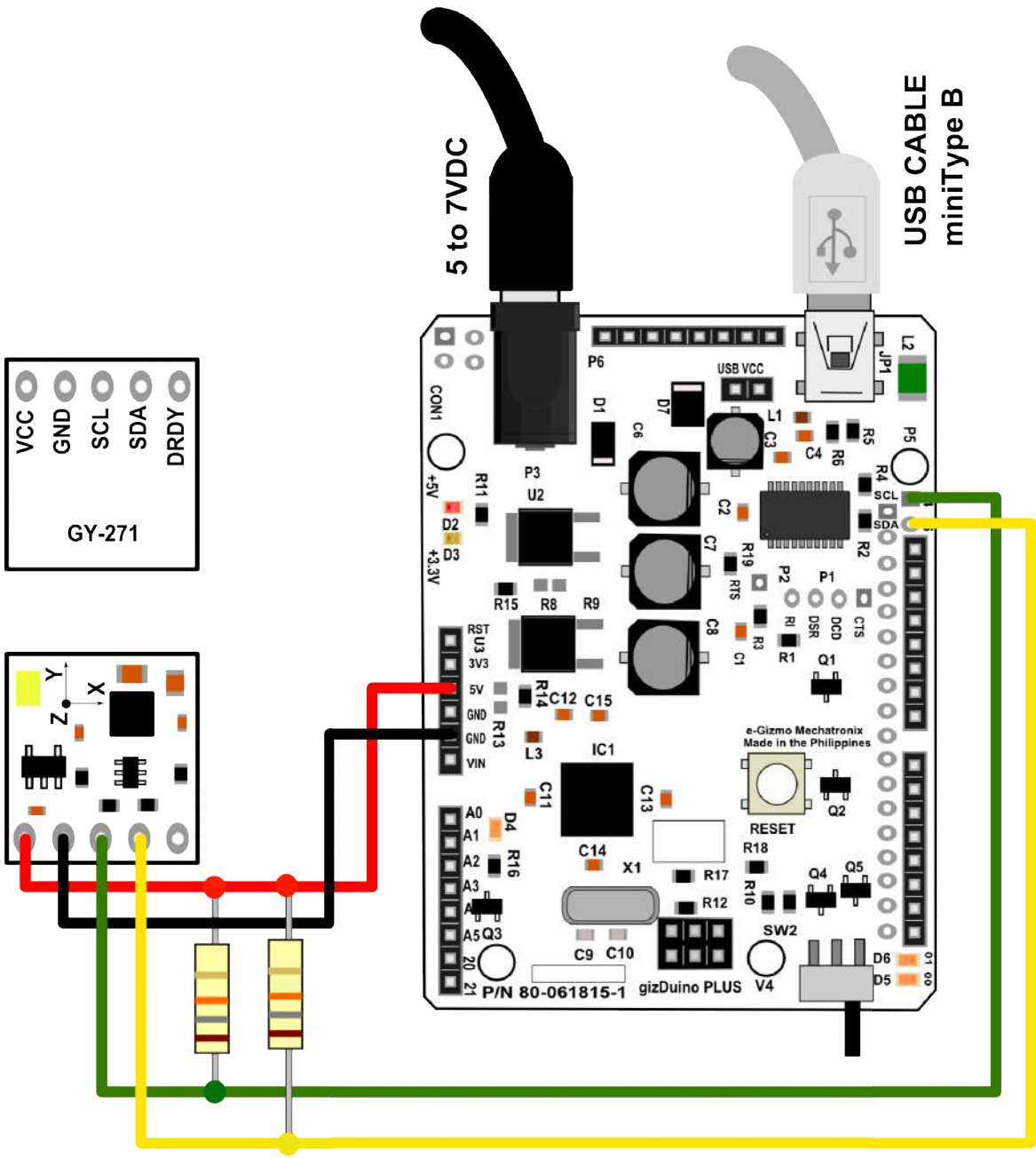


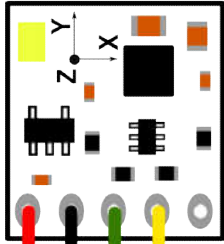
QMC5883L-GY-271-Compass-module



3-Axis Magnetic Sensor QMC5883L is a multi-chip 3-axis magnetic sensor. Targeted for high precision applications such as compassing, navigation and gaming in drone, robot, mobile and personal hand-held devices. Compatible in all gizduino boards.



VCC	GND	SCL	SDA	DRDY
GY-271				



5 to 7VDC

USB CABLE
miniType B

gizDuino PLUS w/ ATmega644P