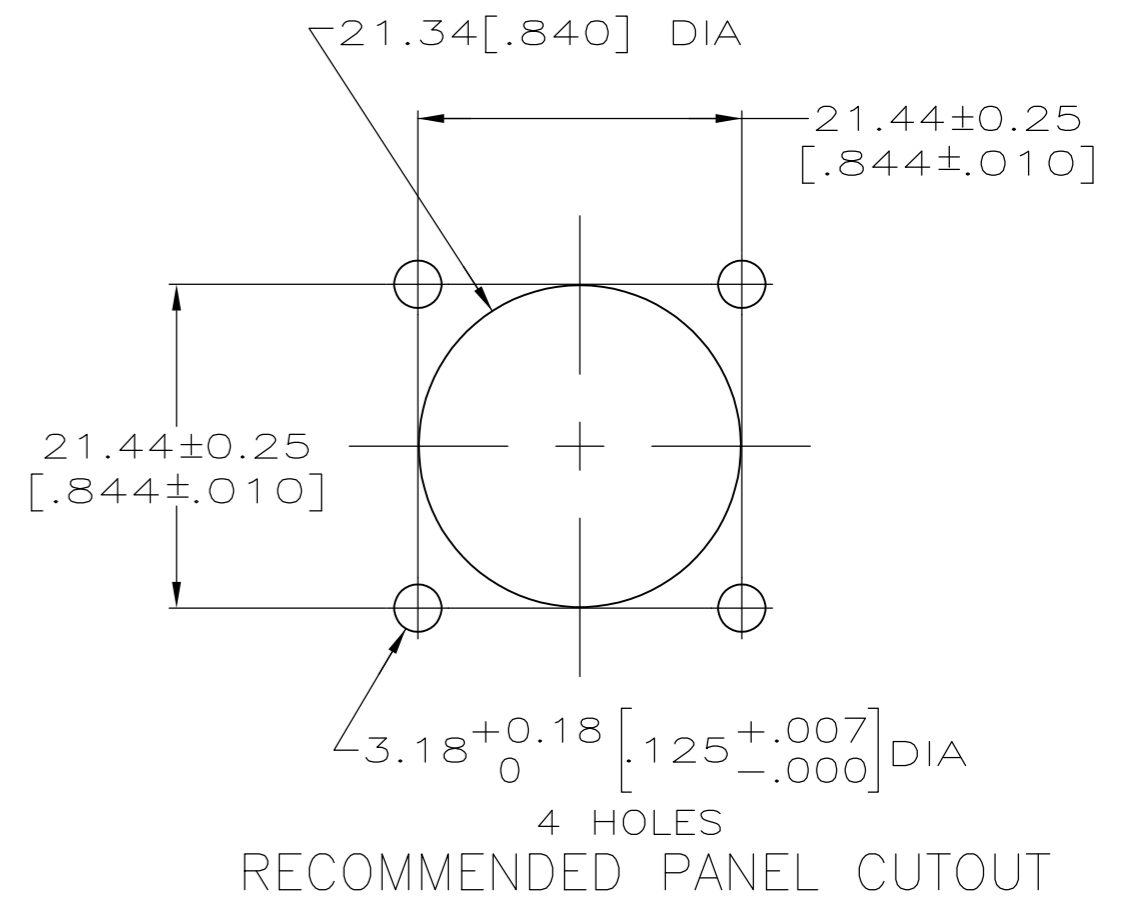
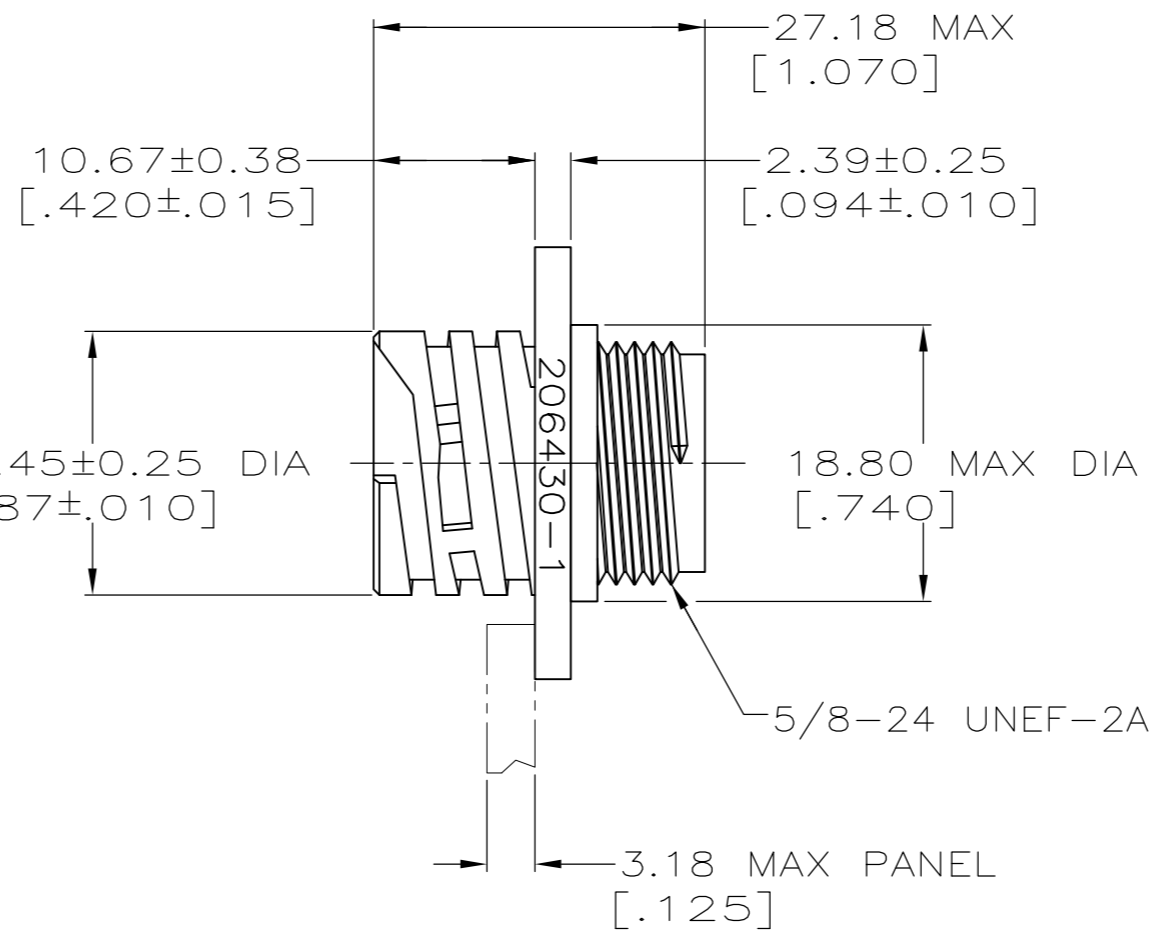
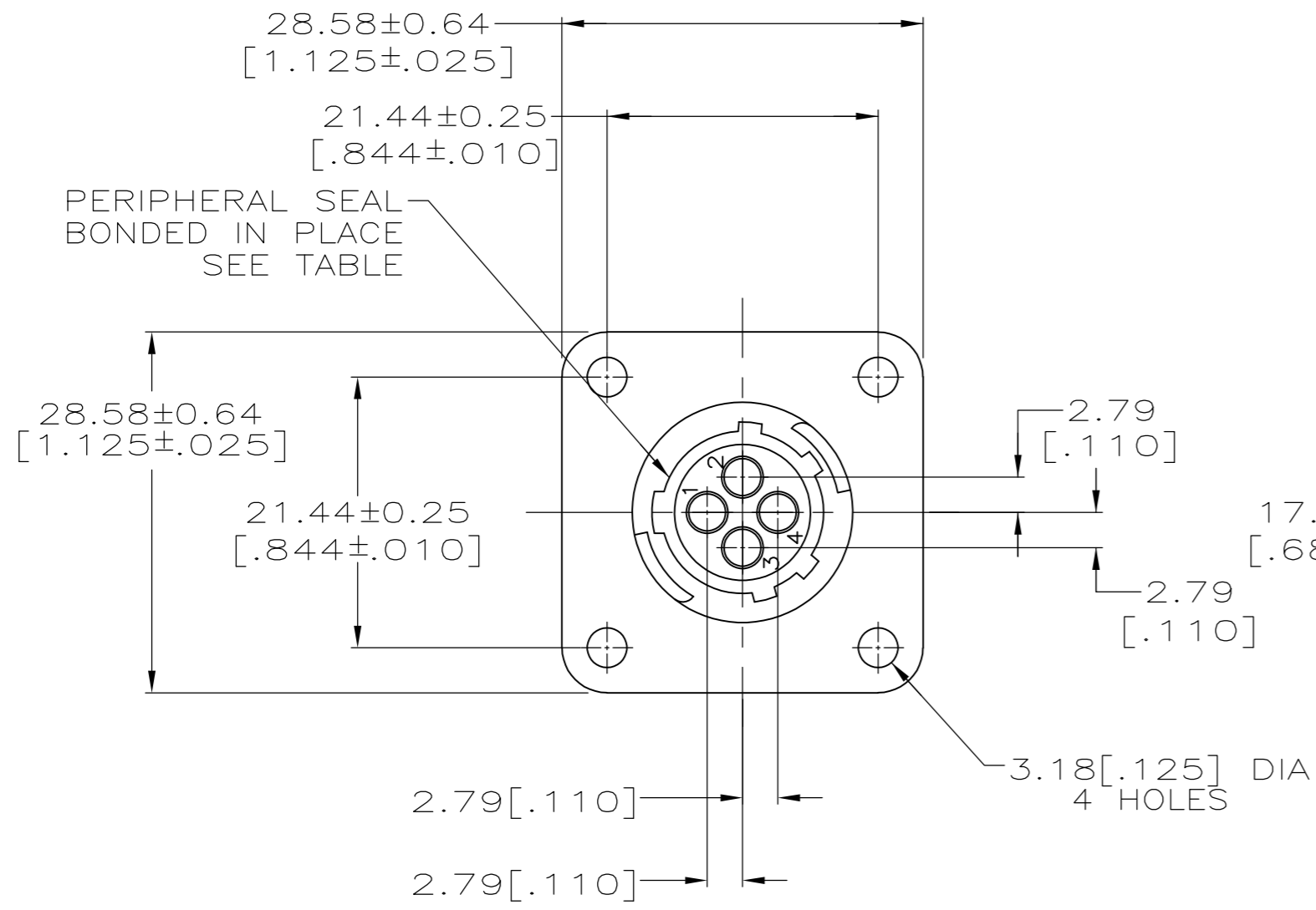
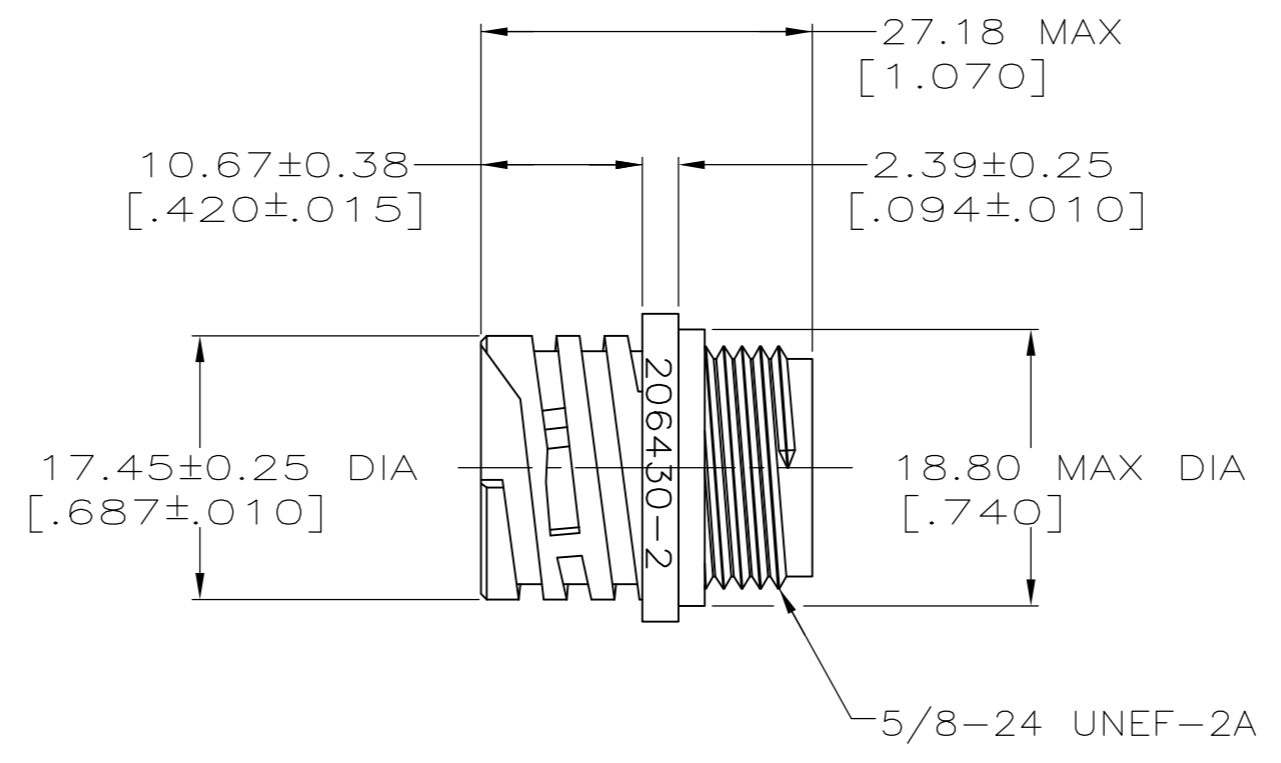
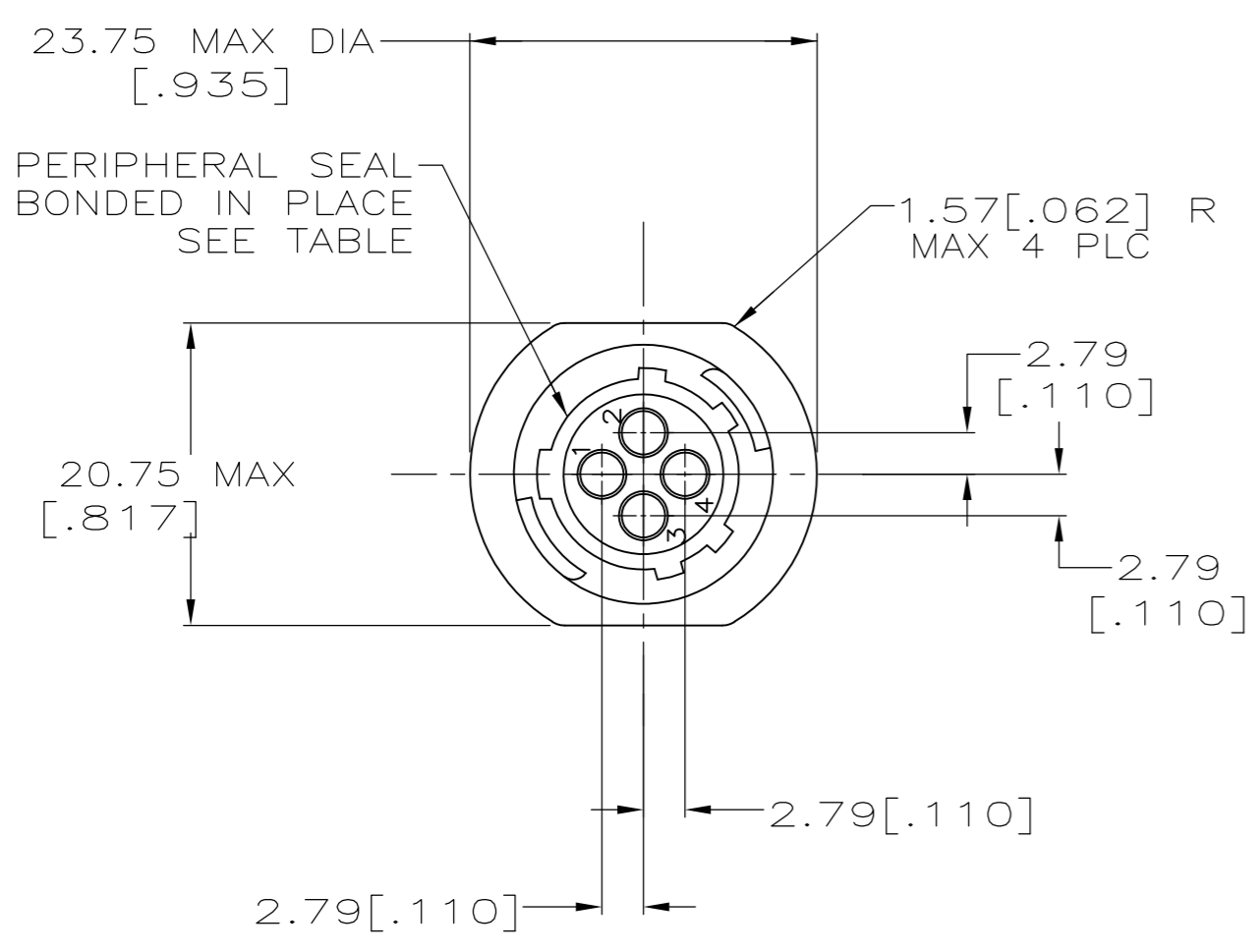


THIS DRAWING IS UNPUBLISHED. RELEASED FOR PUBLICATION
 © COPYRIGHT - By - ALL RIGHTS RESERVED.

REVISIONS					
P	LTR	DESCRIPTION	DATE	DWN	APVD
J		REVISED PER ECO-14-003985	18MAR2014	NK	MZ
K		REVISED PER ECR-16-017870	20APR2017	BDA	MZ



DETAIL A



DETAIL B

OBSOLETE	SMALL PACK	NO	A	206430-5
	STANDARD	YES	B	206430-4
	STANDARD	YES	A	206430-3
	STANDARD	NO	B	206430-2
	STANDARD	NO	A	206430-1
	PACKAGING	PERIPHERAL SEAL	SEE DETAIL	PART NO

- 1 CAVITY IDENTIFICATION ON FRONT AND REAR FACE.
- 2 WILL ACCEPT FOUR (4) MULTIMATE SOCKET CONTACTS.

THIS DRAWING IS A CONTROLLED DOCUMENT.

DIMENSIONS: INCHES	TOLERANCES UNLESS OTHERWISE SPECIFIED:	DWN W.LENKER 09/09/92	
	0 PLC ± -	CHK R.STONE 08/11/93	
	1 PLC ± -	APVD A.FRANTUM 08/13/93	
	2 PLC ± 0.13 [.005]	NAME	
MATERIAL NYLON, BLACK	FINISH -	PRODUCT SPEC 108-10024	RECEPTACLE HOUSING, REVERSE SEX, SHELL SIZE 11, CPC
		APPLICATION SPEC -	SIZE A2
		WEIGHT -	CAGE CODE 00779
		CUSTOMER DRAWING	DRAWING NO C=206430
			RESTRICTED TO -
			SCALE 2:1
			SHEET 1 of 1
			REV K

Mouser Electronics

Authorized Distributor

Click to View Pricing, Inventory, Delivery & Lifecycle Information:

[TE Connectivity:](#)

[206430-1](#)