



SINOCERA



Quartz Force Sensor (20T)

Model: CL-YD-320

FEATURES

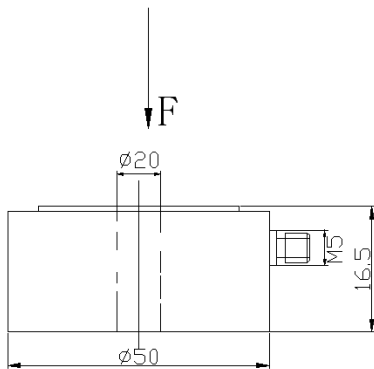
- Quartz force transducer for measuring dynamic or quasi-static force.
- Wide frequency range.
- Small size, light weight, laser welding.
- Annular structure, 20 tons measuring range.



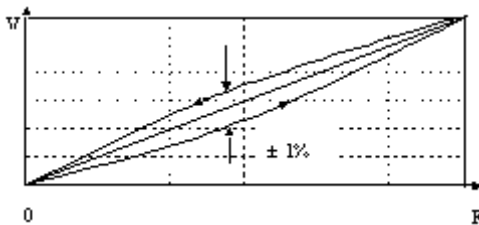
SUPPLIED WITH

Calibration chart
 Protective cap
 STYV-1 Lower noise cable (2m)

Technical Specifications:



Sensitivity (20±5°C)	4pC/N
Calibrated range	0 to 200,000N
Overload	120 %
Linearity	< 1%F·S.
Hysteresis	< 1%F·S
Repeatability	< 1%F·S
Capacitance	39pF
Insulation Resistance	> 1013Ω
Resonance Frequency	> 30kHz
Operating Temperature Range	-40 to +200 °C
Weight	150g
Case Material	High Strength Stainless Steel
Mounting	Φ20 hole
Sensing Element	Quartz
Output Type	Side -L5



The typical static calibration curve (3 times average)