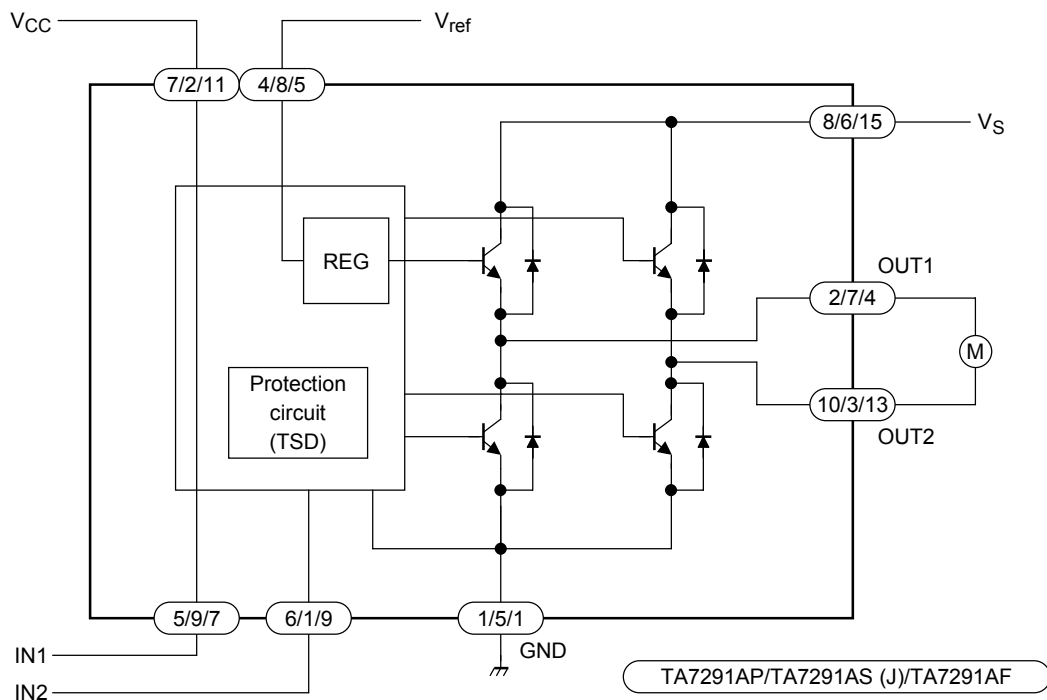


Block Diagram



Pin Function

Symbol	Pin No.			Function Description
	AP	AS (J)	AF	
V _{CC}	7	2	11	Supply voltage pin for Logic
V _S	8	6	15	Supply voltage pin for motor driver
V _{ref}	4	8	5	Supply voltage pin for control
GND	1	5	1	Ground pin
IN1	5	9	7	Input pin
IN2	6	1	9	Input pin
OUT1	2	7	4	Output pin
OUT2	10	3	13	Output pin

AP type: Pin 3 and 9 are NC.

AS (J) type: Pin 4 is NC.

AF type: Pin 2, 3, 6, 8, 10, 12, 14, and 16 are NC.

For F type, we recommend the fin be connected to ground.

Function

Input		Output		Mode
IN1	IN2	OUT1	OUT2	
0	0	∞	∞	Stop
1	0	H	L	CW/CCW
0	1	L	H	CCW/CW
1	1	L	L	Brake

∞: High impedance

Note: Inputs are all active high.

Maximum Ratings (Ta = 25°C)

Characteristics		Symbol	Rating	Unit	
Supply voltage		V _{CC}	30	V	
		V _{CC (opr.)}	27		
Motor drive voltage		V _S	30	V	
		V _{S (opr.)}	27		
Reference voltage		V _{ref}	30	V	
		V _{ref (opr.)}	27		
Output current	Peak	AP type	I _{O (peak)}	A	
		AS (J)/AF type			2.0
	Typ.	AP type	I _{O (typ.)}		1.2
		AS(J)/AF type			1.0
Power dissipation	AP type	P _D	0.4	W	
	AS (J) type		12.5 (Note 1)		
	AF type		0.95 (Note 2)		
Operating temperature		T _{opr}	-30 to 75	°C	
Storage temperature		T _{stg}	-55 to 150	°C	

Note 1: T_c = 25°C

Note 2: No heat sink

Note 3: When mounted on a PCB (PCB area: 60 mm × 30 mm × 1.6 mm, Cu area: 50% or more)

Wide range of operating voltage: V_{CC (opr.)} = 4.5 V to 27 V

V_{S (opr.)} = 4.5 V to 27 V

V_{ref (opr.)} = 4.5 V to 27 V

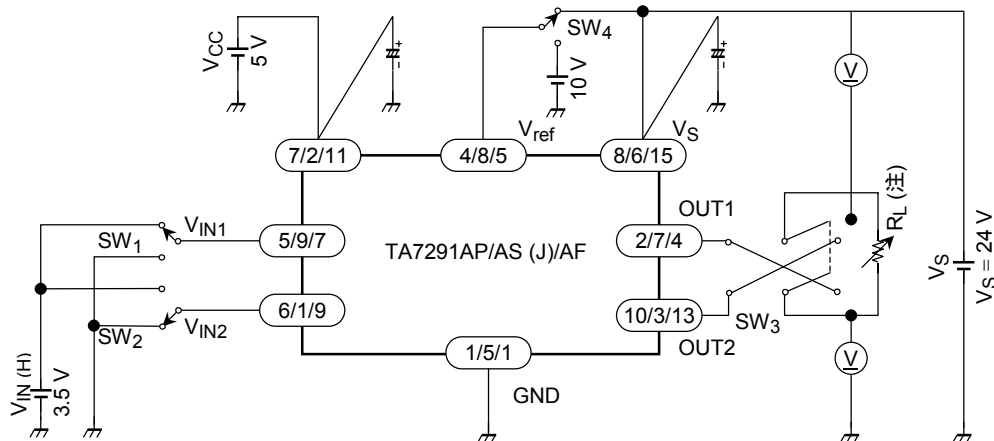
V_{ref} ≤ V_S

Electrical Characteristics (Ta = 25°C, VCC = 5 V, VS = 24 V)

Characteristics		Symbol	Test Circuit	Test Condition	Min	Typ.	Max	Unit
Supply current		ICC1-1	1	Output OFF, CW/CCW mode	—	6.0	11.0	mA
		ICC1-2		Output OFF, CW/CCW mode, VCC = 24 V	—	8.0	13.0	
		ICC2-1		Output OFF, Stop mode	—	0	50	μA
		ICC2-2		Output OFF, Stop mode, VCC = 24 V	—	0	50	
		ICC3-1		Output OFF, Brake mode	—	4.5	8.0	mA
		ICC3-2		Output OFF, Brake mode, VCC = 24 V	—	6.5	10.0	
Input operating voltage	1 (High)	VIN1	2	Tj = 25°C	3.5	—	5.5	V
	2 (Low)	VIN2			GND	—	0.8	
Input current		IIN		VIN = 3.5 V, Sink mode	—	3	10	μA
Saturation voltage	AP/AS (J)/AF type	Upper side	3	Vref = VS, VOUT-VS measure IO = 0.2 A, CW/CCW mode	—	0.9	1.2	V
		Lower side		Vref = VS, VOUT-GND measure IO = 0.2 A, CW/CCW mode	—	0.8	1.2	
	AS (J)/AF type	Upper side		Vref = VS, VOUT-VS measure IO = 0.4 A, CW/CCW mode	—	1.0	1.35	
		Lower side		Vref = VS, VOUT-GND measure IO = 0.4 A, CW/CCW mode	—	0.9	1.35	
	AP type	Upper side		Vref = VS, VOUT-VS measure IO = 1.0 A, CW/CCW mode	—	1.3	1.8	
		Lower side		Vref = VS, VOUT-GND measure IO = 1.0 A, CW / CCW mode	—	1.2	1.85	
Output voltage (upper side)	AS (J)/AF type	VSAT U-1'	3	Vref : 10 V, VOUT-GND measure IO = 0.2 A, CW / CCW mode	—	11.2	—	V
		VSAT U-2'		Vref : 10 V, VOUT-GND measure IO = 0.4 A, CW/CCW mode	10.4	10.9	12.2	
	AP type	VSAT U-3'		Vref : 10 V, VOUT-GND measure IO = 0.5 A, CW/CCW mode	—	11.0	—	
		VSAT U-4'		Vref : 10 V, VOUT-GND measure IO = 1.0 A, CW/CCW mode	10.2	10.7	12.0	
Leakage current		Upper side	4	VL = 30 V	—	—	50	μA
		Lower side		VL = 30 V	—	—	50	
Diode forward voltage	AS (J)/AF type	Upper side	5	—	—	1.5	—	V
	AP type	Lower side		—	—	2.5	—	
	AS (J)/AF type	Upper side		—	—	0.9	—	
	AP type	Lower side		—	—	1.2	—	
Reference current		Iref	2	Vref = 10 V, Source mode	—	—	40	μA

Test Circuit 3.

$V_{SAT} U-1, 2, 3$ $V_{SAT} L-1, 2, 3$ $V_{SAT} U-1', 2', 3', 4'$

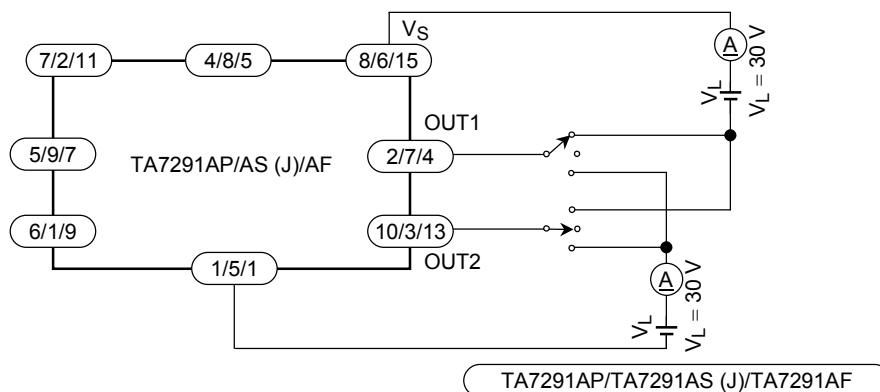


Note 1: I_{OUT} calibration is required to adjust specified values of test conditions by R_L .
($I_{OUT} = 0.2 A/0.4 A/0.5 A/1.0 A$)

Note 2: The heat fin of the TA7291AF is connected to ground.

Test Circuit 4.

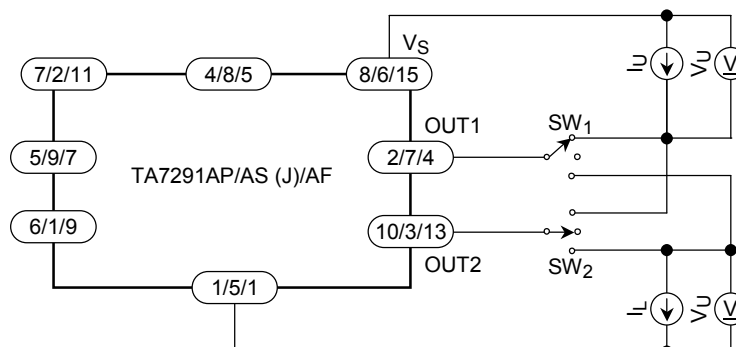
I_{LU}, L

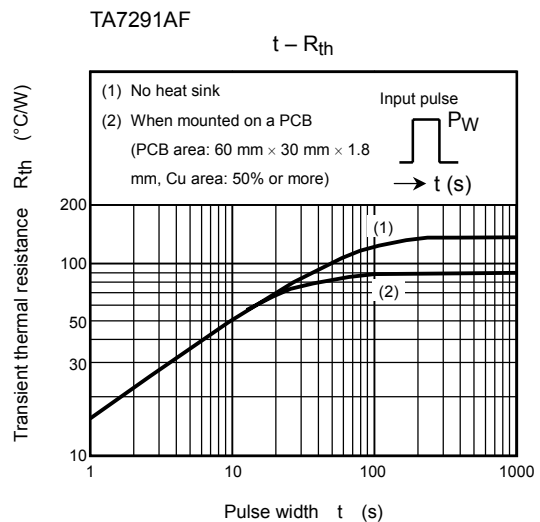
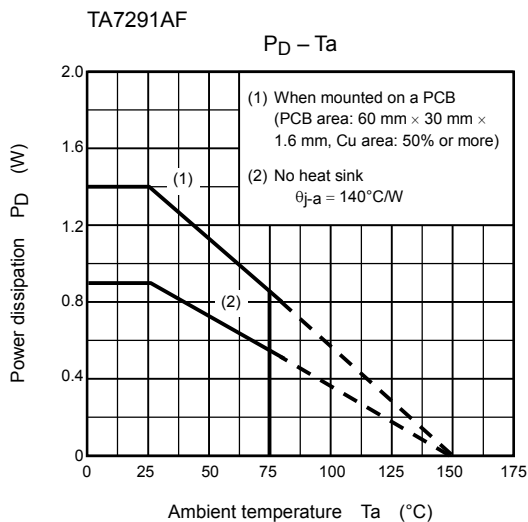
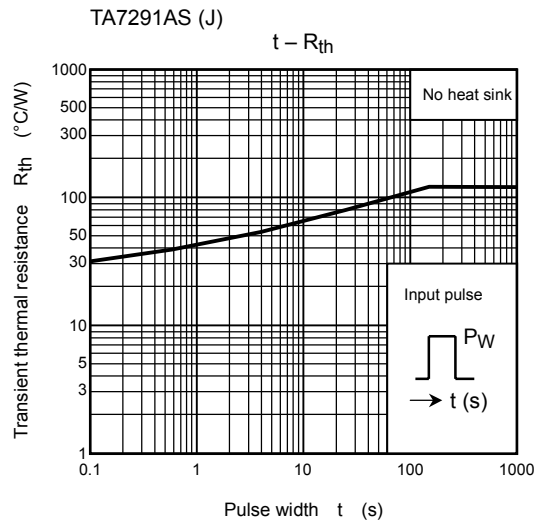
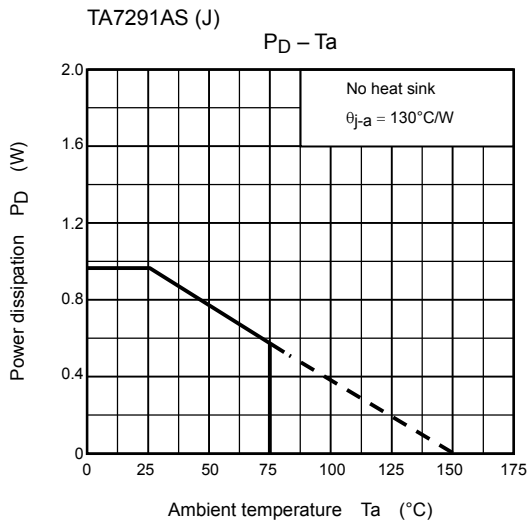
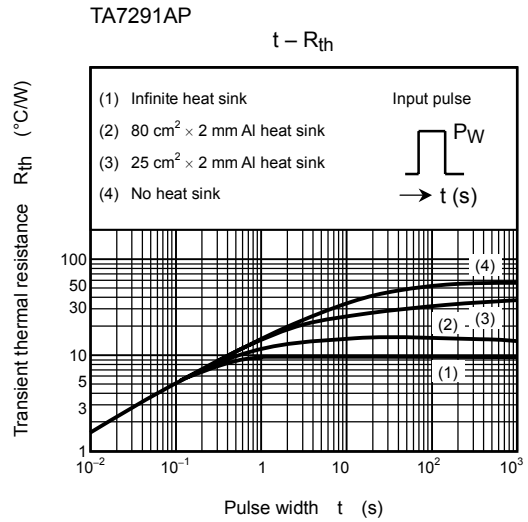
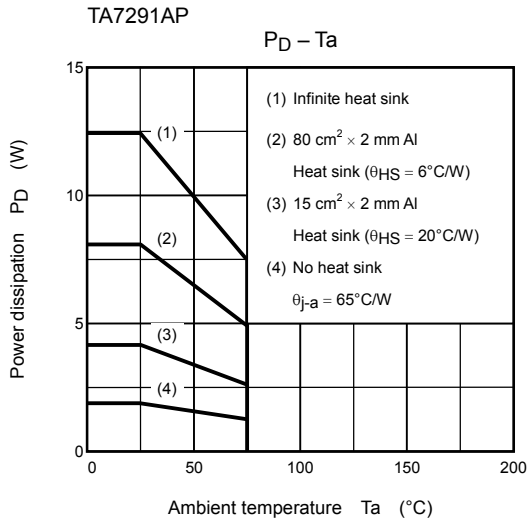


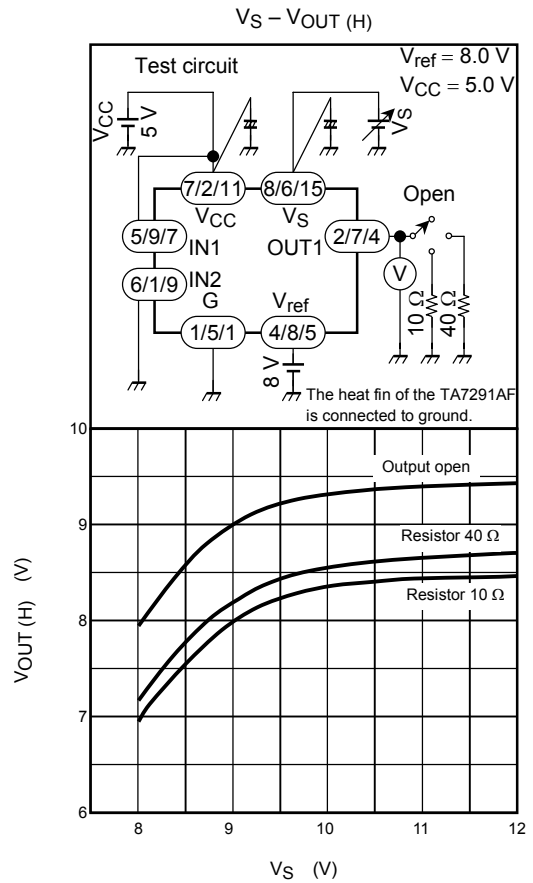
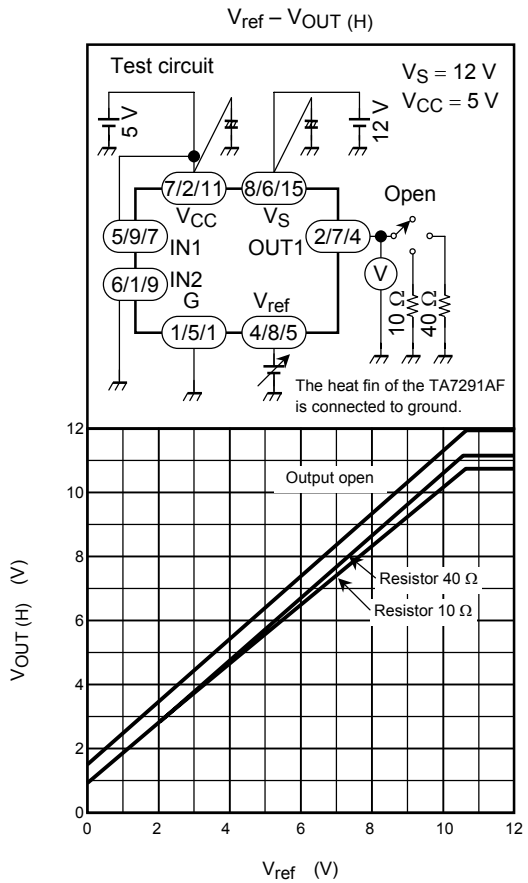
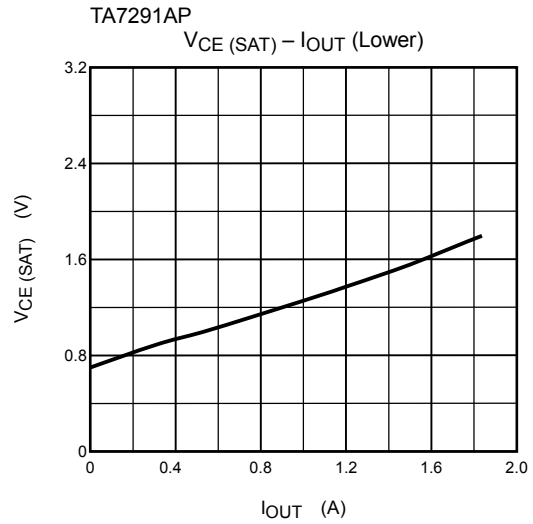
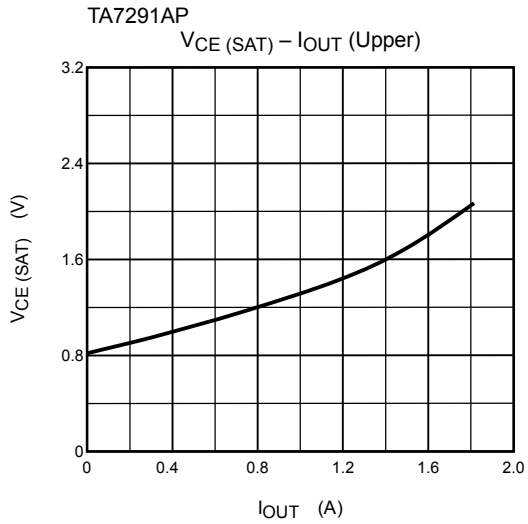
Note: The heat fin of the TA7291AF is connected to ground.

Test Circuit 5.

$V_{FU}-1, 2$ $V_{FL}-1, 2$







Notes

- **Power On/Off**

At power on, VCC must be applied simultaneously or before VS. At power off, VCC must be removed simultaneously or after VS.

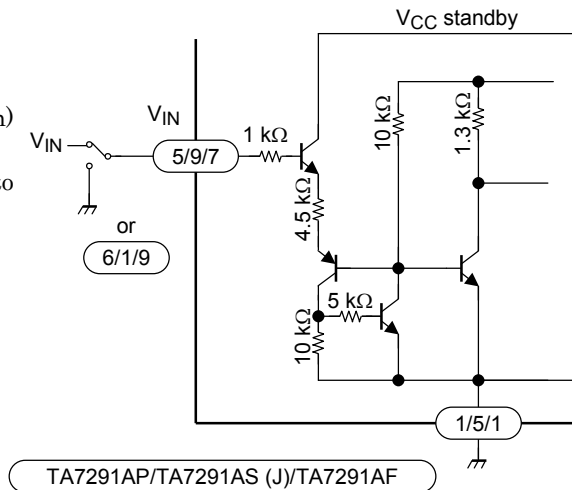
- **Input Circuit**

A logic high on the VIN pin activates the input circuit as shown in the figure.

When a voltage greater than or equal to VIN (high) is applied to the pin, the circuit is active. When a voltage less than or equal to VIN (low) is applied to the pin or the pin is grounded, the circuit is inactive.

When the pin is high, the input current IIN flows into the input circuit. So, be careful about the output impedance of the first stage.

The input hysteresis is 0.7 V (typ.). At power on (VCC), set both input pins IN1 and IN2 to low.



- **Output Circuit**

Output high voltage

- Operation based on the Vref voltage

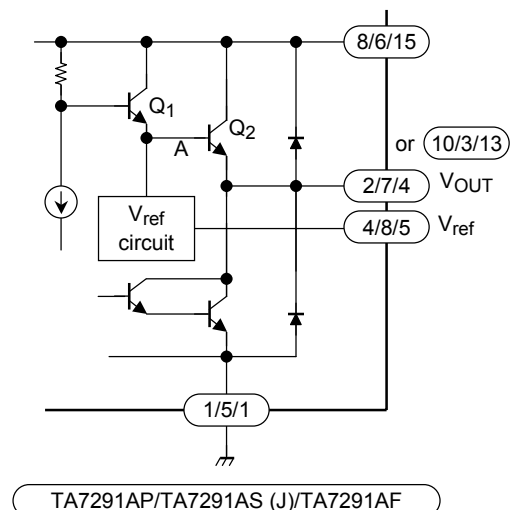
The Vref voltage is increased by twice the value of VBE (small signal) in the Vref circuit. Then, the voltage is applied to the base A of Q2 (power transistor 2). As a result, the voltage which is reduced by the value of VBE (Q2) appears on the VOUT pin.

$$V_{OUT} = V_{ref} + 2V_{BE} - V_{BE} (Q2) \approx V_{ref} + 0.7 V$$

- Vref pin

The Vref pin must not be left open when unused. In this case, connect it via a protection resistor (3 kΩ or more) to the VS pin. Otherwise, it might cause oscillation.

Vref must be ≤ VS.



Protection Features

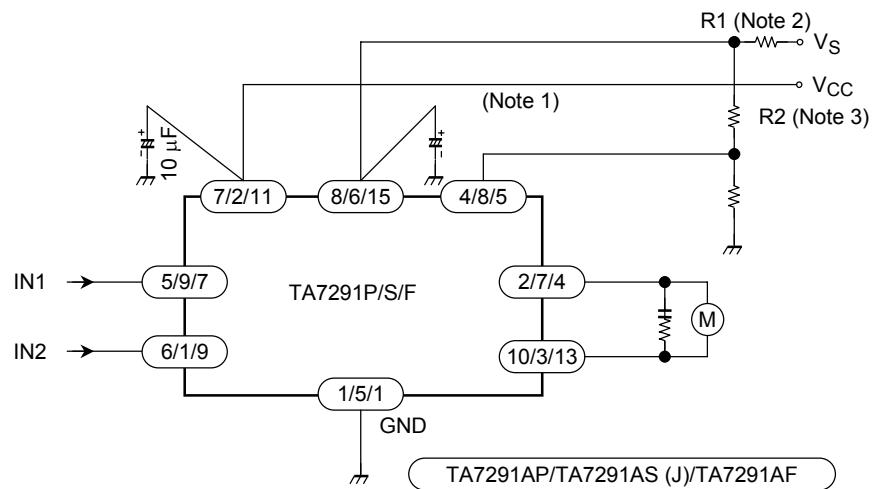
Overcurrent Protection Circuit

The overcurrent protection circuit detects a current flowing through the upper power transistor. If the current exceeds a predetermined value (about 2.5 A), the circuit turns all the power transistors off. However, it does not always prevent overcurrent. If an output pin is shorted or grounded, the IC might be destroyed before operation of the overcurrent protection circuit. So, be sure to connect a resistor or fuse to the power supply (VS) line. (See “Application Circuit.”)

Thermal Shutdown Circuit

If the chip temperature exceeds a predetermined limit (about 170°C), the thermal shutdown circuit turns all the power transistors off.

Application Circuit



Note 1: Select the optimum value for the capacitor by experiment.

Note 2: Insert the current limiting resistor R1 to protect the IC from overcurrent.

Note 3: When $V_S = V_{ref}$, insert the resistor R2 (3 kΩ or more) to protect the V_{ref} pin from being damaged by a surge.

Note 4: The IC may be destroyed due to short circuit between output pins, an output pin and V_{CC} , or an output pin and ground. Design the output line, V_{CC} (V_M , V_S , V_{EE}) lines and the ground line with great care.

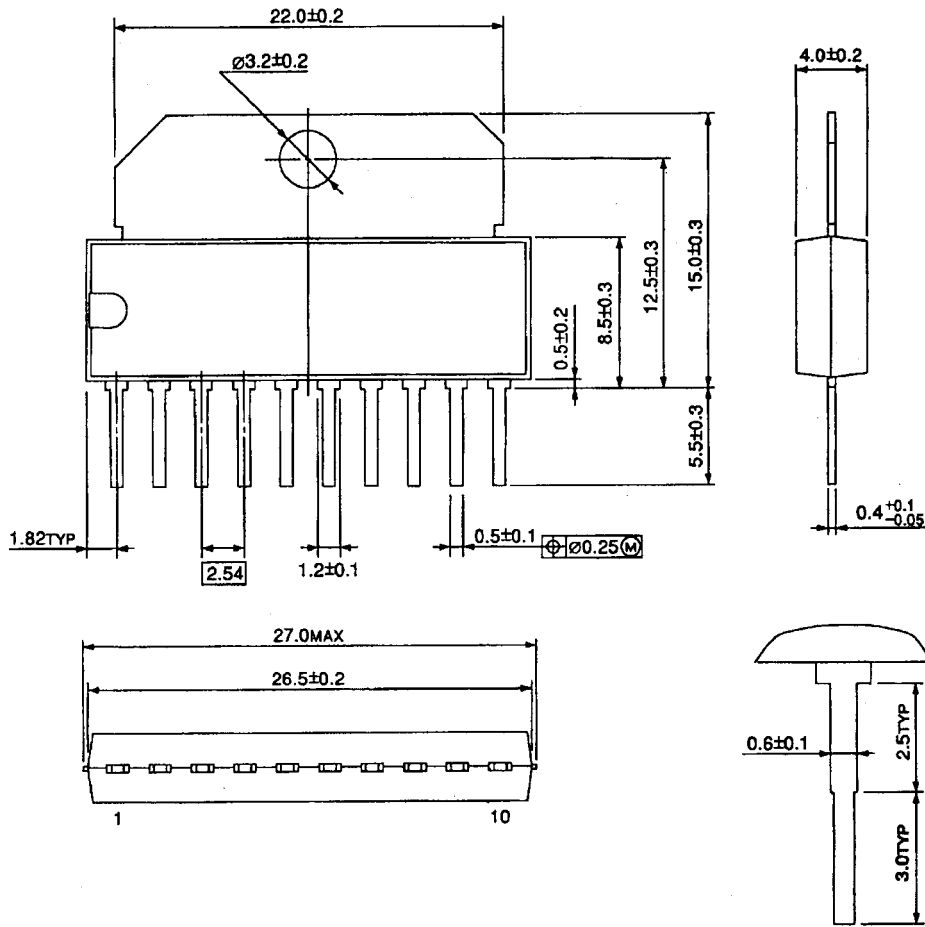
Note

- Shoot-through current occurs when the mode is switched. The driver must enter the stop mode for approximately 100 μs before switching between CW and CCW modes, or CW/CCW and brake modes.
- The proper IC functions are not guaranteed at power on/off. Before using the IC, check that any IC malfunctions that are possible at power on/off will not cause a problem in the IC application.

Package Dimensions

HSIP10-P-2.54

Unit : mm

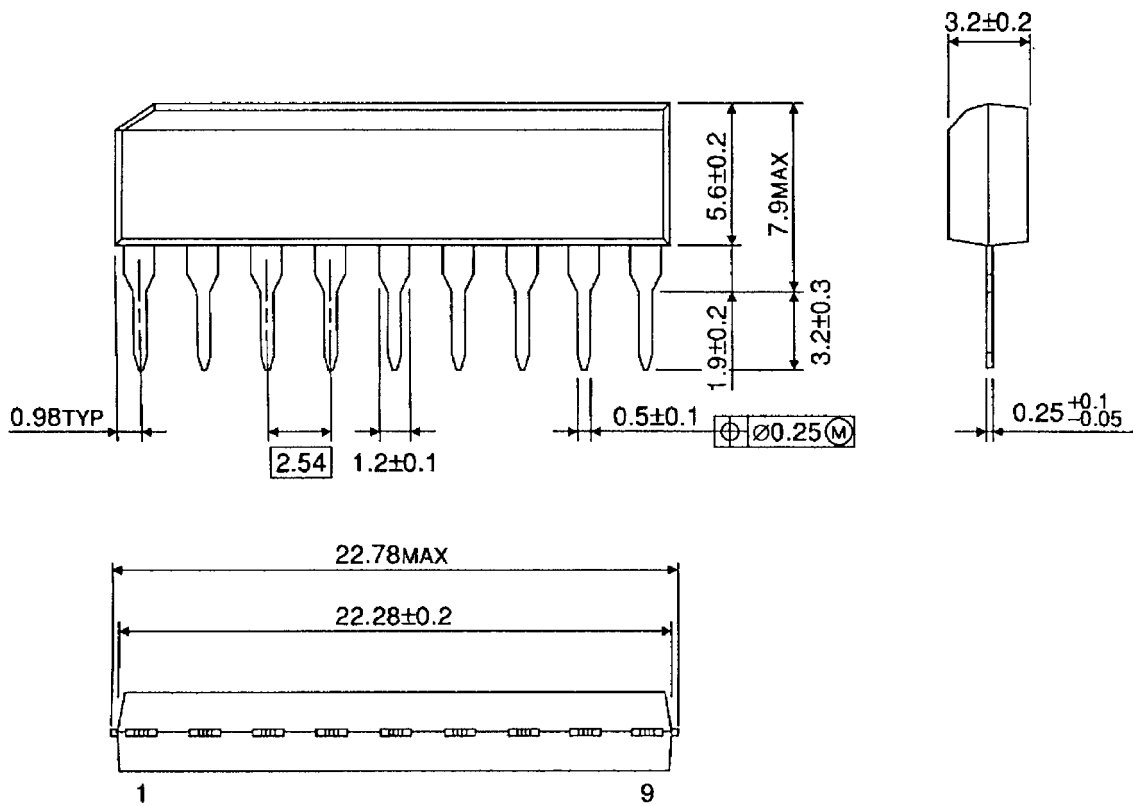


Weight: 2.47 g (typ.)

Package Dimensions

SIP9-P-2.54A

Unit : mm

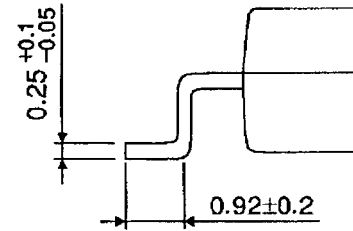
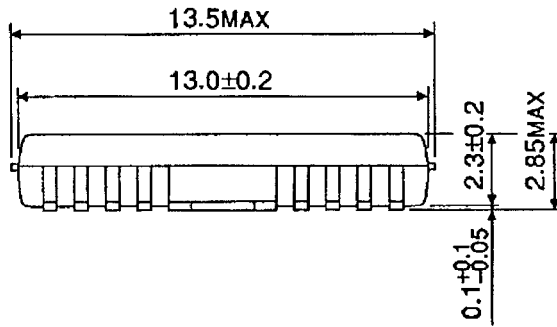
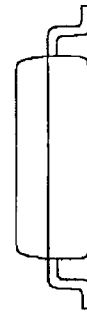
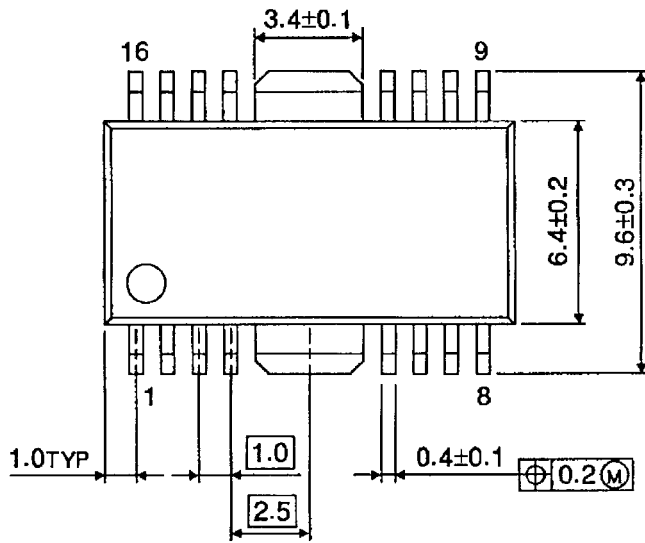


Weight: 0.92 g (typ.)

Package Dimensions

HSOP16-P-300-1.00

Unit : mm



Weight: 0.50 g (typ.)

RESTRICTIONS ON PRODUCT USE

000707EBA

- TOSHIBA is continually working to improve the quality and reliability of its products. Nevertheless, semiconductor devices in general can malfunction or fail due to their inherent electrical sensitivity and vulnerability to physical stress. It is the responsibility of the buyer, when utilizing TOSHIBA products, to comply with the standards of safety in making a safe design for the entire system, and to avoid situations in which a malfunction or failure of such TOSHIBA products could cause loss of human life, bodily injury or damage to property.
In developing your designs, please ensure that TOSHIBA products are used within specified operating ranges as set forth in the most recent TOSHIBA products specifications. Also, please keep in mind the precautions and conditions set forth in the "Handling Guide for Semiconductor Devices," or "TOSHIBA Semiconductor Reliability Handbook" etc..
- The TOSHIBA products listed in this document are intended for usage in general electronics applications (computer, personal equipment, office equipment, measuring equipment, industrial robotics, domestic appliances, etc.). These TOSHIBA products are neither intended nor warranted for usage in equipment that requires extraordinarily high quality and/or reliability or a malfunction or failure of which may cause loss of human life or bodily injury ("Unintended Usage"). Unintended Usage include atomic energy control instruments, airplane or spaceship instruments, transportation instruments, traffic signal instruments, combustion control instruments, medical instruments, all types of safety devices, etc.. Unintended Usage of TOSHIBA products listed in this document shall be made at the customer's own risk.
- The products described in this document are subject to the foreign exchange and foreign trade laws.
- The information contained herein is presented only as a guide for the applications of our products. No responsibility is assumed by TOSHIBA CORPORATION for any infringements of intellectual property or other rights of the third parties which may result from its use. No license is granted by implication or otherwise under any intellectual property or other rights of TOSHIBA CORPORATION or others.
- The information contained herein is subject to change without notice.