

● FEATURES

Power dissipation

$$P_{CM} : 0.2 \text{ W (Tamb=25}^\circ\text{C)}$$

Collector current

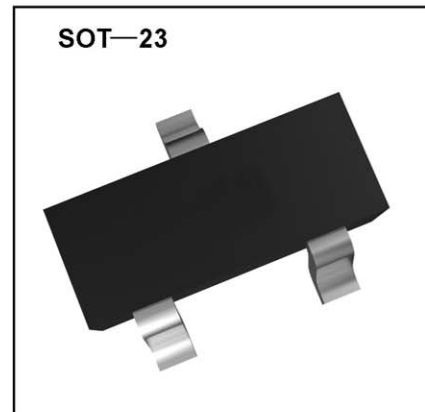
$$I_{CM} : -0.15 \text{ A}$$

Collector-base voltage

$$V_{(BR)CBO} : -60 \text{ V}$$

Operating and storage junction temperature range

$$T_J, T_{stg} : -55^\circ\text{C to } +150^\circ\text{C}$$



● ELECTRICAL CHARACTERISTICS (Tamb=25°C unless otherwise specified)

| Parameter | Symbol | Test conditions | MIN | TYP | MAX | UNIT |
|--------------------------------------|---------------|---|-----|-------|------|---------------|
| Collector-base breakdown voltage | $V_{(BR)CBO}$ | $I_C = -5 \mu\text{A}, I_E = 0$ | -60 | | | V |
| Collector-emitter breakdown voltage | $V_{(BR)CEO}$ | $I_C = -1 \text{ mA}, I_B = 0$ | -50 | | | V |
| Emitter-base breakdown voltage | $V_{(BR)EBO}$ | $I_E = -50 \mu\text{A}, I_C = 0$ | -5 | | | V |
| Collector cut-off current | I_{CBO} | $V_{CB} = -60 \text{ V}, I_E = 0$ | | | -0.1 | μA |
| Emitter cut-off current | I_{EBO} | $V_{EB} = -5 \text{ V}, I_C = 0$ | | | -0.1 | μA |
| DC current gain | $H_{FE(1)}$ | $V_{CE} = -6 \text{ V}, I_C = -1 \text{ mA}$ | 120 | | 475 | |
| Collector-emitter saturation voltage | $V_{CE(sat)}$ | $I_C = -100 \text{ mA}, I_B = -10 \text{ mA}$ | | -0.18 | -0.3 | V |
| Transition frequency | f_T | $V_{CE} = -6 \text{ V}, I_C = -10 \text{ mA}$ $f = 30 \text{ MHz}$ | 50 | | | MHz |

● CLASSIFICATION OF $H_{FE(1)}$

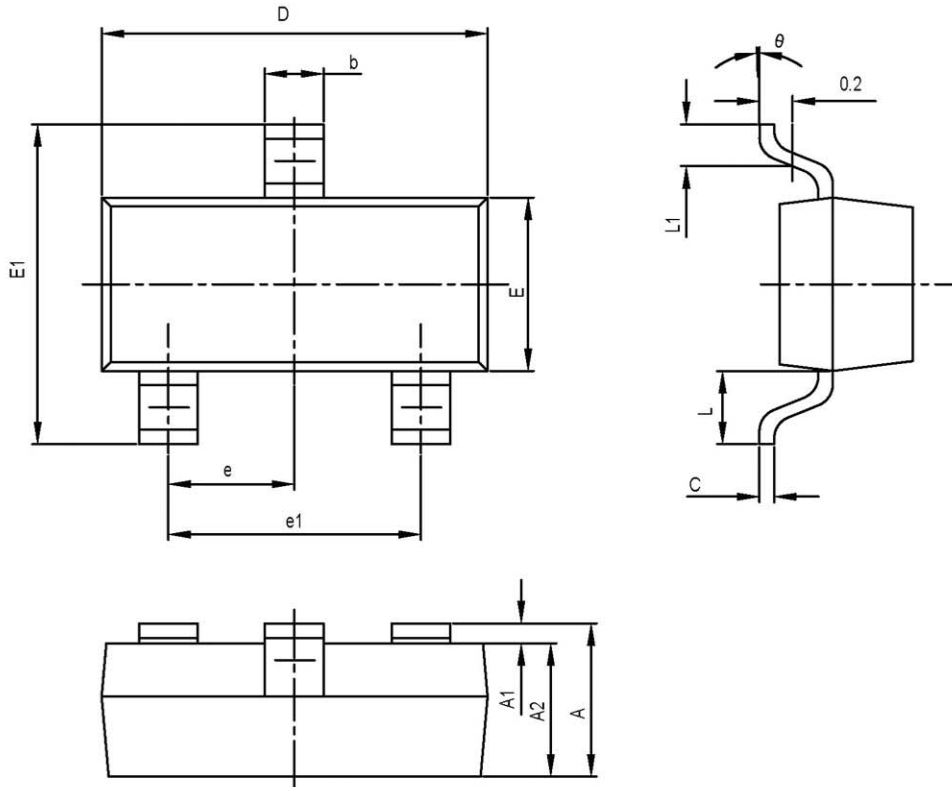
| Rank | L | H |
|---------|---------|---------|
| Range | 120-200 | 200-475 |
| MARKING | CS | |

SK MAKE CONSCIOUS PRODUCT

CONSCIOUS PRODUCTS BEGIN WITH CONSCIOUS PEOPLE



SOT-23 PACKAGE OUTLINE DIMENSIONS



| Symbol | Dimensions In Millimeters | | Dimensions In Inches | |
|--------|---------------------------|-------|----------------------|-------|
| | Min | Max | Min | Max |
| A | 0.900 | 1.100 | 0.035 | 0.043 |
| A1 | 0.000 | 0.100 | 0.000 | 0.004 |
| A2 | 0.900 | 1.000 | 0.035 | 0.039 |
| b | 0.300 | 0.500 | 0.012 | 0.020 |
| c | 0.080 | 0.150 | 0.003 | 0.006 |
| D | 2.800 | 3.000 | 0.110 | 0.118 |
| E | 1.200 | 1.400 | 0.047 | 0.055 |
| E1 | 2.250 | 2.550 | 0.089 | 0.100 |
| e | 0.950TPY | | 0.037TPY | |
| e1 | 1.800 | 2.000 | 0.071 | 0.079 |
| L | 0.550REF | | 0.022REF | |
| L1 | 0.300 | 0.500 | 0.012 | 0.020 |
| θ | 0° | 8° | 0° | 8° |

SK MAKE CONSCIOUS PRODUCT

CONSCIOUS PRODUCTS BEGIN WITH CONSCIOUS PEOPLE

