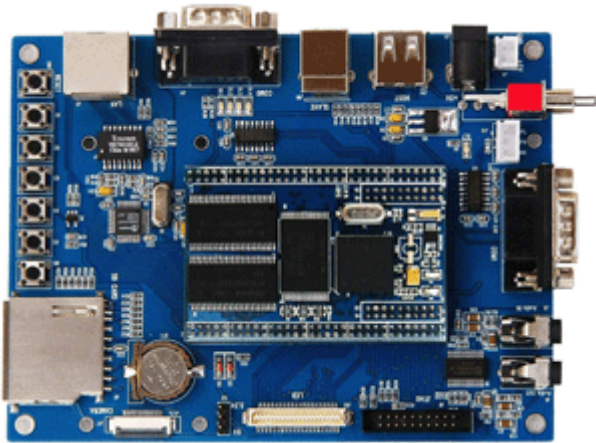


SBC2440-III&IV Single Board Computer

- Samsung's S3C2440A, Operating frequency 400MHz @1.33V
- Supporting image manipulation project based 31-Series USB camera of Vimicro
- Supporting three kinds of GUIs, they are QT, Mizi, OpieGUI
- System parameters can be saved in regedit, and the residual Flash can be read and written
- Display your Logo during system startup
- The system can be updated through USB port
- Supporting Linux 2.6 and WinCE 5.0



Embest SBC2440-III Single Board Computer



Embest SBC2440-IV Single Board Computer

About the daughter board of the SBC2440-III and SBC2440-IV, please get information on Embest website: [Mini2440-I](#)

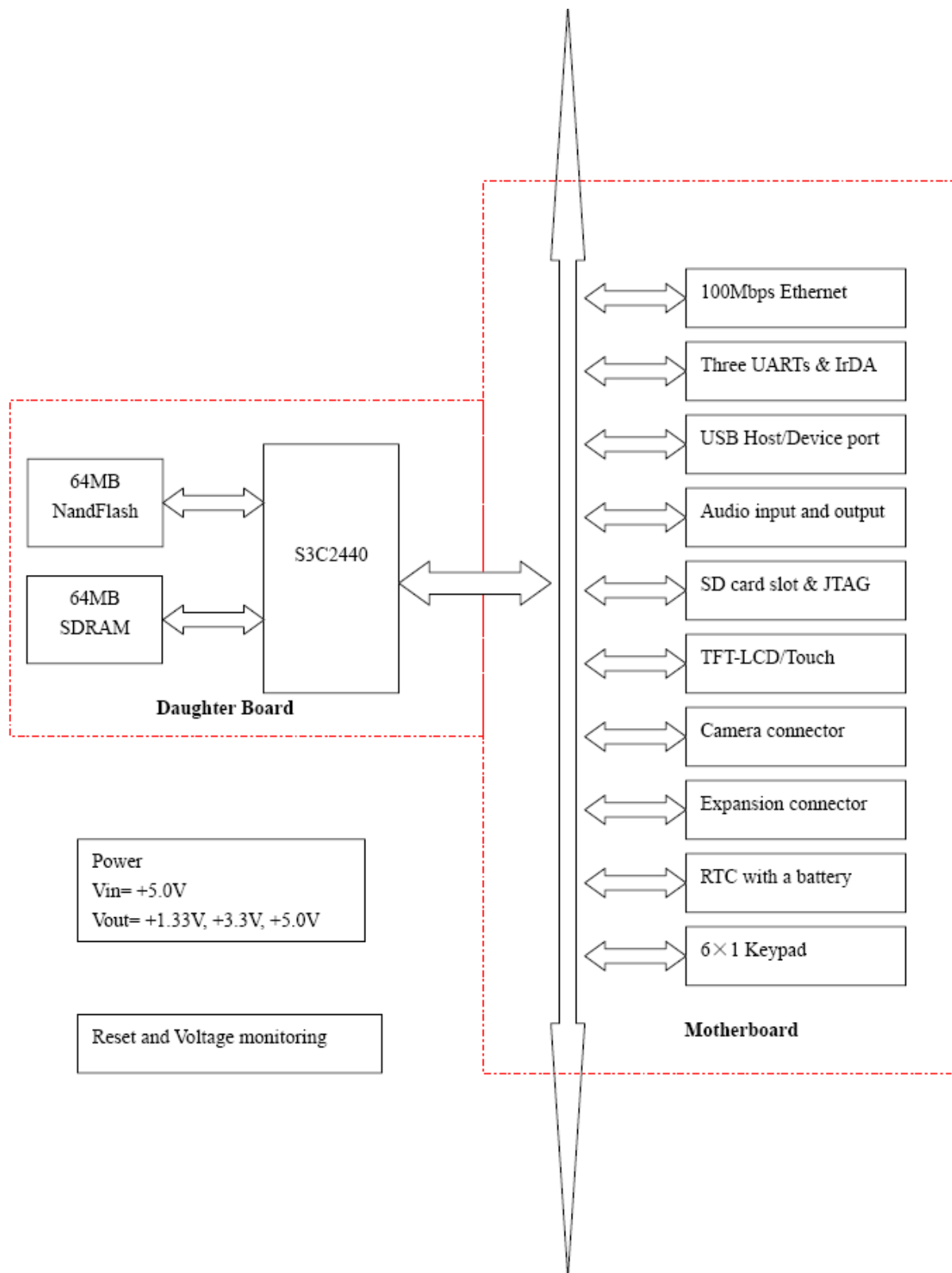
Features

SBC2440-III Daughter Board		SBC2440-IV Daughter board	
S3C2440, 64MB SDRAM, 128MB NandFlash		S3C2440, 64MB SDRAM, 128MB NandFlash	
Two 2*42-pin Board to Board Connectors		Two 2*42-pin Board to Board Connectors	
Size: 65 x 45mm		Size: 65 x 45mm	
SBC2440-III Mother Board		SBC2440-IV Mother Board	
Interfaces	Details	Interfaces	Details
Two 3-wire UARTs		Two 3-wire UARTs	
One 5-wire UART	IrDA Multiplexing	One 5-wire UART	IrDA Multiplexing
10/100Mbps Ethernet	DM9000 controller	10/100Mbps Ethernet	DM9000 controller
TFT-LCD interface	DF9-41S-1V (hirose)	TFT-LCD interface	DF9-41S-1V (hirose)
Audio input/output	UDA1341	Audio input/output	UDA1341
SD card socket		SD card socket	
Camera interface	0.5mm pitch, 20pin FPC	Camera interface	0.5mm pitch, 20pin FPC
User buttons	6 user buttons	User buttons	6 user buttons
RTC	Battery backed	RTC	Battery backed
JTAG	20-pin Jtag interface	JTAG	20-pin Jtag interface
No expansion connector		Expansion connector	2*20-pin GPIO expansion connector
USB	1 USB Host and 1 USB Device	USB	2 USB Host ports or 1 USB Host and 1 USB Device
Wince 5.0 BSP is available		Wince 5.0 BSP is available	
Linux 2.6 BSP is available		Linux 2.6 BSP is available	

Note: Two differences between the SBC2440-III and SBC2440-IV.

1. The SBC2440-III board has no expansion connector on its mother board while the SBC2440-IV has.
2. The SBC2440-III board has One USB Host and One Device port while the SBC2440-IV board has two USB Host or One USB Host and One Device port, which can be configured by a jumper.

Function Block Diagram



Note: NandFlash has enlarged to 128MByte.

Software

OS	Item	Feature	Description
Linux2.6	u-boot (Do not provide source code)	Boot	Start up system
		Tftp	Support tftp transmitting protocol
		File system	Support writting yaffs file system image into nand flash
		Kernel	Support writting kernel image into nand flash
		Kernel Parameter	Support kernel parameter setting
		Etc.	Others
	Kernel	Version	Linux kernel 2.6.13
		File system	ROM/CRAM/EXT2/FAT32/NFS/YAFFS
		Serial device	Three serial ports (Provide source code)
		10/100M Ethernet	DM9000 (Provide source code)
		RTC	(Provide source code)
		USB Host	(Provide source code)
		LEDs	(Provide source code)
		Buttons	User buttons (Provide source code)
		Language	Multi-language Support
		LCD	Support 240x320, 640x480, 480x272, 800x480 (Provide source code)
		Touch panel	(Provide source code)
		SD/MMC card	(Provide source code)
		Sound	UDA1341 (Provide source code)
	Embedded GUI	Qt/Embedded	(Provide source code)
		Mizi	Provide burn image only
		opie	Provide burn image only
	Network protocol & application	TCP/IP	TCP/IP protocol
File transfer		(FTP Client/server)	
Remote login		Telnet protocol	
Web server		boa web server	
Wince 5.0	Bootloader	stepldr	Copy Eboot to SDRAM to jump to Eboot
		Eboot	Ethernet bootloader for wince, support downloading image through USB device port
	Driver	Serial device	Three serial ports (Provide source code)
		10M/100M Ethernet	DM9000 (Provide source code)
		USB OHCI	(Provide source code)
		USB Device	(Provide source code)
		RTC	(Provide source code)
		Buttons	User buttons (Provide source code)
		LCD	(Provide source code)
		Audio	UDA1341 (Provide source code)
		SD/MMC card	(Provide source code)

Order Information

Order No.	Item	Packing List	Price
MH8	SBC2440-III single board computer	<ul style="list-style-type: none"> ✓ SBC2440-III board ✓ 1 USB device cable ✓ 1 RS232 serial cable ✓ 1 net cable ✓ 1 EasyICE JTAG cable ✓ One 5V Power adapter ✓ 1 Product CD 	Please Contact Us
MH9	SBC2440-IV single board computer	<ul style="list-style-type: none"> ✓ SBC2440-IV board ✓ 1 USB device cable ✓ 1 RS232 serial cable ✓ 1 net cable ✓ 1 EasyICE JTAG cable ✓ One 5V Power adapter ✓ 1 Product CD 	
MH13	SBC2440-III+4.3" TFT-LCD+1GB SD card	<ul style="list-style-type: none"> ✓ MH8 ✓ 4.3" TFT-LCD ✓ 1GB SD card 	
MH14	SBC2440-III+7" TFT-LCD+1GB SD card	<ul style="list-style-type: none"> ✓ MH8 ✓ 7" TFT-LCD ✓ 1GB SD card 	
	SBC2440-III+4.3" TFT-LCD	<ul style="list-style-type: none"> ✓ MH8 ✓ 4.3" TFT-LCD 	
	SBC2440-III+7" TFT-LCD	<ul style="list-style-type: none"> ✓ MH8 ✓ 7" TFT-LCD 	
	SBC2440-IV+4.3" TFT-LCD	<ul style="list-style-type: none"> ✓ MH9 ✓ 4.3" TFT-LCD 	
	SBC2440-IV+ 7" TFT-LCD	<ul style="list-style-type: none"> ✓ MH9 ✓ 7" TFT-LCD 	



Embest Info&Tech Co., LTD.

Room 509, Luohu Science&Technology Building,
#85 Taining Rd., Shenzhen, Guangdong, China 518020

Tel: +86-755-25635656/25635626

Fax: +86-755-25616057

Email: market@embedinfo.com

<http://www.embedinfo.com>

<http://www.armkits.com>