

4

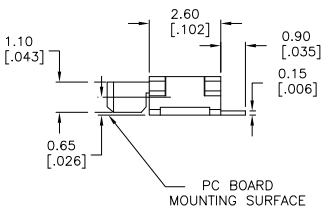
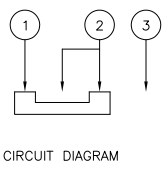
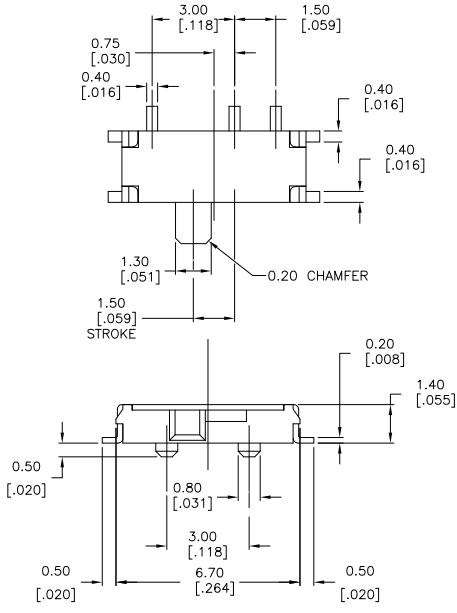
3

2

1

THIS DRAWING IS UNPUBLISHED. RELEASED FOR PUBLICATION. ALL RIGHTS RESERVED.

LOC		DIST		REVISIONS			
F	LNK	DESCRIPTION	DATE	BY	APPD		
A1		REVISED PER ECO-11-004917	11MAR11	RK	HMR		



**SPECIFICATIONS:**

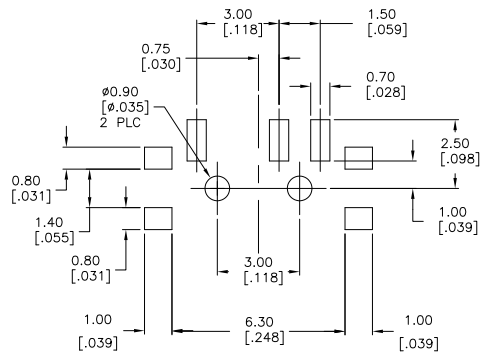
**MATERIALS:**  
CASE: LCP UL94V-0, BLACK  
COVER: NICKEL SILVER ALLOY-PLATE SILVER OVER NICKEL.  
ACTUATOR: NYLON 46 UL94V-0, BLACK  
MOVING CONTACT: COPPER ALLOY-PLATE SILVER OVER NICKEL  
FIXED CONTACT/TERMINAL: COPPER ALLOY-PLATE SILVER OVER NICKEL  
SPRING PLATE, STAINLESS STEEL-PLATE SILVER OVER NICKEL

**ELECTRICAL:**  
CONTACT RATING: 300mA@4VDC.  
INITIAL CONTACT RESISTANCE, 70 MILLIOHMS MAX.  
FINAL CONTACT RESISTANCE, 100 MILLIOHMS MAX.  
INSULATION RESISTANCE: 100 MEGAOHMS MIN.  
DIELECTRIC STRENGTH: 100 VAC FOR 1 MINUTE.  
LIFE EXPECTANCY: 10,000 CYCLES.

**MECHANICAL:**  
ACTUATION FORCE: 200±100g.  
ACTUATION TRAVEL, 1.50±0.15  
LIFE EXPECTANCY, 10,000 CYCLES.

**ENVIRONMENTAL:**  
OPERATING TEMPERATURE, -20 TO +85 DEGREES C  
STORAGE TEMPERATURE, -40 TO +100 DEGREES C  
HUMIDITY, MIL-STD-202, METHOD 103, CONDITION B  
MOISTURE RESISTANCE, MIL-STD-202, METHOD 106  
THERMAL SHOCK, MIL-STD-202, METHOD 107, CONDITION A  
SOLDERABILITY, PER EIA-364-52, CLASS 2, CATEGORY 1,  
95%MINIMUM COVERAGE  
RESISTENCE TO SOLDER HEAT, 109-201, CONDITION B

- NOTES:**
- ALL MATERIALS AND FINISHES SHALL COMPLY WITH EU DIRECTIVE 2002/95/EC OF 27JAN2003(ROHS).
  - TAPE AND REEL PACKAGING PER EIA-481, TAPE WIDTH 16mm, PITCH 8mm AND 3300 pcs PER REEL.



8MM	16MM	3,300	T&R	MLL1200STR	1437575-2
N/A	N/A	N/A	BULK	MLL1200S	1437575-1
Pitch	Tape Width	QTY per Reel	PKG	ALCO P/N	PART NO.

THIS DRAWING IS A CONTROLLED DOCUMENT. DIM R BROWN 04GE001  
CHK H WYTHKOOP 04GE001  
DIMENSIONS: mm [INCHES] TOLERANCES UNLESS OTHERWISE SPECIFIED  
0. PLC ± .01  
1. PLC ± .01  
2. PLC ± .01  
3. PLC ± .01  
4. PLC ± .01  
ANGLES ± .5°

TE Connectivity  
SLIDE SWITCH SPDT,R/A LOW PROFILE SMT

APPLICATION SPEC: A2 00779 C=1437575-1  
CUSTOMER DRAWING SCALE 10:1 SHEET 1 of 1 REV A1