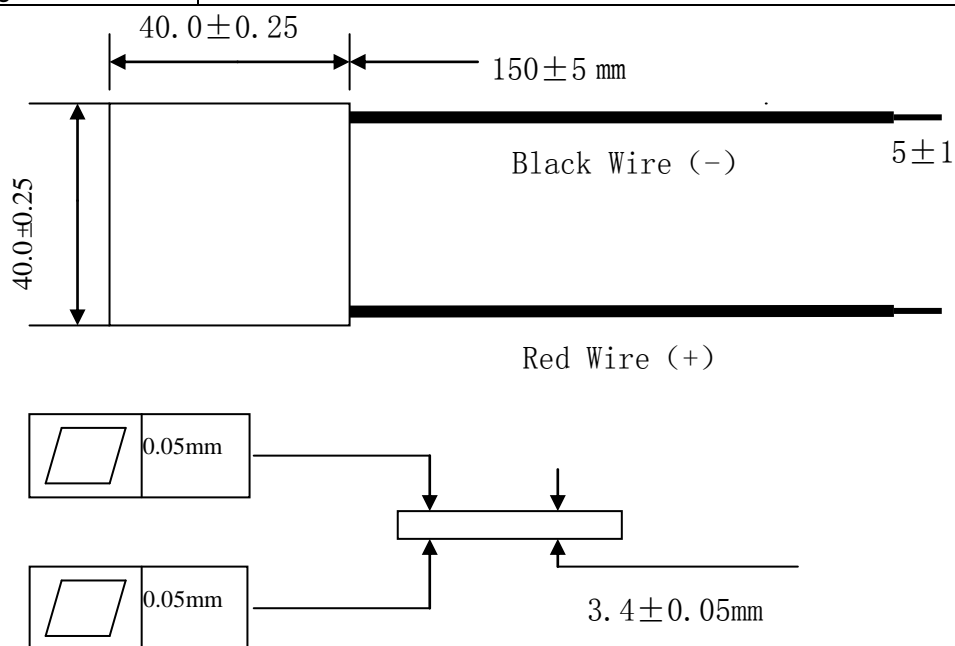




## Specification

Item Number:	TEC1-12709
Device Outline	See picture below
Wire Criteria	1.20AWG UL, PVC insulated 2.Standard 105°C tinned copper wire 3.General length: 150±5mm 4.Length of tinning without outer sphere on the end of wire: 5±1.0mm
Resistance (ohms)	Environment Temperature 20°C, 1KHZ, 1.25-1.40 (ohms)
Packing	Foam box
Printing	See picture below



### Other Requirement:

- 1.Working Temperature:-55°C to +80°C
- 2.Assembled overwhelm force:60lb/Sq.In.
- 3.P/N Couples: 127
- 4.Imax:9A(15.4VDC)
- 5.Vmax:15.4VDC
- 6.Qcmax: 73W (15.4VDC)
- 7.Resistance range:AC-R 1.25-1.40 Ω (Surrounding Temperature 20°C 1KHZ)
8. ΔTmax: ≥66°C
- 9.Wire should be soldered on the hot side
- 10.20AWG UL, PVC insulated, Standard 105°C tinned copper wire