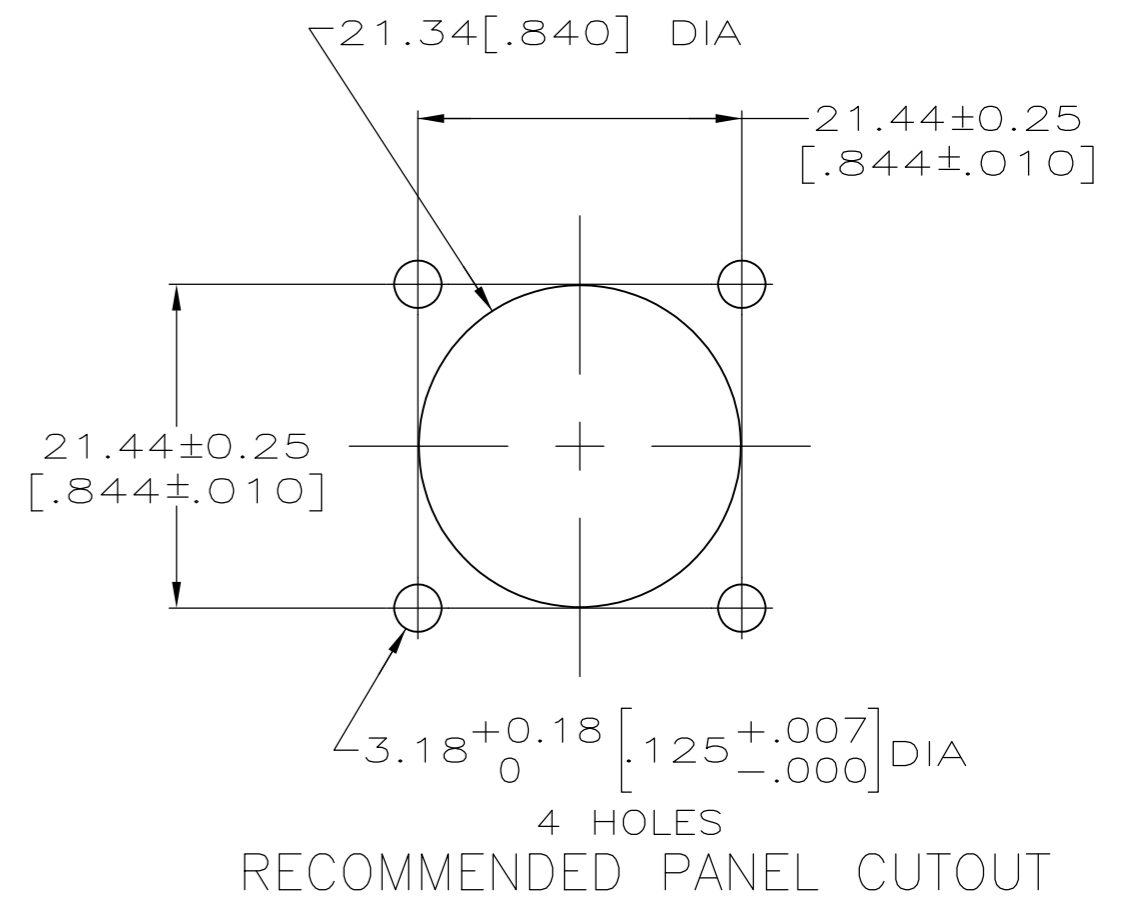
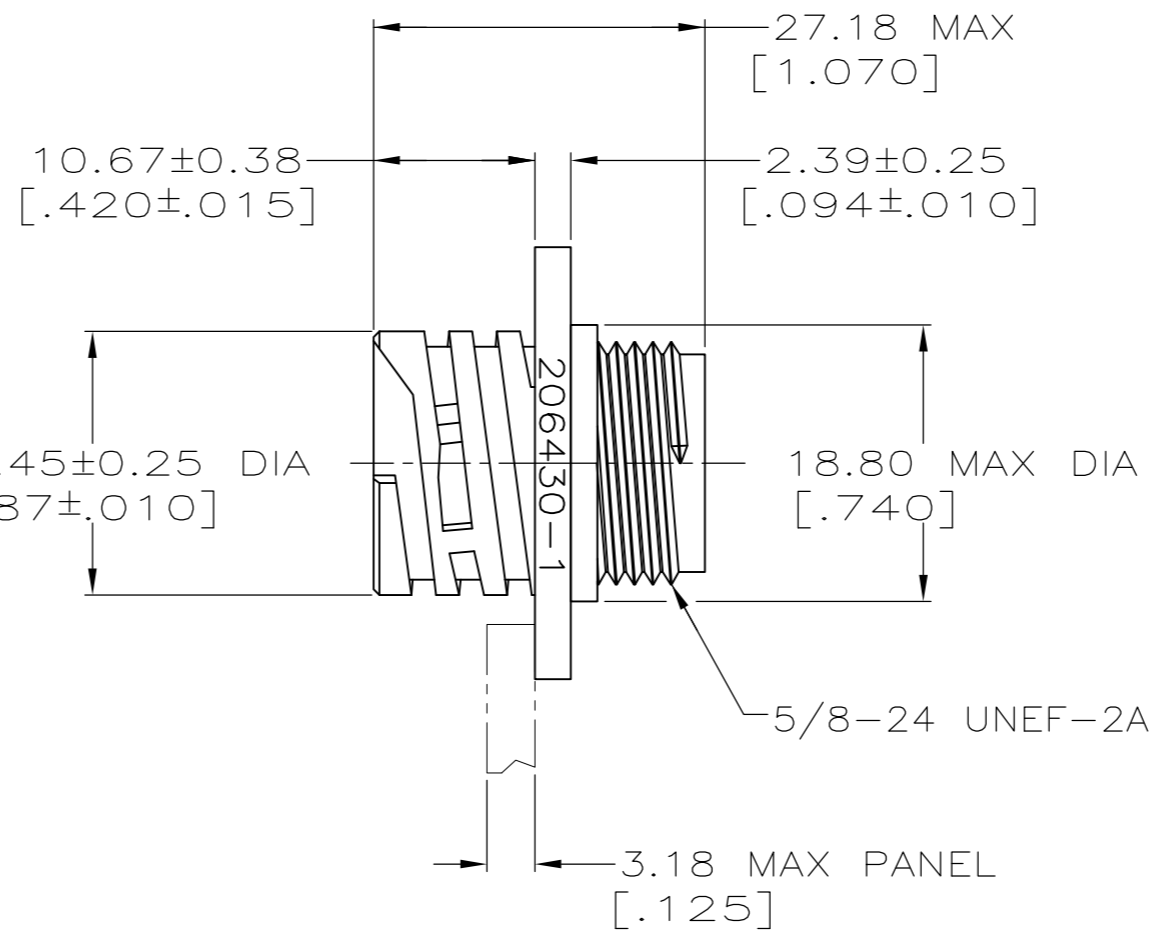
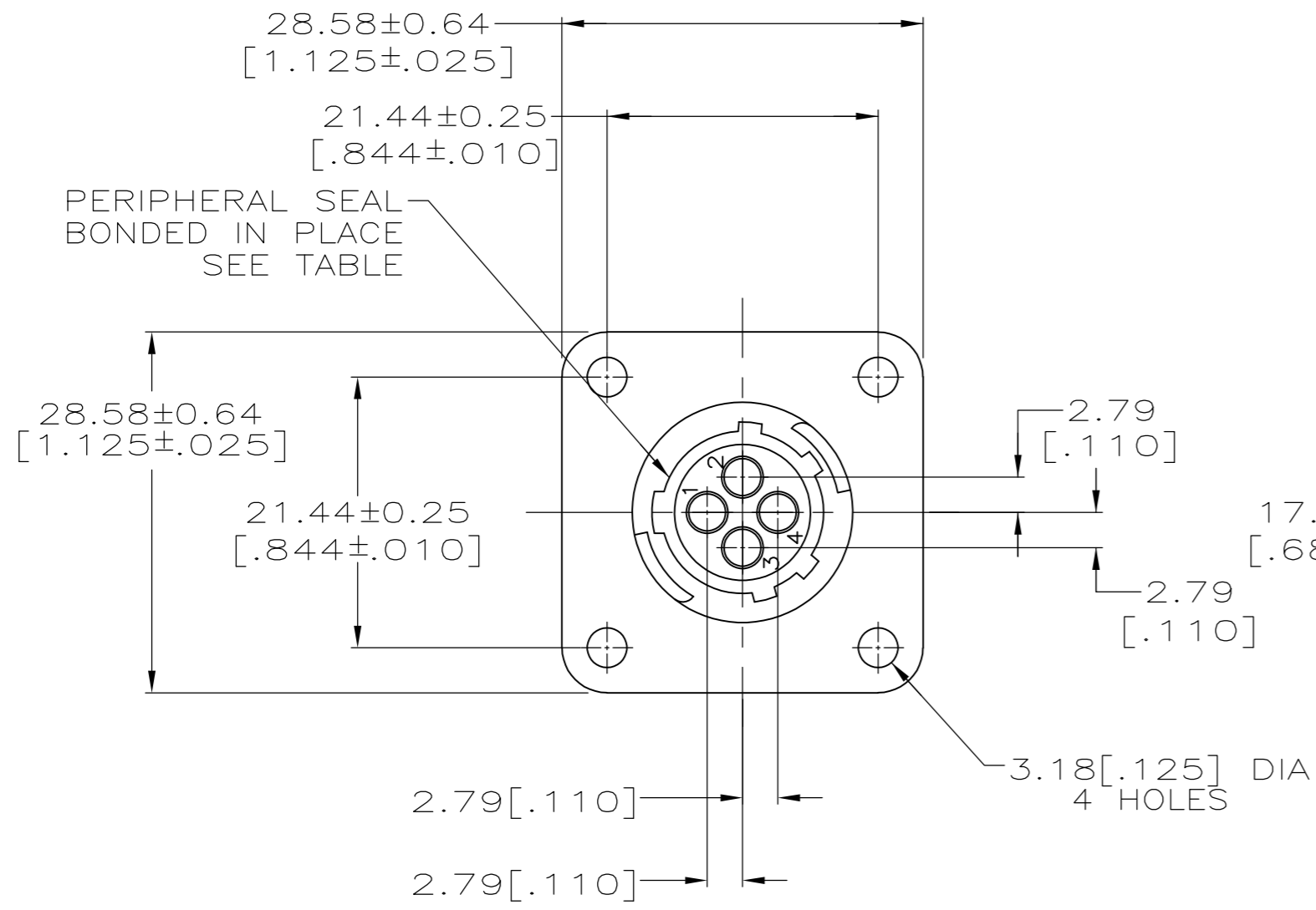
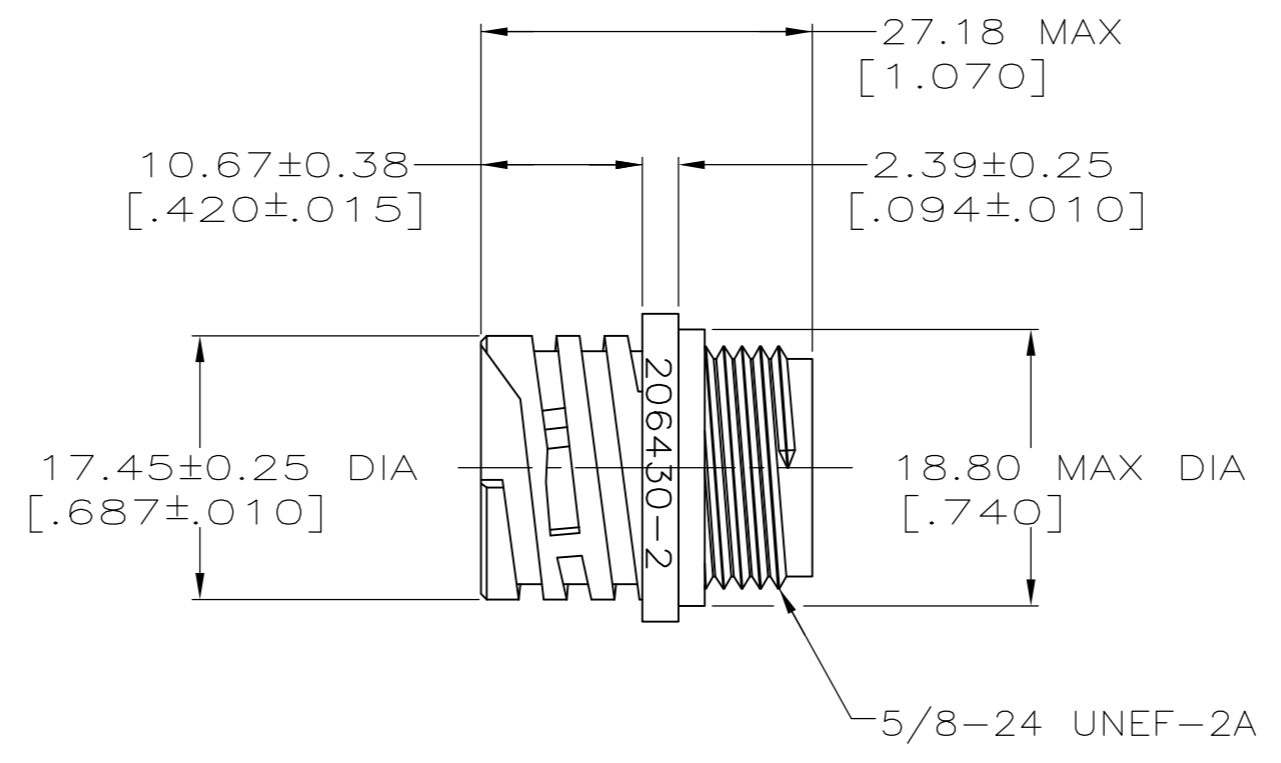
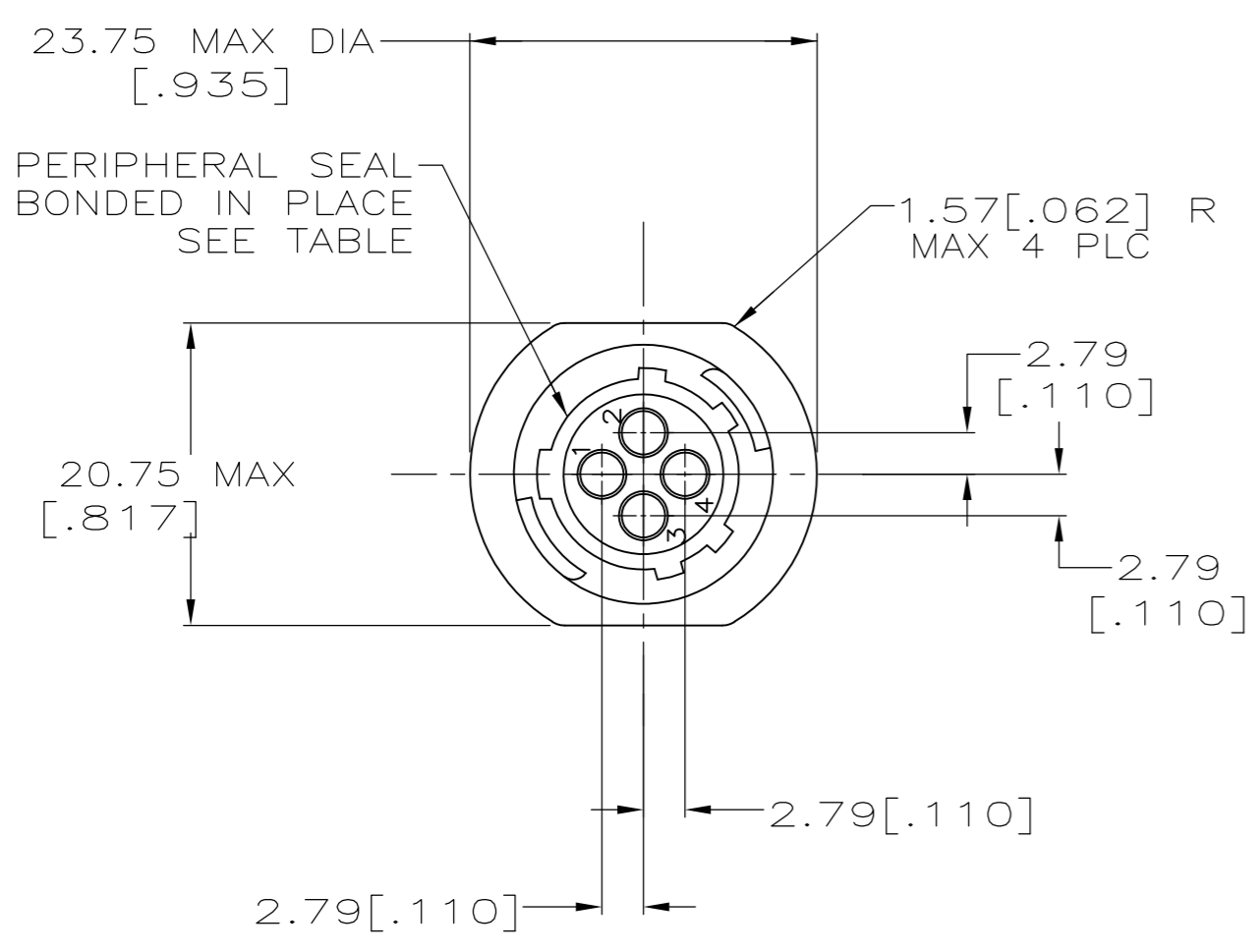


THIS DRAWING IS UNPUBLISHED. RELEASED FOR PUBLICATION
 © COPYRIGHT - By - ALL RIGHTS RESERVED.

| REVISIONS | | | | | |
|-----------|-----|---------------------------|-----------|-----|------|
| P | LTR | DESCRIPTION | DATE | DWN | APVD |
| J | | REVISED PER ECO-14-003985 | 18MAR2014 | NK | MZ |
| K | | REVISED PER ECR-16-017870 | 20APR2017 | BDA | MZ |



DETAIL A



DETAIL B

| | | | | |
|----------|------------|-----------------|------------|----------|
| OBSOLETE | SMALL PACK | NO | A | 206430-5 |
| | STANDARD | YES | B | 206430-4 |
| | STANDARD | YES | A | 206430-3 |
| | STANDARD | NO | B | 206430-2 |
| | STANDARD | NO | A | 206430-1 |
| | PACKAGING | PERIPHERAL SEAL | SEE DETAIL | PART NO |

- 1 CAVITY IDENTIFICATION ON FRONT AND REAR FACE.
- 2 WILL ACCEPT FOUR (4) MULTIMATE SOCKET CONTACTS.

THIS DRAWING IS A CONTROLLED DOCUMENT.

| | | | |
|-----------------------|--|-------------------------|---|
| DIMENSIONS: INCHES | TOLERANCES UNLESS OTHERWISE SPECIFIED: | DWN W.LENKER 09/09/92 | TE Connectivity RECEPTACLE HOUSING, REVERSE SEX, SHELL SIZE 11, CPC |
| | 0 PLC ± - | CHK R.STONE 08/11/93 | |
| | 1 PLC ± - | APVD A.FRANTUM 08/13/93 | |
| | 2 PLC ± 0.13 [.005] | NAME | |
| MATERIAL NYLON, BLACK | FINISH - | PRODUCT SPEC 108-10024 | RESTRICTED TO - |
| | | APPLICATION SPEC - | SIZE A2 |
| | | WEIGHT - | CAGE CODE 00779 |
| | | CUSTOMER DRAWING | DRAWING NO C=206430 |
| | | | SCALE 2:1 |
| | | | SHEET 1 of 1 |
| | | | REV K |

Mouser Electronics

Authorized Distributor

Click to View Pricing, Inventory, Delivery & Lifecycle Information:

[TE Connectivity:](#)

[206430-2](#)