

CM5Y2UCYY12

4.8mm straw hat YELLOW led high brightness for advertising signs Light box led diode

Quick Details

Model Number: HG-CM5Y2UCYY12

Type: LED

Place of Origin: Guangdong, China

Brand Name: HG

Package Type: Through Hole

Application: LIGHTING

Max. Forward Voltage: 1.8-2.2V

Max. Reverse Voltage: 5V

Max. Forward Current: 15-20mA

Max. Reverse Current: 10uA

Chip Material: InGaN

Shape: Round

PINS: Short leg

Emitting color : Yellow

Wavelength : 588-594nm

Power : 0.04W

Package: Antistatic bag packing

Certification: CE & RoHS

Viewing Angle: 110°



HG-CM5Y2UCYY12

P/N: [Barcode]

WLD: 592-594 nm IV: 600-700 mcd
VF: 2.0-2.2 v IF: 15-20 mA

QTY: 1000Pcs

LOT NO: DNGY1212M 210822QCA-CN

HENG GUANG ELECTRONICS



ESD Sensitive Products !

Operation shall be carefully taken to avoid electrostatic discharge damage and over-voltage application.

User shall take absolutely secured counter-measures against ESD damage.





HENG GUAGN

WE HAVE MADE GREAT ACHIEVEMENTS

Listen to me

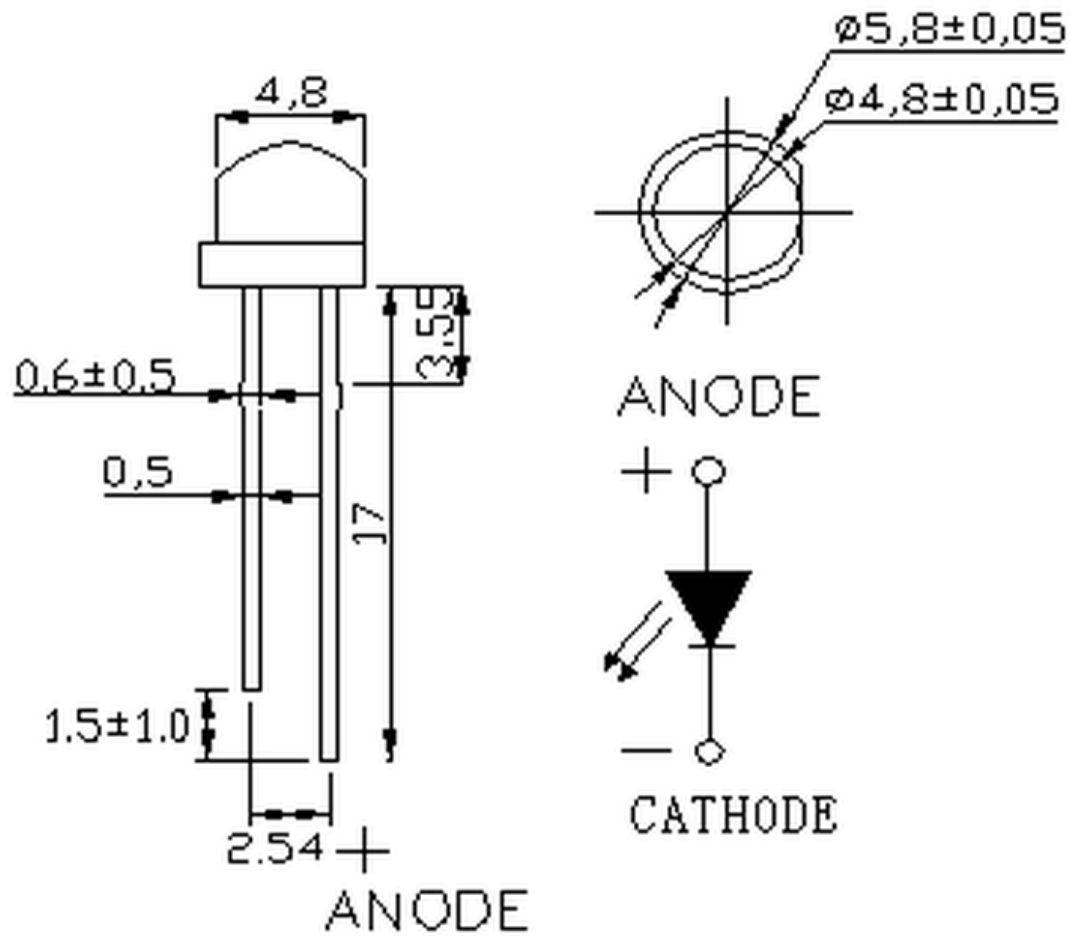
LED DIODE

LED DIODE



Specifications figure

LED DIODE



Product Feature

LED GROW LIGHT

Gold wire

Double gold wire welding, more reliable, more stable

Well chip

High color consistency, high quality, high lumen

Energy

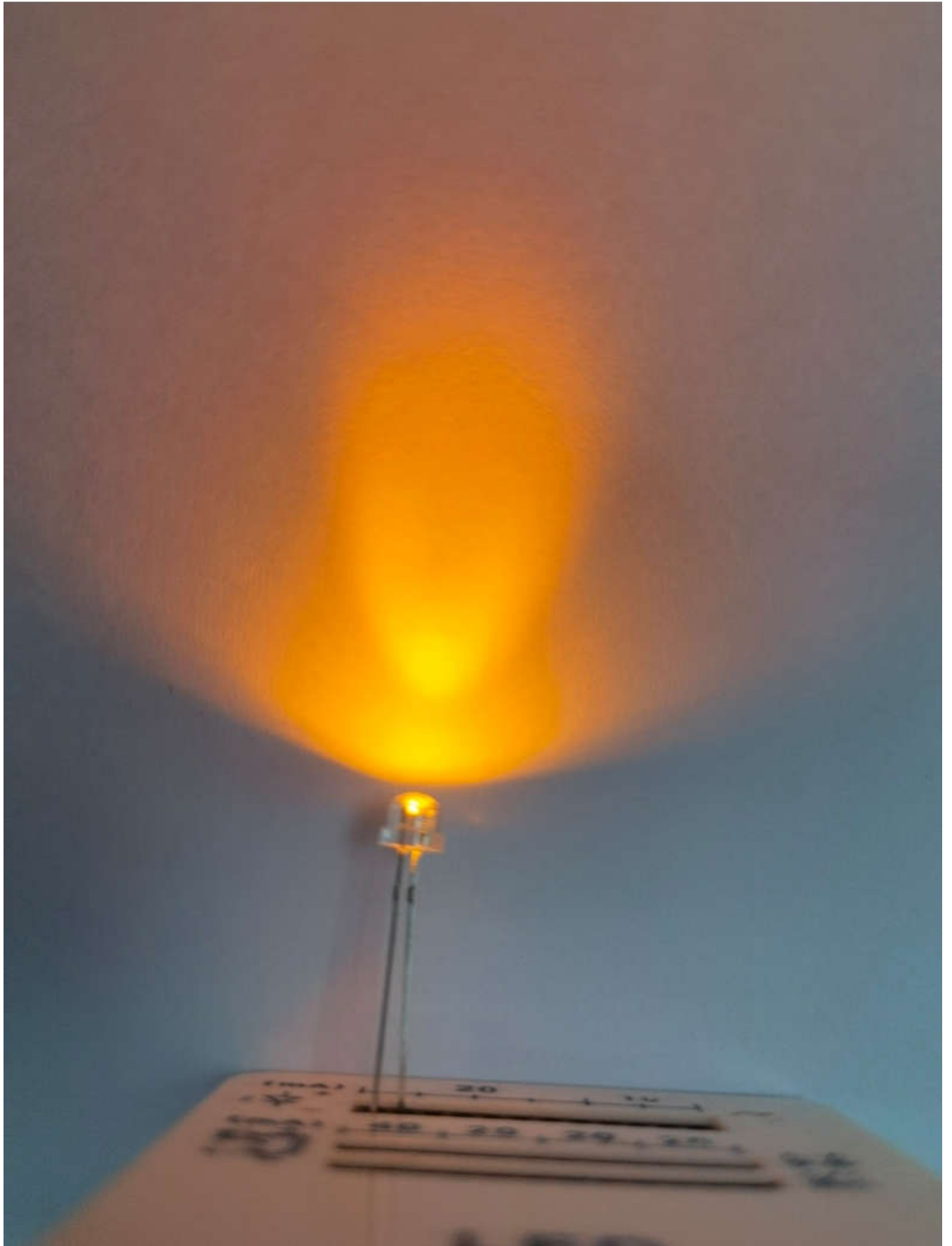
Safety, energy saving, high light efficiency

Instant-Start

Fast startup, under 100 ns



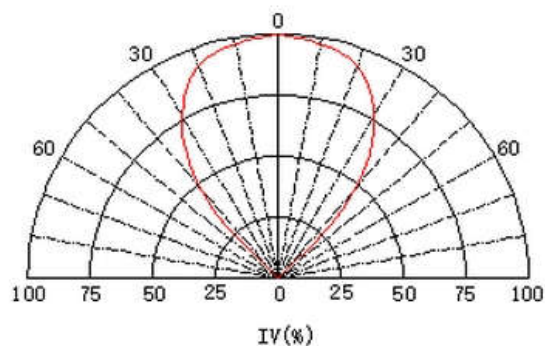
MODEL NUMBER	HG-CM5Y2UCYY12
POWER	0.004W
COLOR	YELLOW
BRIGHTNESS	600-700MCD
VOLTAGE	1.8-2.2V
CURRENT	20mA
AGNLE	110°



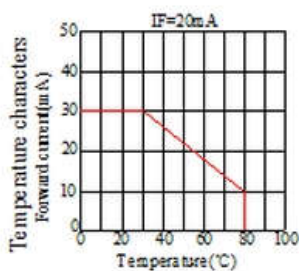
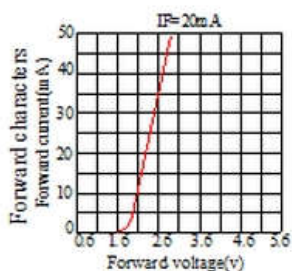
SPOTIAL DISTTRBUTION

LED DIODE

Spotial Distrbtion



Typical electrical-optical Characteristics curves



Notes:

The data are an typical presentation of the product, Contact customer service for details of technical information and warranty.
The product is sensitive to static antistatic operation environment is recommended
Products are shipped in either bulk bag package or taping.

