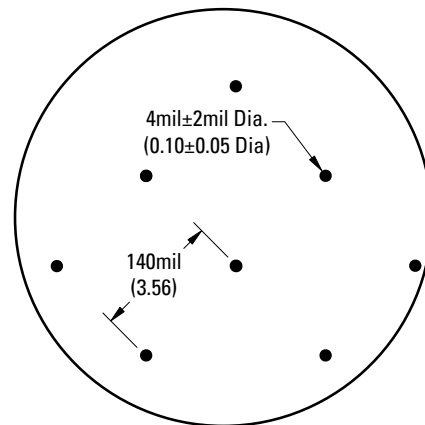
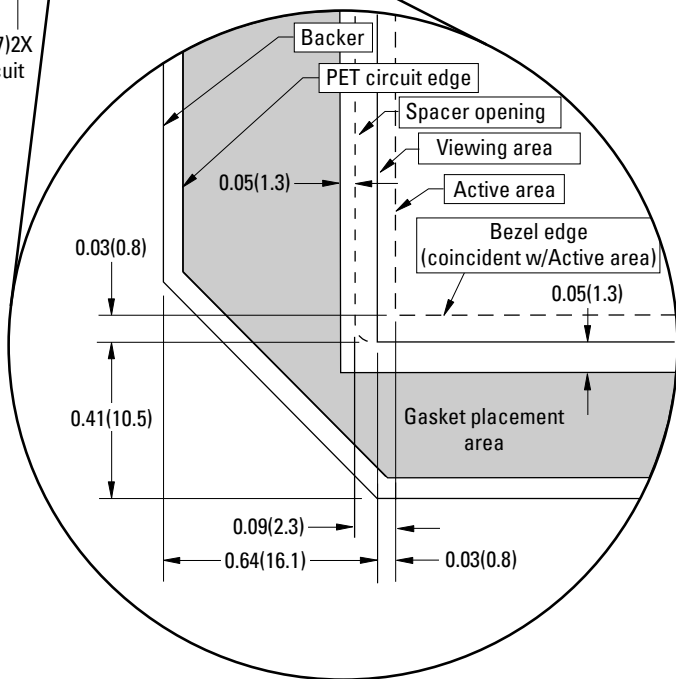
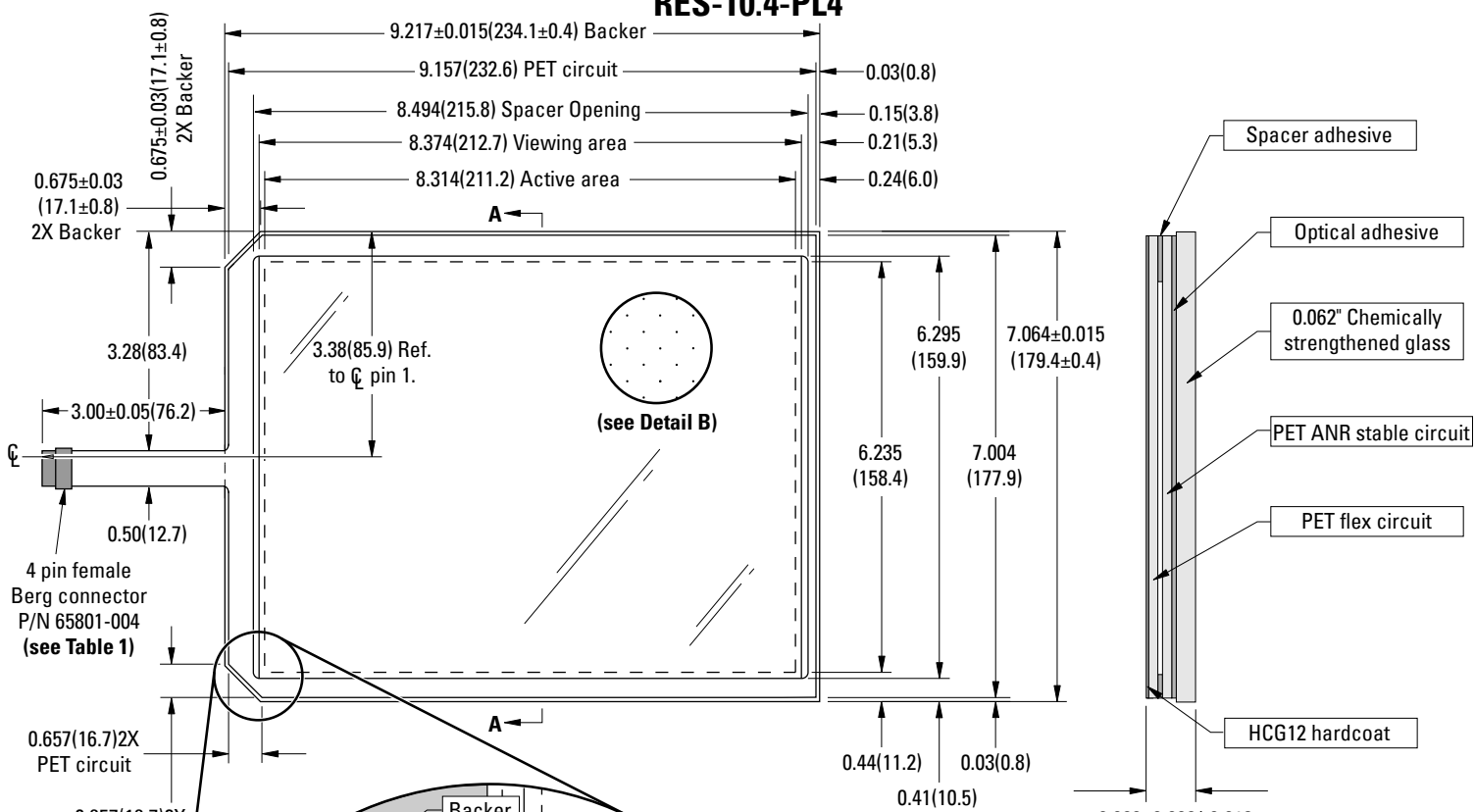


10 .4" Resistive Touch Screen RES-10.4-PL4



Detail B
(Dot information)

Tolerances

All tolerances unless otherwise stated, as follows:

Decimal tolerance	Tolerance
(1.)	±.05
(1.0)	±.05
(1.00)	±.03
(1.000)	±.010

All dimensions in inches (mm for reference only)
Not to scale

Pin#	Assignment
1	Top
2	Bottom
3	Left
4	Right

Table 1
(pin assignments)

Notes

- PL75 (75% Transmission)
- Workmanship standard per 3M Dynapro document PS014.
- Refer to:
 - 3M Dynapro Touch Screen Integration Guide.
 - Data sheet 1005 for hardcoat specifications.
 - Dynaclear-PL75 Resistive Touch Screen Specifications at www.dynapro.com
 - Stock touch screen drawing no. 95421-34
- Recognized to U.S. and Canadian requirements under the Component Recognition Program of Underwriters Laboratories Inc.

Call Toll-Free 1-888-222-9214
www.dynapro.com