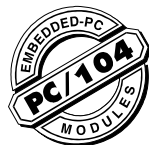


PCM-3341 STPC ATLAS PC/104 CPU Module with VGA/LCD/Ethernet/SSD



Startup Manual

Packing List

Before you begin installing your card, please make sure that the following materials have been shipped:

- 1 PCM-3341 all-in-one single board computer
- 1 Startup manual
- CD-ROM or disks for utility, drivers, and manual (in PDF format)
- 1 IDE flat cable, 44-pin to 44-pin p/n: 1701440504
- 1 Keyboard/PS2 mouse cable p/n: 1700060202
- 1 cable 6-pin(MINI-DIN) to 6-pin(Wafer 2.0mm) p/n: 1703060053
- 4 COM ports cable p/n: 1701400181
- 1 parallel cable p/n:1700260250
- 1 26-34 pin FDD cable converter p/n:9681000044
- 1 LAN cable p/n:1701100202
- KB/Mouse Y-cable EXT cable p/n:1703060053

Optional Accessories:

- USB cable p/n:1703100260
- RS-422/485 cable p/n:1703040157
- FFC cable for Slim FDD p/n:1701260125
- Flat cable for 5.25"&3.5" FDD p/n:1701340700
- FDD Convert Board p/n:9681000044

If any of these items are missing or damaged, contact your distributor or sales representative immediately.

Note 1: For detailed contents of the PCM-3341, please refer to the enclosed CD Disc or disk (in PDF format).

Note 2: Acrobat Reader is required to view any PDF file. Acrobat Reader can be downloaded at: www.adobe.com/Prodindex/acrobat/readstep.html(Acrobat is a trademark of Adobe).

For more information on this and other Advantech products, please visit our website at:

<http://www.advantech.com>

<http://www.advantech.com/epc>

For technical support and service, please visit our support website at:

<http://service.advantech.com.tw/eservice/>

This manual is for the PCM-3341 series Rev. A1.

Part No. 2006334100

1st Edition
Sep. 2004

Specifications

Standard SBC Functions

- **CPU:** STMicroelectronics, STPC ATLAS 133MHz CPU Module
- **BIOS:** Award 256KB Flash BIOS, support Plug & Play
- **System memory:** Onboard 32/64 MB system memory, default is 32MB
- **Enhanced IDE interface:** Support one EIDE devices. BIOS auto-detect, PIO Mode3 or Mode4 transfer.
- **FDD interface:** Support 3.5" FDD
- **WatchDog timer:** 63 scale, hardware reset and IRQ selection
- **Serial ports:** Three serial RS-232 ports and one RS-232/422/485 port
- **Parallel ports:** One parallel port, support SPP/EPP/ECP code
- **PC/104 expansion:**104-pin 16 bit PC/104 Module connectors
- **IrDA:** 115Kbps, IrDA 1.1 compliant
- **Keyboard/Mouse connector:** Support standard PC/AT keyboard and 1 PS/2 mouse
- **Power management:** Support power saving modes including Normal/Standby/Suspend modes. APM 1.1 compliant
- **USB:** 2 USB 1.1 compliant ports
- **Battery:** Lithium 3V/196 mAH

Display

- **Chipset:** STPC ATLAS support 18-bit TFT LCD of TTL interface panel
- **Memory size:** Shared memory Architecture, up to 4MB using system memory
- **Resolution:**
 - CRT Modes:**
 - Up to 1280 x 1024 at 75 Hz
 - LCD Modes:**
 - Up to 1024 x 768 and up to 18-bit TFT

LCD Interface

- **LCD Interface:** Hirose connector support 18-bit TFT LCD of TTL interface panel

Ethernet interface

- **Chipset:** RTL 8100BL
- **Ethernet interface:** PCI 10/100 Mbps Ethernet. IEEE 802.3u protocol compatible
- **Connection:** RJ-45 cable

Solid State Disk

- SSD Supports CompactFlash Card Type I/II(share 2nd IDE channel)

Mechanical and Environmental

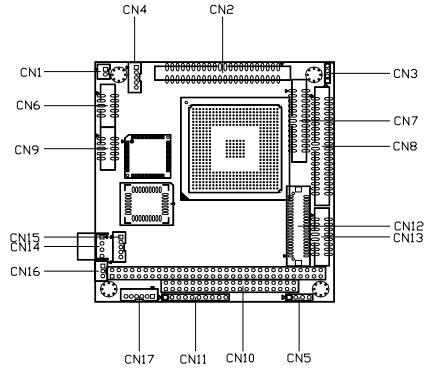
- **Dimensions (L x W):** 96 x 90 mm (3.8" x 3.5")
- **Weight:** 0.85Kg(weight of total package)
- **Operating Temperature:** 0 ~ 60°C(32~140°F)
- **Operating Humidity:** 0%~90% relative humidity, non-condensing
- **Power Supply Voltage:** 4-pin power connector, +5V ± 5%
- **Power Requirements:** (STPC ATLAS, 32M SDRAM)
Average: +5V @1.6A

Connectors

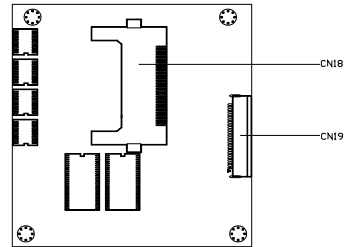
The table below lists the function of each of the jumpers and connectors.

Label	Function
CN1	System reset button
CN2	Primary IDE 44 pin connector
CN3	RS 422/485 connector
CN4	IR connector
CN5	Powerand Hdisk LED connector
CN6	LAN connector
CN7	Print port
CN8	4 COM port connector
CN9	USB connector
CN10	PC/104 connector
CN11	GPIO connector
CN12	TFT panel connector
CN13	VGA connector
CN14	Main power input connector
CN15	Panel back-light power
CN16	External -5V, -12V power input
CN17	KB/MS connector
CN18	CompactFlash card connector
CN19	Floppy

Locating Connectors

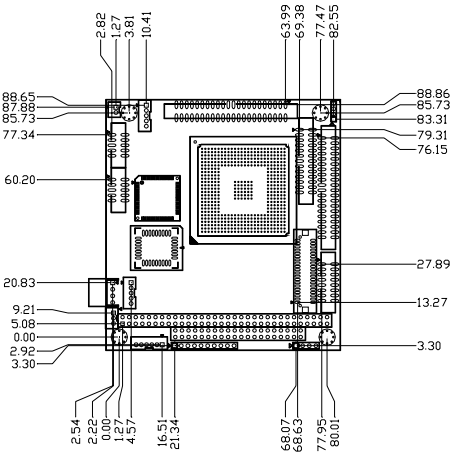


Locating Connectors(component side)

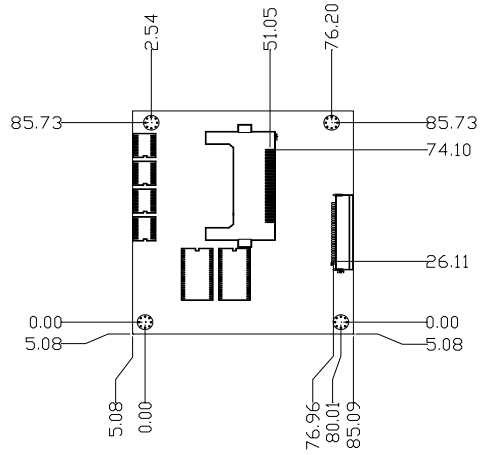


Locating Connectors(solder side)

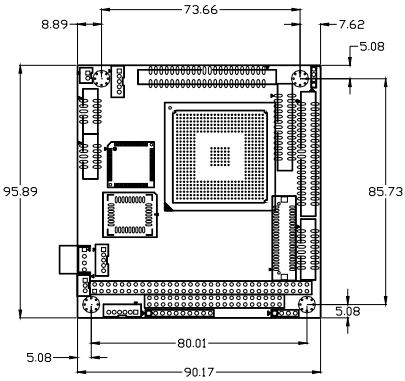
Board Dimensions



Board Dimensions(component side)



Board Dimensions(solder side)



Board Dimensions(component side)