



PIN FUSE (DIAMETER 0.5MM)

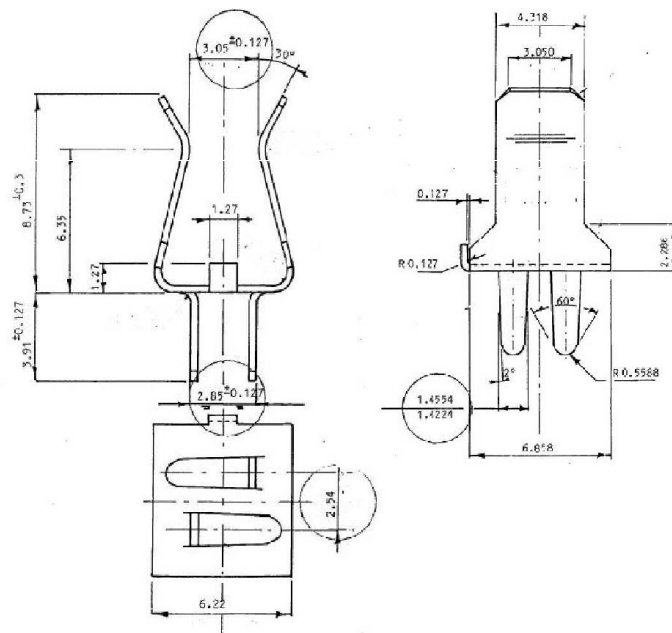
Circuit board fuse clips for 5 mm x 20 mm fuses

RoHS

Product Specifications

Environmental Data

- Storage temperature range :
-10 °C to +125 °C
- Normal operating temperature
+23 °C ±5 °C



Tolerance unless otherwise stated

1. Decimal Place ±0.25+

2. Decimal Place ±0.127

3. Decimal Place +0.076/-0.051

Life Support Policy: Eaton does not authorize the use of any of its products for use in life support devices or systems without the express written approval of an officer of the Company. Life support systems are devices which support or sustain life, and whose failure to perform, when properly used in accordance with instructions for use provided in the labeling, can be reasonably expected to result in significant injury to the user.

Eaton reserves the right, without notice, to change design or construction of any products and to discontinue or limit distribution of any products. Eaton also reserves the right to change or update, without notice, any technical information contained in this bulletin.