



WH06-2C 旋转式合成碳膜电位器

(WH06-2C ROTARY CARBON COMPOSITION POTENTIOMETERS)

一般事项

□此规格适用于电子设备之可变电阻器。

□使用温度范围：-25°~70°

General

-This specification is applied to potentiometers used for electronic equipment.

-Operating temperature: -25°~70°

特点

□长寿命, 低成本.

□品种规格多, 适用性强

□阻值线性多样化

□力矩小

Features

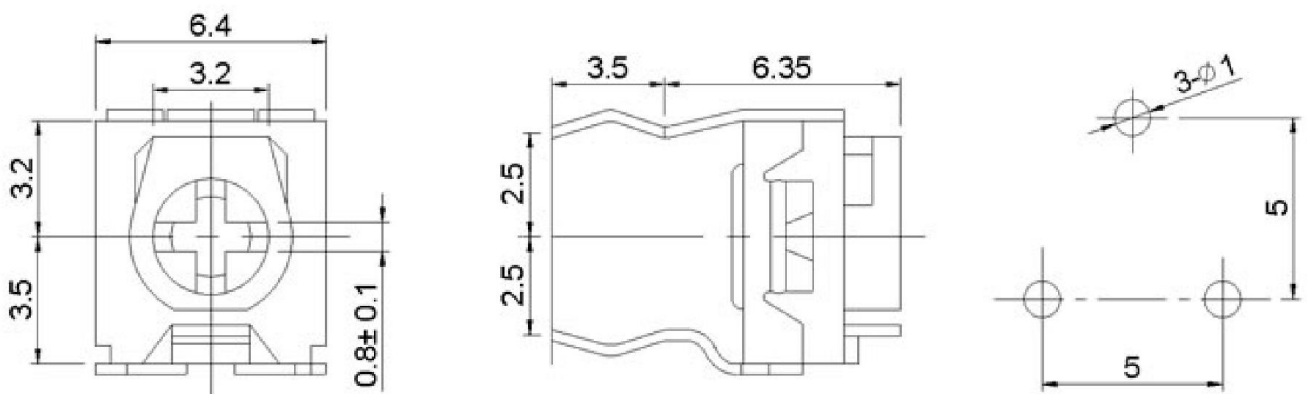
-Long life model, low cost

-Since a variety of types are available, they can be used for a wide range of products

-Special tapers

-Low torque option

外形图及安装孔尺寸 OUTLINE DRAWING AND MOUNTING HOLE DETAIL



性能说明 CHARACTERISTICS

	项目 ITEM	规格 SPECIFICATION
电气性能 Electrical Characteristics	额定功率 Rated Power	0.1W
	最大工作电压 Max Operation Voltage	DC 50V
	阻值范围 Resistance Range	1K Ω ~2M Ω
	阻值允许偏差 Allow Desistance Tolerance	$\pm 20\%$ (1M Ω or more30%)
	电气旋转角度 Electrical rotation angle	200 $^{\circ}$ $\pm 5^{\circ}$
	残留电阻 Residual Resistance	R<1K Ω :Max20 Ω R \geq 1K Ω : Max2% R
	电阻规律 Resistance Law	A(lin)、B(log)、C(Alog)
	平滑性 Equivalent Noise Resistance	$\leq 3\%$ Rn(3 Ω min.)
	焊接 Soldering	235 $^{\circ}$ C \pm 5 $^{\circ}$ C: ≤ 3 s
机械性能 Mechanical Characteristics	旋转力矩 Rotational Torque	2~35mN.m
	总旋转角度 Total Rotational Angle	240 $^{\circ}$ $\pm 5^{\circ}$
	机械耐久性 Mechanical Endurance	1,000cycles
	终端止挡强度 Shaft Stopper Strength	≥ 10 N.m