

## **FH1-200CZ-B fuse holder**



Applications : Household appliances, power supplies, communications, consumer electronics

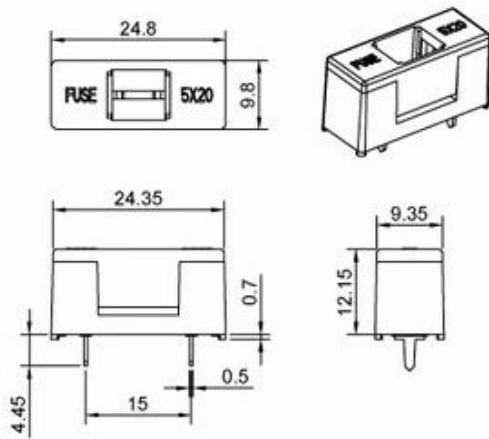
Safety certification : CUL, UL, VDE, CCC, CQC

Product material : plastic

Rated voltage : 125V 250V 350V

Rated current : 100mA-15A

## Detailed Description



### MATERIAL:

Housing:PBT,UL rated 94V2 min

Bayonet:PBT,UL rated 94V2 min

Terminal:Phosphor bronze,silver or tin plated

Fuse holder for overload protection

Rating: 10A 250VAC (UL,CUL)

Fuse:Ø5.0x20mm



Operating Temperature:-10℃~+70℃

Dielectric Strength: 1500VAC 1 minute



### P.C.B.LAYOUT

