



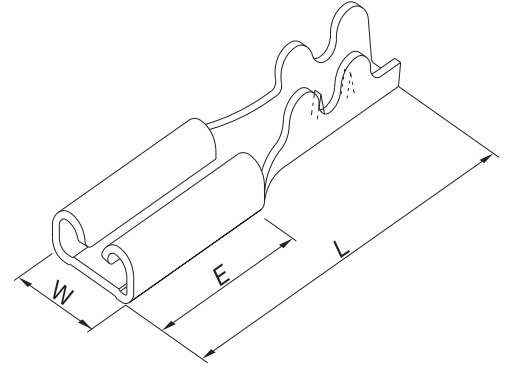
TD - TERMINAL DIŐI
GRUBU
FAST ON TYPE

YASSI GEÇME TİPİ TERMİNAL SERİSİ / FAST-ON RECEPTACLES SERIES

2.8 mm TD 2100 SERİSİ / TD 2100 SERIES

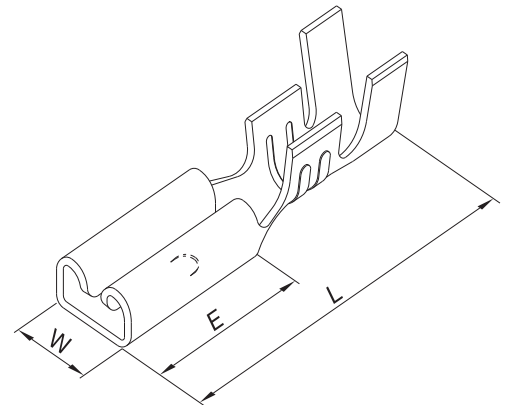
| ÜRÜN KODU PRODUCT CODE | ÜRÜN TANIMI PRODUCT DESCRIPTION | L | E | W | KABLO KESİTİ WIRE SIZE (mm ²) | MALZEME MATERIAL | MALZEME KALINLIĞI MATERIAL THICKNES | KAPLAMA PLATING | DÖKME LOOSE | RULO CHAIN |
|------------------------------|---------------------------------------|-------|------|------|---|---------------------|--|--------------------|----------------|---------------|
| TD 2101 DP | TELEFON KLİPSİ DİŞİ =DP= | 14.60 | 6.60 | 4.10 | 0.50 - 1 | CuZn | 0.30 | - | 1000 | - |
| TD 2101 DPK | TELEFON KLİPSİ DİŞİ =DPK= | 14.60 | 6.60 | 4.10 | 0.50 - 1 | CuZn | 0.30 | Sn | 1000 | - |
| TD 2101 DPG | TELEFON KLİPSİ DİŞİ =DPG= | 14.60 | 6.60 | 4.10 | 0.50 - 1 | CuZn | 0.30 | Ag | 1000 | - |
| TD 2101 DPN | TELEFON KLİPSİ DİŞİ =DPN= | 14.60 | 6.60 | 4.10 | 0.50 - 1 | CuZn | 0.30 | Ni | 1000 | - |
| TD 2101 RP | TELEFON KLİPSİ DİŞİ =RP= | 14.60 | 6.60 | 4.10 | 0.50 - 1 | CuZn | 0.30 | - | - | 20,000 |
| TD 2101 RPK | TELEFON KLİPSİ DİŞİ =RPK= | 14.60 | 6.60 | 4.10 | 0.50 - 1 | CuZn | 0.30 | Sn | - | 20,000 |
| TD 2101 RPG | TELEFON KLİPSİ DİŞİ =RPG= | 14.60 | 6.60 | 4.10 | 0.50 - 1 | CuZn | 0.30 | Ag | - | 20,000 |
| TD 2101 RPN | TELEFON KLİPSİ DİŞİ =RPN= | 14.60 | 6.60 | 4.10 | 0.50 - 1 | CuZn | 0.30 | Ni | - | 20,000 |

TELEFON KLİPSİ DİŞİ



| ÜRÜN KODU PRODUCT CODE | ÜRÜN TANIMI PRODUCT DESCRIPTION | L | E | W | KABLO KESİTİ WIRE SIZE (mm ²) | MALZEME MATERIAL | MALZEME KALINLIĞI MATERIAL THICKNES | KAPLAMA PLATING | DÖKME LOOSE | RULO CHAIN |
|------------------------------|---------------------------------------|-------|------|------|---|---------------------|--|--------------------|----------------|---------------|
| TD 2102 DP | MİKRO DİŞİ FİŞ 2.8 =DP= | 13.80 | 6.10 | 3.80 | 0.50 - 1 | CuZn | 0.30 | - | 1000 | - |
| TD 2102 DPK | MİKRO DİŞİ FİŞ 2.8 =DPK= | 13.80 | 6.10 | 3.80 | 0.50 - 1 | CuZn | 0.30 | Sn | 1000 | - |
| TD 2102 DPG | MİKRO DİŞİ FİŞ 2.8 =DPG= | 13.80 | 6.10 | 3.80 | 0.50 - 1 | CuZn | 0.30 | Ag | 1000 | - |
| TD 2102 DPN | MİKRO DİŞİ FİŞ 2.8 =DPN= | 13.80 | 6.10 | 3.80 | 0.50 - 1 | CuZn | 0.30 | Ni | 1000 | - |
| TD 2102 RP | MİKRO DİŞİ FİŞ 2.8 =RP= | 13.80 | 6.10 | 3.80 | 0.50 - 1 | CuZn | 0.30 | - | - | 15,000 |
| TD 2102 RPK | MİKRO DİŞİ FİŞ 2.8 =RPK= | 13.80 | 6.10 | 3.80 | 0.50 - 1 | CuZn | 0.30 | Sn | - | 15,000 |
| TD 2102 RPG | MİKRO DİŞİ FİŞ 2.8 =RPG= | 13.80 | 6.10 | 3.80 | 0.50 - 1 | CuZn | 0.30 | Ag | - | 15,000 |
| TD 2102 RPN | MİKRO DİŞİ FİŞ 2.8 =RPN= | 13.80 | 6.10 | 3.80 | 0.50 - 1 | CuZn | 0.30 | Ni | - | 15,000 |

MİKRO DİŞİ FİŞ 2.8

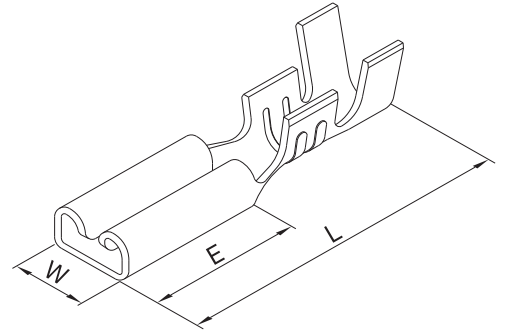


YASSI GEÇME TİPİ TERMİNAL SERİSİ / FAST-ON RECEPTACLES SERIES

2.8 mm TD 2100 SERİSİ / TD 2100 SERIES

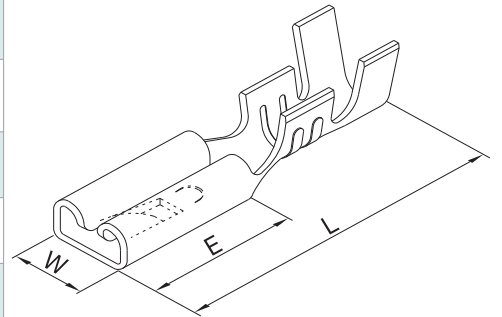
| ÜRÜN KODU PRODUCT CODE | ÜRÜN TANIMI PRODUCT DESCRIPTION | L | E | W | KABLO KESİTİ WIRE SIZE (mm ²) | MALZEME MATERIAL | MALZEME KALINLIĞI MATERIAL THICKNES | KAPLAMA PLATING | DÖKME LOOSE | RULO CHAIN |
|------------------------------|---------------------------------------|-------|------|------|---|---------------------|--|--------------------|----------------|---------------|
| TD 2103 DP | MİKRO DİŞİ FİŞ NOKTASIZ 2.8 =DP= | 13.80 | 6.10 | 3.80 | 0.50 - 1 | CuZn | 0.30 | - | 1000 | - |
| TD 2103 DPK | MİKRO DİŞİ FİŞ NOKTASIZ 2.8 =DPK= | 13.80 | 6.10 | 3.80 | 0.50 - 1 | CuZn | 0.30 | Sn | 1000 | - |
| TD 2103 DPG | MİKRO DİŞİ FİŞ NOKTASIZ 2.8 =DPG= | 13.80 | 6.10 | 3.80 | 0.50 - 1 | CuZn | 0.30 | Ag | 1000 | - |
| TD 2103 DPN | MİKRO DİŞİ FİŞ NOKTASIZ 2.8 =DPN= | 13.80 | 6.10 | 3.80 | 0.50 - 1 | CuZn | 0.30 | Ni | 1000 | - |
| TD 2103 RP | MİKRO DİŞİ FİŞ NOKTASIZ 2.8 =RP= | 13.80 | 6.10 | 3.80 | 0.50 - 1 | CuZn | 0.30 | - | - | 15,000 |
| TD 2103 RPK | MİKRO DİŞİ FİŞ NOKTASIZ 2.8 =RPK= | 13.80 | 6.10 | 3.80 | 0.50 - 1 | CuZn | 0.30 | Sn | - | 15,000 |
| TD 2103 RPG | MİKRO DİŞİ FİŞ NOKTASIZ 2.8 =RPG= | 13.80 | 6.10 | 3.80 | 0.50 - 1 | CuZn | 0.30 | Ag | - | 15,000 |
| TD 2103 RPN | MİKRO DİŞİ FİŞ NOKTASIZ 2.8 =RPN= | 13.80 | 6.10 | 3.80 | 0.50 - 1 | CuZn | 0.30 | Ni | - | 15,000 |

MİKRO DİŞİ FİŞ NOKTASIZ 2.8



| ÜRÜN KODU PRODUCT CODE | ÜRÜN TANIMI PRODUCT DESCRIPTION | L | E | W | KABLO KESİTİ WIRE SIZE (mm ²) | MALZEME MATERIAL | MALZEME KALINLIĞI MATERIAL THICKNES | KAPLAMA PLATING | DÖKME LOOSE | RULO CHAIN |
|------------------------------|---------------------------------------|-------|------|------|---|---------------------|--|--------------------|----------------|---------------|
| TD 2104 DP | MİKRO DİŞİ FİŞ TIRNAKLI 2.8 =DP= | 13.80 | 6.10 | 3.80 | 0.50 - 1 | CuZn | 0.30 | - | 1000 | - |
| TD 2104 DPK | MİKRO DİŞİ FİŞ TIRNAKLI 2.8 =DPK= | 13.80 | 6.10 | 3.80 | 0.50 - 1 | CuZn | 0.30 | Sn | 1000 | - |
| TD 2104 DPG | MİKRO DİŞİ FİŞ TIRNAKLI 2.8 =DPG= | 13.80 | 6.10 | 3.80 | 0.50 - 1 | CuZn | 0.30 | Ag | 1000 | - |
| TD 2104 DPN | MİKRO DİŞİ FİŞ TIRNAKLI 2.8 =DPN= | 13.80 | 6.10 | 3.80 | 0.50 - 1 | CuZn | 0.30 | Ni | 1000 | - |
| TD 2104 RP | MİKRO DİŞİ FİŞ TIRNAKLI 2.8 =RP= | 13.80 | 6.10 | 3.80 | 0.50 - 1 | CuZn | 0.30 | - | - | 15,000 |
| TD 2104 RPK | MİKRO DİŞİ FİŞ TIRNAKLI 2.8 =RPK= | 13.80 | 6.10 | 3.80 | 0.50 - 1 | CuZn | 0.30 | Sn | - | 15,000 |
| TD 2104 RPG | MİKRO DİŞİ FİŞ TIRNAKLI 2.8 =RPG= | 13.80 | 6.10 | 3.80 | 0.50 - 1 | CuZn | 0.30 | Ag | - | 15,000 |
| TD 2104 RPN | MİKRO DİŞİ FİŞ TIRNAKLI 2.8 =RPN= | 13.80 | 6.10 | 3.80 | 0.50 - 1 | CuZn | 0.30 | Ni | - | 15,000 |

MİKRO DİŞİ FİŞ TIRNAKLI 2.8

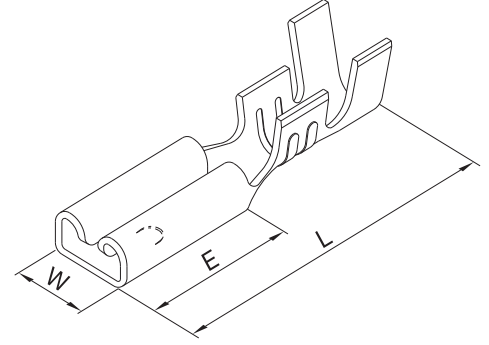


YASSI GEÇME TİPİ TERMİNAL SERİSİ / FAST-ON RECEPTACLES SERIES

2.8 mm TD 2100 SERİSİ / TD 2100 SERIES

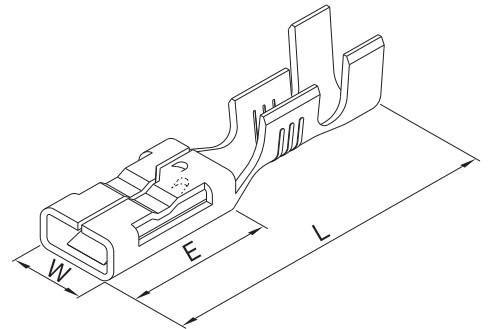
| ÜRÜN KODU PRODUCT CODE | ÜRÜN TANIMI PRODUCT DESCRIPTION | L | E | W | KABLO KESİTİ WIRE SIZE (mm ²) | MALZEME MATERIAL | MALZEME KALINLIĞI MATERIAL THICKNESS | KAPLAMA PLATING | DÖKME LOOSE | RULO CHAIN |
|------------------------------|--|-------|------|------|---|---------------------|---|--------------------|----------------|---------------|
| TD 2105 DP | MİKRO DİŞİ FİŞ ORTA NOKTA 2.8 =DP= | 13.80 | 6.10 | 3.80 | 0.50 - 1 | CuZn | 0.30 | - | 1000 | - |
| TD 2105 DPK | MİKRO DİŞİ FİŞ ORTA NOKTA 2.8 =DPK= | 13.80 | 6.10 | 3.80 | 0.50 - 1 | CuZn | 0.30 | Sn | 1000 | - |
| TD 2105 DPG | MİKRO DİŞİ FİŞ ORTA NOKTA 2.8 =DPG= | 13.80 | 6.10 | 3.80 | 0.50 - 1 | CuZn | 0.30 | Ag | 1000 | - |
| TD 2105 DPN | MİKRO DİŞİ FİŞ ORTA NOKTA 2.8 =DPN= | 13.80 | 6.10 | 3.80 | 0.50 - 1 | CuZn | 0.30 | Ni | 1000 | - |
| TD 2105 RP | MİKRO DİŞİ FİŞ ORTA NOKTA 2.8 =RP= | 13.80 | 6.10 | 3.80 | 0.50 - 1 | CuZn | 0.30 | - | - | 15,000 |
| TD 2105 RPK | MİKRO DİŞİ FİŞ ORTA NOKTA 2.8 =RPK= | 13.80 | 6.10 | 3.80 | 0.50 - 1 | CuZn | 0.30 | Sn | - | 15,000 |
| TD 2105 RPG | MİKRO DİŞİ FİŞ ORTA NOKTA 2.8 =RPG= | 13.80 | 6.10 | 3.80 | 0.50 - 1 | CuZn | 0.30 | Ag | - | 15,000 |
| TD 2105 RPN | MİKRO DİŞİ FİŞ ORTA NOKTA 2.8 =RPN= | 13.80 | 6.10 | 3.80 | 0.50 - 1 | CuZn | 0.30 | Ni | - | 15,000 |

MİKRO DİŞİ FİŞ ORTA NOKTA 2.8



| ÜRÜN KODU PRODUCT CODE | ÜRÜN TANIMI PRODUCT DESCRIPTION | L | E | W | KABLO KESİTİ WIRE SIZE (mm ²) | MALZEME MATERIAL | MALZEME KALINLIĞI MATERIAL THICKNESS | KAPLAMA PLATING | DÖKME LOOSE | RULO CHAIN |
|------------------------------|---------------------------------------|-------|------|------|---|---------------------|---|--------------------|----------------|---------------|
| TD 2106 DP | YASSI KİLİTLİ DİŞİ FİŞ 2.8 =DP= | 14.30 | 6.30 | 3.80 | 0.50 - 1 | CuZn | 0.30 | - | 1000 | - |
| TD 2106 DPK | YASSI KİLİTLİ DİŞİ FİŞ 2.8 =DPK= | 14.30 | 6.30 | 3.80 | 0.50 - 1 | CuZn | 0.30 | Sn | 1000 | - |
| TD 2106 DPG | YASSI KİLİTLİ DİŞİ FİŞ 2.8 =DPG= | 14.30 | 6.30 | 3.80 | 0.50 - 1 | CuZn | 0.30 | Ag | 1000 | - |
| TD 2106 DPN | YASSI KİLİTLİ DİŞİ FİŞ 2.8 =DPN= | 14.30 | 6.30 | 3.80 | 0.50 - 1 | CuZn | 0.30 | Ni | 1000 | - |
| TD 2106 RP | YASSI KİLİTLİ DİŞİ FİŞ 2.8 =RP= | 14.30 | 6.30 | 3.80 | 0.50 - 1 | CuZn | 0.30 | - | - | 15,000 |
| TD 2106 RPK | YASSI KİLİTLİ DİŞİ FİŞ 2.8 =RPK= | 14.30 | 6.30 | 3.80 | 0.50 - 1 | CuZn | 0.30 | Sn | - | 15,000 |
| TD 2106 RPG | YASSI KİLİTLİ DİŞİ FİŞ 2.8 =RPG= | 14.30 | 6.30 | 3.80 | 0.50 - 1 | CuZn | 0.30 | Ag | - | 15,000 |
| TD 2106 RPN | YASSI KİLİTLİ DİŞİ FİŞ 2.8 =RPN= | 14.30 | 6.30 | 3.80 | 0.50 - 1 | CuZn | 0.30 | Ni | - | 15,000 |

YASSI KİLİTLİ DİŞİ FİŞ 2.8

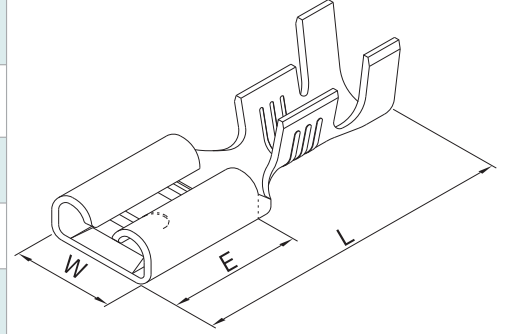


YASSI GEÇME TİPİ TERMİNAL SERİSİ / FAST-ON RECEPTACLES SERIES

4.8 mm TD 2100 SERİSİ / TD 2100 SERIES

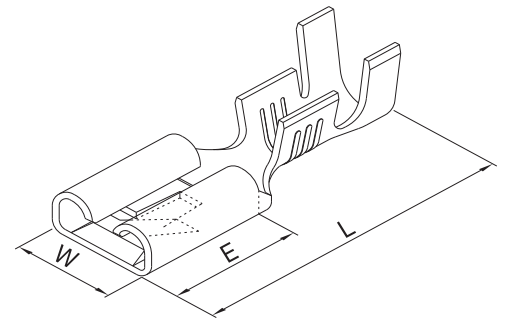
| ÜRÜN KODU PRODUCT CODE | ÜRÜN TANIMI PRODUCT DESCRIPTION | L | E | W | KABLO KESİTİ WIRE SIZE (mm ²) | MALZEME MATERIAL | MALZEME KALINLIĞI MATERIAL THICKNES | KAPLAMA PLATING | DÖKME LOOSE | RULO CHAIN |
|------------------------------|---------------------------------------|-------|------|------|---|---------------------|--|--------------------|----------------|---------------|
| TD 2107 DP | MİNi DİŞİ FİŞ 4.8 =DP= | 15.20 | 6.30 | 5.80 | 0.50 - 1 | CuZn | 0.35 | - | 500 | - |
| TD 2107 DPK | MİNi DİŞİ FİŞ 4.8 =DPK= | 15.20 | 6.30 | 5.80 | 0.50 - 1 | CuZn | 0.35 | Sn | 500 | - |
| TD 2107 DPG | MİNi DİŞİ FİŞ 4.8 =DPG= | 15.20 | 6.30 | 5.80 | 0.50 - 1 | CuZn | 0.35 | Ag | 500 | - |
| TD 2107 DPN | MİNi DİŞİ FİŞ 4.8 =DPN= | 15.20 | 6.30 | 5.80 | 0.50 - 1 | CuZn | 0.35 | Ni | 500 | - |
| TD 2107 RP | MİNi DİŞİ FİŞ 4.8 =RP= | 15.20 | 6.30 | 5.80 | 0.50 - 1 | CuZn | 0.35 | - | - | 10,000 |
| TD 2107 RPK | MİNi DİŞİ FİŞ 4.8 =RPK= | 15.20 | 6.30 | 5.80 | 0.50 - 1 | CuZn | 0.35 | Sn | - | 10,000 |
| TD 2107 RPG | MİNi DİŞİ FİŞ 4.8 =RPG= | 15.20 | 6.30 | 5.80 | 0.50 - 1 | CuZn | 0.35 | Ag | - | 10,000 |
| TD 2107 RPN | MİNi DİŞİ FİŞ 4.8 =RPN= | 15.20 | 6.30 | 5.80 | 0.50 - 1 | CuZn | 0.35 | Ni | - | 10,000 |

MINİ DİŞİ FİŞ 4.8



| ÜRÜN KODU PRODUCT CODE | ÜRÜN TANIMI PRODUCT DESCRIPTION | L | E | W | KABLO KESİTİ WIRE SIZE (mm ²) | MALZEME MATERIAL | MALZEME KALINLIĞI MATERIAL THICKNES | KAPLAMA PLATING | DÖKME LOOSE | RULO CHAIN |
|------------------------------|---------------------------------------|-------|------|------|---|---------------------|--|--------------------|----------------|---------------|
| TD 2108 DP | MİNi DİŞİ FİŞ TIRNAKLI 4.8 =DP= | 15.20 | 6.30 | 5.80 | 0.50 - 1 | CuZn | 0.35 | - | 500 | - |
| TD 2108 DPK | MİNi DİŞİ FİŞ TIRNAKLI 4.8 =DPK= | 15.20 | 6.30 | 5.80 | 0.50 - 1 | CuZn | 0.35 | Sn | 500 | - |
| TD 2108 DPG | MİNi DİŞİ FİŞ TIRNAKLI 4.8 =DPG= | 15.20 | 6.30 | 5.80 | 0.50 - 1 | CuZn | 0.35 | Ag | 500 | - |
| TD 2108 DPN | MİNi DİŞİ FİŞ TIRNAKLI 4.8 =DPN= | 15.20 | 6.30 | 5.80 | 0.50 - 1 | CuZn | 0.35 | Ni | 500 | - |
| TD 2108 RP | MİNi DİŞİ FİŞ TIRNAKLI 4.8 =RP= | 15.20 | 6.30 | 5.80 | 0.50 - 1 | CuZn | 0.35 | - | - | 10,000 |
| TD 2108 RPK | MİNi DİŞİ FİŞ TIRNAKLI 4.8 =RPK= | 15.20 | 6.30 | 5.80 | 0.50 - 1 | CuZn | 0.35 | Sn | - | 10,000 |
| TD 2108 RPG | MİNi DİŞİ FİŞ TIRNAKLI 4.8 =RPG= | 15.20 | 6.30 | 5.80 | 0.50 - 1 | CuZn | 0.35 | Ag | - | 10,000 |
| TD 2108 RPN | MİNi DİŞİ FİŞ TIRNAKLI 4.8 =RPN= | 15.20 | 6.30 | 5.80 | 0.50 - 1 | CuZn | 0.35 | Ni | - | 10,000 |

MINİ DİŞİ FİŞ TIRNAKLI 4.8

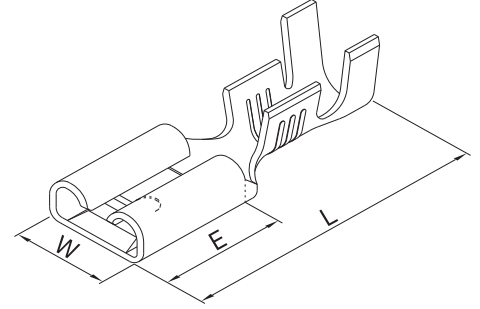


YASSI GEÇME TİPİ TERMİNAL SERİSİ / FAST-ON RECEPTACLES SERIES

4.8 mm TD 2100 SERİSİ / TD 2100 SERIES

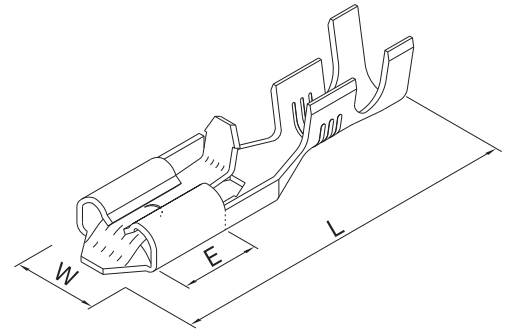
| ÜRÜN KODU PRODUCT CODE | ÜRÜN TANIMI PRODUCT DESCRIPTION | L | E | W | KABLO KESİTİ WIRE SIZE (mm ²) | MALZEME MATERIAL | MALZEME KALINLIĞI MATERIAL THICKNES | KAPLAMA PLATING | DÖKME LOOSE | RULO CHAIN |
|------------------------------|---------------------------------------|-------|------|------|---|---------------------|--|--------------------|----------------|---------------|
| TD 2109 DP | MİNİ DİŞİ FİŞ TEK ZIMBA 4.8 =DP= | 15.80 | 6.30 | 6.00 | 0.50 - 1 | CuZn | 0.35 | - | 500 | - |
| TD 2109 DPK | MİNİ DİŞİ FİŞ TEK ZIMBA 4.8 =DPK= | 15.80 | 6.30 | 6.00 | 0.50 - 1 | CuZn | 0.35 | Sn | 500 | - |
| TD 2109 DPG | MİNİ DİŞİ FİŞ TEK ZIMBA 4.8 =DPG= | 15.80 | 6.30 | 6.00 | 0.50 - 1 | CuZn | 0.35 | Ag | 500 | - |
| TD 2109 DPN | MİNİ DİŞİ FİŞ TEK ZIMBA 4.8 =DPN= | 15.80 | 6.30 | 6.00 | 0.50 - 1 | CuZn | 0.35 | Ni | 500 | - |
| TD 2109 RP | MİNİ DİŞİ FİŞ TEK ZIMBA 4.8 =RP= | 15.80 | 6.30 | 6.00 | 0.50 - 1 | CuZn | 0.35 | - | - | 10,000 |
| TD 2109 RPK | MİNİ DİŞİ FİŞ TEK ZIMBA 4.8 =RPK= | 15.80 | 6.30 | 6.00 | 0.50 - 1 | CuZn | 0.35 | Sn | - | 10,000 |
| TD 2109 RPG | MİNİ DİŞİ FİŞ TEK ZIMBA 4.8 =RPG= | 15.80 | 6.30 | 6.00 | 0.50 - 1 | CuZn | 0.35 | Ag | - | 10,000 |
| TD 2109 RPN | MİNİ DİŞİ FİŞ TEK ZIMBA 4.8 =RPN= | 15.80 | 6.30 | 6.00 | 0.50 - 1 | CuZn | 0.35 | Ni | - | 10,000 |

MİNİ DİŞİ FİŞ TEK ZIMBA 4.8



| ÜRÜN KODU PRODUCT CODE | ÜRÜN TANIMI PRODUCT DESCRIPTION | L | E | W | KABLO KESİTİ WIRE SIZE (mm ²) | MALZEME MATERIAL | MALZEME KALINLIĞI MATERIAL THICKNES | KAPLAMA PLATING | DÖKME LOOSE | RULO CHAIN |
|------------------------------|---------------------------------------|-------|------|------|---|---------------------|--|--------------------|----------------|---------------|
| TD 2110 RP | MİNİ DİŞİ FİŞ KİLİTLİ 4.8 =RP= | 20.80 | 5.00 | 5.80 | 0.50-1.5 | CuZn | 0.35 | - | - | 8.000 |
| TD 2110 RPK | MİNİ DİŞİ FİŞ KİLİTLİ 4.8 =RPK= | 20.80 | 5.00 | 5.80 | 0.50-1.5 | CuZn | 0.35 | Sn | - | 8.000 |
| TD 2110 RPG | MİNİ DİŞİ FİŞ KİLİTLİ 4.8 =RPG= | 20.80 | 5.00 | 5.80 | 0.50-1.5 | CuZn | 0.35 | Ag | - | 8.000 |
| TD 2110 RPN | MİNİ DİŞİ FİŞ KİLİTLİ 4.8 =RPN= | 20.80 | 5.00 | 5.80 | 0.50-1.5 | CuZn | 0.35 | Ni | - | 8.000 |

MİNİ DİŞİ FİŞ KİLİTLİ 4.8

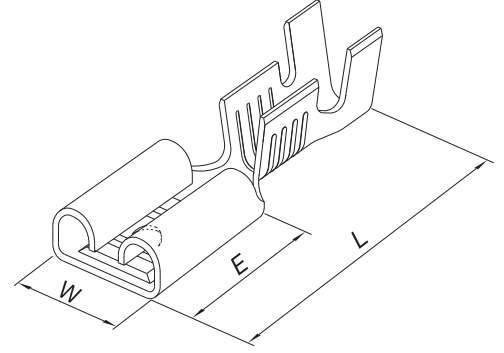


YASSI GEÇME TİPİ TERMİNAL SERİSİ / FAST-ON RECEPTACLES SERIES

6.3 mm TD 2100 SERİSİ / TD 2100 SERIES

| ÜRÜN KODU PRODUCT CODE | ÜRÜN TANIMI PRODUCT DESCRIPTION | L | E | W | KABLO KESİTİ WIRE SIZE (mm ²) | MALZEME MATERIAL | MALZEME KALINLIĞI MATERIAL THICKNES | KAPLAMA PLATING | DÖKME LOOSE | RULO CHAIN |
|------------------------------|---------------------------------------|-------|------|------|---|---------------------|--|--------------------|----------------|---------------|
| TD 2111 DP | STANDART Dişi Fiş 6.3 =DP= | 18.80 | 7.60 | 7.70 | 1 - 2,5 | CuZn | 0.38 | - | 300 | - |
| TD 2111 DPK | STANDART Dişi Fiş 6.3 =DPK= | 18.80 | 7.60 | 7.70 | 1 - 2,5 | CuZn | 0.38 | Sn | 300 | - |
| TD 2111 DPG | STANDART Dişi Fiş 6.3 =DPG= | 18.80 | 7.60 | 7.70 | 1 - 2,5 | CuZn | 0.38 | Ag | 300 | - |
| TD 2111 DPN | STANDART Dişi Fiş 6.3 =DPN= | 18.80 | 7.60 | 7.70 | 1 - 2,5 | CuZn | 0.38 | Ni | 300 | - |
| TD 2111 RP | STANDART Dişi Fiş 6.3 =RP= | 18.80 | 7.60 | 7.70 | 1 - 2,5 | CuZn | 0.38 | - | - | 7,000 |
| TD 2111 RPK | STANDART Dişi Fiş 6.3 =RPK= | 18.80 | 7.60 | 7.70 | 1 - 2,5 | CuZn | 0.38 | Sn | - | 7,000 |
| TD 2111 RPG | STANDART Dişi Fiş 6.3 =RPG= | 18.80 | 7.60 | 7.70 | 1 - 2,5 | CuZn | 0.38 | Ag | - | 7,000 |
| TD 2111 RPN | STANDART Dişi Fiş 6.3 =RPN= | 18.80 | 7.60 | 7.70 | 1 - 2,5 | CuZn | 0.38 | Ni | - | 7,000 |

STANDART Dişi Fiş 6.3



Alternatif Malzeme Kalınlıkları

Alternative Material Thickness

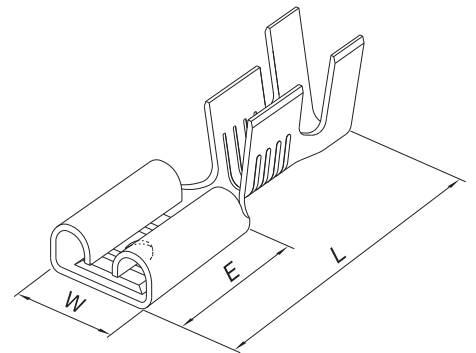
MS 2111 - (0.30 Malzeme)

MT 2111 - (0.35 Malzeme)

MF 2111 - (0.40 Malzeme)

| ÜRÜN KODU PRODUCT CODE | ÜRÜN TANIMI PRODUCT DESCRIPTION | L | E | W | KABLO KESİTİ WIRE SIZE (mm ²) | MALZEME MATERIAL | MALZEME KALINLIĞI MATERIAL THICKNES | KAPLAMA PLATING | DÖKME LOOSE | RULO CHAIN |
|------------------------------|---------------------------------------|-------|------|------|---|---------------------|--|--------------------|----------------|---------------|
| TD 2112 DP | STANDART Dişi Fiş B.A. 6.3 =DP= | 19.60 | 7.80 | 7.50 | 2.5 - 6 | CuZn | 0.38 | - | 250 | - |
| TD 2112 DPK | STANDART Dişi Fiş B.A. 6.3 =DPK= | 19.60 | 7.80 | 7.50 | 2.5 - 6 | CuZn | 0.38 | Sn | 250 | - |
| TD 2112 DPG | STANDART Dişi Fiş B.A. 6.3 =DPG= | 19.60 | 7.80 | 7.50 | 2.5 - 6 | CuZn | 0.38 | Ag | 250 | - |
| TD 2112 DPN | STANDART Dişi Fiş B.A. 6.3 =DPN= | 19.60 | 7.80 | 7.50 | 2.5 - 6 | CuZn | 0.38 | Ni | 250 | - |
| TD 2112 RP | STANDART Dişi Fiş B.A. 6.3 =RP= | 19.60 | 7.80 | 7.50 | 2.5 - 6 | CuZn | 0.38 | - | - | 5,000 |
| TD 2112 RPK | STANDART Dişi Fiş B.A. 6.3 =RPK= | 19.60 | 7.80 | 7.50 | 2.5 - 6 | CuZn | 0.38 | Sn | - | 5,000 |
| TD 2112 RPG | STANDART Dişi Fiş B.A. 6.3 =RPG= | 19.60 | 7.80 | 7.50 | 2.5 - 6 | CuZn | 0.38 | Ag | - | 5,000 |
| TD 2112 RPN | STANDART Dişi Fiş B.A. 6.3 =RPN= | 19.60 | 7.80 | 7.50 | 2.5 - 6 | CuZn | 0.38 | Ni | - | 5,000 |

STANDART Dişi Fiş BÜYÜK AYAK 6.3

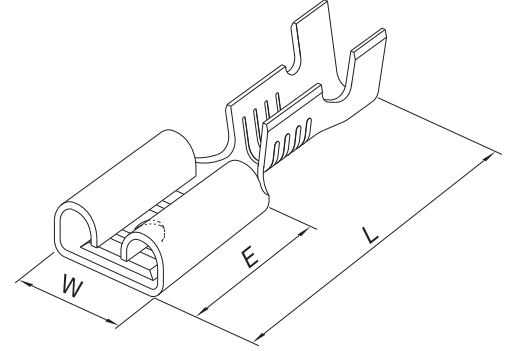


YASSI GEÇME TİPİ TERMİNAL SERİSİ / FAST-ON RECEPTACLES SERIES

6.3 mm TD 2100 SERİSİ / TD 2100 SERIES

| ÜRÜN KODU PRODUCT CODE | ÜRÜN TANIMI PRODUCT DESCRIPTION | L | E | W | KABLO KESİTİ WIRE SIZE (mm ²) | MALZEME MATERIAL | MALZEME KALINLIĞI MATERIAL THICKNES | KAPLAMA PLATING | DÖKME LOOSE | RULO CHAIN |
|------------------------------|---------------------------------------|-------|------|------|---|---------------------|--|--------------------|----------------|---------------|
| TD 2113 DP | STANDART Dişi Fiş K.A. 6.3 =DP= | 18.80 | 7.60 | 7.60 | 0.50 - 1 | CuZn | 0.38 | - | 300 | - |
| TD 2113 DPK | STANDART Dişi Fiş K.A. 6.3 =DPK= | 18.80 | 7.60 | 7.60 | 0.50 - 1 | CuZn | 0.38 | Sn | 300 | - |
| TD 2113 DPG | STANDART Dişi Fiş K.A. 6.3 =DPG= | 18.80 | 7.60 | 7.60 | 0.50 - 1 | CuZn | 0.38 | Ag | 300 | - |
| TD 2113 DPN | STANDART Dişi Fiş K.A. 6.3 =DPN= | 18.80 | 7.60 | 7.60 | 0.50 - 1 | CuZn | 0.38 | Ni | 300 | - |
| TD 2113 RP | STANDART Dişi Fiş K.A. 6.3 =RP= | 18.80 | 7.60 | 7.60 | 0.50 - 1 | CuZn | 0.38 | - | - | 7,000 |
| TD 2113 RPK | STANDART Dişi Fiş K.A. 6.3 =RPK= | 18.80 | 7.60 | 7.60 | 0.50 - 1 | CuZn | 0.38 | Sn | - | 7,000 |
| TD 2113 RPG | STANDART Dişi Fiş K.A. 6.3 =RPG= | 18.80 | 7.60 | 7.60 | 0.50 - 1 | CuZn | 0.38 | Ag | - | 7,000 |
| TD 2113 RPN | STANDART Dişi Fiş K.A. 6.3 =RPN= | 18.80 | 7.60 | 7.60 | 0.50 - 1 | CuZn | 0.38 | Ni | - | 7,000 |

STANDART DIŞİ FİŞ KÜÇÜK AYAK 6.3



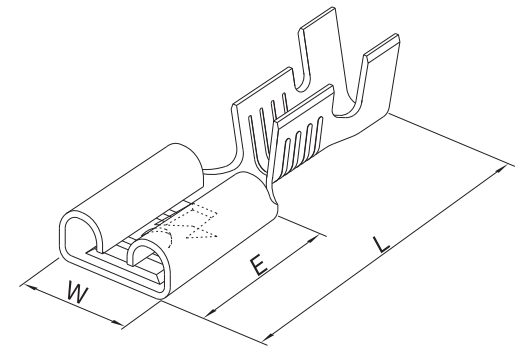
Alternatif Malzeme Kalınlıkları

Alternative Material Thickness

MS 2113 - (0.30 Malzeme)

| ÜRÜN KODU PRODUCT CODE | ÜRÜN TANIMI PRODUCT DESCRIPTION | L | E | W | KABLO KESİTİ WIRE SIZE (mm ²) | MALZEME MATERIAL | MALZEME KALINLIĞI MATERIAL THICKNES | KAPLAMA PLATING | DÖKME LOOSE | RULO CHAIN |
|------------------------------|---------------------------------------|-------|------|------|---|---------------------|--|--------------------|----------------|---------------|
| TD 2114 DP | TIRNAKLI Dişi Fiş 6.3 =DP= | 18.80 | 7.60 | 7.60 | 1 - 2.5 | CuZn | 0.35 | - | 300 | - |
| TD 2114 DPK | TIRNAKLI Dişi Fiş 6.3 =DPK= | 18.80 | 7.60 | 7.60 | 1 - 2.5 | CuZn | 0.35 | Sn | 300 | - |
| TD 2114 DPG | TIRNAKLI Dişi Fiş 6.3 =DPG= | 18.80 | 7.60 | 7.60 | 1 - 2.5 | CuZn | 0.35 | Ag | 300 | - |
| TD 2114 DPN | TIRNAKLI Dişi Fiş 6.3 =DPN= | 18.80 | 7.60 | 7.60 | 1 - 2.5 | CuZn | 0.35 | Ni | 300 | - |
| TD 2114 RP | TIRNAKLI Dişi Fiş 6.3 =RP= | 18.80 | 7.60 | 7.60 | 1 - 2.5 | CuZn | 0.35 | - | - | 6,000 |
| TD 2114 RPK | TIRNAKLI Dişi Fiş 6.3 =RPK= | 18.80 | 7.60 | 7.60 | 1 - 2.5 | CuZn | 0.35 | Sn | - | 6,000 |
| TD 2114 RPG | TIRNAKLI Dişi Fiş 6.3 =RPG= | 18.80 | 7.60 | 7.60 | 1 - 2.5 | CuZn | 0.35 | Ag | - | 6,000 |
| TD 2114 RPN | TIRNAKLI Dişi Fiş 6.3 =RPN= | 18.80 | 7.60 | 7.60 | 1 - 2.5 | CuZn | 0.35 | Ni | - | 6,000 |

TIRNAKLI DIŞİ FİŞ 6.3



Alternatif Malzeme Kalınlıkları

Alternative Material Thickness

MS 2114 - (0.30 Malzeme)

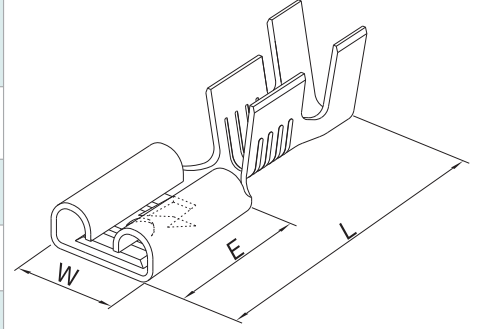
MT 2113 - (0.38 Malzeme)

YASSI GEÇME TİPİ TERMİNAL SERİSİ / FAST-ON RECEPTACLES SERIES

6.3 mm TD 2100 SERİSİ / TD 2100 SERIES

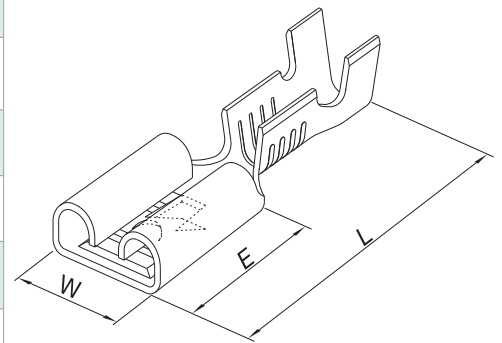
| ÜRÜN KODU PRODUCT CODE | ÜRÜN TANIMI PRODUCT DESCRIPTION | L | E | W | KABLO KESİTİ WIRE SIZE (mm ²) | MALZEME MATERIAL | MALZEME KALINLIĞI MATERIAL THICKNES | KAPLAMA PLATING | DÖKME LOOSE | RULO CHAIN |
|------------------------------|---------------------------------------|-------|------|------|---|---------------------|--|--------------------|----------------|---------------|
| TD 2115 DP | TIRNAKLI DİŞİ FİŞ B.A. 6.3 =DP= | 19.60 | 7.80 | 7.50 | 2.5 - 6 | CuZn | 0.38 | - | 250 | - |
| TD 2115 DPK | TIRNAKLI DİŞİ FİŞ B.A. 6.3 =DPK= | 19.60 | 7.80 | 7.50 | 2.5 - 6 | CuZn | 0.38 | Sn | 250 | - |
| TD 2115 DPG | TIRNAKLI DİŞİ FİŞ B.A. 6.3 =DPG= | 19.60 | 7.80 | 7.50 | 2.5 - 6 | CuZn | 0.38 | Ag | 250 | - |
| TD 2115 DPN | TIRNAKLI DİŞİ FİŞ B.A. 6.3 =DPN= | 19.60 | 7.80 | 7.50 | 2.5 - 6 | CuZn | 0.38 | Ni | 250 | - |
| TD 2115 RP | TIRNAKLI DİŞİ FİŞ B.A. 6.3 =RP= | 19.60 | 7.80 | 7.50 | 2.5 - 6 | CuZn | 0.38 | - | - | 5,000 |
| TD 2115 RPK | TIRNAKLI DİŞİ FİŞ B.A. 6.3 =RPK= | 19.60 | 7.80 | 7.50 | 2.5 - 6 | CuZn | 0.38 | Sn | - | 5,000 |
| TD 2115 RPG | TIRNAKLI DİŞİ FİŞ B.A. 6.3 =RPG= | 19.60 | 7.80 | 7.50 | 2.5 - 6 | CuZn | 0.38 | Ag | - | 5,000 |
| TD 2115 RPN | TIRNAKLI DİŞİ FİŞ B.A. 6.3 =RPN= | 19.60 | 7.80 | 7.50 | 2.5 - 6 | CuZn | 0.38 | Ni | - | 5,000 |

TIRNAKLI DİŞİ FİŞ BÜYÜK AYAK 6.3



| ÜRÜN KODU PRODUCT CODE | ÜRÜN TANIMI PRODUCT DESCRIPTION | L | E | W | KABLO KESİTİ WIRE SIZE (mm ²) | MALZEME MATERIAL | MALZEME KALINLIĞI MATERIAL THICKNES | KAPLAMA PLATING | DÖKME LOOSE | RULO CHAIN |
|------------------------------|---------------------------------------|-------|------|------|---|---------------------|--|--------------------|----------------|---------------|
| TD 2116 DP | TIRNAKLI DİŞİ FİŞ K.A. 6.3 =DP= | 18.80 | 7.60 | 7.60 | 0.50 - 1 | CuZn | 0.38 | - | 300 | - |
| TD 2116 DPK | TIRNAKLI DİŞİ FİŞ K.A. 6.3 =DPK= | 18.80 | 7.60 | 7.60 | 0.50 - 1 | CuZn | 0.38 | Sn | 300 | - |
| TD 2116 DPG | TIRNAKLI DİŞİ FİŞ K.A. 6.3 =DPG= | 18.80 | 7.60 | 7.60 | 0.50 - 1 | CuZn | 0.38 | Ag | 300 | - |
| TD 2116 DPN | TIRNAKLI DİŞİ FİŞ K.A. 6.3 =DPN= | 18.80 | 7.60 | 7.60 | 0.50 - 1 | CuZn | 0.38 | Ni | 300 | - |
| TD 2116 RP | TIRNAKLI DİŞİ FİŞ K.A. 6.3 =RP= | 18.80 | 7.60 | 7.60 | 0.50 - 1 | CuZn | 0.38 | - | - | 7,000 |
| TD 2116 RPK | TIRNAKLI DİŞİ FİŞ K.A. 6.3 =RPK= | 18.80 | 7.60 | 7.60 | 0.50 - 1 | CuZn | 0.38 | Sn | - | 7,000 |
| TD 2116 RPG | TIRNAKLI DİŞİ FİŞ K.A. 6.3 =RPG= | 18.80 | 7.60 | 7.60 | 0.50 - 1 | CuZn | 0.38 | Ag | - | 7,000 |
| TD 2116 RPN | TIRNAKLI DİŞİ FİŞ K.A. 6.3 =RPN= | 18.80 | 7.60 | 7.60 | 0.50 - 1 | CuZn | 0.38 | Ni | - | 7,000 |

TIRNAKLI DİŞİ FİŞ KÜÇÜK AYAK 6.3



Alternatif Malzeme Kalınlıkları

Alternative Material Thickness

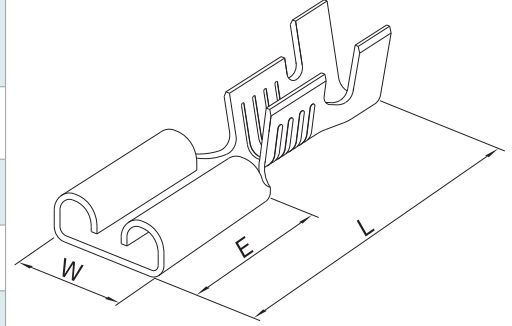
MS 2116 - (0.30 Malzeme)

YASSI GEÇME TİPİ TERMİNAL SERİSİ / FAST-ON RECEPTACLES SERIES

6.3 mm TD 2100 SERİSİ / TD 2100 SERIES

| ÜRÜN KODU PRODUCT CODE | ÜRÜN TANIMI PRODUCT DESCRIPTION | L | E | W | KABLO KESİTİ WIRE SIZE (mm ²) | MALZEME MATERIAL | MALZEME KALINLIĞI MATERIAL THICKNES | KAPLAMA PLATING | DÖKME LOOSE | RULO CHAIN |
|------------------------------|---------------------------------------|-------|------|------|---|---------------------|--|--------------------|----------------|---------------|
| TD 2117 DP | STANDART Dişi Fiş DÜZ 6.3 =DP= | 18.80 | 7.60 | 7.60 | 1 - 2.5 | CuZn | 0.38 | - | 300 | - |
| TD 2117 DPK | STANDART Dişi Fiş DÜZ 6.3 =DPK= | 18.80 | 7.60 | 7.60 | 1 - 2.5 | CuZn | 0.38 | Sn | 300 | - |
| TD 2117 DPG | STANDART Dişi Fiş DÜZ 6.3 =DPG= | 18.80 | 7.60 | 7.60 | 1 - 2.5 | CuZn | 0.38 | Ag | 300 | - |
| TD 2117 DPN | STANDART Dişi Fiş DÜZ 6.3 =DPN= | 18.80 | 7.60 | 7.60 | 1 - 2.5 | CuZn | 0.38 | Ni | 300 | - |
| TD 2117 RP | STANDART Dişi Fiş DÜZ 6.3 =RP= | 18.80 | 7.60 | 7.60 | 1 - 2.5 | CuZn | 0.38 | - | - | 7,000 |
| TD 2117 RPK | STANDART Dişi Fiş DÜZ 6.3 =RPK= | 18.80 | 7.60 | 7.60 | 1 - 2.5 | CuZn | 0.38 | Sn | - | 7,000 |
| TD 2117 RPG | STANDART Dişi Fiş DÜZ 6.3 =RPG= | 18.80 | 7.60 | 7.60 | 1 - 2.5 | CuZn | 0.38 | Ag | - | 7,000 |
| TD 2117 RPN | STANDART Dişi Fiş DÜZ 6.3 =RPN= | 18.80 | 7.60 | 7.60 | 1 - 2.5 | CuZn | 0.38 | Ni | - | 7,000 |

STANDART Dişi Fiş DÜZ 6.3



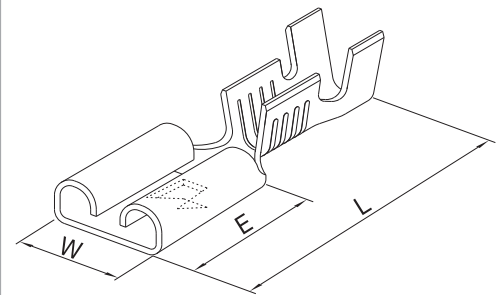
Alternatif Malzeme Kalınlıkları

Alternative Material Thickness

MS 2117 - (0.35 Malzeme)

| ÜRÜN KODU PRODUCT CODE | ÜRÜN TANIMI PRODUCT DESCRIPTION | L | E | W | KABLO KESİTİ WIRE SIZE (mm ²) | MALZEME MATERIAL | MALZEME KALINLIĞI MATERIAL THICKNES | KAPLAMA PLATING | DÖKME LOOSE | RULO CHAIN |
|------------------------------|---------------------------------------|-------|------|------|---|---------------------|--|--------------------|----------------|---------------|
| TD 2118 DP | TIRNAKLI Dişi Fiş DÜZ 6.3 =DP= | 18.80 | 7.60 | 7.60 | 1 - 2.5 | CuZn | 0.35 | - | 300 | - |
| TD 2118 DPK | TIRNAKLI Dişi Fiş DÜZ 6.3 =DPK= | 18.80 | 7.60 | 7.60 | 1 - 2.5 | CuZn | 0.35 | Sn | 300 | - |
| TD 2118 DPG | TIRNAKLI Dişi Fiş DÜZ 6.3 =DPG= | 18.80 | 7.60 | 7.60 | 1 - 2.5 | CuZn | 0.35 | Ag | 300 | - |
| TD 2118 DPN | TIRNAKLI Dişi Fiş DÜZ 6.3 =DPN= | 18.80 | 7.60 | 7.60 | 1 - 2.5 | CuZn | 0.35 | Ni | 300 | - |
| TD 2118 RP | TIRNAKLI Dişi Fiş DÜZ 6.3 =RP= | 18.80 | 7.60 | 7.60 | 1 - 2.5 | CuZn | 0.35 | - | - | 6,000 |
| TD 2118 RPK | TIRNAKLI Dişi Fiş DÜZ 6.3 =RPK= | 18.80 | 7.60 | 7.60 | 1 - 2.5 | CuZn | 0.35 | Sn | - | 6,000 |
| TD 2118 RPG | TIRNAKLI Dişi Fiş DÜZ 6.3 =RPG= | 18.80 | 7.60 | 7.60 | 1 - 2.5 | CuZn | 0.35 | Ag | - | 6,000 |
| TD 2118 RPN | TIRNAKLI Dişi Fiş DÜZ 6.3 =RPN= | 18.80 | 7.60 | 7.60 | 1 - 2.5 | CuZn | 0.35 | Ni | - | 6,000 |

TIRNAKLI Dişi Fiş DÜZ 6.3



Alternatif Malzeme Kalınlıkları

Alternative Material Thickness

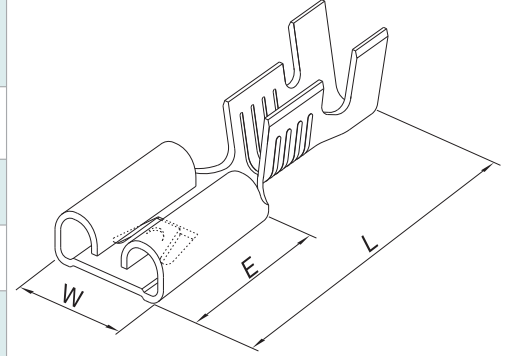
MS 2116 - (0.30 Malzeme)

YASSI GEÇME TİPİ TERMİNAL SERİSİ / FAST-ON RECEPTACLES SERIES

6.3 mm TD 2100 SERİSİ / TD 2100 SERIES

| ÜRÜN KODU PRODUCT CODE | ÜRÜN TANIMI PRODUCT DESCRIPTION | L | E | W | KABLO KESİTİ WIRE SIZE (mm ²) | MALZEME MATERIAL | MALZEME KALINLIĞI MATERIAL THICKNES | KAPLAMA PLATING | DÖKME LOOSE | RULO CHAIN |
|------------------------------|--|-------|------|------|---|---------------------|--|--------------------|----------------|---------------|
| TD 2119 DP | STANDART DIŞI FİŞ "U" KİLİTLİ 6.3 =DP= | 19.50 | 7.50 | 7.50 | 1 - 2.5 | CuZn | 0.38 | - | 300 | - |
| TD 2119 DPK | STANDART DIŞI FİŞ "U" KİLİTLİ 6.3 =DPK= | 19.50 | 7.50 | 7.50 | 1 - 2.5 | CuZn | 0.38 | Sn | 300 | - |
| TD 2119 DPG | STANDART DIŞI FİŞ "U" KİLİTLİ 6.3 =DPG= | 19.50 | 7.50 | 7.50 | 1 - 2.5 | CuZn | 0.38 | Ag | 300 | - |
| TD 2119 DPN | STANDART DIŞI FİŞ "U" KİLİTLİ 6.3 =DPN= | 19.50 | 7.50 | 7.50 | 1 - 2.5 | CuZn | 0.38 | Ni | 300 | - |
| TD 2119 RP | STANDART DIŞI FİŞ "U" KİLİTLİ 6.3 =RP= | 19.50 | 7.50 | 7.50 | 1 - 2.5 | CuZn | 0.38 | - | - | 7,000 |
| TD 2119 RPK | STANDART DIŞI FİŞ "U" KİLİTLİ 6.3 =RPK= | 19.50 | 7.50 | 7.50 | 1 - 2.5 | CuZn | 0.38 | Sn | - | 7,000 |
| TD 2119 RPG | STANDART DIŞI FİŞ "U" KİLİTLİ 6.3 =RPG= | 19.50 | 7.50 | 7.50 | 1 - 2.5 | CuZn | 0.38 | Ag | - | 7,000 |
| TD 2119 RPN | STANDART DIŞI FİŞ "U" KİLİTLİ 6.3 =RPN= | 19.50 | 7.50 | 7.50 | 1 - 2.5 | CuZn | 0.38 | Ni | - | 7,000 |

STANDART DIŞI FİŞ "U" KİLİTLİ 6.3



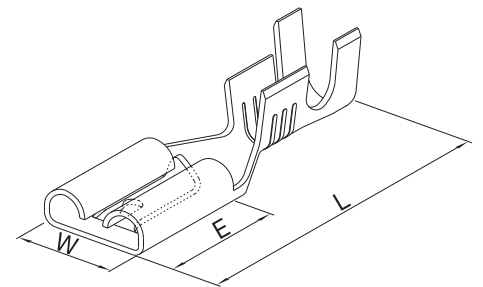
Alternatif Malzeme Kalınlıkları

Alternative Material Thickness

MS 2119 - (0.30 Malzeme)

| ÜRÜN KODU PRODUCT CODE | ÜRÜN TANIMI PRODUCT DESCRIPTION | L | E | W | KABLO KESİTİ WIRE SIZE (mm ²) | MALZEME MATERIAL | MALZEME KALINLIĞI MATERIAL THICKNES | KAPLAMA PLATING | DÖKME LOOSE | RULO CHAIN |
|------------------------------|--|-------|------|------|---|---------------------|--|--------------------|----------------|---------------|
| TD 2120 DP | KİLİTLİ DIŞI FİŞ ZİMBALI B.A. 6.3 =DP= | 19.30 | 7.30 | 7.60 | 2.5 - 4 | CuZn | 0.38 | - | 300 | - |
| TD 2120 DPK | KİLİTLİ DIŞI FİŞ ZİMBALI B.A. 6.3 =DPK= | 19.30 | 7.30 | 7.60 | 2.5 - 4 | CuZn | 0.38 | Sn | 300 | - |
| TD 2120 DPG | KİLİTLİ DIŞI FİŞ ZİMBALI B.A. 6.3 =DPG= | 19.30 | 7.30 | 7.60 | 2.5 - 4 | CuZn | 0.38 | Ag | 300 | - |
| TD 2120 DPN | KİLİTLİ DIŞI FİŞ ZİMBALI B.A. 6.3 =DPN= | 19.30 | 7.30 | 7.60 | 2.5 - 4 | CuZn | 0.38 | Ni | 300 | - |
| TD 2120 RP | KİLİTLİ DIŞI FİŞ ZİMBALI B.A. 6.3 =RP= | 19.30 | 7.30 | 7.60 | 2.5 - 4 | CuZn | 0.38 | - | - | 5,000 |
| TD 2120 RPK | KİLİTLİ DIŞI FİŞ ZİMBALI B.A. 6.3 =RPK= | 19.30 | 7.30 | 7.60 | 2.5 - 4 | CuZn | 0.38 | Sn | - | 5,000 |
| TD 2120 RPG | KİLİTLİ DIŞI FİŞ ZİMBALI B.A. 6.3 =RPG= | 19.30 | 7.30 | 7.60 | 2.5 - 4 | CuZn | 0.38 | Ag | - | 5,000 |
| TD 2120 RPN | KİLİTLİ DIŞI FİŞ ZİMBALI B.A. 6.3 =RPN= | 19.30 | 7.30 | 7.60 | 2.5 - 4 | CuZn | 0.38 | Ni | - | 5,000 |

KİLİTLİ DIŞI FİŞ ZİMBALI BÜYÜK AYAK 6.3

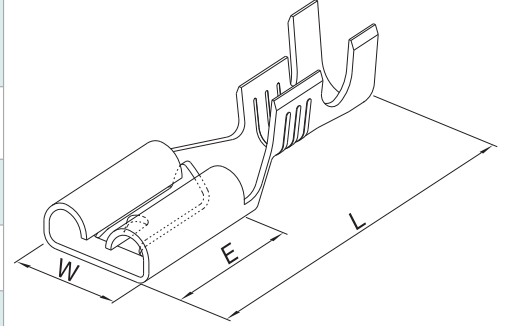


YASSI GEÇME TİPİ TERMİNAL SERİSİ / FAST-ON RECEPTACLES SERIES

6.3 mm TD 2100 SERİSİ / TD 2100 SERIES

| ÜRÜN KODU PRODUCT CODE | ÜRÜN TANIMI PRODUCT DESCRIPTION | L | E | W | KABLO KESİTİ WIRE SIZE (mm ²) | MALZEME MATERIAL | MALZEME KALINLIĞI MATERIAL THICKNES | KAPLAMA PLATING | DÖKME LOOSE | RULO CHAIN |
|------------------------------|---------------------------------------|-------|------|------|---|---------------------|--|--------------------|----------------|---------------|
| TD 2121 DP | KİLİTLİ DİŞİ FİŞ ZİMBALI 6.3 =DP= | 19.30 | 7.30 | 7.60 | 0.75 - 2.5 | CuZn | 0.38 | - | 300 | - |
| TD 2121 DPK | KİLİTLİ DİŞİ FİŞ ZİMBALI 6.3 =DPK= | 19.30 | 7.30 | 7.60 | 0.75 - 2.5 | CuZn | 0.38 | Sn | 300 | - |
| TD 2121 DPG | KİLİTLİ DİŞİ FİŞ ZİMBALI 6.3 =DPG= | 19.30 | 7.30 | 7.60 | 0.75 - 2.5 | CuZn | 0.38 | Ag | 300 | - |
| TD 2121 DPN | KİLİTLİ DİŞİ FİŞ ZİMBALI 6.3 =DPN= | 19.30 | 7.30 | 7.60 | 0.75 - 2.5 | CuZn | 0.38 | Ni | 300 | - |
| TD 2121 RP | KİLİTLİ DİŞİ FİŞ ZİMBALI 6.3 =RP= | 19.30 | 7.30 | 7.60 | 0.75 - 2.5 | CuZn | 0.38 | - | - | 7,000 |
| TD 2121 RPK | KİLİTLİ DİŞİ FİŞ ZİMBALI 6.3 =RPK= | 19.30 | 7.30 | 7.60 | 0.75 - 2.5 | CuZn | 0.38 | Sn | - | 7,000 |
| TD 2121 RPG | KİLİTLİ DİŞİ FİŞ ZİMBALI 6.3 =RPG= | 19.30 | 7.30 | 7.60 | 0.75 - 2.5 | CuZn | 0.38 | Ag | - | 7,000 |
| TD 2121 RPN | KİLİTLİ DİŞİ FİŞ ZİMBALI 6.3 =RPN= | 19.30 | 7.30 | 7.60 | 0.75 - 2.5 | CuZn | 0.38 | Ni | - | 7,000 |

KİLİTLİ DİŞİ FİŞ ZİMBALI 6.3



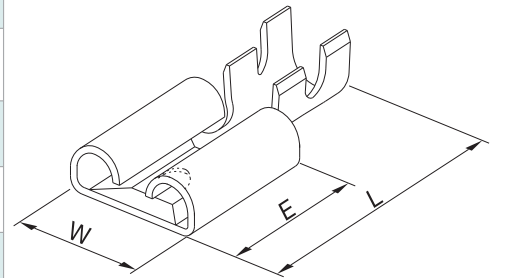
Alternatif Malzeme Kalınlıkları

Alternative Material Thickness

MS 2121 - (0.35 Malzeme)

| ÜRÜN KODU PRODUCT CODE | ÜRÜN TANIMI PRODUCT DESCRIPTION | L | E | W | KABLO KESİTİ WIRE SIZE (mm ²) | MALZEME MATERIAL | MALZEME KALINLIĞI MATERIAL THICKNES | KAPLAMA PLATING | DÖKME LOOSE | RULO CHAIN |
|------------------------------|--|-------|------|------|---|---------------------|--|--------------------|----------------|---------------|
| TD 2122 DP | STANDART DİŞİ FİŞ BAKIR SIKAN 6.3 =DP= | 12.40 | 7.00 | 7.60 | 0.50 - 1 | CuZn | 0.38 | - | 500 | - |
| TD 2122 DPK | STANDART DİŞİ FİŞ BAKIR SIKAN 6.3 =DPK= | 12.40 | 7.00 | 7.60 | 0.50 - 1 | CuZn | 0.38 | Sn | 500 | - |
| TD 2122 DPG | STANDART DİŞİ FİŞ BAKIR SIKAN 6.3 =DPG= | 12.40 | 7.00 | 7.60 | 0.50 - 1 | CuZn | 0.38 | Ag | 500 | - |
| TD 2122 DPN | STANDART DİŞİ FİŞ BAKIR SIKAN 6.3 =DPN= | 12.40 | 7.00 | 7.60 | 0.50 - 1 | CuZn | 0.38 | Ni | 500 | - |
| TD 2122 RP | STANDART DİŞİ FİŞ BAKIR SIKAN 6.3 =RP= | 12.40 | 7.00 | 7.60 | 0.50 - 1 | CuZn | 0.38 | - | - | 10,000 |
| TD 2122 RPK | STANDART DİŞİ FİŞ BAKIR SIKAN 6.3 =RPK= | 12.40 | 7.00 | 7.60 | 0.50 - 1 | CuZn | 0.38 | Sn | - | 10,000 |
| TD 2122 RPG | STANDART DİŞİ FİŞ BAKIR SIKAN 6.3 =RPG= | 12.40 | 7.00 | 7.60 | 0.50 - 1 | CuZn | 0.38 | Ag | - | 10,000 |
| TD 2122 RPN | STANDART DİŞİ FİŞ BAKIR SIKAN 6.3 =RPN= | 12.40 | 7.00 | 7.60 | 0.50 - 1 | CuZn | 0.38 | Ni | - | 10,000 |

STANDART DİŞİ FİŞ BAKIR SIKAN 6.3

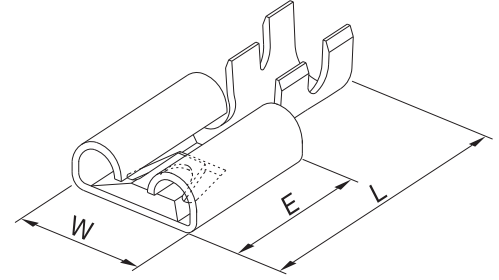


YASSI GEÇME TİPİ TERMİNAL SERİSİ / FAST-ON RECEPTACLES SERIES

6.3 mm TD 2100 SERİSİ / TD 2100 SERIES

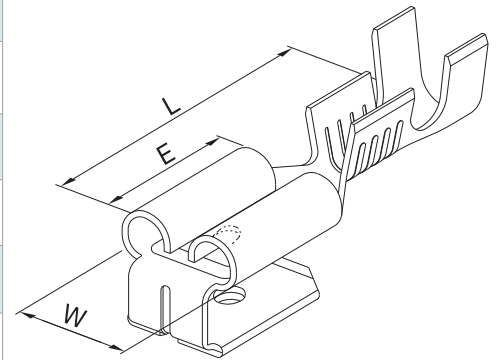
| ÜRÜN KODU PRODUCT CODE | ÜRÜN TANIMI PRODUCT DESCRIPTION | L | E | W | KABLO KESİTİ WIRE SIZE (mm ²) | MALZEME MATERIAL | MALZEME KALINLIĞI MATERIAL THICKNES | KAPLAMA PLATING | DÖKME LOOSE | RULO CHAIN |
|------------------------------|---|-------|------|------|---|---------------------|--|--------------------|----------------|---------------|
| TD 2123 DP | STANDART DIŞI FİŞ BAKIR ŞIKAN "U" KİLİTLİ 6.3 =DP= | 12.40 | 7.00 | 7.60 | 0.50 - 1 | CuZn | 0.38 | - | 500 | - |
| TD 2123 DPK | STANDART DIŞI FİŞ BAKIR ŞIKAN "U" KİLİTLİ 6.3 =DPK= | 12.40 | 7.00 | 7.60 | 0.50 - 1 | CuZn | 0.38 | Sn | 500 | - |
| TD 2123 DPG | STANDART DIŞI FİŞ BAKIR ŞIKAN "U" KİLİTLİ 6.3 =DPG= | 12.40 | 7.00 | 7.60 | 0.50 - 1 | CuZn | 0.38 | Ag | 500 | - |
| TD 2123 DPN | STANDART DIŞI FİŞ BAKIR ŞIKAN "U" KİLİTLİ 6.3 =DPN= | 12.40 | 7.00 | 7.60 | 0.50 - 1 | CuZn | 0.38 | Ni | 500 | - |
| TD 2123 RP | STANDART DIŞI FİŞ BAKIR ŞIKAN "U" KİLİTLİ 6.3 =RP= | 12.40 | 7.00 | 7.60 | 0.50 - 1 | CuZn | 0.38 | - | - | 10,000 |
| TD 2123 RPK | STANDART DIŞI FİŞ BAKIR ŞIKAN "U" KİLİTLİ 6.3 =RPK= | 12.40 | 7.00 | 7.60 | 0.50 - 1 | CuZn | 0.38 | Sn | - | 10,000 |
| TD 2123 RPG | STANDART DIŞI FİŞ BAKIR ŞIKAN "U" KİLİTLİ 6.3 =RPG= | 12.40 | 7.00 | 7.60 | 0.50 - 1 | CuZn | 0.38 | Ag | - | 10,000 |
| TD 2123 RPN | STANDART DIŞI FİŞ BAKIR ŞIKAN "U" KİLİTLİ 6.3 =RPN= | 12.40 | 7.00 | 7.60 | 0.50 - 1 | CuZn | 0.38 | Ni | - | 10,000 |

STANDART DIŞI FİŞ BAKIR ŞIKAN "U" KİLİTLİ 6.3



| ÜRÜN KODU PRODUCT CODE | ÜRÜN TANIMI PRODUCT DESCRIPTION | L | E | W | KABLO KESİTİ WIRE SIZE (mm ²) | MALZEME MATERIAL | MALZEME KALINLIĞI MATERIAL THICKNES | KAPLAMA PLATING | DÖKME LOOSE | RULO CHAIN |
|------------------------------|---------------------------------------|-------|------|------|---|---------------------|--|--------------------|----------------|---------------|
| TD 2124 DP | ERKEKLİ DIŞI TERMİNAL 6.3 =DP= | 19.50 | 7.00 | 7.70 | 1 - 2.5 | CuZn | 0.38 | - | 200 | - |
| TD 2124 DPK | ERKEKLİ DIŞI TERMİNAL 6.3 =DPK= | 19.50 | 7.00 | 7.70 | 1 - 2.5 | CuZn | 0.38 | Sn | 200 | - |
| TD 2124 DPG | ERKEKLİ DIŞI TERMİNAL 6.3 =DPG= | 19.50 | 7.00 | 7.70 | 1 - 2.5 | CuZn | 0.38 | Ag | 200 | - |
| TD 2124 DPN | ERKEKLİ DIŞI TERMİNAL 6.3 =DPN= | 19.50 | 7.00 | 7.70 | 1 - 2.5 | CuZn | 0.38 | Ni | 200 | - |
| TD 2124 RP | ERKEKLİ DIŞI TERMİNAL 6.3 =RP= | 19.50 | 7.00 | 7.70 | 1 - 2.5 | CuZn | 0.38 | - | - | 2,000 |
| TD 2124 RPK | ERKEKLİ DIŞI TERMİNAL 6.3 =RPK= | 19.50 | 7.00 | 7.70 | 1 - 2.5 | CuZn | 0.38 | Sn | - | 2,000 |
| TD 2124 RPG | ERKEKLİ DIŞI TERMİNAL 6.3 =RPG= | 19.50 | 7.00 | 7.70 | 1 - 2.5 | CuZn | 0.38 | Ag | - | 2,000 |
| TD 2124 RPN | ERKEKLİ DIŞI TERMİNAL 6.3 =RPN= | 19.50 | 7.00 | 7.70 | 1 - 2.5 | CuZn | 0.38 | Ni | - | 2,000 |

ERKEKLİ DIŞI TERMİNAL 6.3

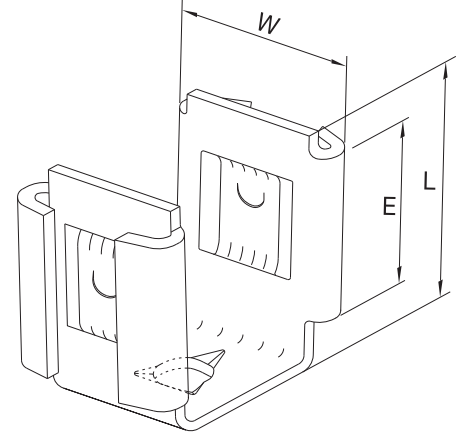


YASSI GEÇME TİPİ TERMİNAL SERİSİ / FAST-ON RECEPTACLES SERIES

6.3 mm TD 2100 SERİSİ / TD 2100 SERIES

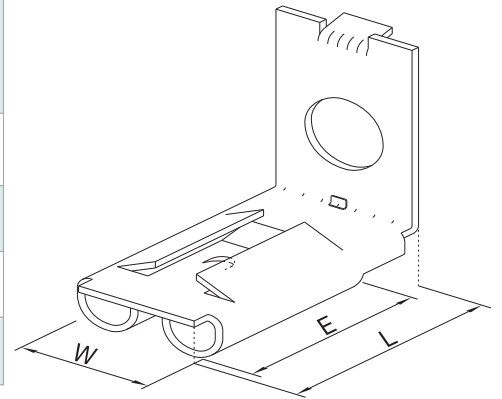
| ÜRÜN KODU PRODUCT CODE | ÜRÜN TANIMI PRODUCT DESCRIPTION | L | E | W | KABLO KESİTİ WIRE SIZE (mm ²) | MALZEME MATERIAL | MALZEME KALINLIĞI MATERIAL THICKNES | KAPLAMA PLATING | DÖKME LOOSE | RULO CHAIN |
|------------------------------|---------------------------------------|-------|------|------|---|---------------------|--|--------------------|----------------|---------------|
| TD 2125 DP | "U" Dişi Fiş 6.3 =DP= | 11.40 | 8.00 | 7.70 | - | CuZn | 0.50 | - | 500 | - |
| TD 2125 DPK | "U" Dişi Fiş 6.3 =DPK= | 11.40 | 8.00 | 7.70 | - | CuZn | 0.50 | Sn | 500 | - |
| TD 2125 DPG | "U" Dişi Fiş 6.3 =DPG= | 11.40 | 8.00 | 7.70 | - | CuZn | 0.50 | Ag | 500 | - |
| TD 2125 DPN | "U" Dişi Fiş 6.3 =DPN= | 11.40 | 8.00 | 7.70 | - | CuZn | 0.50 | Ni | 500 | - |

"U" Dişi Fiş 6.3



| ÜRÜN KODU PRODUCT CODE | ÜRÜN TANIMI PRODUCT DESCRIPTION | L | E | W | KABLO KESİTİ WIRE SIZE (mm ²) | MALZEME MATERIAL | MALZEME KALINLIĞI MATERIAL THICKNES | KAPLAMA PLATING | DÖKME LOOSE | RULO CHAIN |
|------------------------------|---------------------------------------|-------|------|------|---|---------------------|--|--------------------|----------------|---------------|
| TD 2126 DP | "L" Dişi Fiş 6.3 =DP= | 12.00 | 8.20 | 7.90 | - | CuZn | 0.38 | - | 5.000 | - |
| TD 2126 DPK | "L" Dişi Fiş 6.3 =DPK= | 12.00 | 8.20 | 7.90 | - | CuZn | 0.38 | Sn | 5.000 | - |
| TD 2126 DPG | "L" Dişi Fiş 6.3 =DPG= | 12.00 | 8.20 | 7.90 | - | CuZn | 0.38 | Ag | 5.000 | - |
| TD 2126 DPN | "L" Dişi Fiş 6.3 =DPN= | 12.00 | 8.20 | 7.90 | - | CuZn | 0.38 | Ni | 5.000 | - |

"L" Dişi Fiş 6.3

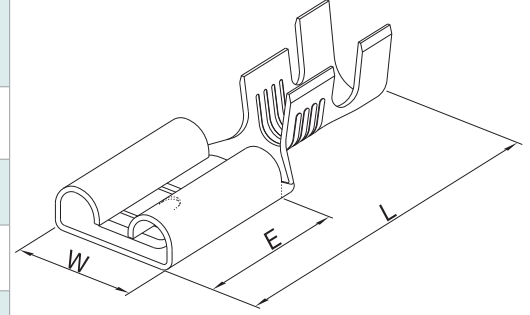


YASSI GEÇME TİPİ TERMİNAL SERİSİ / FAST-ON RECEPTACLES SERIES

9.5 mm TD 2100 SERİSİ / TD 2100 SERIES

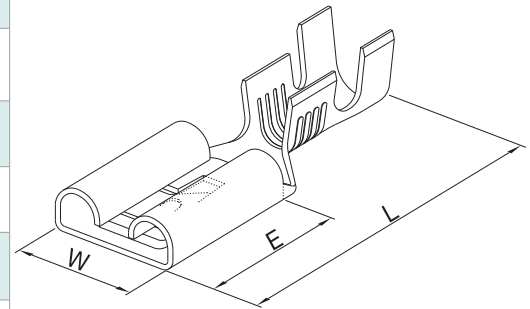
| ÜRÜN KODU PRODUCT CODE | ÜRÜN TANIMI PRODUCT DESCRIPTION | L | E | W | KABLO KESİTİ WIRE SIZE (mm ²) | MALZEME MATERIAL | MALZEME KALINLIĞI MATERIAL THICKNES | KAPLAMA PLATING | DÖKME LOOSE | RULO CHAIN |
|------------------------------|---------------------------------------|-------|-------|-------|---|---------------------|--|--------------------|----------------|---------------|
| TD 2127 DP | BÜYÜK DİŞİ FİŞ =DP= | 25.00 | 11.10 | 11.00 | 4 - 6 | CuZn | 0.45 | - | 100 | - |
| TD 2127 DPK | BÜYÜK DİŞİ FİŞ =DPK= | 25.00 | 11.10 | 11.00 | 4 - 6 | CuZn | 0.45 | Sn | 100 | - |
| TD 2127 DPG | BÜYÜK DİŞİ FİŞ =DPG= | 25.00 | 11.10 | 11.00 | 4 - 6 | CuZn | 0.45 | Ag | 100 | - |
| TD 2127 DPN | BÜYÜK DİŞİ FİŞ =DPN= | 25.00 | 11.10 | 11.00 | 4 - 6 | CuZn | 0.45 | Ni | 100 | - |
| TD 2127 RP | BÜYÜK DİŞİ FİŞ =RP= | 25.00 | 11.10 | 11.00 | 4 - 6 | CuZn | 0.45 | - | - | 2,500 |
| TD 2127 RPK | BÜYÜK DİŞİ FİŞ =RPK= | 25.00 | 11.10 | 11.00 | 4 - 6 | CuZn | 0.45 | Sn | - | 2,500 |
| TD 2127 RPG | BÜYÜK DİŞİ FİŞ =RPG= | 25.00 | 11.10 | 11.00 | 4 - 6 | CuZn | 0.45 | Ag | - | 2,500 |
| TD 2127 RPN | BÜYÜK DİŞİ FİŞ =RPN= | 25.00 | 11.10 | 11.00 | 4 - 6 | CuZn | 0.45 | Ni | - | 2,500 |

BÜYÜK DİŞİ FİŞ



| ÜRÜN KODU PRODUCT CODE | ÜRÜN TANIMI PRODUCT DESCRIPTION | L | E | W | KABLO KESİTİ WIRE SIZE (mm ²) | MALZEME MATERIAL | MALZEME KALINLIĞI MATERIAL THICKNES | KAPLAMA PLATING | DÖKME LOOSE | RULO CHAIN |
|------------------------------|---------------------------------------|-------|-------|-------|---|---------------------|--|--------------------|----------------|---------------|
| TD 2128 DP | BÜYÜK DİŞİ FİŞ TIRNAKLI =DP= | 25.00 | 11.10 | 11.00 | 4 - 6 | CuZn | 0.45 | - | 100 | - |
| TD 2128 DPK | BÜYÜK DİŞİ FİŞ TIRNAKLI =DPK= | 25.00 | 11.10 | 11.00 | 4 - 6 | CuZn | 0.45 | Sn | 100 | - |
| TD 2128 DPG | BÜYÜK DİŞİ FİŞ TIRNAKLI =DPG= | 25.00 | 11.10 | 11.00 | 4 - 6 | CuZn | 0.45 | Ag | 100 | - |
| TD 2128 DPN | BÜYÜK DİŞİ FİŞ TIRNAKLI =DPN= | 25.00 | 11.10 | 11.00 | 4 - 6 | CuZn | 0.45 | Ni | 100 | - |
| TD 2128 RP | BÜYÜK DİŞİ FİŞ TIRNAKLI =RP= | 25.00 | 11.10 | 11.00 | 4 - 6 | CuZn | 0.45 | - | - | 2,500 |
| TD 2128 RPK | BÜYÜK DİŞİ FİŞ TIRNAKLI =RPK= | 25.00 | 11.10 | 11.00 | 4 - 6 | CuZn | 0.45 | Sn | - | 2,500 |
| TD 2128 RPG | BÜYÜK DİŞİ FİŞ TIRNAKLI =RPG= | 25.00 | 11.10 | 11.00 | 4 - 6 | CuZn | 0.45 | Ag | - | 2,500 |
| TD 2128 RPN | BÜYÜK DİŞİ FİŞ TIRNAKLI =RPN= | 25.00 | 11.10 | 11.00 | 4 - 6 | CuZn | 0.45 | Ni | - | 2,500 |

BÜYÜK DİŞİ FİŞ TIRNAKLI

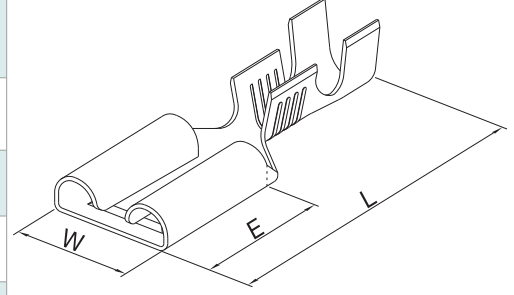


YASSI GEÇME TİPİ TERMİNAL SERİSİ / FAST-ON RECEPTACLES SERIES

8.5 mm TD 2100 SERİSİ / TD 2100 SERIES

| ÜRÜN KODU PRODUCT CODE | ÜRÜN TANIMI PRODUCT DESCRIPTION | L | E | W | KABLO KESİTİ WIRE SIZE (mm ²) | MALZEME MATERIAL | MALZEME KALINLIĞI MATERIAL THICKNES | KAPLAMA PLATING | DÖKME LOOSE | RULO CHAIN |
|------------------------------|---------------------------------------|-------|------|------|---|---------------------|--|--------------------|----------------|---------------|
| TD 2129 DP | 8.5 Dişli TERMİNAL =DP= | 20.80 | 8.80 | 9.10 | 1 - 2.5 | CuZn | 0,30 | - | 250 | - |
| TD 2129 DPK | 8.5 Dişli TERMİNAL =DPK= | 20.80 | 8.80 | 9.10 | 1 - 2.5 | CuZn | 0,30 | Sn | 250 | - |
| TD 2129 DPG | 8.5 Dişli TERMİNAL =DPG= | 20.80 | 8.80 | 9.10 | 1 - 2.5 | CuZn | 0,30 | Ag | 250 | - |
| TD 2129 DPN | 8.5 Dişli TERMİNAL =DPN= | 20.80 | 8.80 | 9.10 | 1 - 2.5 | CuZn | 0,30 | Ni | 250 | - |
| TD 2129 RP | 8.5 Dişli TERMİNAL =RP= | 20.80 | 8.80 | 9.10 | 1 - 2.5 | CuZn | 0,30 | - | - | 5,000 |
| TD 2129 RPK | 8.5 Dişli TERMİNAL =RPK= | 20.80 | 8.80 | 9.10 | 1 - 2.5 | CuZn | 0,30 | Sn | - | 5,000 |
| TD 2129 RPG | 8.5 Dişli TERMİNAL =RPG= | 20.80 | 8.80 | 9.10 | 1 - 2.5 | CuZn | 0,30 | Ag | - | 5,000 |
| TD 2129 RPN | 8.5 Dişli TERMİNAL =RPN= | 20.80 | 8.80 | 9.10 | 1 - 2.5 | CuZn | 0,30 | Ni | - | 5,000 |

8.5 Dişli TERMİNAL

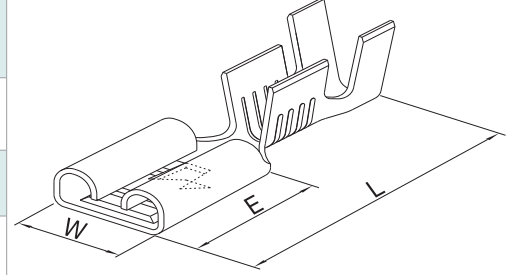


YASSI GEÇME TİPİ TERMİNAL SERİSİ / FAST-ON RECEPTACLES SERIES

6.3 mm TD 2100 SERİSİ / TD 2100 SERIES

| ÜRÜN KODU PRODUCT CODE | ÜRÜN TANIMI PRODUCT DESCRIPTION | L | E | W | KABLO KESİTİ WIRE SIZE (mm ²) | MALZEME MATERIAL | MALZEME KALINLIĞI MATERIAL THICKNESS | KAPLAMA PLATING | DÖKME LOOSE | RULO CHAIN |
|------------------------------|--|-------|------|------|---|---------------------|---|--------------------|----------------|---------------|
| TD 2130 DP | TIRNAKLI DİŞİ FİŞ B.A. NOKTASIZ 6.3 =DP= | 19.60 | 7.80 | 7.50 | 2.5 - 6 | CuZn | 0.38 | - | 250 | - |
| TD 2130 DPK | TIRNAKLI DİŞİ FİŞ B.A. NOKTASIZ 6.3 =DPK= | 19.60 | 7.80 | 7.50 | 2.5 - 6 | CuZn | 0.38 | Sn | 250 | - |
| TD 2130 DPG | TIRNAKLI DİŞİ FİŞ B.A. NOKTASIZ 6.3 =DPG= | 19.60 | 7.80 | 7.50 | 2.5 - 6 | CuZn | 0.38 | Ag | 250 | - |
| TD 2130 DPN | TIRNAKLI DİŞİ FİŞ B.A. NOKTASIZ 6.3 =DPN= | 19.60 | 7.80 | 7.50 | 2.5 - 6 | CuZn | 0.38 | Ni | 250 | - |
| TD 2130 RP | TIRNAKLI DİŞİ FİŞ B.A. NOKTASIZ 6.3 =RP= | 19.60 | 7.80 | 7.50 | 2.5 - 6 | CuZn | 0.38 | - | - | 5,000 |
| TD 2130 RPK | TIRNAKLI DİŞİ FİŞ B.A. NOKTASIZ 6.3 =RPK= | 19.60 | 7.80 | 7.50 | 2.5 - 6 | CuZn | 0.38 | Sn | - | 5,000 |
| TD 2130 RPG | TIRNAKLI DİŞİ FİŞ B.A. NOKTASIZ 6.3 =RPG= | 19.60 | 7.80 | 7.50 | 2.5 - 6 | CuZn | 0.38 | Ag | - | 5,000 |
| TD 2130 RPN | TIRNAKLI DİŞİ FİŞ B.A. NOKTASIZ 6.3 =RPN= | 19.60 | 7.80 | 7.50 | 2.5 - 6 | CuZn | 0.38 | Ni | - | 5,000 |

TIRNAKLI DİŞİ FİŞ BÜYÜK AYAK NOKTASIZ 6.3

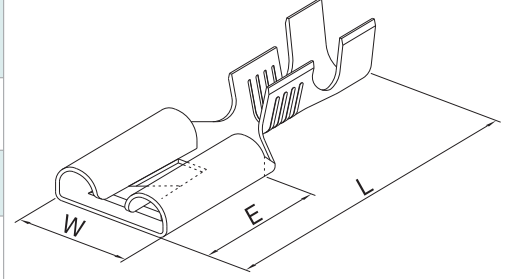


YASSI GEÇME TİPİ TERMİNAL SERİSİ / FAST-ON RECEPTACLES SERIES

8.5 mm TD 2100 SERİSİ / TD 2100 SERIES

| ÜRÜN KODU PRODUCT CODE | ÜRÜN TANIMI PRODUCT DESCRIPTION | L | E | W | KABLO KESİTİ WIRE SIZE (mm ²) | MALZEME MATERIAL | MALZEME KALINLIĞI MATERIAL THICKNES | KAPLAMA PLATING | DÖKME LOOSE | RULO CHAIN |
|------------------------------|---------------------------------------|-------|------|------|---|---------------------|--|--------------------|----------------|---------------|
| TD 2131 DP | 8.5 DİŞİ TERMİNAL TIRNAKLI =DP= | 20.80 | 8.80 | 9.10 | 1 - 2.5 | CuZn | 0.30 | - | 250 | - |
| TD 2131 DPK | 8.5 DİŞİ TERMİNAL TIRNAKLI =DPK= | 20.80 | 8.80 | 9.10 | 1 - 2.5 | CuZn | 0.30 | Sn | 250 | - |
| TD 2131 DPG | 8.5 DİŞİ TERMİNAL TIRNAKLI =DPG= | 20.80 | 8.80 | 9.10 | 1 - 2.5 | CuZn | 0.30 | Ag | 250 | - |
| TD 2131 DPN | 8.5 DİŞİ TERMİNAL TIRNAKLI =DPN= | 20.80 | 8.80 | 9.10 | 1 - 2.5 | CuZn | 0.30 | Ni | 250 | - |
| TD 2131 RP | 8.5 DİŞİ TERMİNAL TIRNAKLI =RP= | 20.80 | 8.80 | 9.10 | 1 - 2.5 | CuZn | 0.30 | - | - | 5,000 |
| TD 2131 RPK | 8.5 DİŞİ TERMİNAL TIRNAKLI =RPK= | 20.80 | 8.80 | 9.10 | 1 - 2.5 | CuZn | 0.30 | Sn | - | 5,000 |
| TD 2131 RPG | 8.5 DİŞİ TERMİNAL TIRNAKLI =RPG= | 20.80 | 8.80 | 9.10 | 1 - 2.5 | CuZn | 0.30 | Ag | - | 5,000 |
| TD 2131 RPN | 8.5 DİŞİ TERMİNAL TIRNAKLI =RPN= | 20.80 | 8.80 | 9.10 | 1 - 2.5 | CuZn | 0.30 | Ni | - | 5,000 |

8.5 DİŞİ TERMİNAL TIRNAKLI

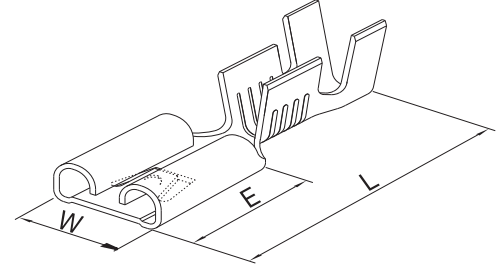


YASSI GEÇME TİPİ TERMİNAL SERİSİ / FAST-ON RECEPTACLES SERIES

6.3 mm TD 2100 SERİSİ / TD 2100 SERIES

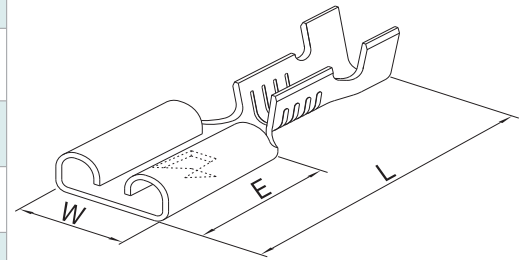
| ÜRÜN KODU PRODUCT CODE | ÜRÜN TANIMI PRODUCT DESCRIPTION | L | E | W | KABLO KESİTİ WIRE SIZE (mm ²) | MALZEME MATERIAL | MALZEME KALINLIĞI MATERIAL THICKNES | KAPLAMA PLATING | DÖKME LOOSE | RULO CHAIN |
|------------------------------|---|-------|------|------|---|---------------------|--|--------------------|----------------|---------------|
| TD 2132 DP | STANDART Dişi Fiş B.A. "U" KİLİTLİ 6.3 =DP= | 19.40 | 7.80 | 7.50 | 2.5 - 6 | CuZn | 0.38 | - | 250 | - |
| TD 2132 DPK | STANDART Dişi Fiş B.A. "U" KİLİTLİ 6.3 =DPK= | 19.40 | 7.80 | 7.50 | 2.5 - 6 | CuZn | 0.38 | Sn | 250 | - |
| TD 2132 DPG | STANDART Dişi Fiş B.A. "U" KİLİTLİ 6.3 =DPG= | 19.40 | 7.80 | 7.50 | 2.5 - 6 | CuZn | 0.38 | Ag | 250 | - |
| TD 2132 DPN | STANDART Dişi Fiş B.A. "U" KİLİTLİ 6.3 =DPN= | 19.40 | 7.80 | 7.50 | 2.5 - 6 | CuZn | 0.38 | Ni | 250 | - |
| TD 2132 RP | STANDART Dişi Fiş B.A. "U" KİLİTLİ 6.3 =RP= | 19.40 | 7.80 | 7.50 | 2.5 - 6 | CuZn | 0.38 | - | - | 5,000 |
| TD 2132 RPK | STANDART Dişi Fiş B.A. "U" KİLİTLİ 6.3 =RPK= | 19.40 | 7.80 | 7.50 | 2.5 - 6 | CuZn | 0.38 | Sn | - | 5,000 |
| TD 2132 RPG | STANDART Dişi Fiş B.A. "U" KİLİTLİ 6.3 =RPG= | 19.40 | 7.80 | 7.50 | 2.5 - 6 | CuZn | 0.38 | Ag | - | 5,000 |
| TD 2132 RPN | STANDART Dişi Fiş B.A. "U" KİLİTLİ 6.3 =RPN= | 19.40 | 7.80 | 7.50 | 2.5 - 6 | CuZn | 0.38 | Ni | - | 5,000 |

STANDART Dişi Fiş BÜYÜK AYAK "U" KİLİTLİ 6.3



| ÜRÜN KODU PRODUCT CODE | ÜRÜN TANIMI PRODUCT DESCRIPTION | L | E | W | KABLO KESİTİ WIRE SIZE (mm ²) | MALZEME MATERIAL | MALZEME KALINLIĞI MATERIAL THICKNES | KAPLAMA PLATING | DÖKME LOOSE | RULO CHAIN |
|------------------------------|---|-------|------|------|---|---------------------|--|--------------------|----------------|---------------|
| TD 2133 DP | TIRNAKLI Dişi Fiş K.A. DÜZ 6.3 =DP= | 18.80 | 7.60 | 7.60 | 0.50 - 1 | CuZn | 0.38 | - | 300 | - |
| TD 2133 DPK | TIRNAKLI Dişi Fiş K.A. DÜZ 6.3 =DPK= | 18.80 | 7.60 | 7.60 | 0.50 - 1 | CuZn | 0.38 | Sn | 300 | - |
| TD 2133 DPG | TIRNAKLI Dişi Fiş K.A. DÜZ 6.3 =DPG= | 18.80 | 7.60 | 7.60 | 0.50 - 1 | CuZn | 0.38 | Ag | 300 | - |
| TD 2133 DPN | TIRNAKLI Dişi Fiş K.A. DÜZ 6.3 =DPN= | 18.80 | 7.60 | 7.60 | 0.50 - 1 | CuZn | 0.38 | Ni | 300 | - |
| TD 2133 RP | TIRNAKLI Dişi Fiş K.A. DÜZ 6.3 =RP= | 18.80 | 7.60 | 7.60 | 0.50 - 1 | CuZn | 0.38 | - | - | 7,000 |
| TD 2133 RPK | TIRNAKLI Dişi Fiş K.A. DÜZ 6.3 =RPK= | 18.80 | 7.60 | 7.60 | 0.50 - 1 | CuZn | 0.38 | Sn | - | 7,000 |
| TD 2133 RPG | TIRNAKLI Dişi Fiş K.A. DÜZ 6.3 =RPG= | 18.80 | 7.60 | 7.60 | 0.50 - 1 | CuZn | 0.38 | Ag | - | 7,000 |
| TD 2133 RPN | TIRNAKLI Dişi Fiş K.A. DÜZ 6.3 =RPN= | 18.80 | 7.60 | 7.60 | 0.50 - 1 | CuZn | 0.38 | Ni | - | 7,000 |

TIRNAKLI Dişi Fiş KÜÇÜK AYAK DÜZ 6.3

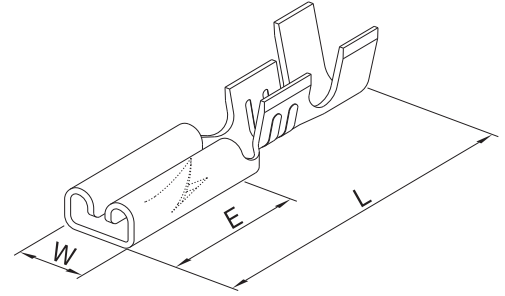


YASSI GEÇME TİPİ TERMİNAL SERİSİ / FAST-ON RECEPTACLES SERIES

2.8 mm TD 2100 SERİSİ / TD 2100 SERIES

| ÜRÜN KODU PRODUCT CODE | ÜRÜN TANIMI PRODUCT DESCRIPTION | L | E | W | KABLO KESİTİ WIRE SIZE (mm ²) | MALZEME MATERIAL | MALZEME KALINLIĞI MATERIAL THICKNESS | KAPLAMA PLATING | DÖKME LOOSE | RULO CHAIN |
|------------------------------|--|-------|------|------|---|---------------------|---|--------------------|----------------|---------------|
| TD 2134 DP | MİKRO DİŞİ FİŞ TERS KİLİTLİ 2.8 =DP= | 14.10 | 6.60 | 3.80 | 0.50 - 1 | CuZn | 0.30 | - | 1.000 | - |
| TD 2134 DPK | MİKRO DİŞİ FİŞ TERS KİLİTLİ 2.8 =DPK= | 14.10 | 6.60 | 3.80 | 0.50 - 1 | CuZn | 0.30 | Sn | 1.000 | - |
| TD 2134 DPG | MİKRO DİŞİ FİŞ TERS KİLİTLİ 2.8 =DPG= | 14.10 | 6.60 | 3.80 | 0.50 - 1 | CuZn | 0.30 | Ag | 1.000 | - |
| TD 2134 DPN | MİKRO DİŞİ FİŞ TERS KİLİTLİ 2.8 =DPN= | 14.10 | 6.60 | 3.80 | 0.50 - 1 | CuZn | 0.30 | Ni | 1.000 | - |
| TD 2134 RP | MİKRO DİŞİ FİŞ TERS KİLİTLİ 2.8 =RP= | 14.10 | 6.60 | 3.80 | 0.50 - 1 | CuZn | 0.30 | - | - | 15,000 |
| TD 2134 RPK | MİKRO DİŞİ FİŞ TERS KİLİTLİ 2.8 =RPK= | 14.10 | 6.60 | 3.80 | 0.50 - 1 | CuZn | 0.30 | Sn | - | 15,000 |
| TD 2134 RPG | MİKRO DİŞİ FİŞ TERS KİLİTLİ 2.8 =RPG= | 14.10 | 6.60 | 3.80 | 0.50 - 1 | CuZn | 0.30 | Ag | - | 15,000 |
| TD 2134 RPN | MİKRO DİŞİ FİŞ TERS KİLİTLİ 2.8 =RPN= | 14.10 | 6.60 | 3.80 | 0.50 - 1 | CuZn | 0.30 | Ni | - | 15,000 |

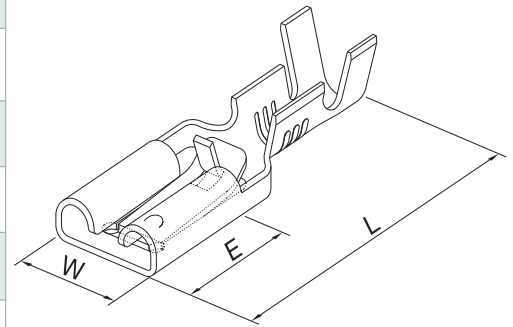
MİKRO DİŞİ FİŞ TERS KİLİTLİ 2.8



4.8 mm

| ÜRÜN KODU PRODUCT CODE | ÜRÜN TANIMI PRODUCT DESCRIPTION | L | E | W | KABLO KESİTİ WIRE SIZE (mm ²) | MALZEME MATERIAL | MALZEME KALINLIĞI MATERIAL THICKNESS | KAPLAMA PLATING | DÖKME LOOSE | RULO CHAIN |
|------------------------------|--|-------|------|------|---|---------------------|---|--------------------|----------------|---------------|
| TD 2135 DP | KİLİTLİ DİŞİ FİŞ KISA TİP 4.8 =DP= | 17.00 | 6.30 | 6.20 | 0.50 - 1 | CuZn | 0.35 | - | 500 | - |
| TD 2135 DPK | KİLİTLİ DİŞİ FİŞ KISA TİP 4.8 =DPK= | 17.00 | 6.30 | 6.20 | 0.50 - 1 | CuZn | 0.35 | Sn | 500 | - |
| TD 2135 DPG | KİLİTLİ DİŞİ FİŞ KISA TİP 4.8 =DPG= | 17.00 | 6.30 | 6.20 | 0.50 - 1 | CuZn | 0.38 | Ag | 500 | - |
| TD 2135 DPN | KİLİTLİ DİŞİ FİŞ KISA TİP 4.8 =DPN= | 17.00 | 6.30 | 6.20 | 0.50 - 1 | CuZn | 0.35 | Ni | 500 | - |
| TD 2135 RP | KİLİTLİ DİŞİ FİŞ KISA TİP 4.8 =RP= | 17.00 | 6.30 | 6.20 | 0.50 - 1 | CuZn | 0.35 | - | - | 10,000 |
| TD 2135 RPK | KİLİTLİ DİŞİ FİŞ KISA TİP 4.8 =RPK= | 17.00 | 6.30 | 6.20 | 0.50 - 1 | CuZn | 0.35 | Sn | - | 10,000 |
| TD 2135 RPG | KİLİTLİ DİŞİ FİŞ KISA TİP 4.8 =RPG= | 17.00 | 6.30 | 6.20 | 0.50 - 1 | CuZn | 0.35 | Ag | - | 10,000 |
| TD 2135 RPN | KİLİTLİ DİŞİ FİŞ KISA TİP 4.8 =RPN= | 17.00 | 6.30 | 6.20 | 0.50 - 1 | CuZn | 0.35 | Ni | - | 10,000 |

KİLİTLİ DİŞİ FİŞ KISA TİP 4.8

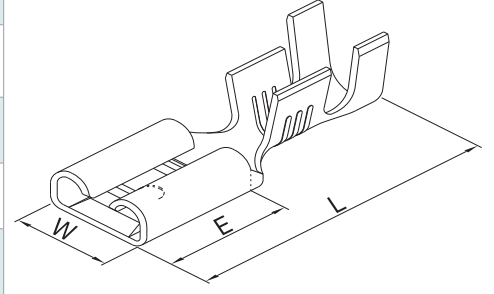


YASSI GEÇME TİPİ TERMİNAL SERİSİ / FAST-ON RECEPTACLES SERIES

4.8 mm TD 2100 SERİSİ / TD 2100 SERIES

| ÜRÜN KODU PRODUCT CODE | ÜRÜN TANIMI PRODUCT DESCRIPTION | L | E | W | KABLO KESİTİ WIRE SIZE (mm ²) | MALZEME MATERIAL | MALZEME KALINLIĞI MATERIAL THICKNES | KAPLAMA PLATING | DÖKME LOOSE | RULO CHAIN |
|------------------------------|---------------------------------------|-------|------|------|---|---------------------|--|--------------------|----------------|---------------|
| TD 2136 DP | MİNİ DİŞİ FİŞ B.A. 4.8 =DP= | 15.20 | 6.30 | 5.80 | 1 - 2.5 | CuZn | 0.35 | - | 500 | - |
| TD 2136 DPK | MİNİ DİŞİ FİŞ B.A. 4.8 =DPK= | 15.20 | 6.30 | 5.80 | 1 - 2.5 | CuZn | 0.35 | Sn | 500 | - |
| TD 2136 DPG | MİNİ DİŞİ FİŞ B.A. 4.8 =DPG= | 15.20 | 6.30 | 5.80 | 1 - 2.5 | CuZn | 0.35 | Ag | 500 | - |
| TD 2136 DPN | MİNİ DİŞİ FİŞ B.A. 4.8 =DPN= | 15.20 | 6.30 | 5.80 | 1 - 2.5 | CuZn | 0.35 | Ni | 500 | - |
| TD 2136 RP | MİNİ DİŞİ FİŞ B.A. 4.8 =RP= | 15.20 | 6.30 | 5.80 | 1 - 2.5 | CuZn | 0.35 | - | - | 10,000 |
| TD 2136 RPK | MİNİ DİŞİ FİŞ B.A. 4.8 =RPK= | 15.20 | 6.30 | 5.80 | 1 - 2.5 | CuZn | 0.35 | Sn | - | 10,000 |
| TD 2136 RPG | MİNİ DİŞİ FİŞ B.A. 4.8 =RPG= | 15.20 | 6.30 | 5.80 | 1 - 2.5 | CuZn | 0.35 | Ag | - | 10,000 |
| TD 2136 RPN | MİNİ DİŞİ FİŞ B.A. 4.8 =RPN= | 15.20 | 6.30 | 5.80 | 1 - 2.5 | CuZn | 0.35 | Ni | - | 10,000 |

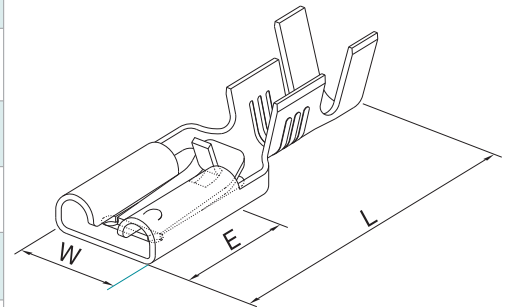
MİNİ DİŞİ FİŞ BÜYÜK AYAK 4.8



6.3 mm

| ÜRÜN KODU PRODUCT CODE | ÜRÜN TANIMI PRODUCT DESCRIPTION | L | E | W | KABLO KESİTİ WIRE SIZE (mm ²) | MALZEME MATERIAL | MALZEME KALINLIĞI MATERIAL THICKNES | KAPLAMA PLATING | DÖKME LOOSE | RULO CHAIN |
|------------------------------|--|-------|------|------|---|---------------------|--|--------------------|----------------|---------------|
| TD 2137 DP | KİLİTLİ DİŞİ FİŞ YENİ TİP 6.3 =DP= | 19.30 | 7.60 | 7.60 | 1 - 2.5 | CuZn | 0.38 | - | 300 | - |
| TD 2137 DPK | KİLİTLİ DİŞİ FİŞ YENİ TİP 6.3 =DPK= | 19.30 | 7.60 | 7.60 | 1 - 2.5 | CuZn | 0.38 | Sn | 300 | - |
| TD 2137 DPG | KİLİTLİ DİŞİ FİŞ YENİ TİP 6.3 =DPG= | 19.30 | 7.60 | 7.60 | 1 - 2.5 | CuZn | 0.38 | Ag | 300 | - |
| TD 2137 DPN | KİLİTLİ DİŞİ FİŞ YENİ TİP 6.3 =DPN= | 19.30 | 7.60 | 7.60 | 1 - 2.5 | CuZn | 0.38 | Ni | 300 | - |
| TD 2137 RP | KİLİTLİ DİŞİ FİŞ YENİ TİP 6.3 =RP= | 19.30 | 7.60 | 7.60 | 1 - 2.5 | CuZn | 0.38 | - | - | 7,000 |
| TD 2137 RPK | KİLİTLİ DİŞİ FİŞ YENİ TİP 6.3 =RPK= | 19.30 | 7.60 | 7.60 | 1 - 2.5 | CuZn | 0.38 | Sn | - | 7,000 |
| TD 2137 RPG | KİLİTLİ DİŞİ FİŞ YENİ TİP 6.3 =RPG= | 19.30 | 7.60 | 7.60 | 1 - 2.5 | CuZn | 0.38 | Ag | - | 7,000 |
| TD 2137 RPN | KİLİTLİ DİŞİ FİŞ YENİ TİP 6.3 =RPN= | 19.30 | 7.60 | 7.60 | 1 - 2.5 | CuZn | 0.38 | Ni | - | 7,000 |

KİLİTLİ DİŞİ FİŞ YENİ TİP 6.3

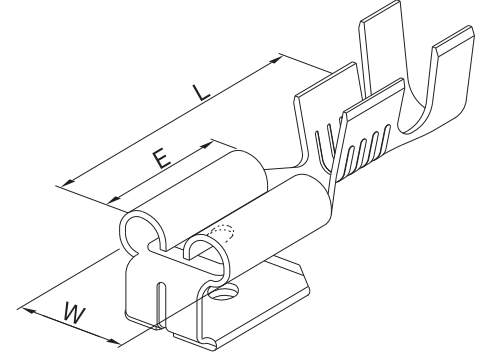


YASSI GEÇME TİPİ TERMİNAL SERİSİ / FAST-ON RECEPTACLES SERIES

6.3 mm TD 2100 SERİSİ / TD 2100 SERIES

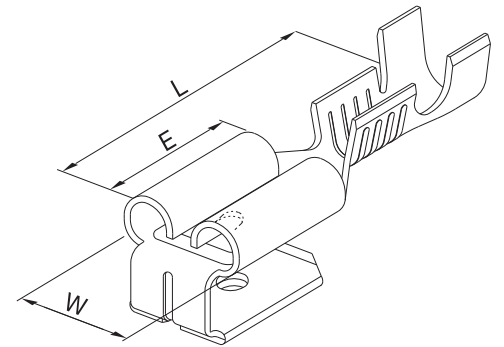
| ÜRÜN KODU PRODUCT CODE | ÜRÜN TANIMI PRODUCT DESCRIPTION | L | E | W | KABLO KESİTİ WIRE SIZE (mm ²) | MALZEME MATERIAL | MALZEME KALINLIĞI MATERIAL THICKNES | KAPLAMA PLATING | DÖKME LOOSE | RULO CHAIN |
|------------------------------|---|-------|------|------|---|---------------------|--|--------------------|----------------|---------------|
| TD 2138 DP | ERKEKLİ DİŞİ TERMİNAL B.A. 6.3 =DP= | 19.50 | 7.70 | 7.70 | 2.5 - 6 | CuZn | 0.38 | - | 150 | - |
| TD 2138 DPK | ERKEKLİ DİŞİ TERMİNAL B.A. 6.3 =DPK= | 19.50 | 7.70 | 7.70 | 2.5 - 6 | CuZn | 0.38 | Sn | 150 | - |
| TD 2138 DPG | ERKEKLİ DİŞİ TERMİNAL B.A. 6.3 =DPG= | 19.50 | 7.70 | 7.70 | 2.5 - 6 | CuZn | 0.38 | Ag | 150 | - |
| TD 2138 DPN | ERKEKLİ DİŞİ TERMİNAL B.A. 6.3 =DPN= | 19.50 | 7.70 | 7.70 | 2.5 - 6 | CuZn | 0.38 | Ni | 150 | - |
| TD 2138 RP | ERKEKLİ DİŞİ TERMİNAL B.A. 6.3 =RP= | 19.50 | 7.70 | 7.70 | 2.5 - 6 | CuZn | 0.38 | - | - | 1,750 |
| TD 2138 RPK | ERKEKLİ DİŞİ TERMİNAL B.A. 6.3 =RPK= | 19.50 | 7.70 | 7.70 | 2.5 - 6 | CuZn | 0.38 | Sn | - | 1,750 |
| TD 2138 RPG | ERKEKLİ DİŞİ TERMİNAL B.A. 6.3 =RPG= | 19.50 | 7.70 | 7.70 | 2.5 - 6 | CuZn | 0.38 | Ag | - | 1,750 |
| TD 2138 RPN | ERKEKLİ DİŞİ TERMİNAL B.A. 6.3 =RPN= | 19.50 | 7.70 | 7.70 | 2.5 - 6 | CuZn | 0.38 | Ni | - | 1,750 |

ERKEKLİ DİŞİ TERMİNAL BÜYÜK AYAK 6.3



| ÜRÜN KODU PRODUCT CODE | ÜRÜN TANIMI PRODUCT DESCRIPTION | L | E | W | KABLO KESİTİ WIRE SIZE (mm ²) | MALZEME MATERIAL | MALZEME KALINLIĞI MATERIAL THICKNES | KAPLAMA PLATING | DÖKME LOOSE | RULO CHAIN |
|------------------------------|---|-------|------|------|---|---------------------|--|--------------------|----------------|---------------|
| TD 2139 DP | ERKEKLİ DİŞİ TERMİNAL K.A. 6.3 =DP= | 19.50 | 7.70 | 7.70 | 0.50 - 1 | CuZn | 0.38 | - | 200 | - |
| TD 2139 DPK | ERKEKLİ DİŞİ TERMİNAL K.A. 6.3 =DPK= | 19.50 | 7.70 | 7.70 | 0.50 - 1 | CuZn | 0.38 | Sn | 200 | - |
| TD 2139 DPG | ERKEKLİ DİŞİ TERMİNAL K.A. 6.3 =DPG= | 19.50 | 7.70 | 7.70 | 0.50 - 1 | CuZn | 0.38 | Ag | 200 | - |
| TD 2139 DPN | ERKEKLİ DİŞİ TERMİNAL K.A. 6.3 =DPN= | 19.50 | 7.70 | 7.70 | 0.50 - 1 | CuZn | 0.38 | Ni | 200 | - |
| TD 2139 RP | ERKEKLİ DİŞİ TERMİNAL K.A. 6.3 =RP= | 19.50 | 7.70 | 7.70 | 0.50 - 1 | CuZn | 0.38 | - | - | 2,000 |
| TD 2139 RPK | ERKEKLİ DİŞİ TERMİNAL K.A. 6.3 =RPK= | 19.50 | 7.70 | 7.70 | 0.50 - 1 | CuZn | 0.38 | Sn | - | 2,000 |
| TD 2139 RPG | ERKEKLİ DİŞİ TERMİNAL K.A. 6.3 =RPG= | 19.50 | 7.70 | 7.70 | 0.50 - 1 | CuZn | 0.38 | Ag | - | 2,000 |
| TD 2139 RPN | ERKEKLİ DİŞİ TERMİNAL K.A. 6.3 =RPN= | 19.50 | 7.70 | 7.70 | 0.50 - 1 | CuZn | 0.38 | Ni | - | 2,000 |

ERKEKLİ DİŞİ TERMİNAL KÜÇÜK AYAK 6.3

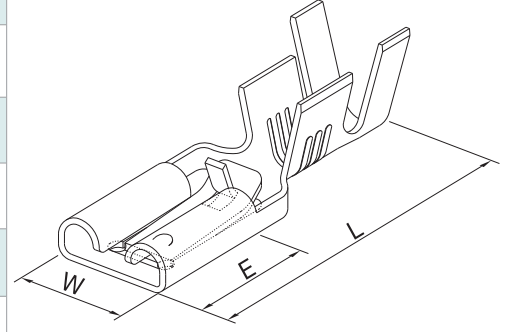


YASSI GEÇME TİPİ TERMİNAL SERİSİ / FAST-ON RECEPTACLES SERIES

6.3 mm TD 2100 SERİSİ / TD 2100 SERIES

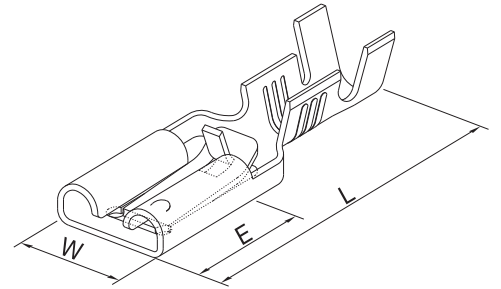
| ÜRÜN KODU PRODUCT CODE | ÜRÜN TANIMI PRODUCT DESCRIPTION | L | E | W | KABLO KESİTİ WIRE SIZE (mm ²) | MALZEME MATERIAL | MALZEME KALINLIĞI MATERIAL THICKNES | KAPLAMA PLATING | DÖKME LOOSE | RULO CHAIN |
|------------------------------|---|-------|------|------|---|---------------------|--|--------------------|----------------|---------------|
| TD 2140 DP | KİLİTLİ DİŞİ FİŞ YENİ TİP B.A. 6.3 =DP= | 19.30 | 7.60 | 7.60 | 2.5 - 4 | CuZn | 0.38 | - | 250 | - |
| TD 2140 DPK | KİLİTLİ DİŞİ FİŞ YENİ TİP B.A. 6.3 =DPK= | 19.30 | 7.60 | 7.60 | 2.5 - 4 | CuZn | 0.38 | Sn | 250 | - |
| TD 2140 DPG | KİLİTLİ DİŞİ FİŞ YENİ TİP B.A. 6.3 =DPG= | 19.30 | 7.60 | 7.60 | 2.5 - 4 | CuZn | 0.38 | Ag | 250 | - |
| TD 2140 DPN | KİLİTLİ DİŞİ FİŞ YENİ TİP B.A. 6.3 =DPN= | 19.30 | 7.60 | 7.60 | 2.5 - 4 | CuZn | 0.38 | Ni | 250 | - |
| TD 2140 RP | KİLİTLİ DİŞİ FİŞ YENİ TİP B.A. 6.3 =RP= | 19.30 | 7.60 | 7.60 | 2.5 - 4 | CuZn | 0.38 | - | - | 5.000 |
| TD 2140 RPK | KİLİTLİ DİŞİ FİŞ YENİ TİP B.A. 6.3 =RPK= | 19.30 | 7.60 | 7.60 | 2.5 - 4 | CuZn | 0.38 | Sn | - | 5.000 |
| TD 2140 RPG | KİLİTLİ DİŞİ FİŞ YENİ TİP B.A. 6.3 =RPG= | 19.30 | 7.60 | 7.60 | 2.5 - 4 | CuZn | 0.38 | Ag | - | 5.000 |
| TD 2140 RPN | KİLİTLİ DİŞİ FİŞ YENİ TİP B.A. 6.3 =RPN= | 19.30 | 7.60 | 7.60 | 2.5 - 4 | CuZn | 0.38 | Ni | - | 5.000 |

KİLİTLİ DİŞİ FİŞ YENİ TİP BÜYÜK AYAK 6.3



| ÜRÜN KODU PRODUCT CODE | ÜRÜN TANIMI PRODUCT DESCRIPTION | L | E | W | KABLO KESİTİ WIRE SIZE (mm ²) | MALZEME MATERIAL | MALZEME KALINLIĞI MATERIAL THICKNES | KAPLAMA PLATING | DÖKME LOOSE | RULO CHAIN |
|------------------------------|---|-------|------|------|---|---------------------|--|--------------------|----------------|---------------|
| TD 2141 DP | KİLİTLİ DİŞİ FİŞ YENİ TİP K.A. 6.3 =DP= | 19.50 | 7.70 | 7.70 | 0.50 - 1 | CuZn | 0.38 | - | 200 | - |
| TD 2141 DPK | KİLİTLİ DİŞİ FİŞ YENİ TİP K.A. 6.3 =DPK= | 19.50 | 7.70 | 7.70 | 0.50 - 1 | CuZn | 0.38 | Sn | 200 | - |
| TD 2141 DPG | KİLİTLİ DİŞİ FİŞ YENİ TİP K.A. 6.3 =DPG= | 19.50 | 7.70 | 7.70 | 0.50 - 1 | CuZn | 0.38 | Ag | 200 | - |
| TD 2141 DPN | KİLİTLİ DİŞİ FİŞ YENİ TİP K.A. 6.3 =DPN= | 19.50 | 7.70 | 7.70 | 0.50 - 1 | CuZn | 0.38 | Ni | 200 | - |
| TD 2141 RP | KİLİTLİ DİŞİ FİŞ YENİ TİP K.A. 6.3 =RP= | 19.50 | 7.70 | 7.70 | 0.50 - 1 | CuZn | 0.38 | - | - | 7,000 |
| TD 2141 RPK | KİLİTLİ DİŞİ FİŞ YENİ TİP K.A. 6.3 =RPK= | 19.50 | 7.70 | 7.70 | 0.50 - 1 | CuZn | 0.38 | Sn | - | 7,000 |
| TD 2141 RPG | KİLİTLİ DİŞİ FİŞ YENİ TİP K.A. 6.3 =RPG= | 19.50 | 7.70 | 7.70 | 0.50 - 1 | CuZn | 0.38 | Ag | - | 7,000 |
| TD 2141 RPN | KİLİTLİ DİŞİ FİŞ YENİ TİP K.A. 6.3 =RPN= | 19.50 | 7.70 | 7.70 | 0.50 - 1 | CuZn | 0.38 | Ni | - | 7,000 |

KİLİTLİ DİŞİ FİŞ YENİ TİP KÜÇÜK AYAK 6.3



YASSI GEÇME TİPİ TERMİNAL SERİSİ / FAST-ON RECEPTACLES SERIES

4.8 mm TD 2100 SERİSİ / TD 2100 SERIES

| ÜRÜN KODU PRODUCT CODE | ÜRÜN TANIMI PRODUCT DESCRIPTION | L | E | W | KABLO KESİTİ WIRE SIZE (mm ²) | MALZEME MATERIAL | MALZEME KALINLIĞI MATERIAL THICKNES | KAPLAMA PLATING | DÖKME LOOSE | RULO CHAIN |
|------------------------------|---|-------|------|------|---|---------------------|--|--------------------|----------------|---------------|
| TD 2142 DP | KİLİTLİ DİŞİ FİŞ KISA TİP B.A. 4.8 =DP= | 17.00 | 6.30 | 6.20 | 1 - 2.5 | CuZn | 0.35 | - | 400 | - |
| TD 2142 DPK | KİLİTLİ DİŞİ FİŞ KISA TİP B.A. 4.8 =DPK= | 17.00 | 6.30 | 6.20 | 1 - 2.5 | CuZn | 0.35 | Sn | 400 | - |
| TD 2142 DPG | KİLİTLİ DİŞİ FİŞ KISA TİP B.A. 4.8 =DPG= | 17.00 | 6.30 | 6.20 | 1 - 2.5 | CuZn | 0.35 | Ag | 400 | - |
| TD 2142 DPN | KİLİTLİ DİŞİ FİŞ KISA TİP B.A. 4.8 =DPN= | 17.00 | 6.30 | 6.20 | 1 - 2.5 | CuZn | 0.35 | Ni | 400 | - |
| TD 2142 RP | KİLİTLİ DİŞİ FİŞ KISA TİP B.A. 4.8 =RP= | 17.00 | 6.30 | 6.20 | 1 - 2.5 | CuZn | 0.35 | - | - | 8.000 |
| TD 2142 RPK | KİLİTLİ DİŞİ FİŞ KISA TİP B.A. 4.8 =RPK= | 17.00 | 6.30 | 6.20 | 1 - 2.5 | CuZn | 0.35 | Sn | - | 8.000 |
| TD 2142 RPG | KİLİTLİ DİŞİ FİŞ KISA TİP B.A. 4.8 =RPG= | 17.00 | 6.30 | 6.20 | 1 - 2.5 | CuZn | 0.35 | Ag | - | 8.000 |
| TD 2142 RPN | KİLİTLİ DİŞİ FİŞ KISA TİP B.A. 4.8 =RPN= | 17.00 | 6.30 | 6.20 | 1 - 2.5 | CuZn | 0.35 | Ni | - | 8.000 |

KİLİTLİ DİŞİ FİŞ KISA TİP BÜYÜK AYAK 4.8

