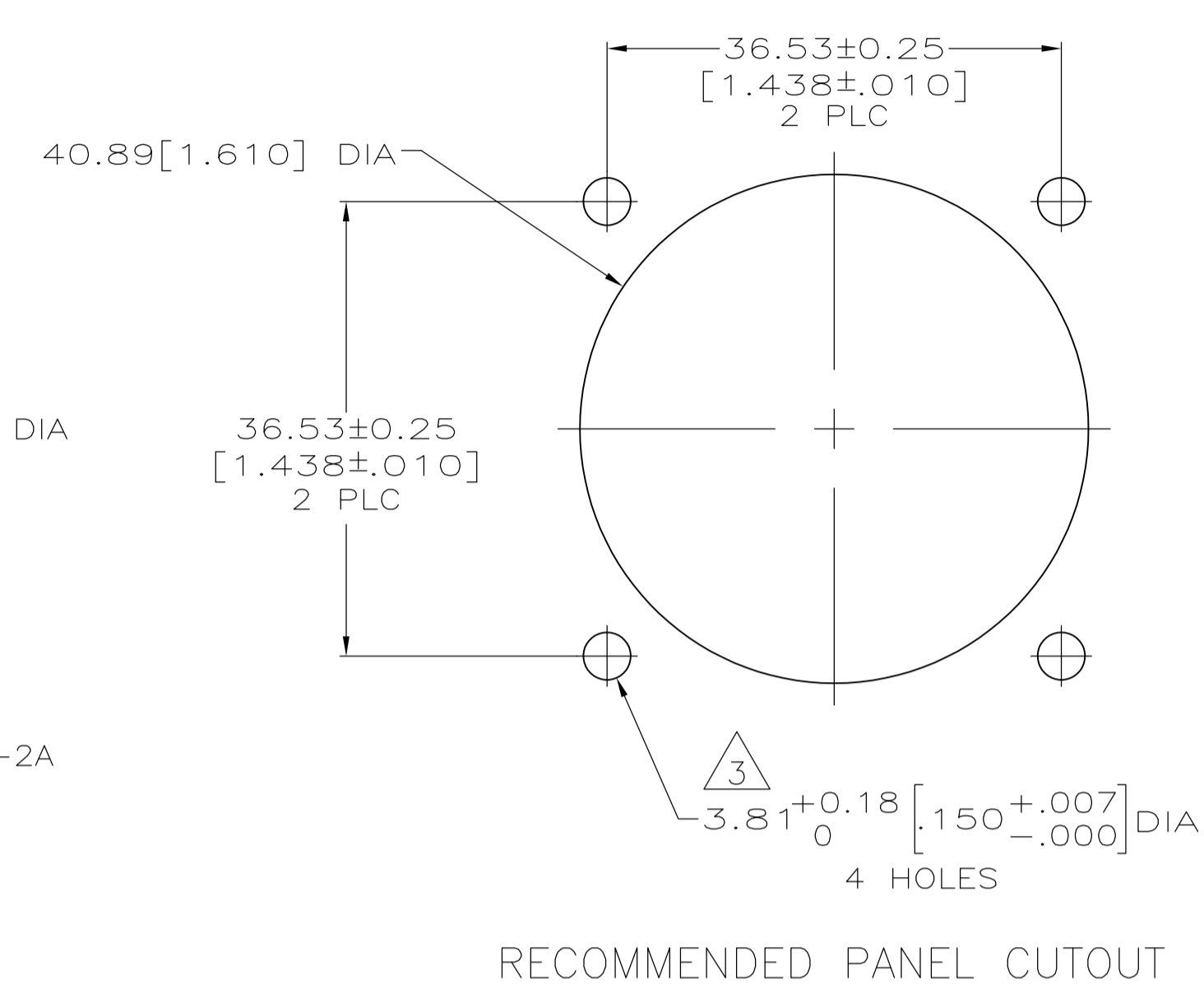
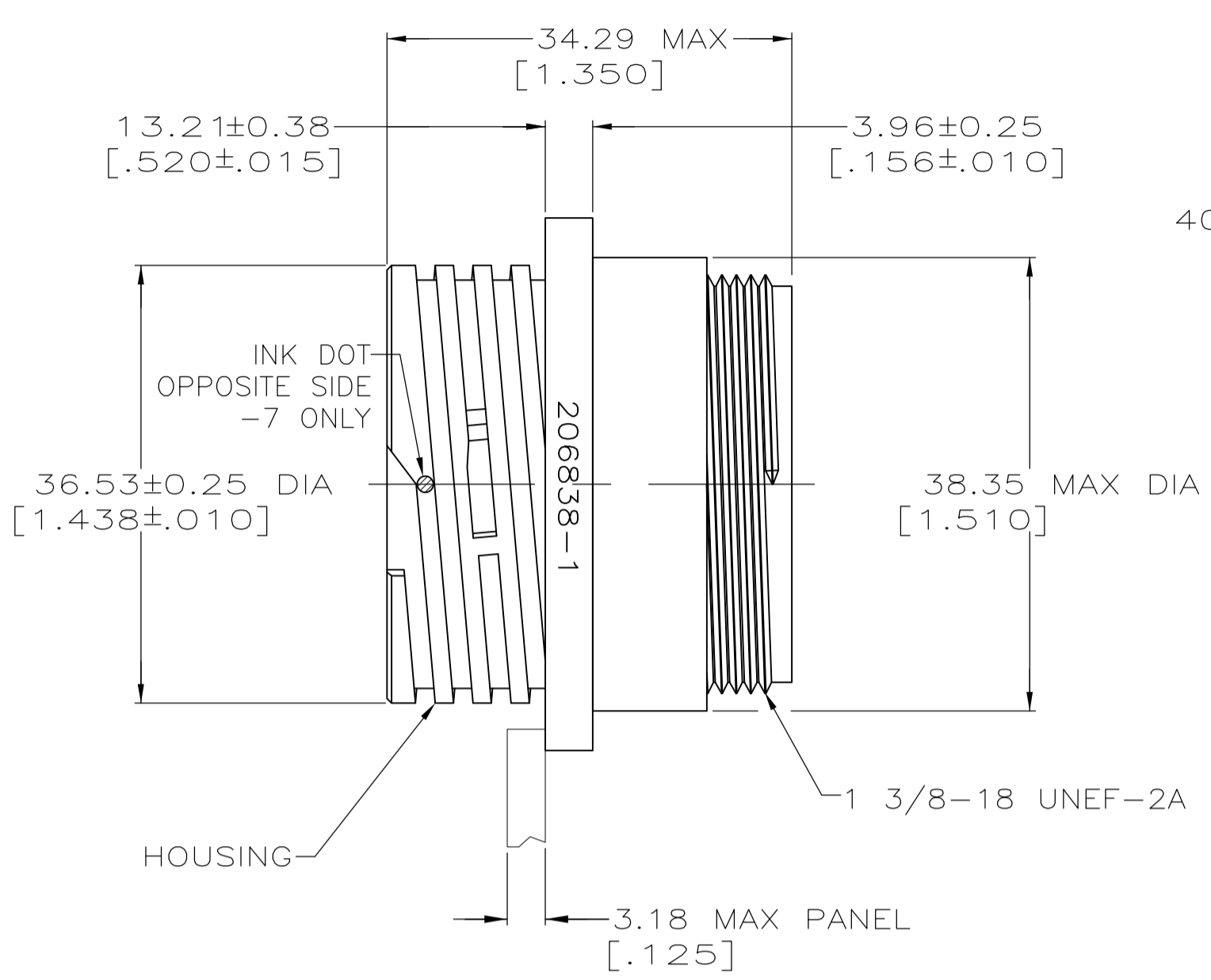
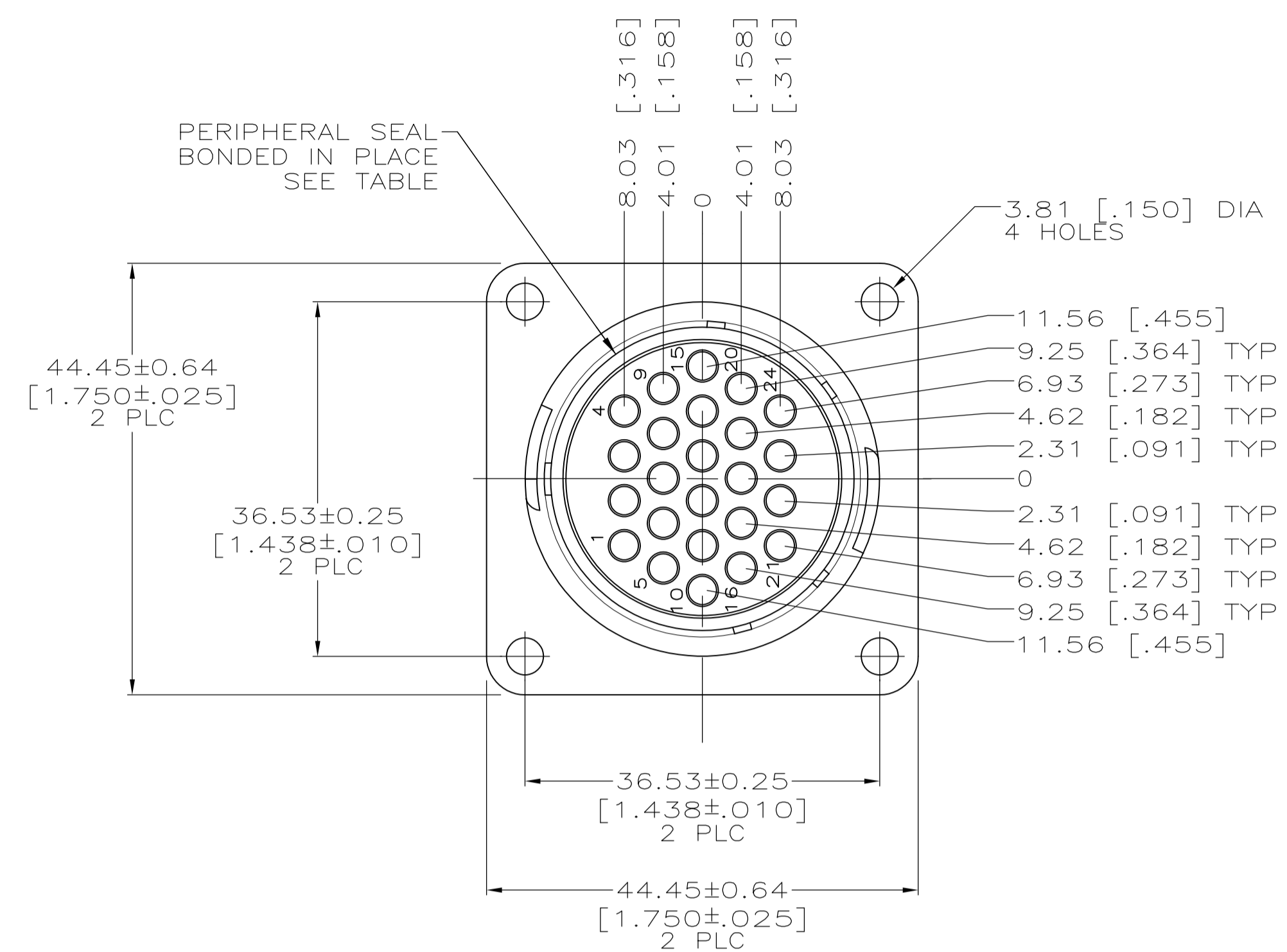
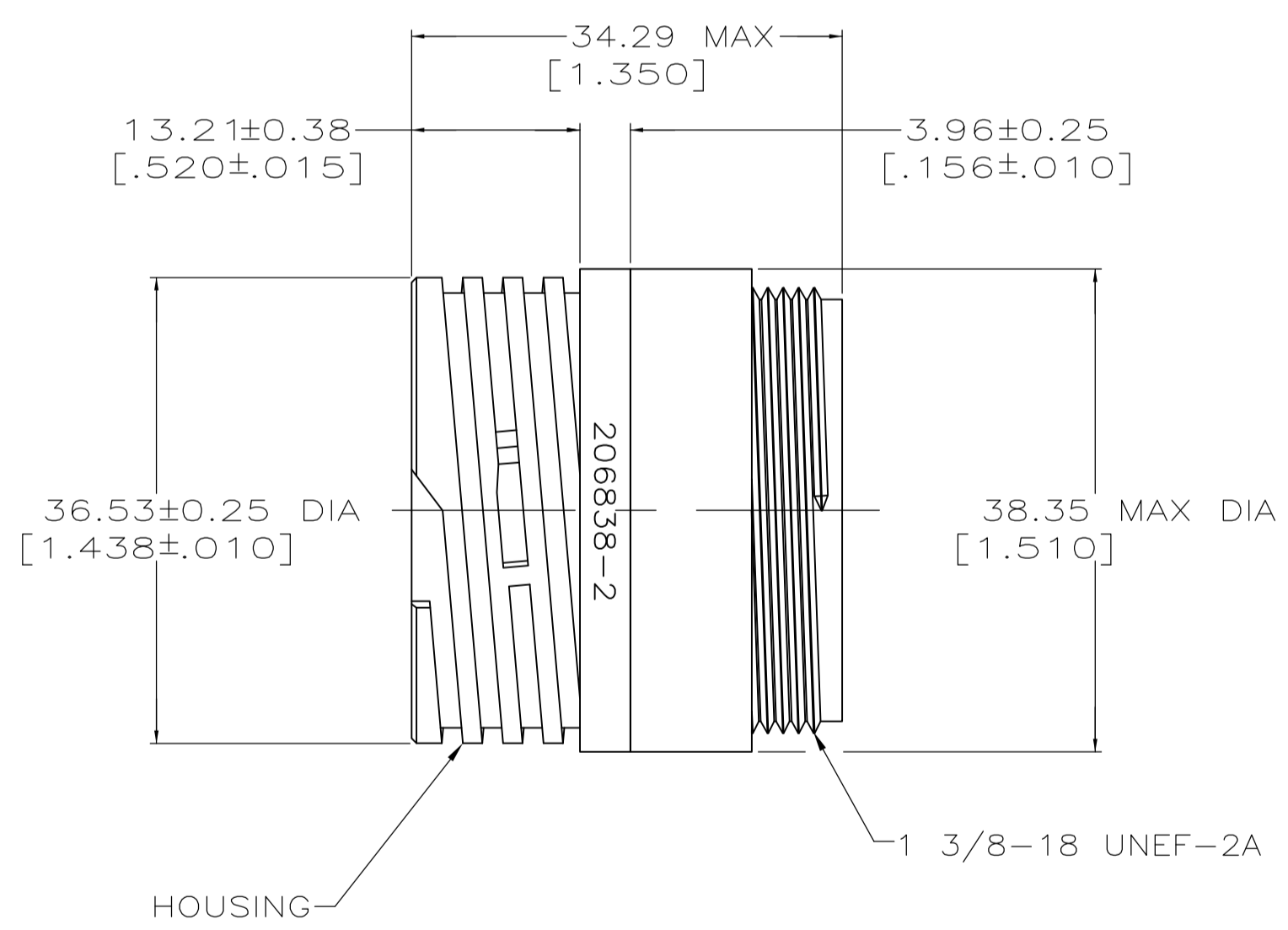
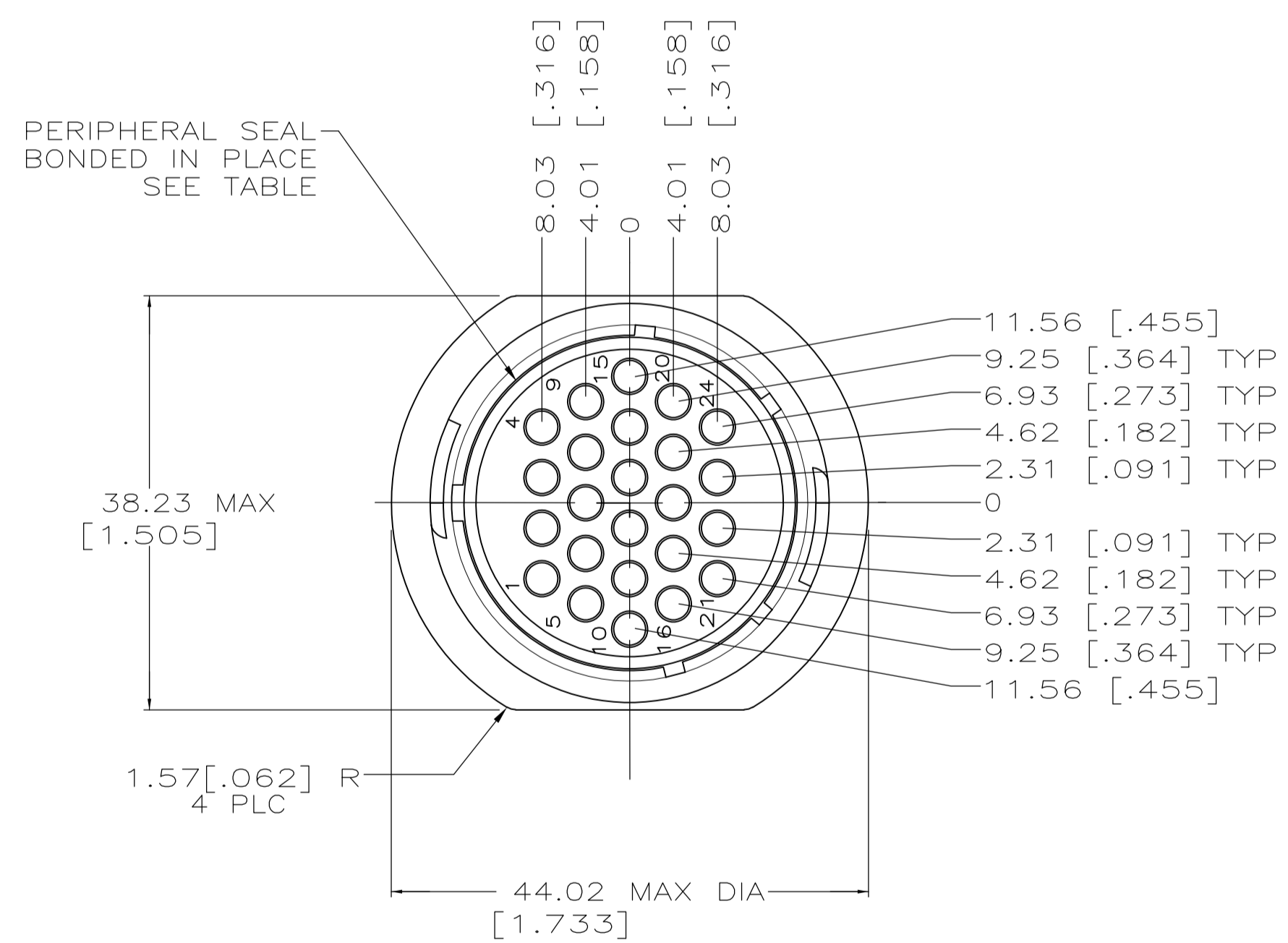


| REVISIONS | | | | | |
|-----------|-----|---------------------------|-----------|-----|------|
| P | LTR | DESCRIPTION | DATE | DN | APVD |
| L1 | | REVISED PER ECO-16-004800 | 10SEP2016 | NK | MZ |
| M | | REVISED PER ECR-16-017870 | 20APR2017 | BDA | MZ |



DETAIL A



DETAIL B

- 1 CAVITY IDENTIFICATION ON FRONT AND REAR FACE.
- 2 WILL ACCEPT (24) MULTIMATE PIN CONTACTS.
- 3 NO 4 FASTENER RECOMMENDED FOR MOUNTING.
- 4 MAXIMUM INSULATION NOT TO EXCEED .150 DIA.
- 5 WHITE DOT NEAR POSITION 1 ON WIRE ENTRY FACE.

| | | | | |
|----------|------------|-----------------|------------|-------------|
| OBsolete | STANDARD | YES | A | 206838-8 |
| OBsolete | STANDARD | YES | A | 206838-7 |
| OBsolete | SMALL PACK | NO | A | 206838-5 |
| | STANDARD | YES | B | 206838-4 |
| | STANDARD | YES | A | 206838-3 |
| | STANDARD | NO | B | 206838-2 |
| | STANDARD | NO | A | 206838-1 |
| | PACKAGING | PERIPHERAL SEAL | SEE DETAIL | PART NUMBER |

THIS DRAWING IS A CONTROLLED DOCUMENT.

| | | | | |
|---------------------------------|--|-----------------------|----------------------|-------------|
| DIMENSIONS: mm [INCHES] | TOLERANCES UNLESS OTHERWISE SPECIFIED: | DIN D.GELTZ 10/29/92 | DRW R.STONE 08/11/93 | NAME |
| 0 PLC ± - | 1 PLC ± - | 2 PLC ± ± 0.13 [.005] | 3 PLC ± ± - | 4 PLC ± ± - |
| MATERIAL: HOUSING: NYLON, BLACK | | FINISH: - | | WEIGHT: - |
| CUSTOMER DRAWING | | SCALE: 2:1 | SHEET 1 OF 1 | REV M |

STE TE Connectivity

RECEPTACLE HOUSING, STANDARD SEX, SHELL SIZE 23, CPC

108-10024

SIZE: A1

Mouser Electronics

Authorized Distributor

Click to View Pricing, Inventory, Delivery & Lifecycle Information:

[TE Connectivity:](#)

[206838-1](#)