


Features

- Radial leaded devices
- Fast tripping resettable PTCs
- Binned and sorted narrow resistance ranges available
- RoHS compliant*
- Agency recognition: 

Applications

- Customer Premise Equipment (CPE)
- Central Office / Telecom Centers (CO)
- Access equipment

MF-RX/250 Series - Telecom PTC Resettable Fuses

Electrical Characteristics

Model	Max. Operating Voltage (Vdc)	Max. Interrupt Ratings		Hold Current	Initial Resistance		One Hour Post-Trip Resistance
		Volts (Vrms)	Amps (A)		Amps at 23 °C	Ohms at 23 °C	
		Max.	Max.	I _H	Min.	Max.	Max.
MF-RX012/250	60	250	3.0	0.12	4.0	8.0	16.0
MF-RX012/250-A	60	250	3.0	0.12	7.0	9.0	16.0
MF-RX012/250-C	60	250	3.0	0.12	5.5	7.5	14.0
MF-RX012/250-F	60	250	3.0	0.12	6.0	10.5	16.0
MF-RX012/250-1	60	250	3.0	0.12	6.0	9.0	16.0
MF-RX012/250-2	60	250	3.0	0.12	8.0	10.5	16.0
MF-RX012/250-T	60	250	3.0	0.12	7.0	12.0	16.0
MF-RX012/250U	60	250	3.0	0.12	6.0	10.0	16.0
MF-RX014/250	60	250	3.0	0.145	3.0	6.0	14.0
MF-RX014/250-A	60	250	3.0	0.145	3.0	5.5	12.0
MF-RX014/250-B	60	250	3.0	0.145	4.5	6.0	14.0
MF-RX014/250-T	60	250	3.0	0.145	5.4	7.5	14.0
MF-RX014/250U	60	250	3.0	0.145	3.5	6.5	12.0
MF-RX018/250	60	250	10.0	0.18	0.8	2.0	4.0
MF-RX018/250U	60	250	10.0	0.18	0.8	2.0	4.0

*"U" suffix indicates product without insulation coating.

Environmental Characteristics

Operating/Storage Temperature	-40 °C to +85 °C
Maximum Device Surface Temperature in Tripped State	125 °C
Passive Aging	+85 °C, 1000 hours..... ±15 % typical resistance change
Humidity Aging	+85 °C, 85 % R.H. 1000 hours..... ±15 % typical resistance change
Thermal Shock	+125 °C to -55 °C, 10 times..... ±15 % typical resistance change
Solvent Resistance.....	MIL-STD-202, Method 215B..... No change
Lead Solderability	ANSI/J-STD-002..... >95 % coverage
Vibration	MIL-STD-883C, Method 2007.1, Condition A..... ±5 % typical resistance change
Moisture Sensitivity Level (MSL)	Level 1
ESD Classification - HBM.....	Class 6

Test Procedures And Requirements For Model MF-RX/250 Series

Test	Test Conditions	Accept/Reject Criteria
Visual/Mech	Verify dimensions and materials	Per MF physical description
Resistance	In still air @ 23 °C.....	R _{min} ≤ R ≤ R _{max}
Time to Trip.....	TTT current, V _{max} , 23 °C.....	T ≤ max. time to trip (seconds)
Hold Current	30 min. at I _{hold}	No trip
Trip Cycle Life.....	250 Vrms, 3A, 10 cycles	No arcing or burning
UL File Number	E174545	
TÜV File Number.....	50260658	



WARNING Cancer and Reproductive Harm - www.P65Warnings.ca.gov

*RoHS Directive 2002/95/EC Jan. 27, 2003 including annex and RoHS Recast 2011/65/EU June 8, 2011.

Specifications are subject to change without notice.

Users should verify actual device performance in their specific applications.

The products described herein and this document are subject to specific legal disclaimers as set forth on the last page of this document, and at www.bourns.com/docs/legal/disclaimer.pdf.

Additional Features

- Ability to withstand AC power cross conditions
- Assists equipment with meeting ITU-T K.20/K.21/K.45
- Assists equipment with meeting Telcordia GR-1089-C Intrabuilding

MF-RX/250 Series - Telecom PTC Resettable Fuses

BOURNS®

Thermal Derating Chart - I_{hold} (Amps)

Model	Ambient Operating Temperature								
	-40 °C	-20 °C	0 °C	23 °C	40 °C	50 °C	60 °C	70 °C	85 °C
MF-RX012/250	0.186	0.165	0.143	0.120	0.099	0.088	0.077	0.066	0.050
MF-RX014/250	0.225	0.199	0.172	0.145	0.119	0.106	0.093	0.080	0.060
MF-RX018/250	0.269	0.240	0.211	0.180	0.153	0.138	0.123	0.109	0.087

I_{trip} is approximately two times I_{hold} .

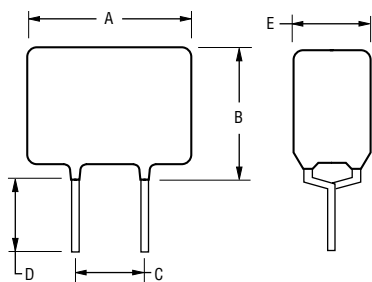
Product Dimensions

Model	A Max.	B Max.	C Nom.	D Min.	E Max.	Physical Characteristics		
						Lead Dia.	Style	Material
MF-RX012/250	$\frac{6.5}{(0.256)}$	$\frac{11.0}{(0.433)}$	$\frac{5.1 \pm 0.7}{(0.201 \pm 0.028)}$	$\frac{4.7}{(0.185)}$	$\frac{4.6}{(0.181)}$	$\frac{0.65}{(0.026)}$	1	Sn/Cu
MF-RX012/250U	$\frac{6.0}{(0.236)}$	$\frac{10.0}{(0.394)}$	$\frac{5.1 \pm 0.7}{(0.201 \pm 0.028)}$	$\frac{4.7}{(0.185)}$	$\frac{3.8}{(0.150)}$	$\frac{0.65}{(0.026)}$	2	Sn/Cu
MF-RX014/250	$\frac{6.5}{(0.256)}$	$\frac{11.0}{(0.433)}$	$\frac{5.1 \pm 0.7}{(0.201 \pm 0.028)}$	$\frac{4.7}{(0.185)}$	$\frac{4.6}{(0.181)}$	$\frac{0.65}{(0.026)}$	1	Sn/Cu
MF-RX014/250U	$\frac{6.0}{(0.236)}$	$\frac{10.0}{(0.394)}$	$\frac{5.1 \pm 0.7}{(0.201 \pm 0.028)}$	$\frac{4.7}{(0.185)}$	$\frac{3.8}{(0.150)}$	$\frac{0.65}{(0.026)}$	2	Sn/Cu
MF-RX018/250	$\frac{11.0}{(0.433)}$	$\frac{13.6}{(0.535)}$	$\frac{5.1 \pm 0.7}{(0.201 \pm 0.028)}$	$\frac{4.7}{(0.185)}$	$\frac{4.6}{(0.181)}$	$\frac{0.65}{(0.026)}$	1	Sn/Cu
MF-RX018/250U	$\frac{10.4}{(0.409)}$	$\frac{12.6}{(0.496)}$	$\frac{5.1 \pm 0.7}{(0.201 \pm 0.028)}$	$\frac{4.7}{(0.185)}$	$\frac{3.8}{(0.150)}$	$\frac{0.65}{(0.026)}$	2	Sn/Cu

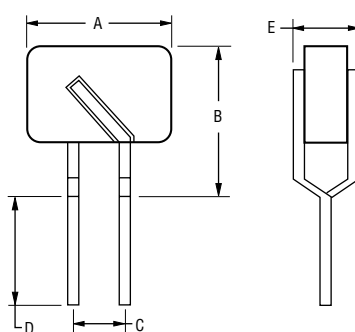
Packaging options: BULK: 500 pcs. per bag. TAPE & REEL: 1500 pcs. per reel (available binned).

DIMENSIONS: $\frac{MM}{(INCHES)}$

Style 1

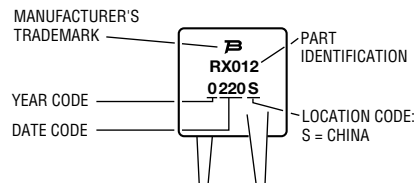


Style 2



Typical Part Marking

Represents total content. Layout may vary.



Specifications are subject to change without notice.

Users should verify actual device performance in their specific applications.

The products described herein and this document are subject to specific legal disclaimers as set forth on the last page of this document, and at www.bourns.com/docs/legal/disclaimer.pdf.

MF-RX/250 Series - Telecom PTC Resettable Fuses

BOURNS®

How to Order

MF - RX 012/250 U - A 5 - 2

Multifuse®
Product Designator

Series
RX = Radial Leaded Component

Hold Current, I_{hold}
008-018 (0.08-0.18 Amps)

Max. Interrupt Voltage, V
250 (250 Volts)

Telecom Options
U = Uncoated (radial parts only)

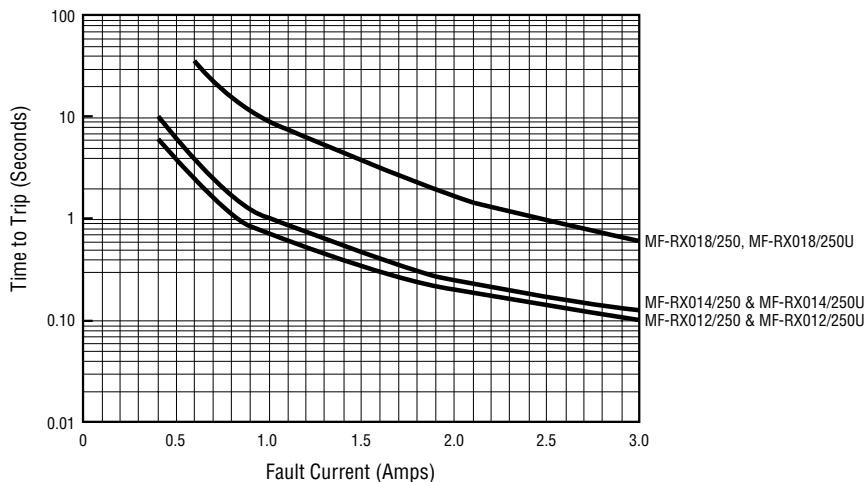
Resistance Sorted
Narrow resistance ranges - see Resistance Options chart

Resistance Bins of 0.5 ohms
05 = 0.5 ohm binned parts (epoxy coated)
5 = 0.5 ohm binned parts (uncoated)

Packaging Options
- 0 = Bulk Packaging
- 2 = Tape and Reel* (available with binned option)

*Packaged per EIA486-B

Typical Time to Trip at 23 °C



Resistance Options

Model	Initial Resistance Values		R1max	Bin
	Ohms @ 23 °C		Ohms @ 23 °C	
	Min.	Max.	Max.	
MF-RX012/250	4.0	8.0	16.0	N/A
MF-RX012/250-A05	7.0	9.0	16.0	0.5
MF-RX012/250-C05	5.5	7.5	14.0	0.5
MF-RX012/250-F05	6.0	10.5	16.0	0.5
MF-RX012/250-105	6.0	9.0	16.0	0.5
MF-RX012/250-205	8.0	10.5	16.0	0.5
MF-RX012/250-T05	7.0	12.0	16.0	0.5
MF-RX012/250U	6.0	10.0	16.0	N/A
MF-RX014/250	3.0	6.0	14.0	N/A
MF-RX014/250-A05	3.0	5.5	12.0	0.5
MF-RX014/250-B05	4.5	6.0	14.0	0.5
MF-RX014/250U	3.5	6.5	12.0	N/A

MF-RX/250, REV. N 06/17

Specifications are subject to change without notice.

Users should verify actual device performance in their specific applications.

The products described herein and this document are subject to specific legal disclaimers as set forth on the last page of this document, and at www.bourns.com/docs/legal/disclaimer.pdf.

MF-RX/250 Series Tape and Reel Specifications

BOURNS®

Devices taped using EIA468–B/IEC286-2 standards. See table below and Figures 1 through 4 for details.

Dimension Description	IEC Mark	EIA Mark	Dimensions	
			Dimensions	Tolerance
Carrier tape width	W	W	$\frac{18}{(.709)}$	$\frac{-0.5/+1.0}{(-0.02/+0.039)}$
Hold down tape width	W_0	W_4	$\frac{11}{(.433)}$	min.
Hold down tape			No protrusion	
Top distance between tape edges	W_2	W_6	$\frac{3}{(.118)}$	max.
Sprocket hole position	W_1	W_5	$\frac{9}{(.354)}$	$\frac{-0.5/+0.75}{(-0.02/+0.03)}$
Sprocket hole diameter	D_0	D_0	$\frac{4}{(.157)}$	$\frac{\pm 0.2}{(\pm 0.078)}$
Abscissa to plane (straight lead)	H	H	$\frac{18.5}{(.728)}$	$\frac{\pm 3.0}{(\pm 1.18)}$
Abscissa to plane (kinked lead)	H_0	H_0	$\frac{16}{(.63)}$	$\frac{\pm 0.5}{(\pm 0.2)}$
Abscissa to top (straight lead)	H_1	H_1	$\frac{38.0}{(1.496)}$	max.
Abscissa to top (kinked lead)	H_1	H_1	$\frac{32.2}{(1.268)}$	max.
Overall width w/lead protrusion (straight lead)		C_1	$\frac{55.0}{(2.165)}$	max.
Overall width w/lead protrusion (kinked lead)		C_1	$\frac{43.2}{(1.7)}$	max.
Overall width w/o lead protrusion (straight lead)		C_2	$\frac{54.0}{(2.126)}$	max.
Overall width w/o lead protrusion (kinked lead)		C_2	$\frac{42.5}{(1.673)}$	max.
Protrusion of cutout	L	L	$\frac{11}{(.433)}$	max.
Sprocket hole pitch	P_0	P_0	$\frac{12.7}{(0.5)}$	$\frac{\pm 0.3}{(\pm 0.12)}$
Pitch tolerance			20 consecutive	$\frac{\pm 1}{(\pm 0.039)}$
Device pitch			$\frac{12.7}{(0.5)}$	$\frac{\pm 0.3}{(\pm 0.12)}$
Tape thickness	t	t	$\frac{0.9}{(.035)}$	max.
Tape thickness with splice		t_1	$\frac{1.5}{(.059)}$	max.
Splice sprocket hole alignment			0	$\frac{\pm 0.3}{(\pm 0.12)}$
Body lateral deviation	Δ_h	Δ_h	0	$\frac{\pm 1.0}{(\pm 0.039)}$
Body tape plane deviation	Δ_p	Δ_p	0	$\frac{\pm 1.3}{(\pm 0.051)}$
Lead spacing	F	F	$\frac{5.08}{(0.2)}$	$\frac{-0.5/+0.6}{(-.020/+0.024)}$
Reel width	w	W_2	$\frac{56.0}{(2.205)}$	max.
Reel diameter	d	a	$\frac{370.0}{(14.57)}$	max.
Space between flanges less device	W_1	h	$\frac{4.75}{(.187)}$	$\frac{\pm 3.25}{(\pm 1.28)}$
Arbor hole diameter	f	c	$\frac{26.0}{(1.024)}$	$\frac{\pm 12.0}{(\pm 4.72)}$
Core diameter	h	n	$\frac{91}{(3.58)}$	max.
Box			$\frac{67}{(2.64)}$ $\frac{372}{(14.6)}$ $\frac{362}{(14.25)}$	max.
Consecutive missing places			none	
Empty places per reel			0.1 %	

MM
(INCHES)

DIMENSIONS:

Specifications are subject to change without notice.

Users should verify actual device performance in their specific applications.

The products described herein and this document are subject to specific legal disclaimers as set forth on the last page of this document, and at www.bourns.com/docs/legal/disclaimer.pdf.

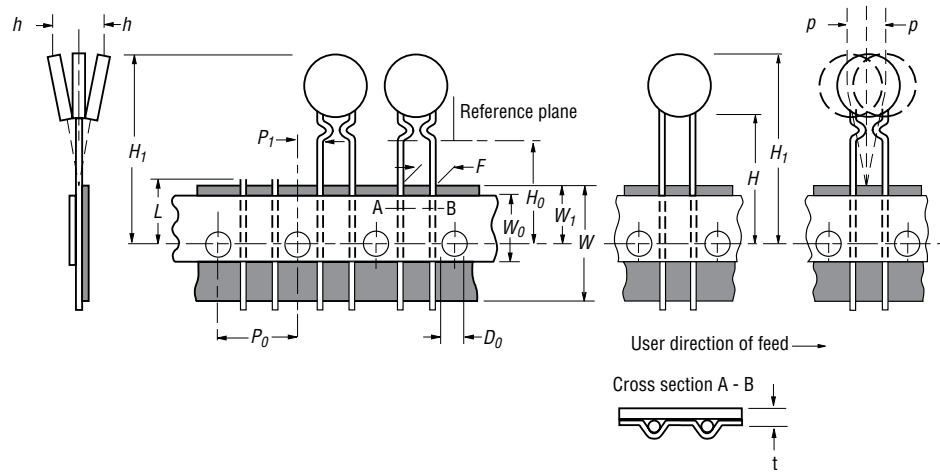
MF-RX/250 Series Tape and Reel Specifications

BOURNS®

Taped Component Dimensions - Figure 1

Applies to Models:

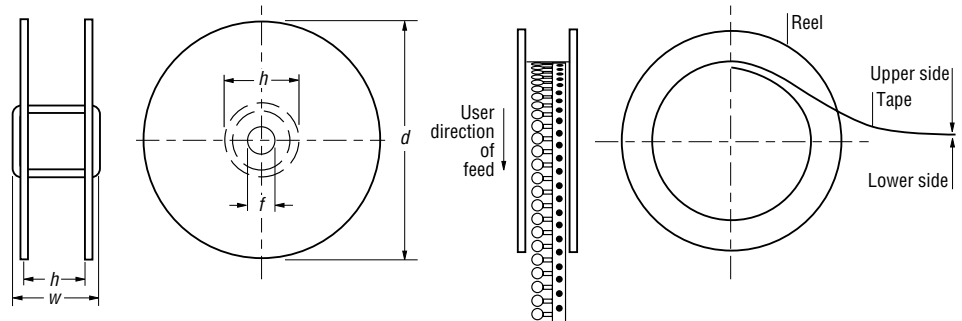
MF-RX012/250U
MF-RX014/250U
MF-RX018/250
MF-RX018/250U



Reel Dimensions - Figure 2

Applies to Models:

MF-RX012/250U
MF-RX014/250U
MF-RX018/250
MF-RX018/250U



DIMENSIONS: $\frac{\text{MM}}{\text{(INCHES)}}$

MF-RX/250 Series Tape and Reel Specifications

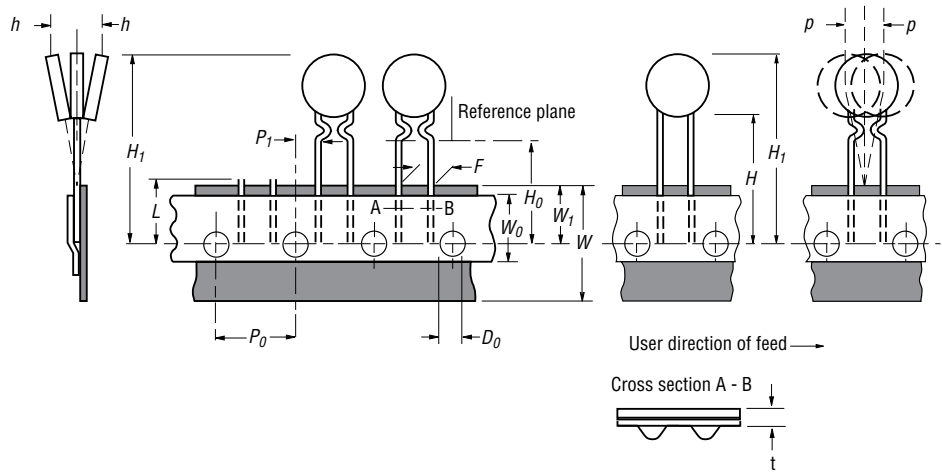
BOURNS®

Taped Component Dimensions - Figure 3

Applies to Models:

MF-RX012/250
 MF-RX012/250-A
 MF-RX012/250-C
 MF-RX012/250-F
 MF-RX012/250-1
 MF-RX012/250-2
 MF-RX012/250-T

MF-RX014/250
 MF-RX014/250-A
 MF-RX014/250-B
 MF-RX014-250-T

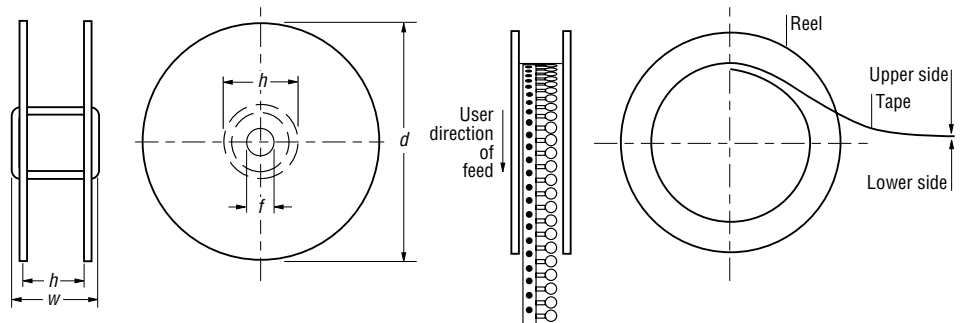


Reel Dimensions - Figure 4

Applies to Models:

MF-RX012/250
 MF-RX012/250-A
 MF-RX012/250-C
 MF-RX012/250-F
 MF-RX012/250-1
 MF-RX012/250-2
 MF-RX012/250-T

MF-RX014/250
 MF-RX014/250-A
 MF-RX014/250-B
 MF-RX014-250-T



DIMENSIONS: $\frac{\text{MM}}{\text{(INCHES)}}$

Specifications are subject to change without notice.

Users should verify actual device performance in their specific applications.

The products described herein and this document are subject to specific legal disclaimers as set forth on the last page of this document, and at www.bourns.com/docs/legal/disclaimer.pdf.

This legal disclaimer applies to purchasers and users of Bourns® products manufactured by or on behalf of Bourns, Inc. and its affiliates (collectively, “Bourns”).

Unless otherwise expressly indicated in writing, Bourns® products and data sheets relating thereto are subject to change without notice. Users should check for and obtain the latest relevant information and verify that such information is current and complete before placing orders for Bourns® products.

The characteristics and parameters of a Bourns® product set forth in its data sheet are based on laboratory conditions, and statements regarding the suitability of products for certain types of applications are based on Bourns’ knowledge of typical requirements in generic applications. The characteristics and parameters of a Bourns® product in a user application may vary from the data sheet characteristics and parameters due to (i) the combination of the Bourns® product with other components in the user’s application, or (ii) the environment of the user application itself. The characteristics and parameters of a Bourns® product also can and do vary in different applications and actual performance may vary over time. Users should always verify the actual performance of the Bourns® product in their specific devices and applications, and make their own independent judgments regarding the amount of additional test margin to design into their device or application to compensate for differences between laboratory and real world conditions.

Unless Bourns has explicitly designated an individual Bourns® product as meeting the requirements of a particular industry standard (e.g., ISO/TS 16949) or a particular qualification (e.g., UL listed or recognized), Bourns is not responsible for any failure of an individual Bourns® product to meet the requirements of such industry standard or particular qualification. Users of Bourns® products are responsible for ensuring compliance with safety-related requirements and standards applicable to their devices or applications.

Bourns® products are not recommended, authorized or intended for use in nuclear, lifesaving, life-critical or life-sustaining applications, nor in any other applications where failure or malfunction may result in personal injury, death, or severe property or environmental damage. Unless expressly and specifically approved in writing by two authorized Bourns representatives on a case-by-case basis, use of any Bourns® products in such unauthorized applications might not be safe and thus is at the user’s sole risk. Life-critical applications include devices identified by the U.S. Food and Drug Administration as Class III devices and generally equivalent classifications outside of the United States.

Bourns expressly identifies those Bourns® standard products that are suitable for use in automotive applications on such products’ data sheets in the section entitled “Applications.” Unless expressly and specifically approved in writing by two authorized Bourns representatives on a case-by-case basis, use of any other Bourns® standard products in an automotive application might not be safe and thus is not recommended, authorized or intended and is at the user’s sole risk. If Bourns expressly identifies a sub-category of automotive application in the data sheet for its standard products (such as infotainment or lighting), such identification means that Bourns has reviewed its standard product and has determined that if such Bourns® standard product is considered for potential use in automotive applications, it should only be used in such sub-category of automotive applications. Any reference to Bourns® standard product in the data sheet as compliant with the AEC-Q standard or “automotive grade” does not by itself mean that Bourns has approved such product for use in an automotive application.

Bourns® standard products are not tested to comply with United States Federal Aviation Administration standards generally or any other generally equivalent governmental organization standard applicable to products designed or manufactured for use in aircraft or space applications. Bourns expressly identifies Bourns® standard products that are suitable for use in aircraft or space applications on such products’ data sheets in the section entitled “Applications.” Unless expressly and specifically approved in writing by two authorized Bourns representatives on a case-by-case basis, use of any other Bourns® standard product in an aircraft or space application might not be safe and thus is not recommended, authorized or intended and is at the user’s sole risk.

The use and level of testing applicable to Bourns® custom products shall be negotiated on a case-by-case basis by Bourns and the user for which such Bourns® custom products are specially designed. Absent a written agreement between Bourns and the user regarding the use and level of such testing, the above provisions applicable to Bourns® standard products shall also apply to such Bourns® custom products.

Users shall not sell, transfer, export or re-export any Bourns® products or technology for use in activities which involve the design, development, production, use or stockpiling of nuclear, chemical or biological weapons or missiles, nor shall they use Bourns® products or technology in any facility which engages in activities relating to such devices. The foregoing restrictions apply to all uses and applications that violate national or international prohibitions, including embargos or international regulations. Further, Bourns® products and Bourns technology and technical data may not under any circumstance be exported or re-exported to countries subject to international sanctions or embargoes. Bourns® products may not, without prior authorization from Bourns and/or the U.S. Government, be resold, transferred, or re-exported to any party not eligible to receive U.S. commodities, software, and technical data.

To the maximum extent permitted by applicable law, Bourns disclaims (i) any and all liability for special, punitive, consequential, incidental or indirect damages or lost revenues or lost profits, and (ii) any and all implied warranties, including implied warranties of fitness for particular purpose, non-infringement and merchantability.

For your convenience, copies of this Legal Disclaimer Notice with German, Spanish, Japanese, Traditional Chinese and Simplified Chinese bilingual versions are available at:

Web Page: <http://www.bourns.com/legal/disclaimers-terms-and-policies>

PDF: <http://www.bourns.com/docs/Legal/disclaimer.pdf>

Mouser Electronics

Authorized Distributor

Click to View Pricing, Inventory, Delivery & Lifecycle Information:

Bourns:

[MF-R014/250-2](#) [MF-R012/250-0](#) [MF-R014/250-0](#) [MF-R012/250-2](#) [MF-R012/250U-0](#) [MF-R012/250U-2](#) [MF-R018/250U-0](#) [MF-R011/250U-0](#) [MF-R011/250U-2](#) [MF-R014/250U-2](#) [MF-R014/250U-0](#) [MF-RX008/250U-2](#) [MF-RX018/250-2](#) [MF-RX012/250U-15-0](#) [MF-RX012/250U-15-2](#) [MF-RX012/250U-25-0](#) [MF-RX012/250U-25-2](#) [MF-RX012/250U-A5-0](#) [MF-RX012/250U-A5-2](#) [MF-RX012/250U-C5-0](#) [MF-RX012/250U-C5-2](#) [MF-RX012/250U-F5-0](#) [MF-RX012/250U-F5-2](#) [MF-RX012/250U-T5-0](#) [MF-RX012/250U-T5-2](#) [MF-RX014/250U-A5-0](#) [MF-RX014/250U-A5-2](#) [MF-RX014/250U-B5-0](#) [MF-RX014/250U-B5-2](#) [MF-RX018/250-0](#) [MF-RX018/250F-0](#) [MF-RX018/250F-2](#) [MF-R008/250-0](#) [MF-R018/250-2](#) [MF-R008/250U-2](#) [MF-R008/250U-0](#) [MF-RX018/250U-0](#) [MF-RX018/250U-2](#) [MF-RX012/250-0](#) [MF-RX012/250-05](#) [MF-RX012/250-2](#) [MF-RX012/250-T-0](#) [MF-RX012/250-T-2](#) [MF-RX012/250U-0](#) [MF-RX012/250U-2](#) [MF-RX014/250-0](#) [MF-RX014/250-2](#) [MF-RX014/250U-0](#) [MF-RX014/250U-2](#) [MF-RX012/250-2-0](#) [MF-RX012/250-2-2](#)