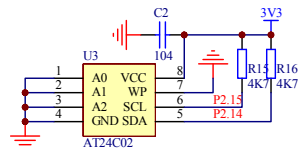
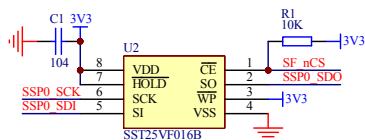
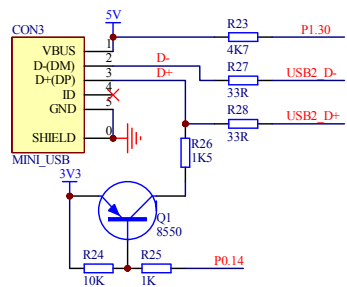


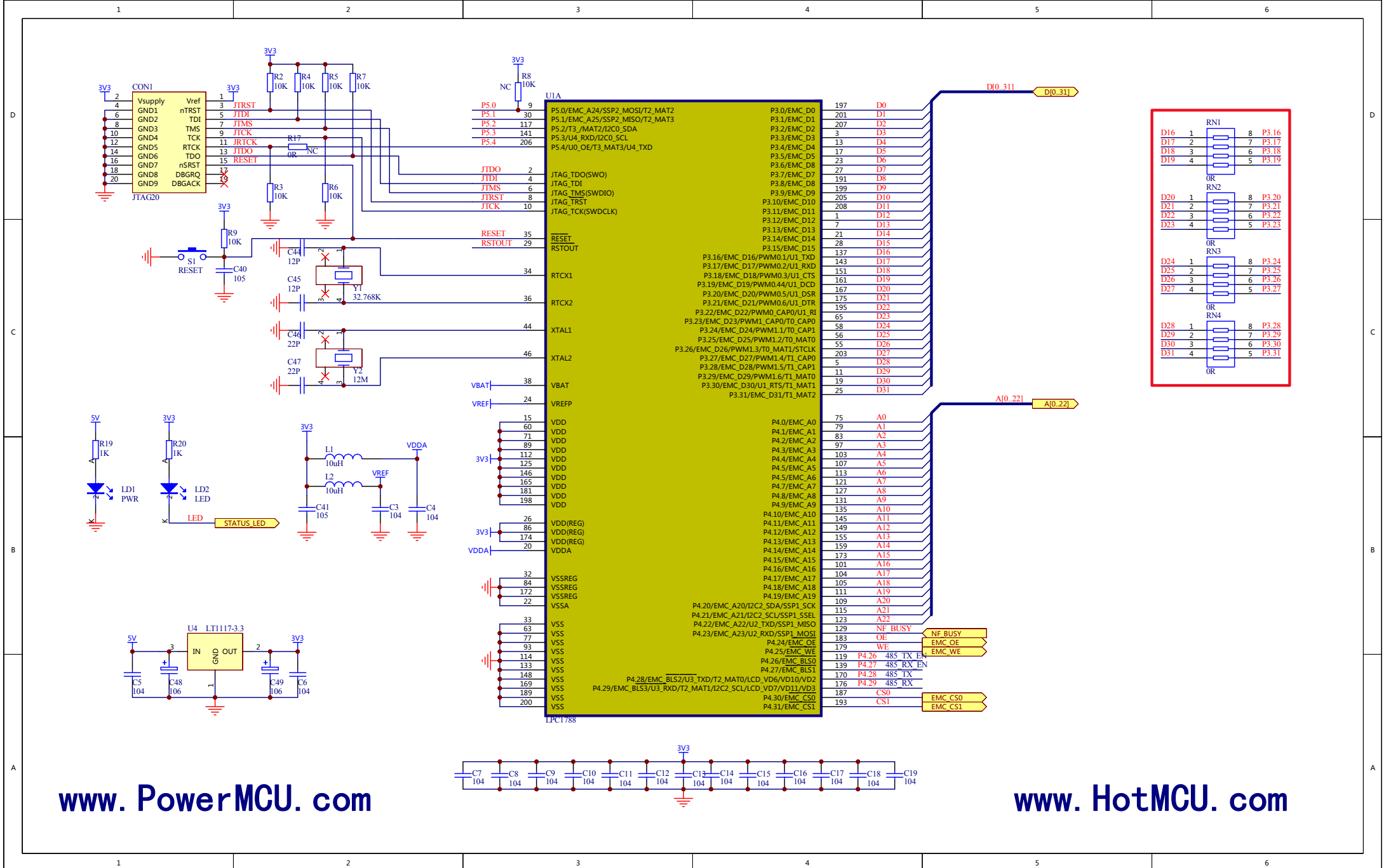
# Designed by HAOYU Electronics

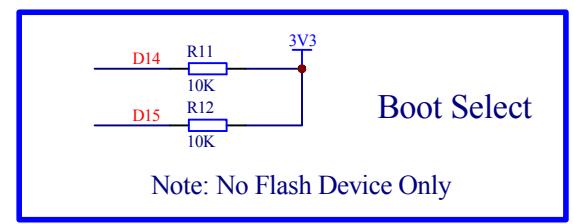
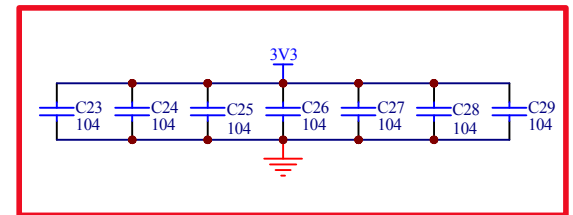
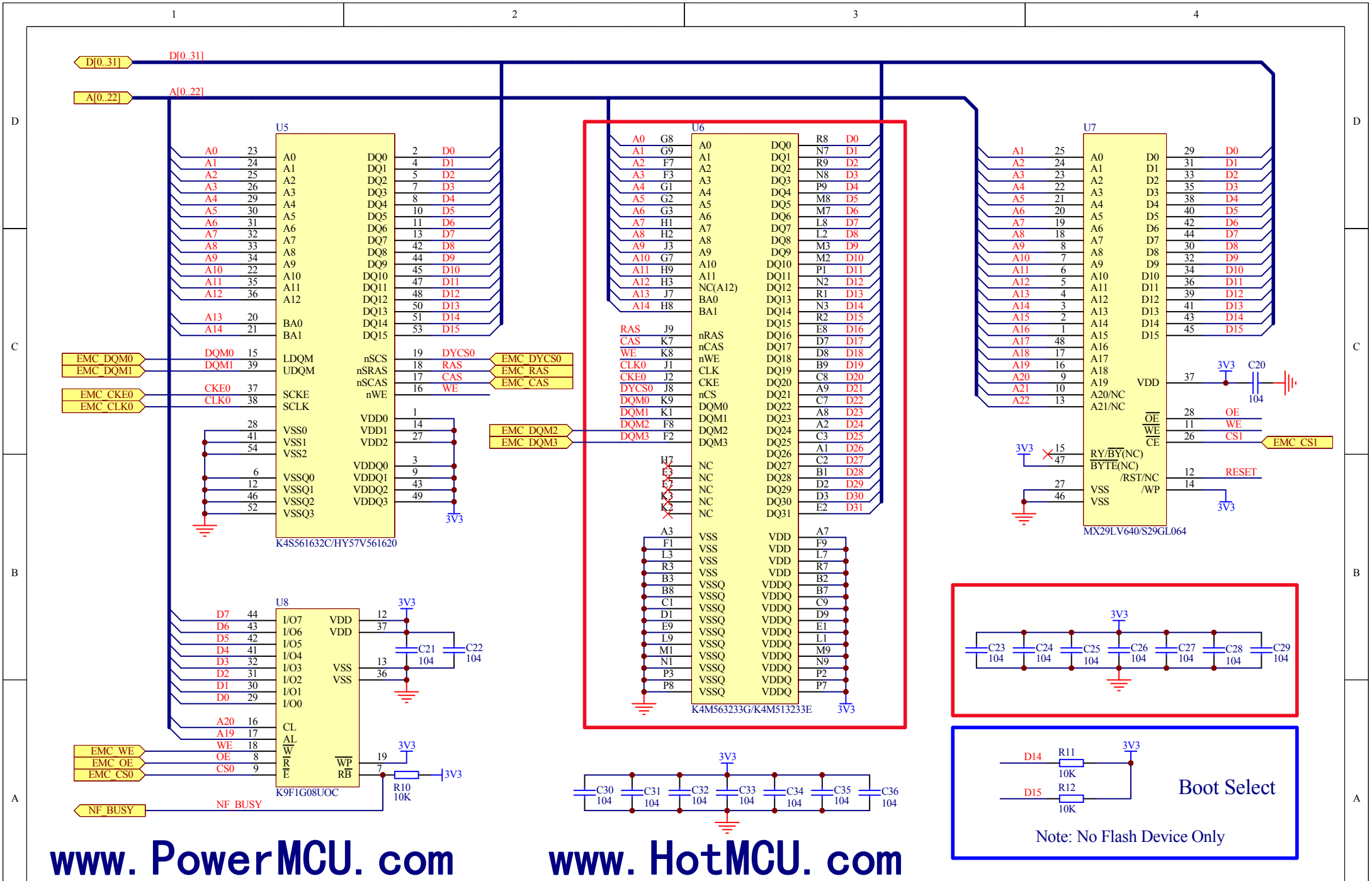
UIB		LPC1788	
CAN1_RX	P0.0	94	P0.0/CAN_RD1/U3_TXD/IC1_SDA/U0_TXD
CAN1_TX	P0.1	96	P0.1/CAN_TD1/U3_RXD/IC1_SCL/U0_RXD
UART0_TX	P0.2	202	P0.2/U0_TXD/U3_TXD
UART0_RX	P0.3	204	P0.3/U0_RXD/U3_RXD
CAN2_RX	P0.4	168	P0.4/IS_RX_SCK/CAN_RD2/T2_CAP0/LCD_VD0
CAN2_TX	P0.5	166	P0.5/IS_RX_WS/CAN_TD2/T2_CAP1/LCD_VD1
SSP1_SSEL	P0.6	164	P0.6/IS_RX_SDA/SSP1_SSEL/T2_MAT0/U1_RTS/LCD_VD8
IS2_RX_SCK	P0.7	162	P0.7/IS_TX_SCK/SSP1_SCK/T2_MAT1/RTC_EV0/LCD_VD9
IS2_TX_WS	P0.8	160	P0.8/IS_TX_WS/SSP1_MISO/T2_MAT2/RTC_EV1/LCD_VD16
IS2_TX_SDA	P0.9	158	P0.9/IS_TX_SDA/SSP1_MOSI/T2_MAT3/RTC_EV2/LCD_VD17
UART2_TX	P0.10	98	P0.10/U2_TXD/IC2_SDA/T3_MAT0
UART2_RX	P0.11	100	P0.11/U2_RXD/IC2_SCL/T3_MAT1
USB2_PPWR	P0.12	41	P0.12/USB_PPWR2/SSP1_MISO/ADC0_IN6
USB2_LED_UP	P0.13	45	P0.13/USB_UP_LED2/SSP1_MOSI/ADC0_IN7
USB2_CONNECT	P0.14	69	P0.14/USB_HSTEN2/SSP1_SSEL/USB_CONNECT2
UART1_TX	P0.15	128	P0.15/U1_TXD/SSP0_SCK
UART1_RX	P0.16	130	P0.16/U1_RXD/SSP0_SSEL
Text	P0.17	126	P0.17/U1_CTS/SSP0_MISO
SSP1_SDO	P0.18	124	P0.18/U1_DSR/SD_CLK/IC1_SDA
SSP1_SDI	P0.19	122	P0.19/U1_DSR/SD_CMD/IC1_SCL
Text	P0.20	120	P0.20/U1_RTS/SD_PWR/U4_OE/CAN_RD1/U4_SCLK
Text	P0.21	118	P0.21/U1_RTS/SD_DAT0/U4_TXD/CAN_TD1
Text	P0.22	116	P0.22/U1_RTS/SD_DAT0/U4_TXD/CAN_TD1
IS2_RX_SCK	P0.23	18	P0.23/ADC0_IN0/IS2_RX_SCK/T3_CAP0
IS2_RX_WS	P0.24	16	P0.24/ADC0_IN1/IS2_RX_WS/T3_CAP1
IS2_RX_SDA	P0.25	14	P0.25/ADC0_IN2/IS2_RX_SDA/U3_TXD
DAC_OUT	P0.26	12	P0.26/ADC0_IN3/DAC_OUT/U3_RXD
USB1_SDA	P0.27	50	P0.27/IC2_SDA/USB_SDA1
USB1_SCL	P0.28	48	P0.28/IC2_SCL/USB_SCL1
USB1_D+	USB1_D+	61	P0.29/USB_D+1/EINTT
USB1_D-	USB1_D-	62	P0.30/USB_D-1/EINTT
USB2_D+	USB2_D+	51	P0.31/USB_D+2
USB2_D-	USB2_D-	52	P0.31/USB_D+2
ETH_TXD0	P1.0	196	P1.0/ENET_TXD0/T3_CAP1/SSP2_SCK
ETH_TXD1	P1.1	194	P1.1/ENET_TXD1/T3_MAT3/SSP2_MOSI
SD_CLK	P1.2	185	P1.2/ENET_TXD2/SD_CLK/PWM0.1
SD_CMD	P1.3	177	P1.3/ENET_TXD3/SD_CMD/PWM0.2
ETH_TX_EN	P1.4	192	P1.4/ENET_TX_EN/T3_MAT2/SSP2_MISO
SD_PWR	P1.5	156	P1.5/ENET_TX_ER/SD_PWR/PWM0.3
SD_DAT0	P1.6	171	P1.6/ENET_TX_CLK/SD_DAT0/PWM0.4
SD_DAT1	P1.7	153	P1.7/ENET_COL/SD_DAT1/PWM0.5
ETH_CRIS	P1.8	190	P1.8/ENET_CRIS/RS_DV/T3_MAT1/SSP2_SSEL
ETH_RXD0	P1.9	188	P1.9/ENET_RXD0/T3_MAT0
ETH_RXD1	P1.10	186	P1.10/ENET_RXD1/T3_CAP0
SD_DAT2	P1.11	163	P1.11/ENET_RXD2/SD_DAT2/PWM0.6
SD_DAT3	P1.12	157	P1.12/ENET_RXD3/SD_DAT3/PWM0_CAP0
P1.13	P1.13	147	P1.13/ENET_RX_DV
P1.14	P1.14	184	P1.14/ENET_RX_ER/T2_CAP0
P1.15	P1.15	182	P1.15/ENET_RX_CLK(REF_CLK)/IC2_SDA
P2.0	P2.0	154	P2.0/PWM1.1/U1_TXD/LCD_PWR
P2.1	P2.1	152	P2.1/PWM1.2/U1_RXD/LCD_LE
P2.2	P2.2	150	P2.2/PWM1.3/U1_CTS/T2_MAT3/TRACEDATA3/LCD_DCLK
P2.3	P2.3	144	P2.3/PWM1.4/U1_DCD/T2_MAT2/TRACEDATA2/LCD_FP
P2.4	P2.4	142	P2.4/PWM1.5/U1_DSR/T2_MAT1/TRACEDATA1/LCD_ENAB_M
P2.5	P2.5	140	P2.5/PWM1.6/U1_DTR/T2_MAT0/TRACEDATA0/LCD_LP
P2.6	P2.6	138	P2.6/PWM1_CAP0/U1_RT2_CAP0/U2_OE/TRACECLK/LCD_VD0/LCD_VD4
P2.7	P2.7	136	P2.7/CAN_RD2/U1_RTS/LCD_VD1/LCD_VD5
P2.8	P2.8	134	P2.8/CAN_TD2/U2_TXD/U1_CTS/ENET_MDC/LCD_VD2/LCD_VD6
P2.9	P2.9	132	P2.9/USB_CONNECT1/U2_RXD/U4_RXD/ENET_MDIO/LCD_VD3/LCD_VD7
P2.10	P2.10	110	P2.10/EINT0/NMI
P2.11	P2.11	108	P2.11/ENET1/SD_DAT1/IS2_TX_SCK/LCD_CLKIN
P2.12	P2.12	106	P2.12/ENET2/SD_DAT2/IS2_TX_WS/LCD_VD4/VD3/VD8/VD18
P2.13	P2.13	102	P2.13/ENET3/SD_DAT3/IS2_TX_SDA/LCD_VD5/VD9/VD19
P2.14	P2.14	91	P2.14/EMC_CS2/IC1_SDA/T2_CAP0
P2.15	P2.15	99	P2.15/EMC_CS3/IC1_SCL/T2_CAP1
P2.16	P2.16	87	P2.16/EMC_CAS
P2.17	P2.17	95	P2.17/EMC_RAS
P2.18	P2.18	59	P2.18/EMC_CLK0
P2.19	P2.19	67	P2.19/EMC_CLK1
P2.20	P2.20	73	P2.20/EMC_CLK2
P2.21	P2.21	81	P2.21/EMC_DYCS0
P2.22	P2.22	85	P2.22/EMC_DYCS2/SSP0_SCK/T3_CAP0
P2.23	P2.23	64	P2.23/EMC_DYCS3/SSP0_SSEL/T3_CAP1
P2.24	P2.24	53	P2.24/EMC_CKE0
P2.25	P2.25	54	P2.25/EMC_CKE1
P2.26	P2.26	57	P2.26/EMC_CKE2/SSP0_MISO/T3_MAT0
P2.27	P2.27	47	P2.27/EMC_CKE3/SSP0_MOSI/T3_MAT1
P2.28	P2.28	49	P2.28/EMC_DQM0
P2.29	P2.29	43	P2.29/EMC_DQM1
P2.30	P2.30	31	P2.30/EMC_DQM2/IC2_SDA/T3_MAT2
P2.31	P2.31	39	P2.31/EMC_DQM3/IC2_SCL/T3_MAT3
P1.16	P1.16	180	P1.16/ENET_MDC/IS2_TX_MCLK
P1.17	P1.17	178	P1.17/ENET_MDIO/IS2_RX_MCLK
P1.18	P1.18	66	P1.18/USB_UP_LED1/PWM1.1/T1_CAP0/SSP1_MISO
P1.19	P1.19	68	P1.19/USB_TX_ER/USB_PPWR1/T1_CAP1/MC_0A/SSP1_SCK/U2_OE
P1.20	P1.20	70	P1.20/USB_TX_DP1/PWM1.2/QEI1_PHA/MC_FB0/SSP0_SCK/LCD_VD6/LCD_VD10
P1.21	P1.21	72	P1.21/USB_TX_DM1/PWM1.3/SSP0_SSEL/MC_ABORT/LCD_VD7/LCD_VD11
P1.22	P1.22	74	P1.22/USB_RCV1/USB_PWRD1/T1_MAT0/MC_0B/SSP1_MOSI/LCD_VD8/LCD_VD12
P1.23	P1.23	76	P1.23/USB_RX_DP1/PWM1.4/QEI1_PHB/MC_FB1/SSP0_MISO/LCD_VD9/LCD_VD13
P1.24	P1.24	78	P1.24/USB_RX_DM1/PWM1.5/QEI1_TX/MC_FB2/SSP0_MOSI/LCD_VD10/LCD_VD14
P1.25	P1.25	80	P1.25/USB_LS1/USB_HSTEN1/T1_MAT1/MC_1A/CLKOUT/LCD_VD11/LCD_VD15
P1.26	P1.26	82	P1.26/USB_SSPND1/PWM1.6/T0_CAP0/MC_1B/SSP1_SSEL/LCD_VD12/LCD_VD20
P1.27	P1.27	88	P1.27/USB_INT1/USB_OVRCR1/T0_CAP1/CLKOUT/LCD_VD13/LCD_VD21
P1.28	P1.28	90	P1.28/USB_SCL1/PWM1_CAP0/T0_MAT0/MC_2A/SSP0_SSEL/LCD_VD14/LCD_VD22
P1.29	P1.29	92	P1.29/USB_SDA1/PWM1_CAP1/T0_MAT1/MC_2B/U4_TXD/LCD_VD15/LCD_VD23
P1.30	P1.30	42	P1.30/USB_PPWR2/USB_VBUS/ADC0_IN4/IC2_SDA/U3_OE
P1.31	P1.31	40	P1.31/USB_OVRCR2/SSP1_SCK/ADC0_IN5/IC2_SCL
P1.10	P1.10	186	P1.10/ENET_MDC
P1.11	P1.11	188	P1.11/ENET_MDIO
P1.18	P1.18	66	P1.18/USB_UP_LED
P1.19	P1.19	68	P1.19/USB_PPWR
G0	G0	70	G0_VD10
G1	G1	72	G1_VD11
G2	G2	74	G2_VD12
G3	G3	76	G3_VD13
G4	G4	78	G4_VD14
G5	G5	80	G5_VD15
B1	B1	82	B1_VD20
B2	B2	88	B2_VD21
B3	B3	90	B3_VD22
B4	B4	92	B4_VD23
USB_VBUS	USB_VBUS	42	USB_VBUS
SSP1_SCK	SSP1_SCK	40	SSP1_SCK



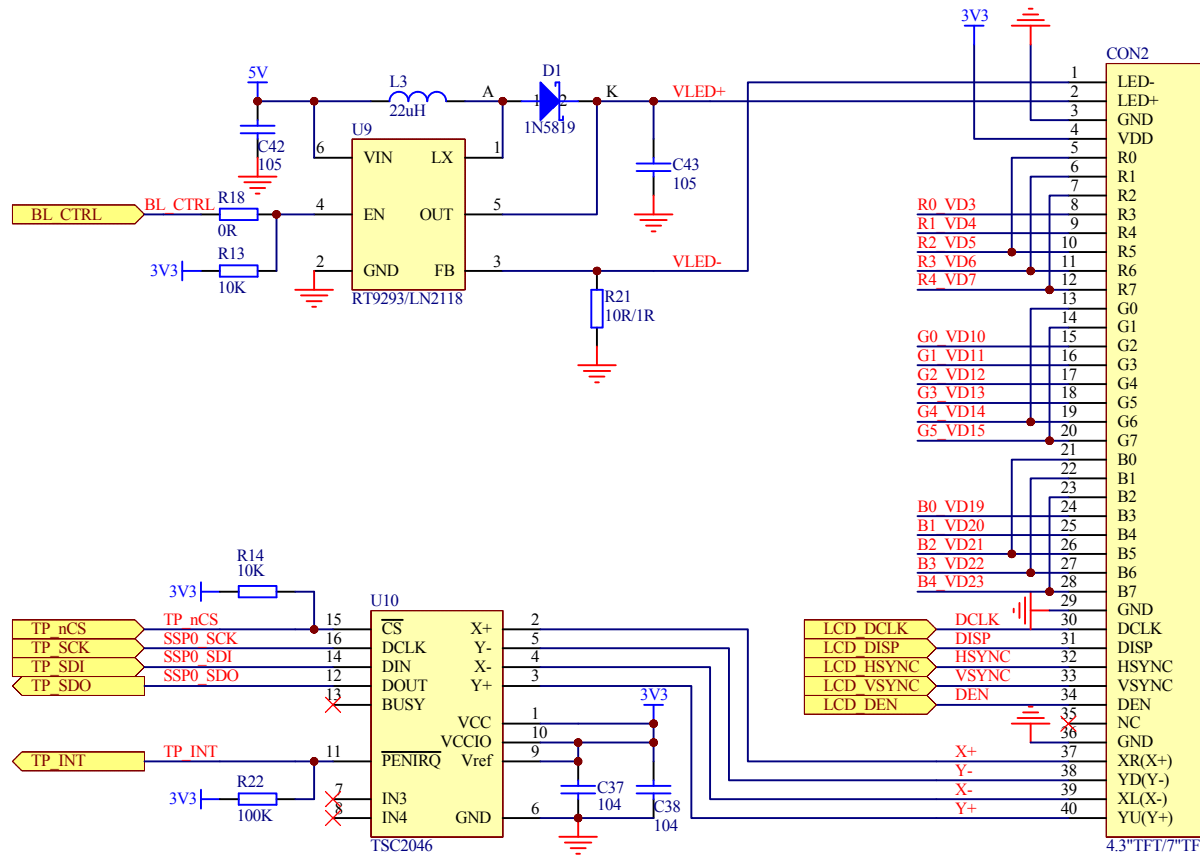
www. PowerMCU. com

www. HotMCU. com





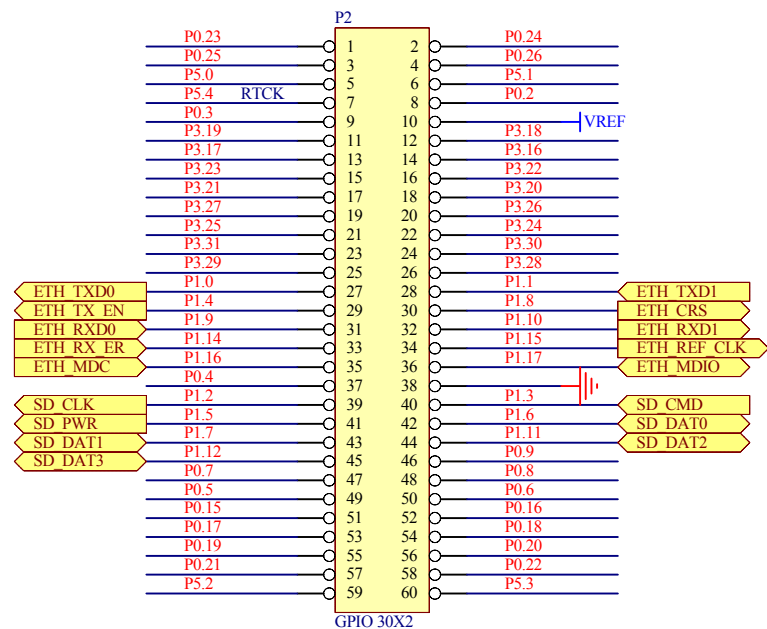
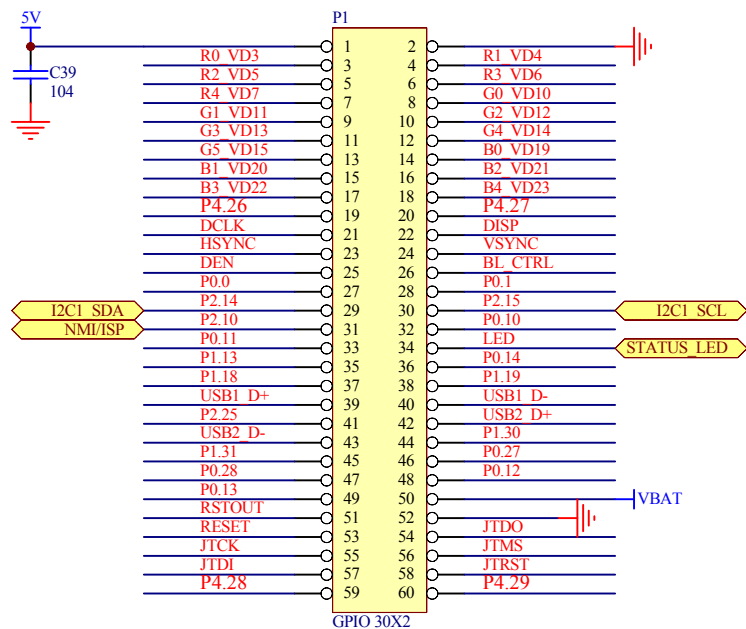
# Designed by HAOYU Electronics



[www. PowerMCU. com](http://www.PowerMCU.com)

[www. HotMCU. com](http://www.HotMCU.com)

# Designed by HAOYU Electronics



[www.PowerMCU.com](http://www.PowerMCU.com)

[www.HotMCU.com](http://www.HotMCU.com)