

[Home \(./Default.aspx\)](#)[Products](#) ▾[News](#) ▾

[All Products \(ecproductlist.aspx\)](#) > [Sealed Switches\(Water Proof Switches\)](#)
([ecproductlist.aspx?pcs_rfnbr=22](#)) > **SW2 SERIES**



SW2 SERIES

SPECIFICATIONS

Operating frequency(mechanical):

120 Operation / mim

Operating frequency(electrical):

10~30 Operation / mim

Contact resistance:

[Home \(Default.aspx\)](#)

[Products](#) ▾

[News](#) ▾



Insulation resistance(at 500 VDC)

100M Ω (Min)

Service life(mechanical)

2,000,000 Operations

Service life(electrical)

10,000 Operations

RATING

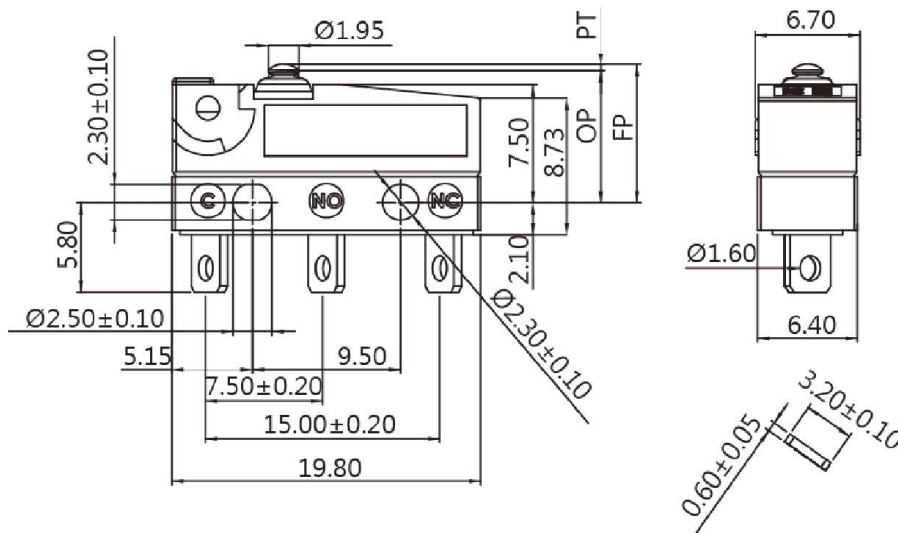
0.1A,3A,6A,10A ; 5A 30VDC

APPLICATION

Telephone, Air conditioner, Computer, Humidifier, Alarm, Time recorder, Mixer & Chopper, Solder gun, Neon phone, Fax machine, Joystick, Water pump, Gas detector, Pencil sharpener, Money sorter, Food processor, Electric knife, Toy car, Juice maker, Electric steak pan.

DIMENSIONS

Unless otherwise specified, a tolerance of ± 0.4 mm applies to all dimensions.



CONTACT CONFIGURATION





OPERATING FORCE

MODEL	Rating	L	S	H
SW2	0.1A	*	*	*
	3A	*	*	*
	6A	*	*	*
	10A 10(2)A	*	*	*
	1/4 hp 10A 10(2)A		*	*

NOTE : The Symbol " * " to represent the result is accepted

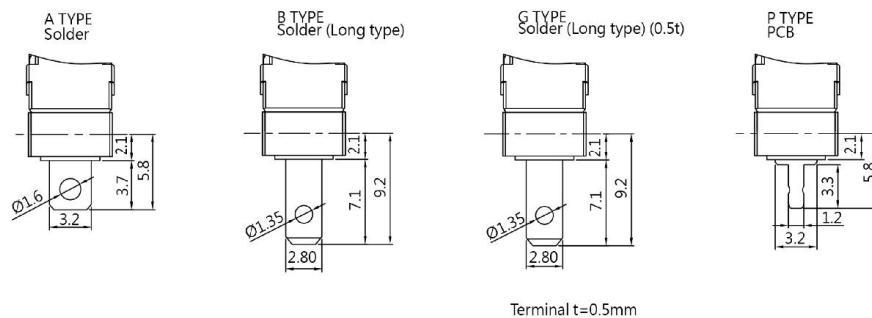
ORDER INFORMATION

SW2 - 06 S 1 - 00 A 0 - Z

SERIES PREFIX	RATING CURRENT	OPERATING FORCE	COVER TYPE	ACTUATOR TYPE	TERMINAL TYPE	CIRCUIT ARRANGEMENT	ROHS CODE
C1	0.1A 125/250 VAC	H HEAVIER	1	00	A	0 S.PDT	
C3	3A 125/250 VAC	S STANDARD		01	B	1 S.P.S.T NO	
06	6A 125/250 VAC	L LIGHT		02	P	2 S.P.S.T NC	
10	10A 125/250 VAC			03	G		
10(2)A	10(2)A 125/250 VAC						
H10	10(2)A 125/250 VAC						
	1/4 hp 125/250 VAC						

#NOTE	
RATING CURRENT	OPERATING FORCE
Code:C1	L, S, H
Code:C3	L, S, H
Code:06	L, S, H
Code: 10	S, H
Code:H10	S, H

TERMINAL TYPES



[Home \(./Default.aspx\)](#)

[Products](#) ▾

[News](#) ▾



OPERATING CHARACTERISTICS

SWITCH TYPE	PART SUFFIX	OF Max. (gf)	OP (mm)	PT Max. (mm)	OT Min. (mm)	MD Max. (mm)	FP Max. (mm)	RF Min. (gf)
SW2-□□□□-00□□-Z		H 300	8.4 ± 0.3	1.2	0.4	0.2	9.9	H 70
		S 203						S 50
		L 150						L 30
SW2-□□□□-01□□-Z		H 121	8.8 ± 1.1	4.3	0.6	0.6	1.2	H 17
		S 82						S 16
		L 73						L 14
SW2-□□□□-02□□-Z		H 105	8.8 ± 1.2	4.8	0.67	0.7	12.4	H 14
		S 66						S 13
		L 55						L 11
SW2-□□□□-03□□-Z		H 72	8.8 ± 1.6	6.3	0.89	0.9	13.5	H 12
		S 54						S 11
		L 29						L 6
SW2-□□□□-04□□-Z		H 106	10.7 ± 1.2	4.6	0.64	0.75	14.3	H 15
		S 68						S 14
		L 42						L 7
SW2-□□□□-05□□-Z		H 100	14.5 ± 1.1	4.3	0.6	0.6	17.7	H 16
		S 72						S 15
		L 54						L 4
SW2-□□□□-06□□-Z		H 165	8.8 ± 0.9	3.2	1.0	0.5	11.1	H 23
		S 98						S 21
		L 66						L 10
SW2-□□□□-07□□-Z		H 65	8.8 ± 2.6	10.1	1.5	2.3	16.3	H 8
		S 39						S 8
		L 33						L 1
SW2-□□□□-08□□-Z		H 106	11.3 ± 1.3	4.9	0.6	0.8	14.9	H 14
		S 68						S 13
		L 42						L 6
SW2-□□□□-09□□-Z		H 50	8.8 ± 3.5	13.8	1.0	3.6	19.1	H 7
		S 33						S 7
		L 23						L 1

INQUIRY

Please feel free to contact us.



(contactus.aspx)

Product Search

Type:

SELECT ▾

Model:

SELECTION ▾



[Home \(./Default.aspx\)](#)[Products](#) ▾[New Search](#)

Switches

[Water Proof Switches >](#)[\(ecproductlist.aspx?pcs_rfnbr=22\)](#)[Basic Micro Switches >](#)[\(ecproductlist.aspx?pcs_rfnbr=7\)](#)[Rotary Switches >](#)[\(ecproductlist.aspx?pcs_rfnbr=27\)](#)[Push Switches >](#)[\(ecproductlist.aspx?pcs_rfnbr=10\)](#)[Low Torque Switches >](#)[\(ecproductlist.aspx?pcs_rfnbr=13\)](#)[Side Mini Switches >](#)[\(ecproductlist.aspx?pcs_rfnbr=20\)](#)[Slide Switches >](#)[\(ecproductlist.aspx?pcs_rfnbr=24\)](#)[Rocker Switches >](#)[\(ecproductlist.aspx?pcs_rfnbr=11\)](#)[Hook Switches >](#)[\(ecproductlist.aspx?pcs_rfnbr=8\)](#)[Detect Switches >](#)[\(ecproductlist.aspx?pcs_rfnbr=19\)](#)[Tact Switches >](#)[\(ecproductlist.aspx?pcs_rfnbr=12\)](#)[Encoder Switches >](#)

[\(ecproductlist.aspx?pcs_rfnbr=23\)](#)

Home (/Default.aspx) - Products > News > 微動開關 微動開關 Snap action microswitches(snap action microswitch), Sealed Switches,(Sealed Switch),Basic Switches(Basic Switch),Snap-acting switches(Snap-acting switch),WaterProof micro switches(WaterProof micro switch),Sealed Basic Switches(Sealed Basic Switch),microswitches(microswitch),micro switches(micro switch),Interruptores básicos,Interruptores de acción básicos ,Micro-interruptor a prueba de agua,Schnappschalter,zip switch,zip microswitch



About us

Company Overview (aboutus.aspx)
 Power Division (aboutpower.aspx)
 Switch Division (aboutswitch.aspx)
 Leadership (managementteam.aspx)
 Corporate Milestones (history.aspx)
 Organizational Chart (organization.aspx)
 Corporate Culture (culture.aspx)
 Management Philosophy (strategy.aspx)
 ZIPPY Advantages (superiority.aspx)
 Future Prospects (future.aspx)
 Zippy Worldwide (global.aspx)

Products

Power Products (pwproductlist.aspx)
 Power Online Support (download.aspx)
 Switches (ecproductlist.aspx)

News

News (newslists.aspx)
 Events (eventlists.aspx)

Investor Relation

Financial (financial.aspx)
 Annual Reports (annual.aspx)
 Control (control.aspx)
 Shareholder (Shareholder.aspx)

Human Resource

HR Brief (human_resource.aspx)
 Compensation and Welfare (taiwan.aspx)
 Training and Development (training.aspx)
 How to Apply (apply.aspx)
 Recruiting Flow (process.aspx)
 Where is Zippy (howto.aspx)

Language

繁體中文 (../zh-tw/Default.aspx)
 English (../Default.aspx)

Copyright ©2017 ZIPPY TECHNOLOGY CORP. All rights reserved. | [Terms of use \(terms.aspx\)](#) | [Privacy Statement \(privacy.aspx\)](#)

