

A

B

C

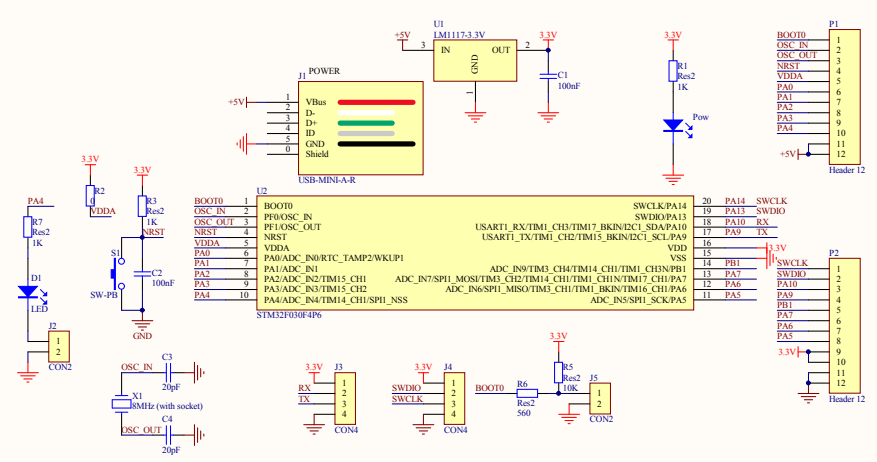
D

A

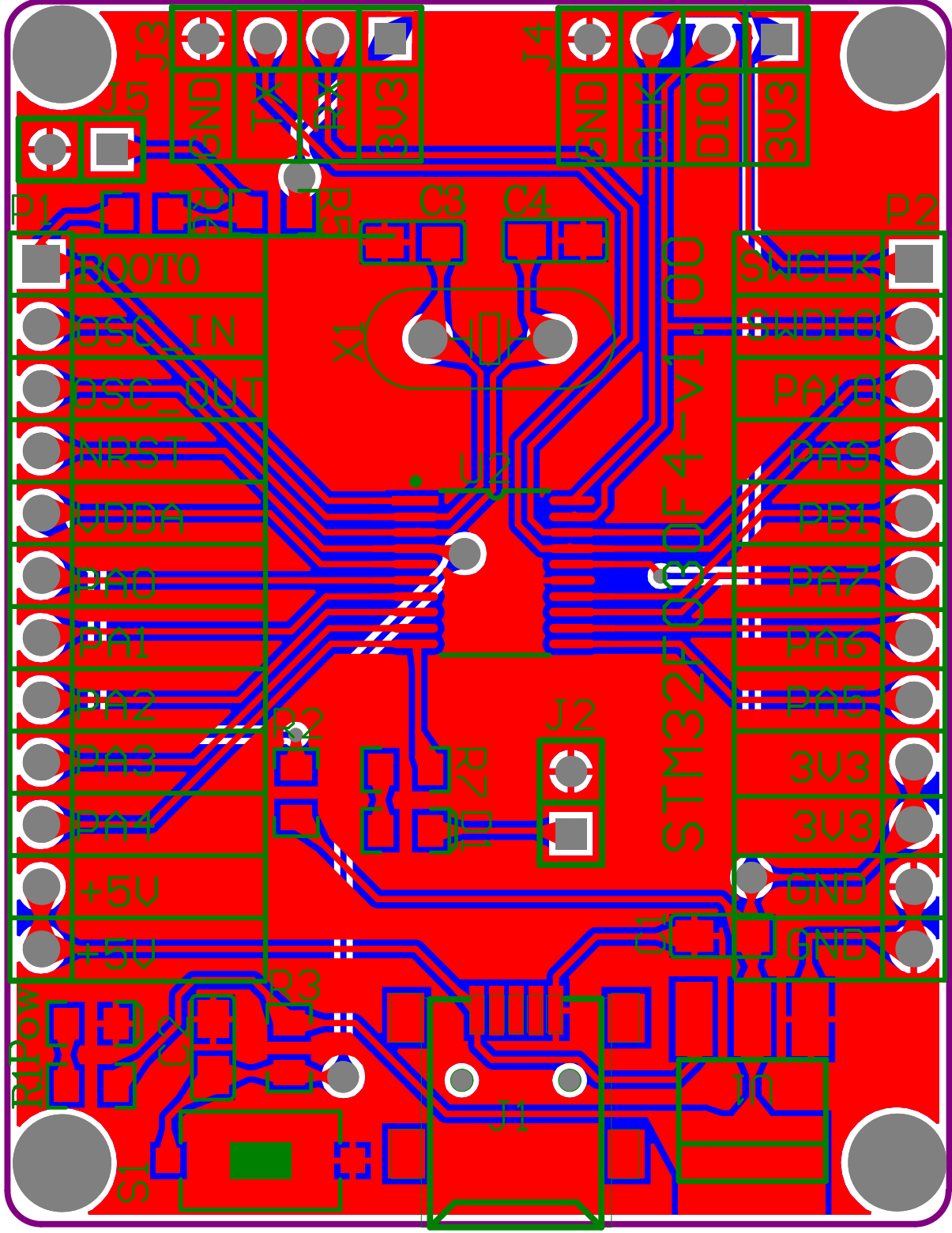
B

C

D



Title		
Size	Number	Revision
c		
Date:	2014/4/19	Sheet of
File:	Hisp	+PCB_ssm32f064P6.Sch1 Drawn By:



49.48758 (mm)