



The following document contains information on Cypress products. Although the document is marked with the name "Spansion" and "Fujitsu", the company that originally developed the specification, Cypress will continue to offer these products to new and existing customers.

Continuity of Specifications

There is no change to this document as a result of offering the device as a Cypress product. Any changes that have been made are the result of normal document improvements and are noted in the document history page, where supported. Future revisions will occur when appropriate, and changes will be noted in a document history page.

Continuity of Ordering Part Numbers

Cypress continues to support existing part numbers. To order these products, please use only the Ordering Part Numbers listed in this document.

For More Information

Please contact your local sales office for additional information about Cypress products and solutions.

About Cypress

Cypress (NASDAQ: CY) delivers high-performance, high-quality solutions at the heart of today's most advanced embedded systems, from automotive, industrial and networking platforms to highly interactive consumer and mobile devices. With a broad, differentiated product portfolio that includes NOR flash memories, F-RAM™ and SRAM, Traveo™ microcontrollers, the industry's only PSoC® programmable system-on-chip solutions, analog and PMIC Power Management ICs, CapSense® capacitive touch-sensing controllers, and Wireless BLE Bluetooth® Low-Energy and USB connectivity solutions, Cypress is committed to providing its customers worldwide with consistent innovation, best-in-class support and exceptional system value.

16-bit Proprietary Microcontroller

CMOS

F²MC-16LX MB90495G Series

MB90497G/F497G/F498G/V495G

■ DESCRIPTION

The MB90495G Series is a general-purpose, high-performance 16-bit microcontroller. It was designed for devices like consumer electronics, which require high-speed, real-time process control. This series features an on-chip full-CAN interface.

In addition to being backwards compatible with the F²MC* family architecture, the instruction set has been expanded to add support for high-level language instructions, expanded addressing mode, and enhanced multiply/divide and bit processing instructions. A 32-bit accumulator is also provided, making it possible to process long word (32-bit) data.

The MB90495G Series peripheral resources include on chip 8/10-bit A/D converter, UART (SCI) 0/1, 8/16-bit PPG timer, 16-bit I/O timer (16-bit free-run timer, input capture 0, 1, 2, 3 (ICU)), and CAN controller.

* : F²MC is the abbreviation of FUJITSU Flexible Microcontroller.

■ FEATURES

- **Models that support operating temperature (T_A) +125 °C**
- **Clock**
 - Built-in PLL clock multiplier circuit
 - Choose 1/2 oscillation clock or ×1 to ×4 multiplied oscillation clock (for a 4-MHz oscillation clock, 4 to 16 MHz) machine (PLL) clock

(Continued)

For the information for microcontroller supports, see the following web site.

<http://edevic.fujitsu.com/micom/en-support/>

MB90495G Series

(Continued)

- Select subclock behavior (8.192 kHz)
- Minimum instruction execution time : 62.5 ns (operating with 4-MHz oscillation clock and $\times 4$ PLL clock)
- **16-Mbyte CPU memory space**
 - 24-bit internal addressing
 - External access possible through selection of 8/16-bit bus width (external bus mode)
- **Optimum instruction set for controller applications**
 - Wealth of data types (Bit, Byte, Word, Long Word)
 - Wealth of addressing modes (23 different modes)
 - Enhanced signed multiply-divide instructions and RETI instruction functions
 - Enhanced high-precision arithmetic employing 32-bit accumulator
- **Instruction set supports high-level programming language (C) and multitasking**
 - Employs system stack pointer
 - Enhanced indirect instructions with all pointer types
 - Barrel shift instructions
- **Improved execution speed**
 - 4-byte instruction queue
- **Powerful interrupt feature**
 - Powerful 8-level, 34-condition interrupt feature
- **CPU-independent automated data forwarding**
 - Extended intelligent I/O service feature (EI²OS) : maximum 16 channels
- **Low-power consumption (Standby) Mode**
 - Sleep mode (CPU operation clock stopped)
 - Time-base timer mode (oscillation clock and subclock, time-base timer and watch timer only operational)
 - Watch mode (subclock and watch timer only operational)
 - Stop mode (oscillation clock and subclock stopped)
 - CPU intermittent operation mode
- **Process**
 - CMOS technology
- **I/O Ports**
 - Generic I/O ports (CMOS output) : 49
- **Timer**
 - Time-base timer, watch timer, watchdog timer : 1 channel
 - 8/16-bit PPG timer : four 8-bit channels, or two 16-bit channels
 - 16-bit reload timer : 2 channels
 - 16-bit I/O timer
 - 16-bit free-run timer : 1 channel
 - 16-bit input capture (ICU) : 4 channelsGenerates interrupt requests by latching onto the count value of the 16-bit free-run timer with pin input edge detection

(Continued)

(Continued)

- **CAN Controller : 1 channel**
 - CAN specifications conform to versions 2.0A and 2.0B
 - 8 on-chip message buffers
 - Forwarding rate 10 kbps to 1 Mbps (with 16-MHz machine clock)

- **UART0 (SCI) /UART1 (SCI) : 2 channels**
 - All with full duplex double buffer
 - Use clock-asynchronous or clock-synchronous serial forwarding

- **DTP/external interrupt : 8 channels**
 - A module for launching extended intelligent I/O service (EI²OS) and generating external interrupts through external output

- **Delayed interrupt generation module**
 - Generates interrupt requests for switching tasks

- **8/10-bit A/D converter : 8 channels**
 - Switch between 8-bit and 10-bit resolution
 - Launch through external trigger input
 - Conversion time : 6.13 μ s (with 16-MHz machine clock, including sampling time)

- **Program batch function**
 - 2-address pointer ROM correction

- **Clock output function**

MB90495G Series

■ PRODUCT LINEUP

Part Number		MB90F497G	MB90497G	MB90F498G	MB90V495G
Parameter					
Feature Classification		Flash ROM	Mask ROM	Flash ROM	Product Evaluated
ROM Size		64 Kbytes		128 Kbytes	—
RAM Size		2 Kbytes			6 Kbytes
Process		CMOS			
Package		LQFP64 (pin pitch 0.65 mm) , QFP64 (pin pitch 1.00 mm)			PGA256
Operating Power		4.5 V to 5.5 V			
Emulator power supply*		—			None
CPU Functions		Number of instructions : 351			
		Instruction bit length : 8-bit, 16-bit			
		Instruction length : 1 to 7 bytes			
		Data bit length : 1 bit, 8-bit, 16-bit			
		Minimum execution time : 62.5 ns (with 16-MHz machine clock)			
		Interrupt processing time : minimum 1.5 μ s (with 16-MHz machine clock)			
Low-power consumption (Standby) Mode		Sleep mode/watch mode/time-base timer mode/stop mode / CPU intermittent mode			
I/O Ports		General-purpose I/O ports (CMOS output) : 49			
Time-base timer		18-bit free-run counter Interrupt interval : 1.024 ms, 4.096 ms, 16.834 ms, 131.072 ms (with 4-MHz oscillation clock)			
Watchdog timer		Reset generation intervals : 3.58 ms, 14.33 ms, 57.23 ms, 458.75 ms (with 4-MHz oscillation clock)			
16-bit I/O Timer	16-bit free-run timer	Number of channels : 1 Interrupts from overflow generation			
	Input capture	Number of channels : 4 Maintenance of free-run timer value through pin input (rising, falling or both edges)			
16-bit reload timer		Number of channels : 2 16-bit reload timer operation Count clock interval : 0.25 μ s, 0.5 μ s, 2.0 μ s (with 16-MHz machine clock) External event count enabled			
Watch timer		15-bit free-run counter Interrupt intervals : 31.25 ms, 62.5 ms, 12 ms, 250 ms, 500 ms, 1.0 s, 2.0 s (with 8.192-kHz subclock)			
8/16-bit PPG timer		Number of channels : 2 (two 8-bit channels can be used) Two 8-bit or one 16-bit channel PPG operation possible Free interval, free duty pulse output possible Count clock : 62.5 ns to 1 μ s (with 16-MHz machine clock)			

* : The S2 dipswitch setting when using the MB2145-507 emulation baud. For details, see the MB2145-507 hardware manual (2.7 Emulator Power Pin) .

(Continued)

MB90495G Series

(Continued)

Parameter	Part Number	MB90F497G	MB90497G	MB90F498G	MB90V495G
Delayed interrupt generation module		Module for delayed interrupt generation switching tasks Used in real-time OS			
DTP/external interrupt circuit		Number of inputs : 8 Starting by rising edge, falling edge, "H" level input, or "L" level input, external interrupts or extended intelligent I/O service (EI ² OS) can be used			
8/10-bit A/D converter		Number of channels : 8 Resolution : set 10-bit or 8-bit Conversion time : 6.13 μs (with 16-MHz machine clock, including sampling time) Continuous conversion of multiple linked channels possible (up to 8 channels can be set) One-shot conversion mode : converts selected channel only once Continuous conversion mode : converts selected channel continuously Stop conversion mode : converts selected channel and suspends operation repeatedly			
UART0 (SCI)		Number of channels : 1 Clock-synchronous forwarding : 62.5 kbps to 2 Mbps Clock-asynchronous forwarding : 1,202 bps to 62,500 bps Transmission can be performed by two-way serial transmission or by master/slave connection			
UART1 (SCI)		Number of channels : 1 Clock-synchronous forwarding : 62.5 kbps to 2 Mbps Clock-asynchronous forwarding : 9,615 bps to 500 kbps Transmission can be performed by two-way serial transmission or by master/slave connection			
CAN		Compliant with CAN specification versions 2.0A and 2.0B Send/receive message buffers : 8 Forwarding bit rate : 10 kbps to 1 Mbps (with 16-MHz machine clock)			

■ PACKAGES AND CORRESPONDING PRODUCTS

Package	MB90F497G	MB90497G	MB90F498G
FPT-64P-M06	○	○	○
FPT-64P-M23	○	○	○

○ : available × : not available

Note : See "■ PACKAGE DIMENSIONS" for details.

■ PRODUCT COMPARISON

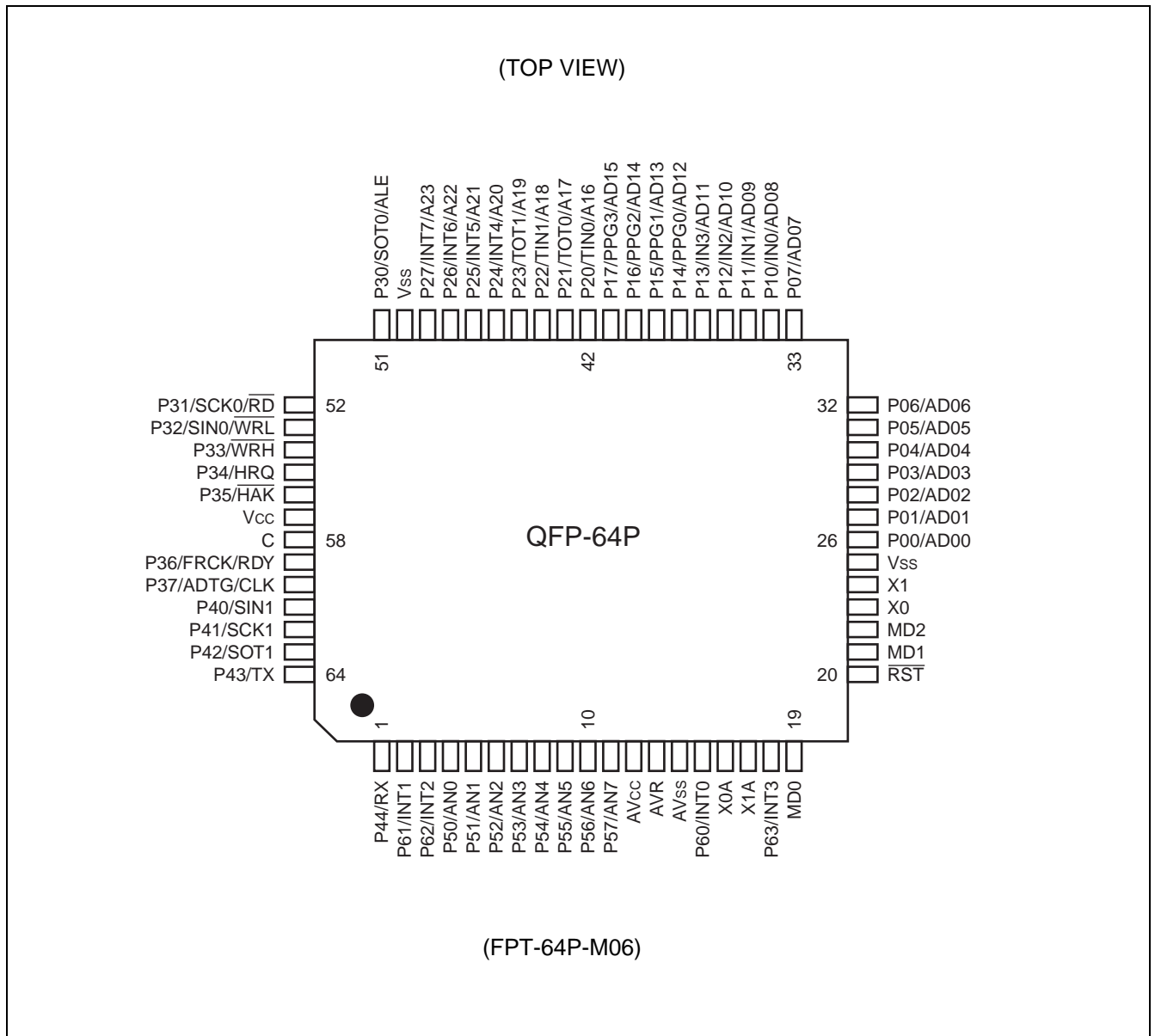
Memory Size

When evaluating with evaluation chips and other means, take careful note of the different between the evaluation chip and the chip actually used. Take particular note of the following.

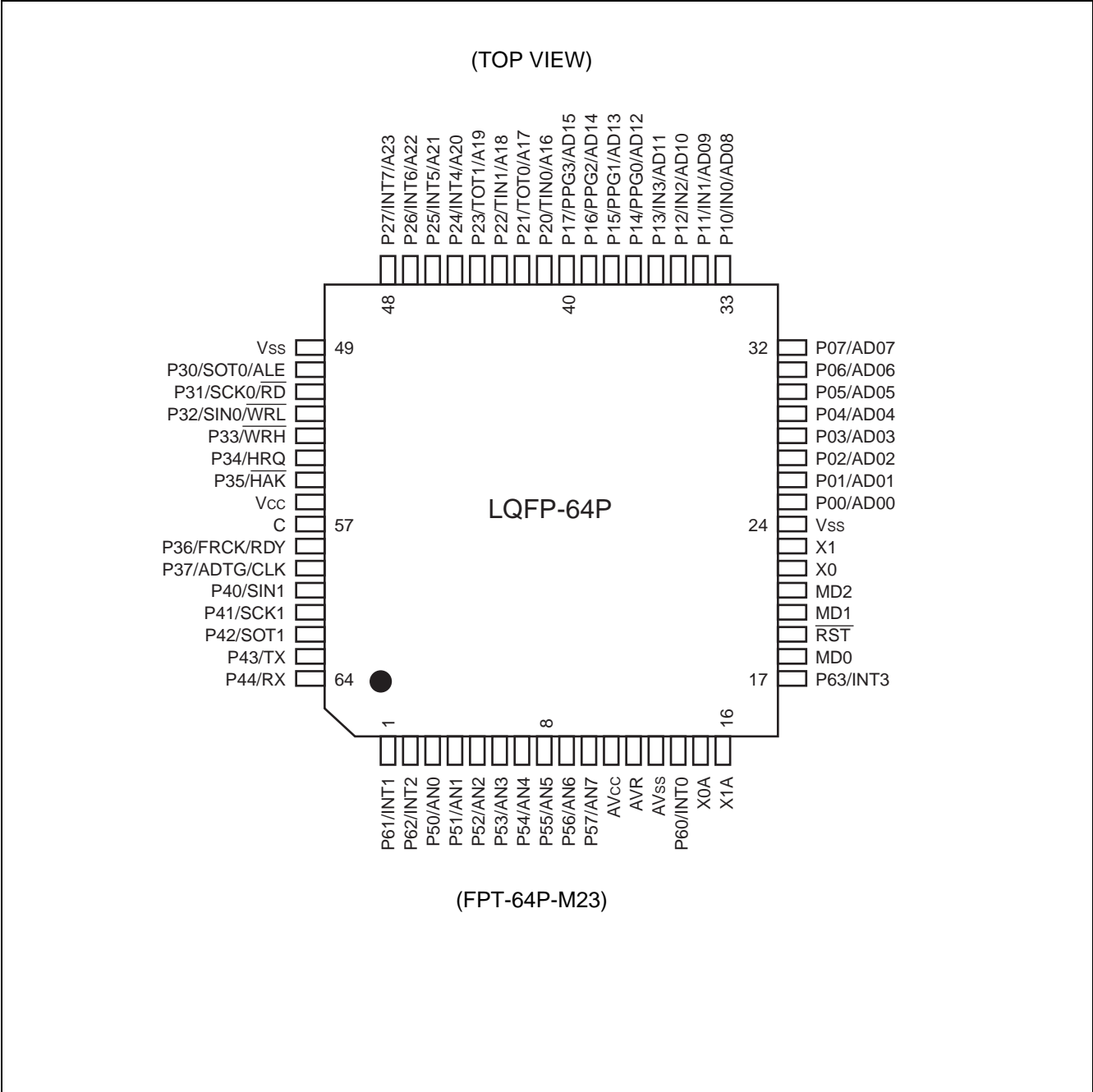
- While the MB90V495G does not feature an on-chip ROM, the dedicated development tool can be used to achieve operation equivalent to a product with built-in ROM. Therefore, the ROM size is configured by the development tool.
- On the MB90V495G, the FF4000_H to FFFFFFF_H image is only visible in the 00 bank, and the FE0000_H to FF3FFF_H is only visible in the FE and FF banks (configurable on development tool).
- On the MB90F497G/F498G/497G, the FF4000_H to FFFFFFF_H image is visible in the 00 bank, and the FF0000_H to FF3FFF_H is visible only in the FF bank.

MB90495G Series

■ PIN ASSIGNMENTS



MB90495G Series



MB90495G Series

■ PIN DESCRIPTION

Pin No.		Pin Name	Circuit Type	Description
QFP-64P *1	LQFP-64P *2			
2	1	P61	D	General-purpose I/O port
		INT1		Functions as external interrupt input pin. Set this to input port.
3	2	P62	D	General-purpose I/O port
		INT2		Functions as external interrupt input pin. Set this to input port.
4 to 11	3 to 10	P50 to P57	E	General-purpose I/O port
		AN0 to AN7		Functions as analog input port of A/D converter. This is enabled if analog input configuration is permitted.
12	11	AV _{CC}	—	V _{CC} power input pin of A/D converter.
13	12	AVR	—	Reference voltage (+) input pin for the A/D converter. This voltage must not exceed V _{CC} and AV _{CC} . Reference voltage (–) is fixed to AV _{SS} .
14	13	AV _{SS}	—	V _{SS} power input pin of A/D converter.
15	14	P60	D	General-purpose I/O port
		INT0		Functions as external interrupt input pin. Set this to input port.
16	15	X0A	A	Low-speed oscillation pin. Perform pull-down processing if not connected to an oscillator.
17	16	X1A	A	Low-speed oscillation pin. Set to open if not connected to an oscillator.
18	17	P63	D	General-purpose I/O port
		INT3		Functions as external interrupt input pin. Set this to input port.
19	18	MD0	C	Input pin for specifying operation mode.
20	19	$\overline{\text{RST}}$	B	External reset input pin.
21	20	MD1	C	Input pin for specifying operation mode.
22	21	MD2	F	Input pin for specifying operation mode.
23	22	X0	A	High-speed oscillation pin.
24	23	X1	A	High-speed oscillation pin.
25	24	V _{SS}	—	Power supply (0 V) input pin.
26 to 33	25 to 32	P00 to P07	D	General-purpose I/O port Only enabled in single-chip mode.
		AD00 to AD07		I/O pin for the lower 8-bit of the external address data bus. Only enabled during external bus mode.
34 to 37	33 to 36	P10 to P13	D	General-purpose I/O port. Only enabled in single-chip mode.
		IN0 to IN3		Functions as trigger input pin for input capture channels ch.0 to ch.3. Set this to input port.
		AD08 to AD11		I/O pin for upper 4-bit of external address data bus. Only enabled during external bus mode.

(Continued)

MB90495G Series

(Continued)

Pin No.		Pin Name	Circuit Type	Description
QFP-64P *1	LQFP-64P *2			
38 to 41	37 to 40	P14 to P17	D	General-purpose I/O port. Only enabled in single-chip mode.
		PPG0 to PPG3		Functions as output pin of PPG timer 0/1, 2/3. Only valid if output configuration is enabled.
		AD12 to AD15		I/O pin for upper 4-bit of external address data bus. Only enabled during external bus mode.
42	41	P20	D	General-purpose I/O port. When the bits of high address control register (HACR) are set to "1" in external bus mode, these pins function as general purpose I/O ports.
		TIN0		Functions as event input pin of TIN0 reload timer 0. Set this to input port.
		A16		Output pin of external address bus (A16) . Only valid when the bits of high address control register (HACR) are set to "0" in external bus mode.
43	42	P21	D	General-purpose I/O port. When the bits of high address control register (HACR) are set to "1" in external bus mode, these pins function as general purpose I/O ports.
		TOT0		Functions as event output pin of TOT0 reload timer 0. Only valid if output configuration enabled.
		A17		Output pin of external address bus (A17) . Only valid when the bits of high address control register (HACR) are set to "0" in external bus mode.
44	43	P22	D	General-purpose I/O port. When the bits of high address control register (HACR) are set to "1" in external bus mode, these pins function as general purpose I/O ports.
		TIN1		Functions as event input pin of TIN1 reload timer 1. Set this to input port.
		A18		Output pin of external address bus (A18) . Only valid when the bits of high address control register (HACR) are set to "0" in external bus mode.
45	44	P23	D	General-purpose I/O port. When the bits of high address control register (HACR) are set to "1" in external bus mode, these pins function as general purpose I/O ports.
		TOT1		Functions as event output pin for TOT1 reload timer 1. Only valid if output configuration enabled.
		A19		Output pin for external address bus (A19) . Only valid when the bits of high address control register (HACR) are set to "0" in external bus mode.

(Continued)

MB90495G Series

(Continued)

Pin No.		Pin Name	Circuit Type	Description
QFP-64P *1	LQFP-64P *2			
46 to 49	45 to 48	P24 to P27	D	General-purpose I/O port. When the bits of high address control register (HACR) are set to "1" in external bus mode, these pins function as general purpose I/O ports.
		INT4 to INT7		Functions as external interrupt input pin. Set this to input port.
		A20 to A23		Output pin for external address bus (A20 to A23) . Only valid when the bits of high address control register (HACR) are set to "0" in external bus mode.
50	49	V _{SS}	—	Power supply (0 V) input pin.
51	50	P30	D	General-purpose I/O port. Only enabled in single-chip mode.
		SOT0		UART0 serial data output pin. Only valid if UART0 serial data output configuration is enabled.
		ALE		Address latch authorization output pin. Only enabled during external bus mode.
52	51	P31	D	General-purpose I/O port. Only enabled in single-chip mode.
		SCK0		UART0 serial clock I/O pin. Only valid if UART0 serial clock I/O configuration is enabled.
		\overline{RD}		Lead strobe output pin. Only enabled during external bus mode.
53	52	P32	D	General-purpose I/O port.
		SIN0		UART0 serial data input pin. Set this to input port.
		\overline{WRL}		Write strobe output pin for lower 8-bit of data bus. Only valid if \overline{WRL} pin output is enabled, in external bus mode.
54	53	P33	D	General-purpose I/O port.
		\overline{WRH}		Write strobe output pin for upper 8-bit of data bus. Only valid if external bus mode/16-bit bus mode/ \overline{WRH} pin output enabled.
55	54	P34	D	General-purpose I/O port.
		HRQ		Hold request input pin. Only valid if hold input is enabled, in external bus mode.
56	55	P35	D	General-purpose I/O port.
		\overline{HAK}		Hold addressing output pin. Only valid if hold input is enabled, in external bus mode.
57	56	V _{CC}	—	Power supply (5 V) input pin.
58	57	C	—	Capacity pin for power stabilization. Please connect to an approximately 0.1 μ F ceramic capacitor.

(Continued)

MB90495G Series

(Continued)

Pin No.		Pin Name	Circuit Type	Description
QFP-64P *1	LQFP-64P *2			
59	58	P36	D	General-purpose I/O port.
		FRCK		Functions as an external clock input pin for a FRCK 16-bit free-run timer. Set this to input port.
		RDY		External ready input pin. Only valid if external ready input is enabled, in external bus mode.
60	59	P37	D	General-purpose I/O port.
		ADTG		Functions as A/D converter external trigger input pin. Set this to input port.
		CLK		External clock output pin. Only valid if external clock output is enabled, in external bus mode.
61	60	P40	D	General-purpose I/O port.
		SIN1		UART1 serial data input pin. Set this to input port.
62	61	P41	D	General-purpose I/O port.
		SCK1		UART1 serial clock I/O pin. Only valid if UART1 clock I/O configuration is enabled.
63	62	P42	D	General-purpose I/O port.
		SOT1		UART1 serial data output pin. Only valid if UART1 serial data output configuration is enabled.
64	63	P43	D	General-purpose I/O port.
		TX		CAN transmission output pin. Only valid if output configuration enabled.
1	64	P44	D	General-purpose I/O port.
		RX		CAN reception input pin. Set this to input port.

*1 : FPT-64P-M06

*2 : FPT-64P-M23

MB90495G Series

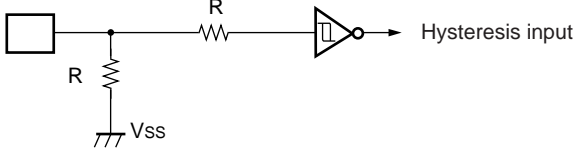
■ I/O CIRCUIT TYPE

Type	Circuit	Remarks
A		<ul style="list-style-type: none"> • High speed oscillation feedback resistor : 1 MΩ approx. • Low speed oscillation feedback resistor : 10 MΩ approx.
B		<ul style="list-style-type: none"> • Hysteresis input with pull-up • Pull-up Resistor : 50 kΩ approx.
C		Hysteresis input
D		<ul style="list-style-type: none"> • CMOS hysteresis input • CMOS level output • Standby control available
E		<ul style="list-style-type: none"> • CMOS hysteresis input • CMOS level output • Doubles as analog input pin • Standby control available

(Continued)

MB90495G Series

(Continued)

Type	Circuit	Remarks
F		<ul style="list-style-type: none"> • Hysteresis input with pull-down • Pull-down Resistor : 50 kΩ approx. (except Flash device)

MB90495G Series

■ HANDLING DEVICES

- **Make sure you do not exceed the maximum rated values (in order to prevent latch-up) .**
 - CMOS IC chips may suffer latch-up if a voltage higher than V_{CC} or lower than V_{SS} is applied to an input or output pin with other than mid or high current resistance; or voltage exceeding the rating is applied across V_{CC} and V_{SS} pins.
 - Latch-ups can dramatically increase the power supply current, causing thermal breakdown of the device. Make sure that you do not exceed the maximum rated value of your device, in order to prevent a latch-up.
 - When turning the analog power supply on or off, make sure that the analog power voltage (AV_{CC} , AVR) and analog input voltages do not exceed the digital voltage (V_{CC}) .

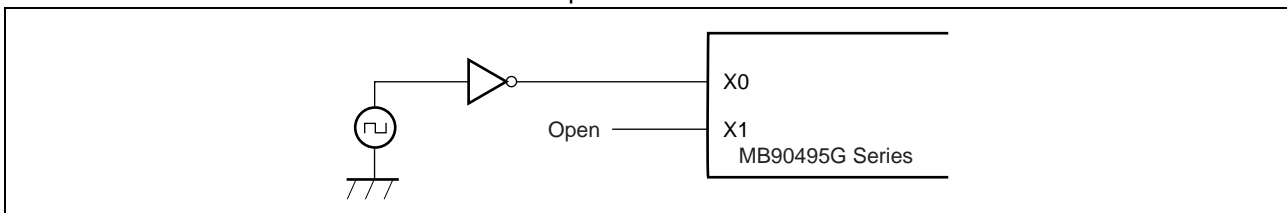
• Handling Unused Pins

Leaving unused input/output pins open may cause malfunctions and latch-ups, permanently damaging the device. Prevent this by connecting it to a pull-up or pull-down resistor of no less than 2 k Ω . Leave unused input/output pins open in output mode, or if in input mode, handle them in the same as input pins.

• Notes on Using External Clock

When using the external clock, drive pin X0 only, and leave pin X1 unconnected. See below for an example of external clock use.

Example External Clock Use



• Notes on Not Using Subclock

If you do not connect pins X0A and X1A to an oscillator, use pull-down handling on the X0A pin, and leave the X1A pin open.

• Power Supply Pins

- If your product has multiple V_{CC} or V_{SS} pins, pins of the same potential are internally connected in the device in order to avoid abnormal operation, including latch-up. However, you should make sure to connect the pins' external power and ground lines, in order to lower unneeded emissions, prevent abnormal operation of strobe signals due to a rise in ground levels, and maintain total output current within rated levels.
- Take care to connect the V_{CC} and V_{SS} pins of MB90495G Series devices to power lines via the lowest possible impedance.
- It is recommended that you connect a bypass capacitor of approximately 0.1 μF between V_{CC} and V_{SS} pins near MB90495G Series device pins.

• Crystal Oscillator Circuit

- Noise in the vicinity of X0 and X1 pins could cause abnormal operations in MB90495G Series devices. Make sure to provide bypass capacitors via the shortest possible distance from X0 and X1 pins, crystal oscillators (or ceramic resonators) , and ground lines. In addition, design your printed circuit boards so as to keep X0 and X1 wiring from crossing other wiring, if at all possible.
- It is strongly recommended that you provide printed circuit board artwork surrounding X0 and X1 pins within a grand area, as this should stabilize operation.

- **A/D Converter Power-up and Analog Input Initiation Sequence**

- Make sure to power up the A/D converter and analog input (pins AN0 to AN7) after turning on digital power (V_{CC}) .
- Turn off digital power after turning off the A/D converter power supply and analog inputs. In this case, make sure that the voltage of AVR does not exceed AV_{CC} (it is permissible to turn off analog and digital power simultaneously) .

- **Connecting Unused A/D Converter Pins**

If you are not using the A/D converter, set unused pins to $AV_{CC} = AVR = V_{CC}$, $AV_{SS} = V_{SS}$.

- **Notes for Powering Up**

Ensure that the voltage step-up time (between 0.2 V and 2.7 V) at power-up is no less than 50 μ s, in order to prevent malfunction in the built-in step-down circuit.

- **Initialization**

The device contains built-in registers which are only initialized by a power-on reset. Cycle the power supply to initialize these registers.

- **Stabilizing the Power Supply**

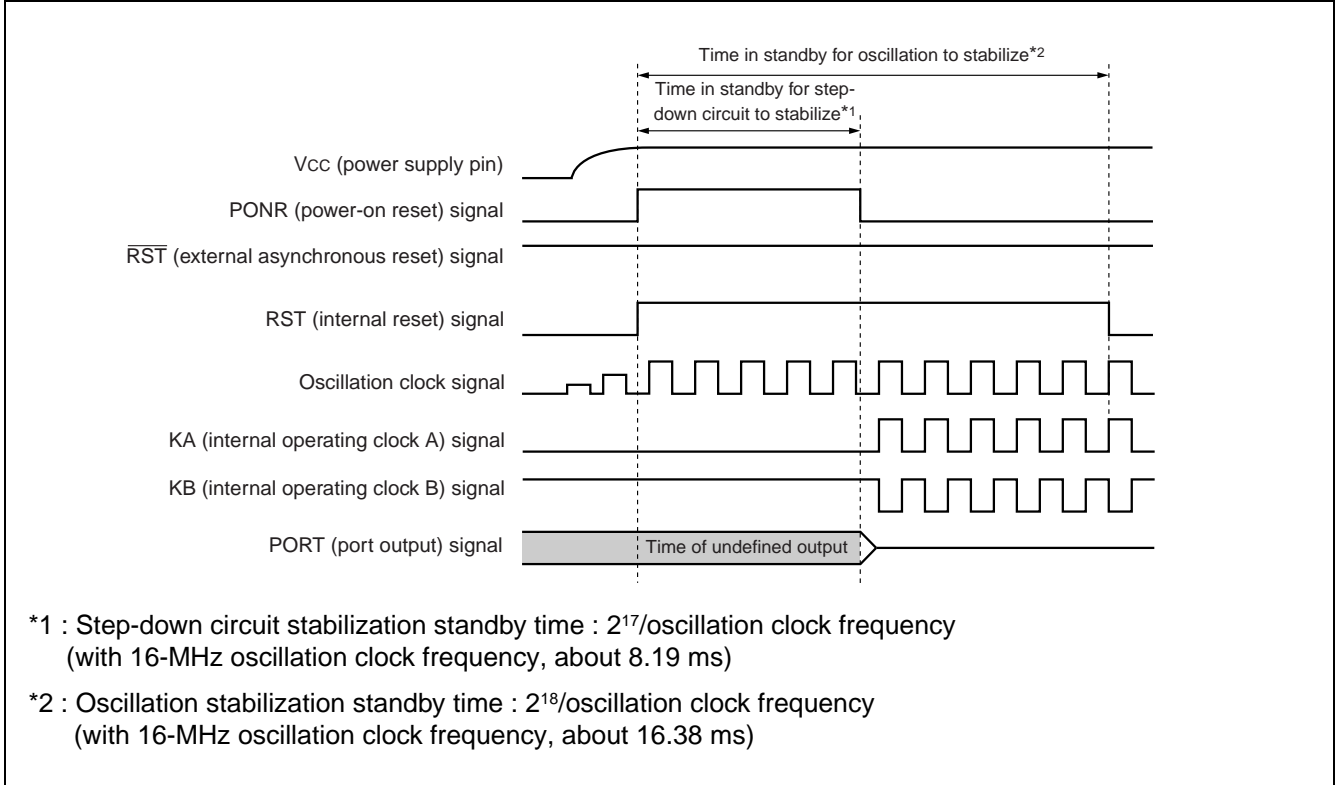
Make sure that the V_{CC} power supply voltage is stable. Even at the rated operating V_{CC} power supply voltage, large, sudden changes in the voltage could cause malfunctions. As a standard for stable power supply, keep V_{CC} ripples (peak-to-peak value) at commercial power frequencies (50 Hz / 60 Hz) to no more than 10% of the power supply voltage, and momentary surges caused by switching the power supply and other events to more than 0.1 V/ms.

- **If Output from Ports 0/1 Becomes Undefined**

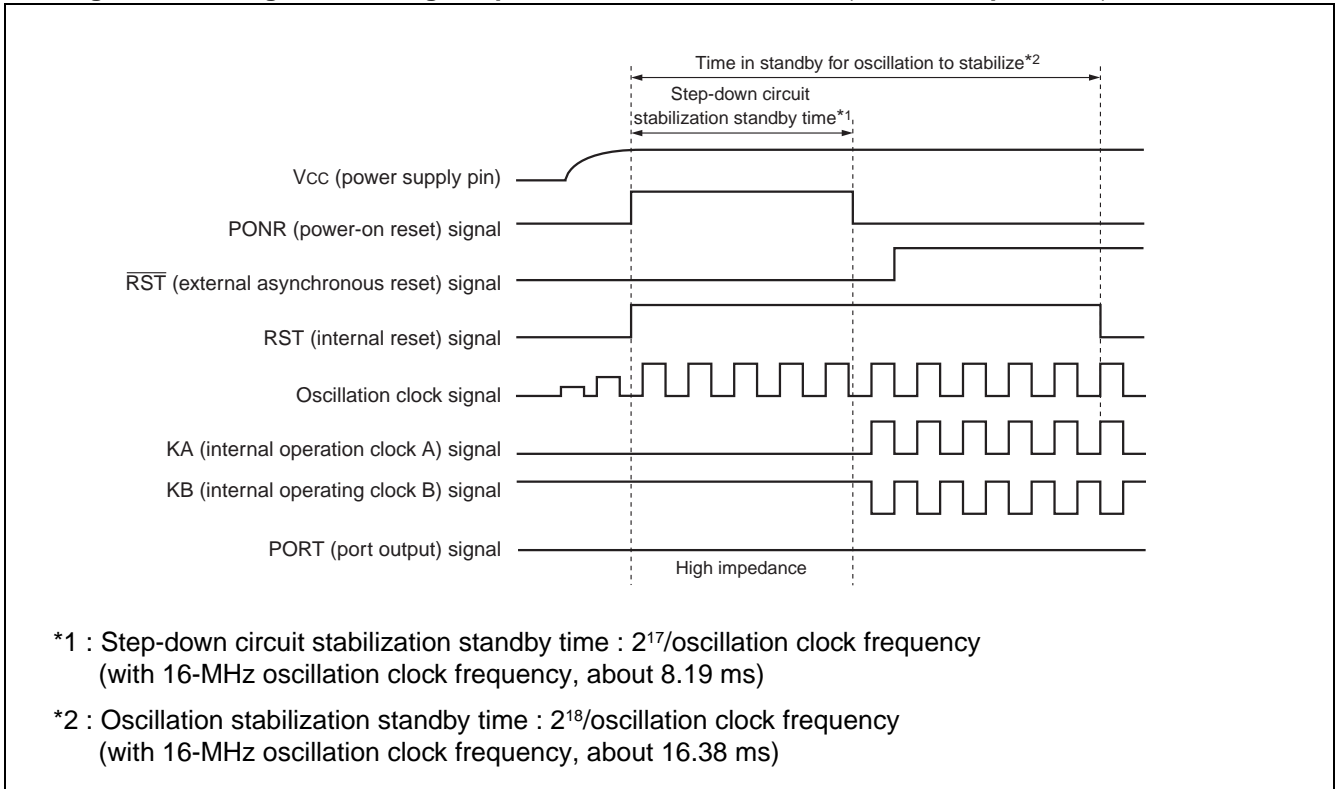
After power is turned on, if the \overline{RST} pin is set to "H" during step-down circuit stabilization standby (during power-on reset) , ports 0 and 1 output will be undefined. If the \overline{RST} pin is set to "L", ports 0 and 1 will go into a high impedance state. Take careful note of the timing of events outlined in figures 1 and 2.

MB90495G Series

• Figure 1 - Timing Chart of Undefined Output from Ports 0/1 (with $\overline{\text{RST}}$ pin set to "H")



• Figure 2 - Timing Chart of High Impedance State for Ports 0/1 (when $\overline{\text{RST}}$ pin is "L")



- **Caution on Operations during PLL Clock Mode**

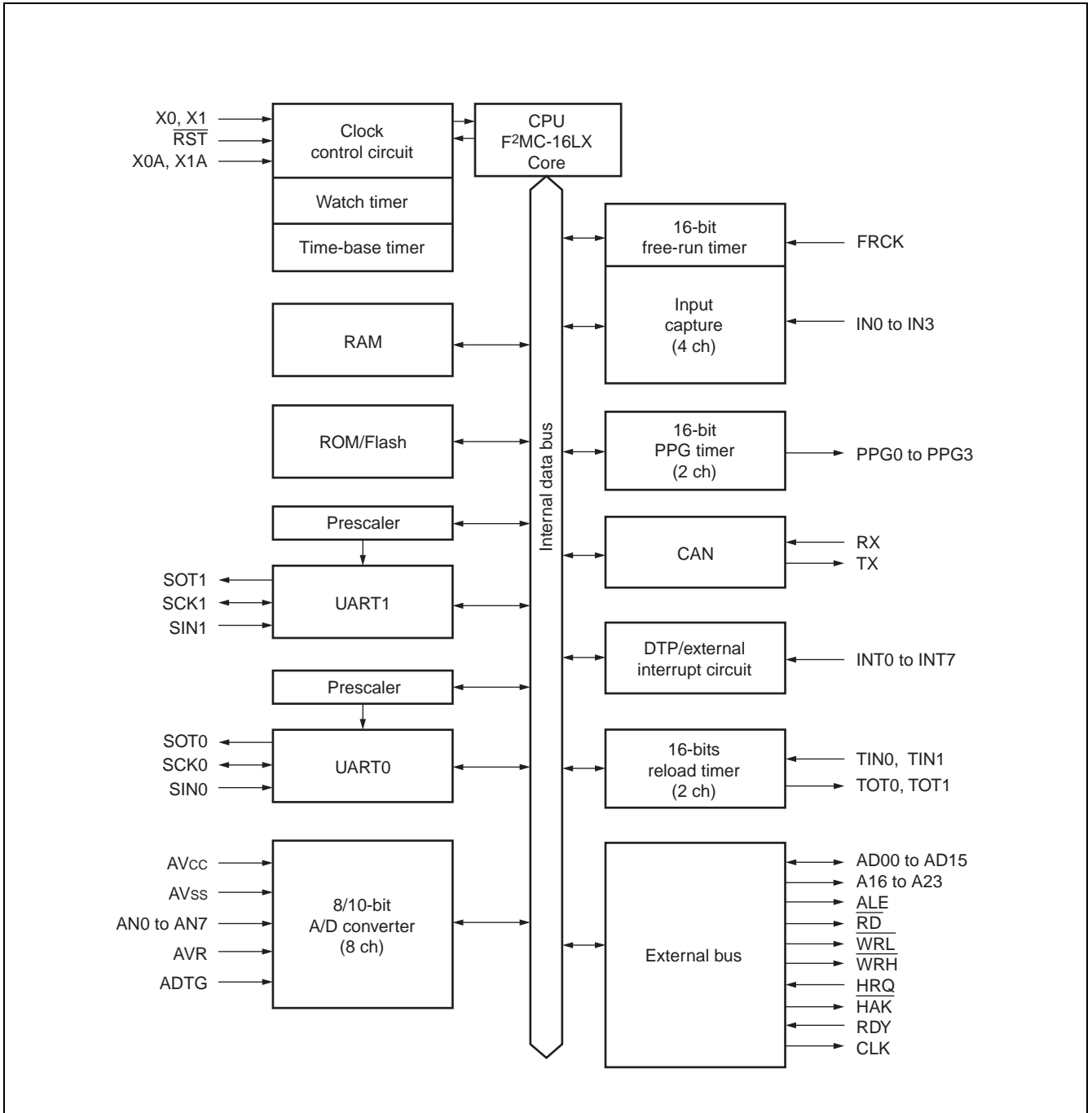
If the PLL clock mode is selected in the microcontroller, it may attempt to continue the operation using the free-running frequency of the automatic oscillating circuit in the PLL circuitry even if the oscillator is out of place or the clock input is stopped. Performance of this operation, however, cannot be guaranteed.

- **Support for $T_A = +125\text{ }^\circ\text{C}$**

If used exceeding $T_A = +105\text{ }^\circ\text{C}$, be sure to contact us for reliability limitations.

MB90495G Series

■ BLOCK DIAGRAM



MB90495G Series

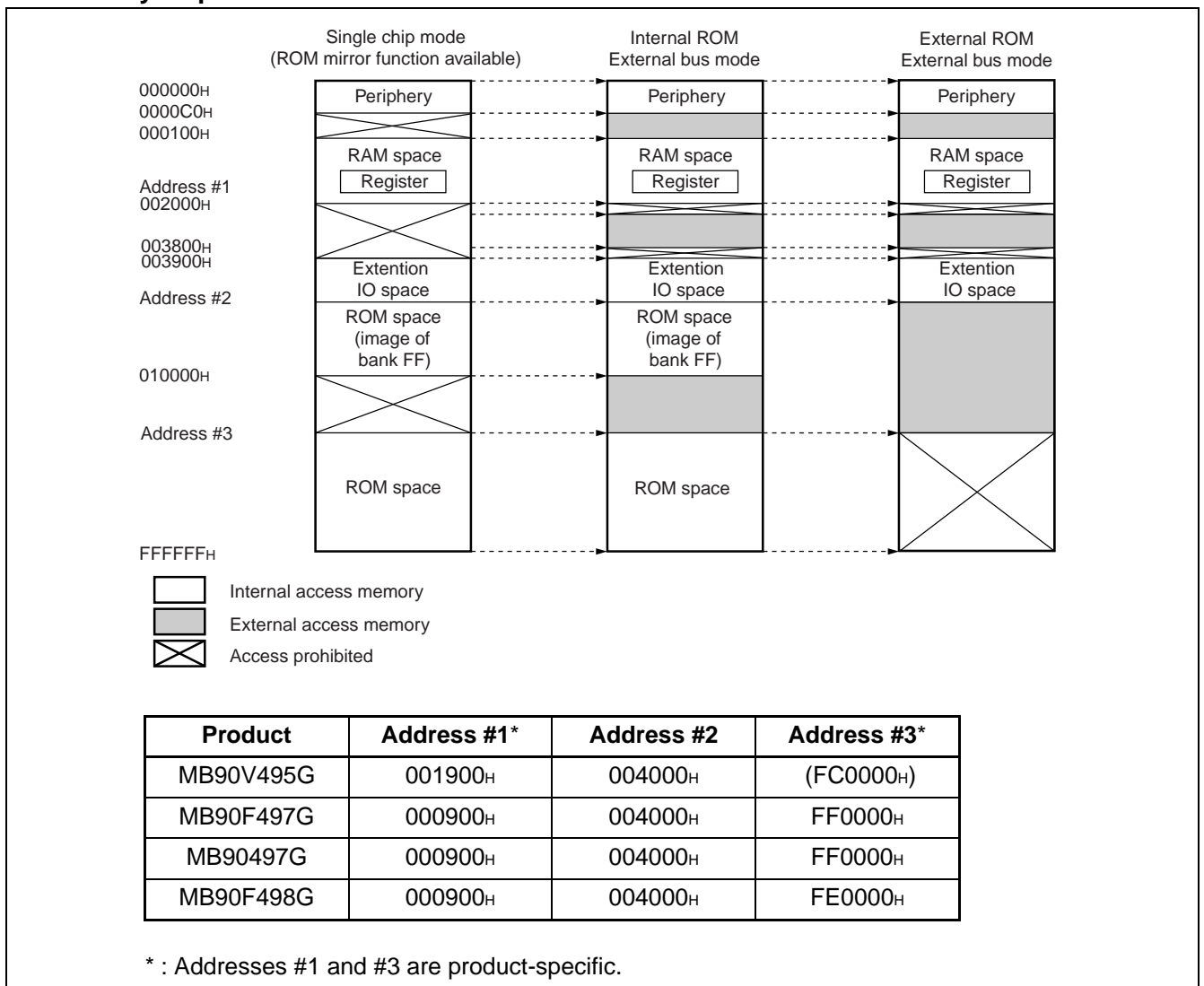
MEMORY MAP

The memory access modes of the MB90495G Series can be set to single chip mode, internal ROM - external bus mode, and external ROM - external bus mode.

1. Memory Allocation of the MB90495G

The MB90495G Series has 24-bit internal address bus and 24-bit external address bus output, enabling it to access up to 16 Mbytes of external access memory. The enable/disable time of the ROM mirror function is shown graphically in the memory map.

2. Memory Map



Note : When the internal ROM is operational, the ROM data in the upper address of bank 00 of the F²MC-16LX is visible in an image. This is called the ROM mirror function, and takes advantage of the small C compiler model. With the F²MC-16LX, the lower 16-bit address of bank FF and the lower 16-bit address of bank 00 are set identical to one another. This allows the ROM-internal table to be referenced without specifying a far pointer. For example, say the address “00C000H” is accessed. In actuality, the “FFC000H” address inside ROM will be accessed. However, as the ROM space in bank FF exceeds 48 Kbytes, the entire space cannot be viewed on bank 00’s image. And so, since “FF4000H” to “FFFFFFH” ROM data will be visible on the “004000H” to “00FFFFH” image, save the ROM data table in the “FF4000H” to “FFFFFFH” space.

MB90495G Series

■ I/O MAP

Address	Register Abbreviation	Register Name	Access	Resource Name	Initial Value
00000H	PDR0	Port 0 data register	R/W	Port 0	XXXXXXXX _B
00001H	PDR1	Port 1 data register	R/W	Port 1	XXXXXXXX _B
00002H	PDR2	Port 2 data register	R/W	Port 2	XXXXXXXX _B
00003H	PDR3	Port 3 data register	R/W	Port 3	XXXXXXXX _B
00004H	PDR4	Port 4 data register	R/W	Port 4	XXXXXXXX _B
00005H	PDR5	Port 5 data register	R/W	Port 5	XXXXXXXX _B
00006H	PDR6	Port 6 data register	R/W	Port 6	XXXXXXXX _B
00007H to 0000FH	(system-reserved area) *				
00010H	DDR0	Port 0 direction register	R/W	Port 0	00000000 _B
00011H	DDR1	Port 1 direction register	R/W	Port 1	00000000 _B
00012H	DDR2	Port 2 direction register	R/W	Port 2	00000000 _B
00013H	DDR3	Port 3 direction register	R/W	Port 3	00000000 _B
00014H	DDR4	Port 4 direction register	R/W	Port 4	XXX00000 _B
00015H	DDR5	Port 5 direction register	R/W	Port 5	00000000 _B
00016H	DDR6	Port 6 direction register	R/W	Port 6	XXXX0000 _B
00017H to 0001AH	(system-reserved area) *				
0001BH	ADER	Analog input enable register	R/W	8/10-bit A/D converter	11111111 _B
0001CH to 0001FH	(system-reserved area) *				
00020H	SMR0	Serial mode register 0	R/W	UART0	00000000 _B
00021H	SCR0	Serial control register 0	R/W		00000100 _B
00022H	SIDR0/ SODR0	Serial input data register 0/ Serial output data register 0	R/W		XXXXXXXX _B
00023H	SSR0	Serial status register 0	R/W		00001X00 _B
00024H	CDCR0	Communication prescaler control register 0	R/W		0XXX1111 _B
00025H	SES0	Serial edge selection register 0	R/W		XXXXXXXX0 _B
00026H	SMR1	Serial mode register 1	R/W	UART1	00000000 _B
00027H	SCR1	Serial control register 1	R/W		00000100 _B
00028H	SIDR1/ SODR1	Serial input data register 1/ Serial output data register 1	R/W		XXXXXXXX _B

(Continued)

MB90495G Series

Address	Register Abbreviation	Register Name	Access	Resource Name	Initial Value
000029 _H	SSR1	Serial status register 1	R/W	UART1	0 0 0 0 1 0 0 0 _B
00002A _H	(system-reserved area) *				
00002B _H	CDCR1	Communication prescaler control register 1	R/W	UART1	0 XXX 0 0 0 0 _B
00002C _H to 00002F _H	(system-reserved area) *				
000030 _H	ENIR	DTP/external interrupt enable register	R/W	DTP/external interrupt	0 0 0 0 0 0 0 0 _B
000031 _H	EIRR	DTP/external interrupt condition register	R/W		XXXXXXXX _B
000032 _H	ELVR	Detection level configuration register	R/W		0 0 0 0 0 0 0 0 _B
000033 _H			R/W		0 0 0 0 0 0 0 0 _B
000034 _H	ADCS	A/D control status register	R/W	8/10-bit A/D converter	0 0 0 0 0 0 0 0 _B
000035 _H			R/W		0 0 0 0 0 0 0 0 _B
000036 _H	ADCR	A/D data register	R		XXXXXXXX _B
000037 _H			R/W		0 0 1 0 1 XXX _B
000038 _H to 00003F _H	(system-reserved area) *				
000040 _H	PPGC0	PPG0 operation mode control register	R/W	8/16-bit PPG timer 0/1	0 X 0 0 0 XX 1 _B
000041 _H	PPGC1	PPG1 operation mode control register	R/W		0 X 0 0 0 0 0 1 _B
000042 _H	PPG01	PPG0/1 count clock selection register	R/W		0 0 0 0 0 0 XX _B
000043 _H	(system-reserved area) *				
000044 _H	PPGC2	PPG2 operation mode control register	R/W	8/16-bit PPG timer 2/3	0 X 0 0 0 XX 1 _B
000045 _H	PPGC3	PPG3 operation mode control register	R/W		0 X 0 0 0 0 0 1 _B
000046 _H	PPG23	PPG2/3 count clock selection register	R/W		0 0 0 0 0 0 XX _B
000047 _H to 00004F _H	(system-reserved area) *				
000050 _H	IPCP0	Input capture data register 0	R	16-bit I/O timer	XXXXXXXX _B
000051 _H					XXXXXXXX _B
000052 _H	IPCP1	Input capture data register 1	R		XXXXXXXX _B
000053 _H					XXXXXXXX _B
000054 _H	ICS01	Input capture control status register	R/W		0 0 0 0 0 0 0 0 _B
000055 _H					ICS23
000056 _H	TCDT	Timer counter data register	R/W		0 0 0 0 0 0 0 0 _B
000057 _H					0 0 0 0 0 0 0 0 _B

(Continued)

MB90495G Series

Address	Register Abbreviation	Register Name	Access	Resource Name	Initial Value
000058 _H	TCCS	Timer counter control status register	R/W	16-bit I/O timer	0 0 0 0 0 0 0 0 _B
000059 _H					0 XXXXXXX _B
00005A _H	IPCP2	Input capture data register 2	R		XXXXXXXX _B
00005B _H					XXXXXXXX _B
00005C _H	IPCP3	Input capture data register 3	R		XXXXXXXX _B
00005D _H					XXXXXXXX _B
00005E _H to 000065 _H	(system-reserved area) *				
000066 _H	TMCSR0	Timer control status register	R/W	16-bit reload timer 0	0 0 0 0 0 0 0 0 _B
000067 _H			R/W		XXX0 0 0 0 _B
000068 _H	TMCSR1		R/W	16-bit reload timer 1	0 0 0 0 0 0 0 0 _B
000069 _H			R/W		XXX0 0 0 0 _B
00006A _H to 00006E _H	(system-reserved area) *				
00006F _H	ROMM	ROM mirror function selection register	W	ROM mirror function selection module	XXXXXXXX 1 _B
000070 _H to 00007F _H	(system-reserved area) *				
000080 _H	BVALR	Message buffer valid register	R/W	CAN controller	0 0 0 0 0 0 0 0 _B
000081 _H	(system-reserved area) *				
000082 _H	TREQR	Send request register	R/W	CAN controller	0 0 0 0 0 0 0 0 _B
000083 _H	(system-reserved area) *				
000084 _H	TCANR	Send cancel register	W	CAN controller	0 0 0 0 0 0 0 0 _B
000085 _H	(system-reserved area) *				
000086 _H	TCR	Send complete register	R/W	CAN controller	0 0 0 0 0 0 0 0 _B
000087 _H	(system-reserved area) *				
000088 _H	RCR	Reception complete register	R/W	CAN controller	0 0 0 0 0 0 0 0 _B
000089 _H	(system-reserved area) *				
00008A _H	RRTRR	Reception RTR register	R/W	CAN controller	0 0 0 0 0 0 0 0 _B
00008B _H	(system-reserved area) *				
00008C _H	ROVRR	Reception overrun register	R/W	CAN controller	0 0 0 0 0 0 0 0 _B
00008D _H	(system-reserved area) *				
00008E _H	RIER	Reception complete interrupt enable register	R/W	CAN controller	0 0 0 0 0 0 0 0 _B

(Continued)

MB90495G Series

Address	Register Abbreviation	Register Name	Access	Resource Name	Initial Value
00008F _H to 00009D _H	(system-reserved area) *				
00009E _H	PACSR	Address detection control register	R/W	ROM correction function	0 0 0 0 0 0 0 0 _B
00009F _H	DIRR	Delayed interrupt request generate/ cancel register	R/W	Delayed interrupt generation module	XXXXXXXX 0 _B
0000A0 _H	LPMCR	Low power consumption mode control register	R/W	Low-power consumption modes	0 0 0 1 1 0 0 0 _B
0000A1 _H	CKSCR	Clock selection register	R/W	Clock	1 1 1 1 1 1 0 0 _B
0000A2 _H to 0000A4 _H	(system-reserved area) *				
0000A5 _H	ARSR	Auto ready function selection register	W	External access	0 0 1 1 XX 0 0 _B
0000A6 _H	HACR	High address control register	W		0 0 0 0 0 0 0 0 _B
0000A7 _H	ECSR	Bus control signal selection register	W		0 0 0 0 0 0 0 X _B or 0 0 0 0 1 0 0 X _B
0000A8 _H	WDTC	Watchdog timer control register	R/W	Watchdog timer	XXXXX 1 1 1 _B
0000A9 _H	TBTC	Time-base timer control register	R/W	Time-base timer	1 XX 0 0 1 0 0 _B
0000AA _H	WTC	Watch timer control register	R/W	Watch timer	1 X 0 0 1 0 0 0 _B
0000AB _H to 0000AD _H	(system-reserved area) *				
0000AE _H	FMCS	Flash memory control status register	R/W	512-Kbit flash memory	0 0 0 X 0 0 0 0 _B
0000AF _H	(system-reserved area) *				
0000B0 _H	ICR00	Interrupt control register 00	R/W	Interrupt controller	0 0 0 0 0 1 1 1 _B
0000B1 _H	ICR01	Interrupt control register 01	R/W		0 0 0 0 0 1 1 1 _B
0000B2 _H	ICR02	Interrupt control register 02	R/W		0 0 0 0 0 1 1 1 _B
0000B3 _H	ICR03	Interrupt control register 03	R/W		0 0 0 0 0 1 1 1 _B
0000B4 _H	ICR04	Interrupt control register 04	R/W		0 0 0 0 0 1 1 1 _B
0000B5 _H	ICR05	Interrupt control register 05	R/W		0 0 0 0 0 1 1 1 _B
0000B6 _H	ICR06	Interrupt control register 06	R/W		0 0 0 0 0 1 1 1 _B
0000B7 _H	ICR07	Interrupt control register 07	R/W		0 0 0 0 0 1 1 1 _B
0000B8 _H	ICR08	Interrupt control register 08	R/W		0 0 0 0 0 1 1 1 _B
0000B9 _H	ICR09	Interrupt control register 09	R/W		0 0 0 0 0 1 1 1 _B
0000BA _H	ICR10	Interrupt control register 10	R/W		0 0 0 0 0 1 1 1 _B

(Continued)

MB90495G Series

Address	Register Abbreviation	Register Name	Access	Resource Name	Initial Value
0000BB _H	ICR11	Interrupt control register 11	R/W	Interrupt controller	0 0 0 0 0 1 1 1 _B
0000BC _H	ICR12	Interrupt control register 12	R/W		0 0 0 0 0 1 1 1 _B
0000BD _H	ICR13	Interrupt control register 13	R/W		0 0 0 0 0 1 1 1 _B
0000BE _H	ICR14	Interrupt control register 14	R/W		0 0 0 0 0 1 1 1 _B
0000BF _H	ICR15	Interrupt control register 15	R/W		0 0 0 0 0 1 1 1 _B
0000C0 _H to 0000FF _H	(system-reserved area) *				
001FF0 _H	PADR0	Detection address configuration register 0 (lower)	R/W	ROM correction function	XXXXXXXX _B
001FF1 _H		Detection address configuration register 0 (mid)	R/W		XXXXXXXX _B
001FF2 _H		Detection address configuration register 0 (upper)	R/W		XXXXXXXX _B
001FF3 _H	PADR1	Detection address configuration register 1 (lower)	R/W		XXXXXXXX _B
001FF4 _H		Detection address configuration register 1 (mid)	R/W		XXXXXXXX _B
001FF5 _H		Detection address configuration register 1 (upper)	R/W		XXXXXXXX _B
003900 _H	TMR0/ TMRLR0	16-bit timer register 0/ 16-bit reload register 0	R/W	16-bit reload timer 0	XXXXXXXX _B
003901 _H					XXXXXXXX _B
003902 _H	TMR1/ TMRLR1	16-bit timer register 1/ 16-bit reload register 1	R/W	16-bit reload timer 1	XXXXXXXX _B
003903 _H					XXXXXXXX _B
003904 _H to 00390F _H	(system-reserved area) *				
003910 _H	PRL0	PPG0 reload register L	R/W	8/16-bit PPG timer	XXXXXXXX _B
003911 _H	PRLH0	PPG0 reload register H	R/W		XXXXXXXX _B
003912 _H	PRL1	PPG1 reload register L	R/W		XXXXXXXX _B
003913 _H	PRLH1	PPG1 reload register H	R/W		XXXXXXXX _B
003914 _H	PRL2	PPG2 reload register L	R/W		XXXXXXXX _B
003915 _H	PRLH2	PPG2 reload register H	R/W		XXXXXXXX _B
003916 _H	PRL3	PPG3 reload register L	R/W		XXXXXXXX _B
003917 _H	PRLH3	PPG3 reload register H	R/W		XXXXXXXX _B
003918 _H to 003BFF _H	(system-reserved area) *				
003C00 _H to 003C0F _H	RAM (general-purpose RAM)				

(Continued)

MB90495G Series

Address	Register Abbreviation	Register Name	Access	Resource Name	Initial Value
003C10 _H to 003C13 _H	IDR0	ID register 0	R/W	CAN controller	XXXXXXXX _B to XXXXXXXX _B
003C14 _H to 003C17 _H	IDR1	ID register 1	R/W		XXXXXXXX _B to XXXXXXXX _B
003C18 _H to 003C1B _H	IDR2	ID register 2	R/W		XXXXXXXX _B to XXXXXXXX _B
003C1C _H to 003C1F _H	IDR3	ID register 3	R/W		XXXXXXXX _B to XXXXXXXX _B
003C20 _H to 003C23 _H	IDR4	ID register 4	R/W		XXXXXXXX _B to XXXXXXXX _B
003C24 _H to 003C27 _H	IDR5	ID register 5	R/W		XXXXXXXX _B to XXXXXXXX _B
003C28 _H to 003C2B _H	IDR6	ID register 6	R/W		XXXXXXXX _B to XXXXXXXX _B
003C2C _H to 003C2F _H	IDR7	ID register 7	R/W		XXXXXXXX _B to XXXXXXXX _B
003C30 _H , 003C31 _H	DLCR0	DLC register 0	R/W		XXXXXXXX _B XXXXXXXX _B
003C32 _H , 003C33 _H	DLCR1	DLC register 1	R/W		XXXXXXXX _B XXXXXXXX _B
003C34 _H , 003C35 _H	DLCR2	DLC register 2	R/W		XXXXXXXX _B XXXXXXXX _B
003C36 _H , 003C37 _H	DLCR3	DLC register 3	R/W		XXXXXXXX _B XXXXXXXX _B
003C38 _H , 003C39 _H	DLCR4	DLC register 4	R/W		XXXXXXXX _B XXXXXXXX _B
003C3A _H , 003C3B _H	DLCR5	DLC register 5	R/W		XXXXXXXX _B XXXXXXXX _B
003C3C _H , 003C3D _H	DLCR6	DLC register 6	R/W		XXXXXXXX _B XXXXXXXX _B
003C3E _H , 003C3F _H	DLCR7	DLC register 7	R/W		XXXXXXXX _B XXXXXXXX _B
003C40 _H to 003C47 _H	DTR0	Data register 0	R/W		XXXXXXXX _B to XXXXXXXX _B

(Continued)

MB90495G Series

Address	Register Abbreviation	Register Name	Access	Resource Name	Initial Value
003C48 _H to 003C4F _H	DTR1	Data register 1	R/W	CAN controller	XXXXXXXX _B to XXXXXXXX _B
003C50 _H to 003C57 _H	DTR2	Data register 2	R/W		XXXXXXXX _B to XXXXXXXX _B
003C58 _H to 003C5F _H	DTR3	Data register 3	R/W		XXXXXXXX _B to XXXXXXXX _B
003C60 _H to 003C67 _H	DTR4	Data register 4	R/W		XXXXXXXX _B to XXXXXXXX _B
003C68 _H to 003C6F _H	DTR5	Data register 5	R/W		XXXXXXXX _B to XXXXXXXX _B
003C70 _H to 003C77 _H	DTR6	Data register 6	R/W		XXXXXXXX _B to XXXXXXXX _B
003C78 _H to 003C7F _H	DTR7	Data register 7	R/W		XXXXXXXX _B to XXXXXXXX _B
003C80 _H to 003CFF _H	(system-reserved area) *				
003D00 _H , 003D01 _H	CSR	Control status register	R/W	CAN controller	0 XXXX 00 1 _B 0 0 XXX 00 0 _B
003D02 _H	LEIR	Display last event register	R/W		0 0 0 XX 00 0 _B
003D03 _H	(system-reserved area) *				
003D04 _H , 003D05 _H	RTEC	Receive/transmit error counter	R	CAN controller	0 0 0 0 0 0 0 0 _B 0 0 0 0 0 0 0 0 _B
003D06 _H , 003D07 _H	BTR	Bit timing register	R/W		1 1 1 1 1 1 1 1 _B X 1 1 1 1 1 1 1 _B
003D08 _H	IDER	IDE register	R/W		XXXXXXXX _B
003D09 _H	(system-reserved area) *				
003D0A _H	TRTRR	Transmit RTR register	R/W	CAN controller	0 0 0 0 0 0 0 0 _B
003D0B _H	(system-reserved area) *				
003D0C _H	RFWTR	Remote frame reception standby register	R/W	CAN controller	XXXXXXXX _B
003D0D _H	(system-reserved area) *				
003D0E _H	TIER	Transmit complete interrupt enable register	R/W	CAN controller	0 0 0 0 0 0 0 0 _B

(Continued)

MB90495G Series

(Continued)

Address	Register Abbreviation	Register Name	Access	Resource Name	Initial Value
003D0FH	(system-reserved area) *				
003D10H, 003D11H	AMSR	Acceptance mask selection register	R/W	CAN controller	XXXXXXXX _B XXXXXXXX _B
003D12H, 003D13H	(system-reserved area) *				
003D14H to 003D17H	AMR0	Acceptance mask register 0	R/W	CAN controller	XXXXXXXX _B to XXXXXXXX _B
003D18H to 003D1BH	AMR1	Acceptance mask register 1	R/W		XXXXXXXX _B to XXXXXXXX _B
003D1CH to 003FFFH	(system-reserved area) *				

Explanation of reset values

0 : The reset value of this bit is 0.

1 : The reset value of this bit is 1.

X : The reset value of this bit is undefined.

* : System-reserved area contains system-internal addresses, and cannot be used.

MB90495G Series

■ INTERRUPT CONDITIONS AND INTERRUPT VECTOR/REGISTER

Interrupt Condition	EPOS Compatible	Interrupt Vector		Interrupt Register		Priority *3
		Number	Address	ICR	Address	
Reset	×	#08	08 _H	FFFFDC _H	—	Highest ↑
INT 9 instruction	×	#09	09 _H	FFFFD8 _H	—	
Exception processing	×	#10	0A _H	FFFFD4 _H	—	
Can controller reception complete (RX)	×	#11	0B _H	FFFFD0 _H	ICR00	0000B0 _H (*1)
Can controller reception complete (TX) / Node status transition (NS)	×	#12	0C _H	FFFFCC _H		
Reserved	×	#13	0D _H	FFFFC8 _H	ICR01	0000B1 _H
Reserved	×	#14	0E _H	FFFFC4 _H		
External interrupt (INT0/INT1)	△	#15	0F _H	FFFFC0 _H	ICR02	0000B2 _H (*1)
Time-base timer	×	#16	10 _H	FFFFBC _H		
16-bit reload timer 0	△	#17	11 _H	FFFFB8 _H	ICR03	0000B3 _H (*1)
8/10-bit A/D converter	△	#18	12 _H	FFFFB4 _H		
16-bit free-run timer overflow	△	#19	13 _H	FFFFB0 _H	ICR04	0000B4 _H (*1)
External interrupt (INT2/INT3)	△	#20	14 _H	FFFFAC _H		
Reserved	×	#21	15 _H	FFFFA8 _H	ICR05	0000B5 _H (*2)
PPG timer ch.0, ch.1 underflow	×	#22	16 _H	FFFFA4 _H		
Input capture 0 load	△	#23	17 _H	FFFFA0 _H	ICR06	0000B6 _H (*1)
External interrupt (INT4/INT5)	△	#24	18 _H	FFFF9C _H		
Input capture 1 load	△	#25	19 _H	FFFF98 _H	ICR07	0000B7 _H (*1)
PPG timer ch.2, ch.3 underflow	×	#26	1A _H	FFFF94 _H		
External interrupt (INT6/INT7)	△	#27	1B _H	FFFF90 _H	ICR08	0000B8 _H (*1)
Watch timer	△	#28	1C _H	FFFF8C _H		
Reserved	×	#29	1D _H	FFFF88 _H	ICR09	0000B9 _H (*1)
Input capture 2 load Input capture 3 load	×	#30	1E _H	FFFF84 _H		
Reserved	×	#31	1F _H	FFFF80 _H	ICR10	0000BA _H (*1)
Reserved	×	#32	20 _H	FFFF7C _H		
Reserved	×	#33	21 _H	FFFF78 _H	ICR11	0000BB _H (*1)
Reserved	×	#34	22 _H	FFFF74 _H		
Reserved	×	#35	23 _H	FFFF70 _H	ICR12	0000BC _H (*1)
16-bit reload timer 1	○	#36	24 _H	FFFF6C _H		
UART1 reception complete	◎	#37	25 _H	FFFF68 _H	ICR13	0000BD _H (*1)
UART1 transmission complete	△	#38	26 _H	FFFF64 _H		

(Continued)

MB90495G Series

(Continued)

Interrupt Condition	EI ² OS Compatible	Interrupt Vector			Interrupt Register		Priority ^{*3}
		Number	Address	Address	ICR	Address	
UART0 reception complete	◎	#39	27 _H	FFFF60 _H	ICR14	0000BE _H (*1)	↓ Lowest
UART0 transmission complete	△	#40	28 _H	FFFF5C _H			
Flash memory	×	#41	29 _H	FFFF58 _H	ICR15	0000BF _H (*1)	
Delayed interrupt generation module	×	#42	2A _H	FFFF54 _H			

○ : Available

×

◎ : Available, EI²OS halt function supplied

△ : Available for interrupt conditions not shared by ICR

*1 : • The interrupt level is the same for peripheral devices sharing the ICR register.

- Peripheral devices that share the ICR register and use the extended intelligent I/O service only utilize one set.
- If one side of a peripheral device sharing the ICR register is set to extended intelligent I/O service, the other side cannot use interrupts.

*2 : Only the 16-bit reload timer is compatible with EI²OS. Since PPG does not support EI²OS, if you use EI²OS with the 16-bit reload timer, prohibit interrupts by PPG.

*3 : Priority if two or more interrupts with the same level are generated simultaneously.

MB90495G Series

■ PERIPHERAL RESOURCES

1. I/O Port

(1) Overview

General-purpose (parallel) I/O ports can be used as the I/O ports. The MB90495G Series has 7 ports (49) . Each port doubles as a peripheral device I/O pin.

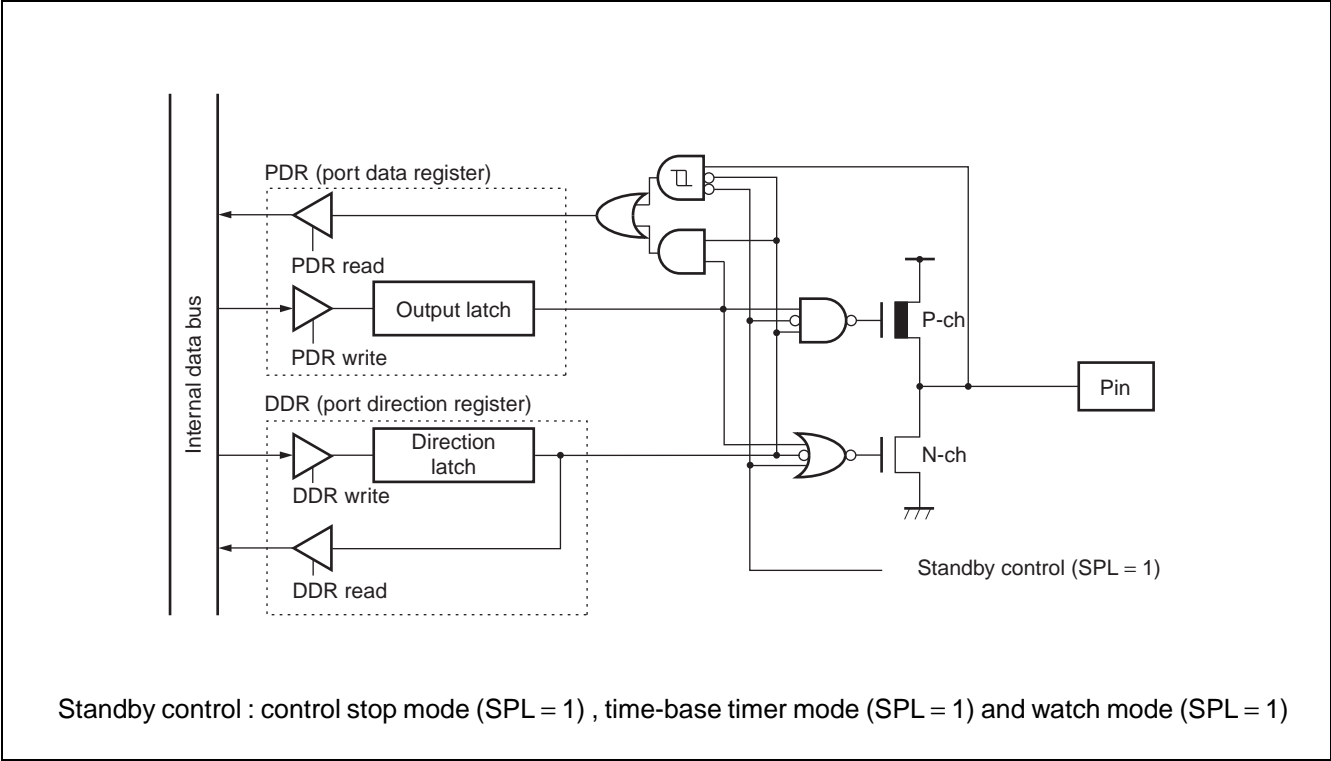
• I/O Port Features

I/O ports output data to I/O pins and load signals input to them, by means of the port data register (PDR) . Additionally, the port direction register (DDR) sets the I/O direction of the I/O pins at the bit level. Below is a description of each pin's function, and the peripheral device that shares it.

- Port 0 : general-purpose I/O port/doubles as external address data bus pin
- Port 1 : general-purpose I/O port/doubles as PPG timer output, input capture input, and external address data bus pin
- Port 2 : general-purpose I/O port/doubles as reload timer I/O, external interrupt input pin, and external address bus pin
- Port 3 : general-purpose I/O port/doubles as UART0 I/O, free-run timer, and A/D converter startup trigger pin
- Port 4 : general-purpose I/O port/doubles as UART1 I/O, and CAN controller transmit/receive pin
- Port 5 : general-purpose I/O port/doubles as analog input pin
- Port 6 : general-purpose I/O port/doubles as external interrupt input pin

MB90495G Series

• Pin Block Diagram for Port 0 (single chip mode)



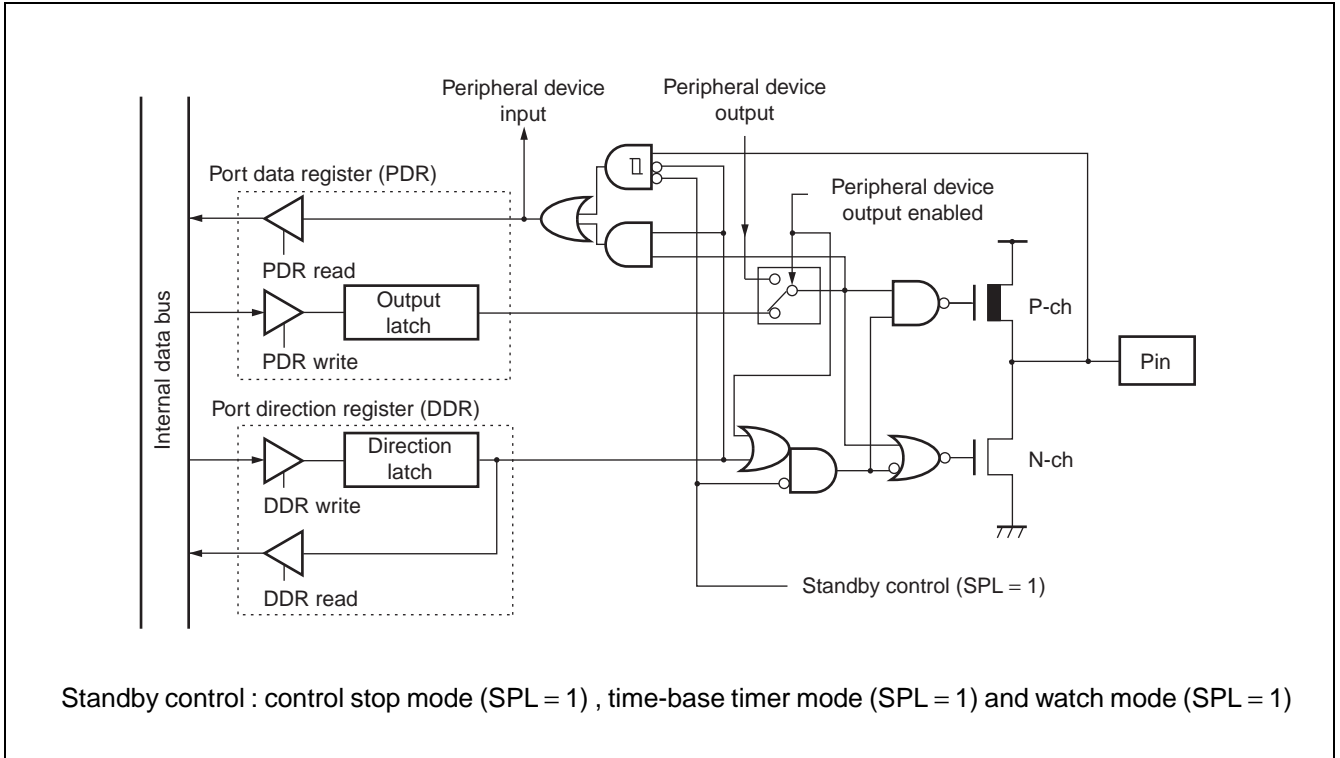
- Port 0 register (single chip mode)
 - The port 0 register contains the port 0 data register (PDR0) and the port 0 direction register (DDR0) .
 - The bits making up the register are in a one-to-one relation to the port 0 pin.

Compatibility between port 0 register and pin

Port Name	Related register bit and corresponding pin								
Port 0	PDR0, DDR0	bit7	bit6	bit5	bit4	bit3	bit2	bit1	bit0
	Corresponding pin	P07	P06	P05	P04	P03	P02	P01	P00

MB90495G Series

- **Block Diagram for Pins of Ports 1, 2, 3 and 4 (single-chip mode)**



- **Port 1 register (single-chip mode)**
- The port1 register contains the port 1 data register (PDR1) and the port 1 direction register (DDR1) .
- The bits making up the register are in a one-to-one relationship with the port 1 pins.

Port 1 Register and Corresponding Pins

Port Name	Related register bit and corresponding pin								
	PDR1, DDR1	bit7	bit6	bit5	bit4	bit3	bit2	bit1	bit0
Port 1	Corresponding pin	P17	P16	P15	P14	P13	P12	P11	P10

MB90495G Series

- **Port 2 register**

- The port2 register contains the port 2 data register (PDR2) , the port 2 direction register (DDR2) and the high address control register (HACR).
- The high address control register (HACR) enables or disables the output of external addresses (A16 to A23). When the register enables the output of the external addresses, the port can not be used as a peripheral device and a general-purpose I/O port.
- The bits making up the register are in a one-to-one relationship with the port 2 pins.

Port 2 Register and Corresponding Pins

Port Name	Related register bit and corresponding pin								
Port 2	PDR2, DDR2, HACR	bit7	bit6	bit5	bit4	bit3	bit2	bit1	bit0
	Corresponding pin	P27	P26	P25	P24	P23	P22	P21	P20

- **Port 3 register**

- The port3 register contains the port 3 data register (PDR3) and the port 3 direction register (DDR3) .
- The bus control signal selection register (ECSR) enables or disables the input and output of external bus control signals (\overline{WRL} / \overline{WRH} , HRQ / HAK, RDY, CLK). When the register enables the input and output of the external bus control signals, the port can not be used as a peripheral device and a general-purpose I/O port.
- The bits making up the register are in a one-to-one relationship with the port 3 pins.

Port 3 Register and Corresponding Pins

Port Name	Related register bit and corresponding pin								
Port 3	PDR3, DDR3	bit7	bit6	bit5	bit4	bit3	bit2	bit1	bit0
	ECSR	CKE	RYE	HDE		WRE		—	
	Corresponding pin	P37	P36	P35	P34	P33	P32	P31	P30

- **Port 4 register**

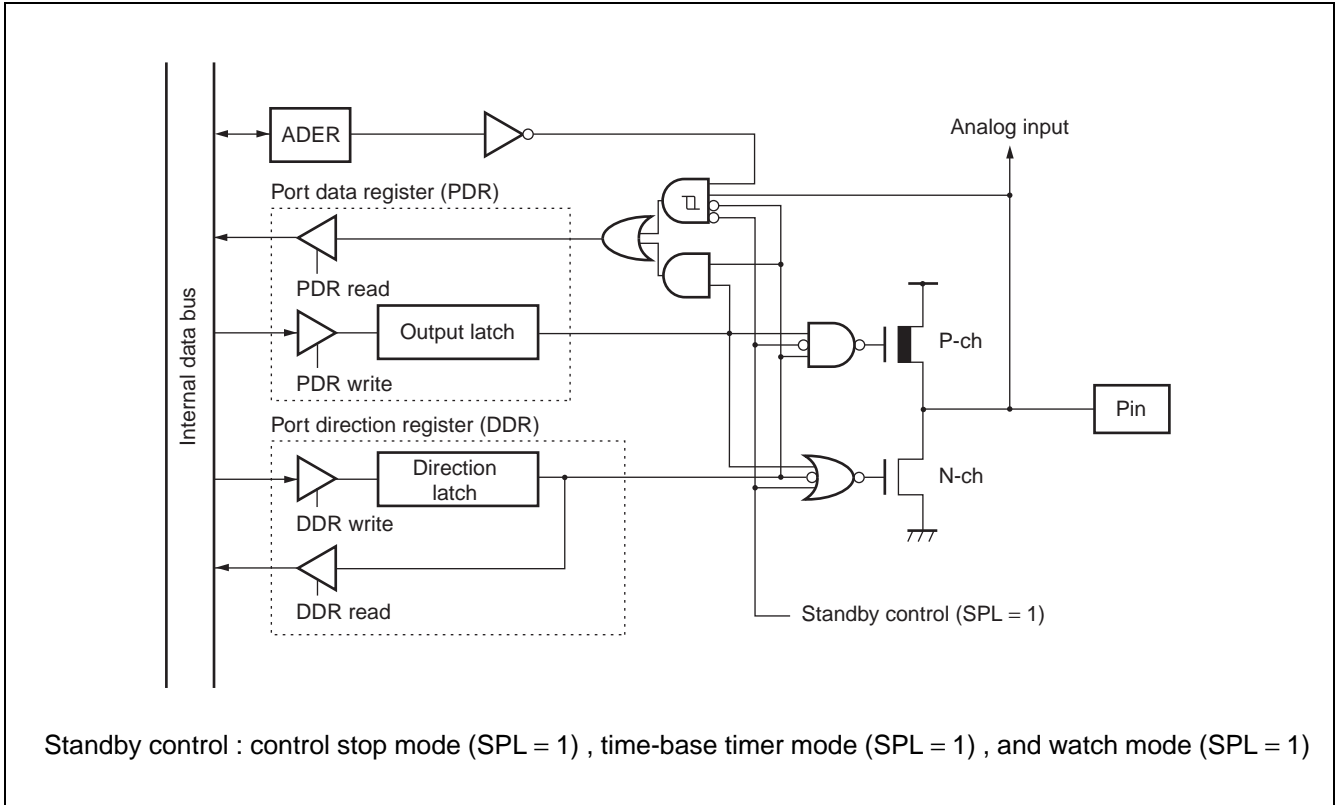
- The port4 register contains the port 4 data register (PDR4) and the port 4 direction register (DDR4) .
- The bits making up the register are in a one-to-one relationship with the port 4 pins.

Port 4 Register and Corresponding Pins

Port Name	Related register bit and corresponding pin								
Port 4	PDR4, DDR4	—	—	—	bit4	bit3	bit2	bit1	bit0
	Corresponding pin	—	—	—	P44	P43	P42	P41	P40

MB90495G Series

• Block Diagram of Port 5 Pins



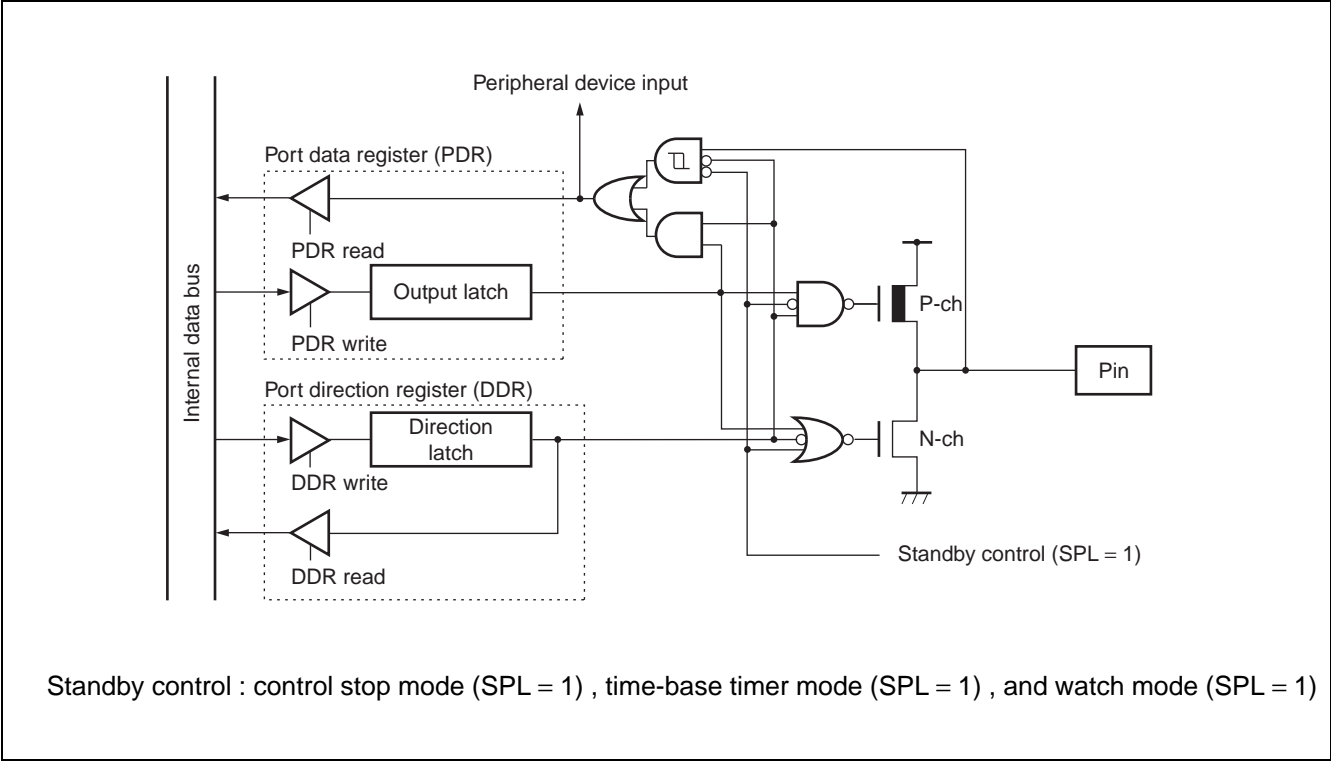
• Port 5 register

- The port register contains the port 5 data register (PDR5) , the port 5 direction register (DDR5) and the analog input enable register (ADER) .
- The analog data enable register (ADER) enables or disables the input of analog signals by the analog input pin.
- The bits making up the register are in a one-to-one correspondence with the pins of port 5.

Port 5 Register and Corresponding Pins

Port Name	Related register bit and corresponding pin								
	PDR5, DDR5	bit7	bit6	bit5	bit4	bit3	bit2	bit1	bit0
Port 5	ADER	ADE7	ADE6	ADE5	ADE4	ADE3	ADE2	ADE1	ADE0
	Corresponding pin	P57	P56	P55	P54	P53	P52	P51	P50

• **Block Diagram of Port 6 Pins**



- **Port 6 register**
- The port 6 register contains the port 6 data register (PDR6) and the port 6 direction register (DDR6) .
- The bits making up the register are in a one-to-one relationship with the port 6 pins.

Port 6 Register and Corresponding Pins

Port Name	Related register bit and corresponding pin								
	PDR6, DDR6	bit7	bit6	bit5	bit4	bit3	bit2	bit1	bit0
Port 6	Corresponding pin	—	—	—	—	P63	P62	P61	P60

MB90495G Series

2. Time-base Timer

The time-base timer is an 18-bit free-run counter (time-base counter) for counting up in synchronization with the main clock (1/2 main oscillation clock).

- Four interval times are available, and interrupt requests can be generated for each interval time.
- The time-base timer also has a function for supplying timers for oscillation stabilize standby time and operating clocks for peripheral devices.

• Interval timer feature

- When the time-base timer counter reaches the interval set by the interval time selection bits (TBTC : TBC1, TBC0), it generates an overflow (TBTC : TBOF = 1) and interrupt request.
- If the interrupts due to overflow generation are enabled (TBTC : TBIE = 1), when an overflow is generated (TBTC : TBOF = 1), an interrupt is generated.
- Select from the following 4 time-base timer intervals :

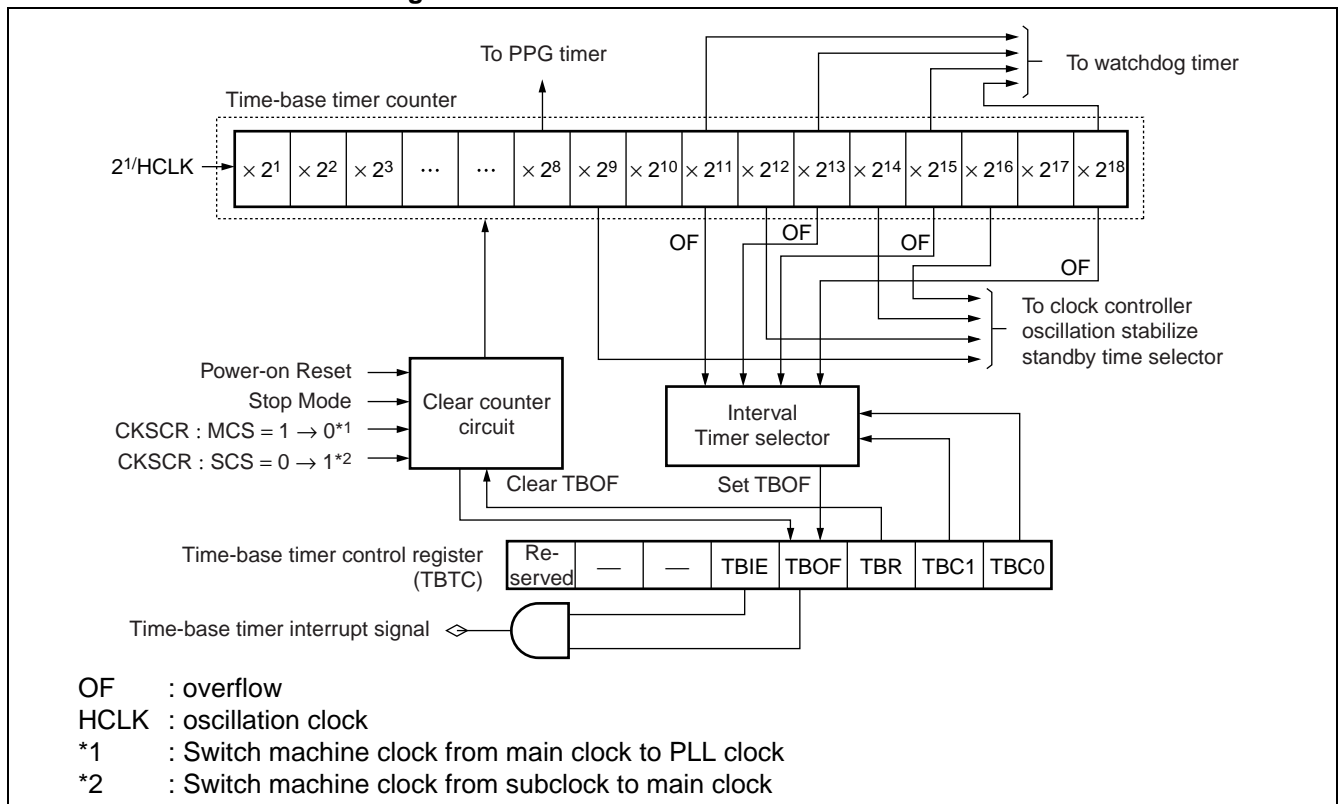
Time-base timer interval times

Count Clock	Interval Time
2/HCLK (0.5 μs)	2 ¹² /HCLK (approx. 1.0 ms)
	2 ¹⁴ /HCLK (approx. 4.1 ms)
	2 ¹⁶ /HCLK (approx. 16.4 ms)
	2 ¹⁹ /HCLK (approx. 131.1 ms)

HCLK : oscillation clock

The number in parentheses () for 4-MHz oscillation clock operation

• Time-base Timer Block Diagram



See below for the actual interrupt request number of the time-base timer :

Interrupt request number : #16 (10_H)

3. Watchdog Timer

The watchdog timer is a 2-bit timer used as a count clock for the timer-based or watch timer.

If the counter is not cleared within the interval time, it resets the CPU.

• Watchdog Timer Function

- The watchdog timer is a timer counter used to deal with runaway programs. Once the watchdog timer is launched, it is necessary to keep clearing its counter within the specified interval. If the specified interval passes without the watchdog timer counter being cleared, the CPU will be reset. This feature is called the watchdog timer.
- The watchdog timer interval traces back to the clock interval input as the count clock. A watchdog reset is generated for the smallest to largest times.
- The clock source output destination is set by the watchdog clock selection bit of the watch timer control register (WTC : WDSC) .
- The watchdog timer interval is set time-base timer output selection bit/watch timer output selection bit of the watchdog timer control register (WDTC : WT1, WT0) .

Watchdog Timer Intervals

Minimum	Maximum	Clock Interval	Minimum	Maximum	Clock Interval
Approx. 3.58 ms	Approx. 4.61 ms	$2^{14} \pm 2^{11}/$ HCLK	Approx. 0.457 s	Approx. 0.576 s	$2^{12} \pm 2^9/$ SCLK
Approx. 14.33 ms	Approx. 18.3 ms	$2^{16} \pm 2^{13}/$ HCLK	Approx. 3.584 s	Approx. 4.608 s	$2^{15} \pm 2^{12}/$ SCLK
Approx. 57.23 ms	Approx. 73.73 ms	$2^{18} \pm 2^{15}/$ HCLK	Approx. 7.168 s	Approx. 9.216 s	$2^{16} \pm 2^{13}/$ SCLK
Approx. 458.75 ms	Approx. 589.82 ms	$2^{21} \pm 2^{18}/$ HCLK	Approx. 14.336 s	Approx. 18.432 s	$2^{17} \pm 2^{14}/$ SCLK

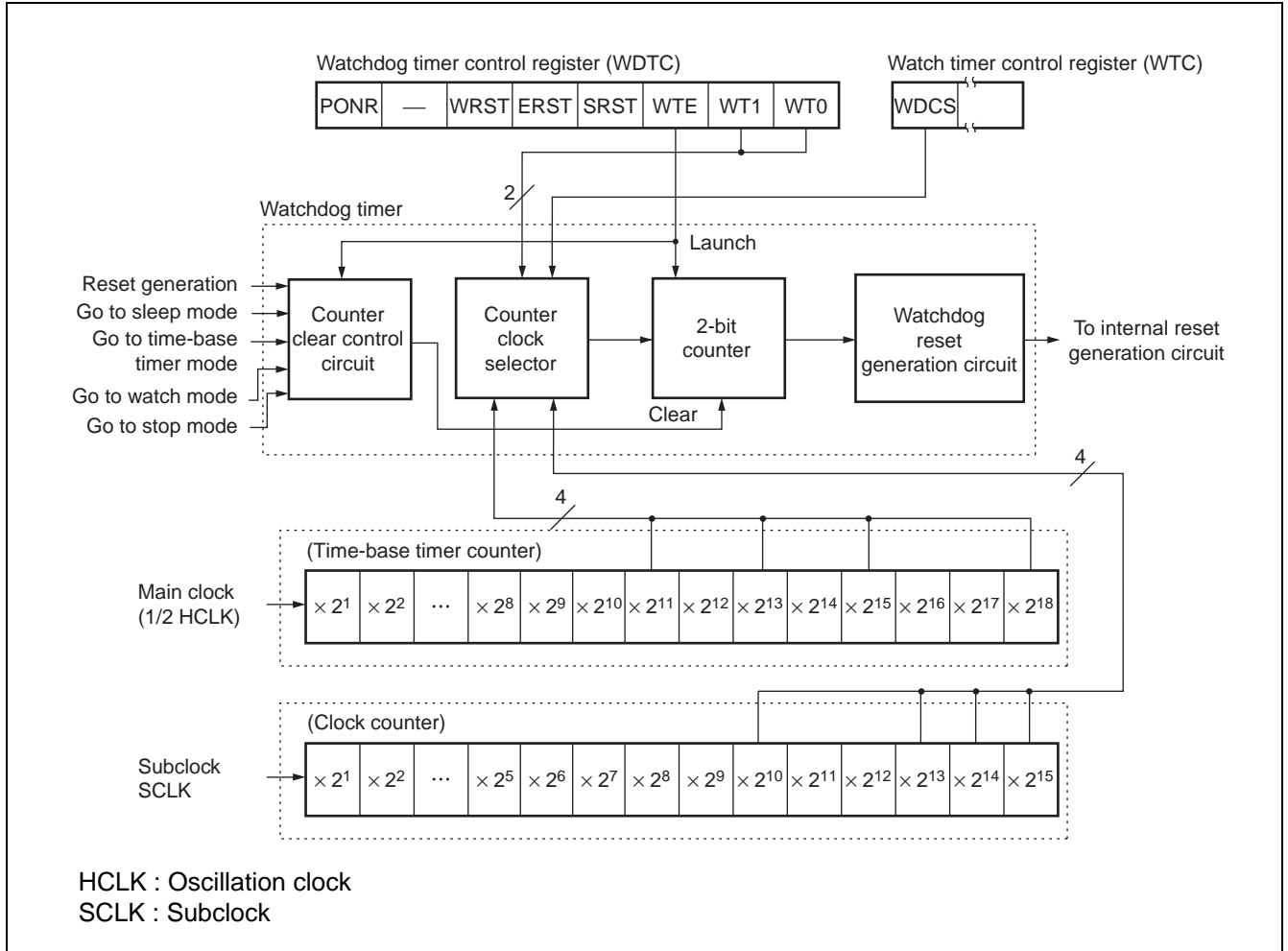
HCLK : oscillation clock (4 MHz) ; SCLK : Subclock (8.192 kHz)

Notes: • If the count clock of the watchdog timer is set to time-base timer output (overflow signal) , then clearing the time-base timer could make it take longer to reset the watchdog.

- If you are using a subclock as the machine clock, make sure to select watch timer output by setting the watchdog timer clock source selection bit (WDSC) of the watch timer control register (WTC) to 0.

MB90495G Series

• Watchdog Timer Block Diagram



4. 16-bit I/O Timer

The 16-bit I/O timer is a complex module comprising one 16-bit free-run timer, and two input capture units (4 input pins) . Clock interval input signals and pulse widths can be measured based on the 16-bit free-run timer.

- **16-bit I/O Timer Configuration**

The 16-bit I/O timer is made up of the following modules :

- One 16-bit free-run timer
- Two input capture units (each unit having 2 input pins)
- **16-bit I/O Timer Function**

(1) 16-bit free-run timer function

The 16-bit free-run timer consists of a 16-bit up counter, a time counter control status register, and prescaler. The 16-bit up counter counts up in synchronization with a fraction of the machine clock.

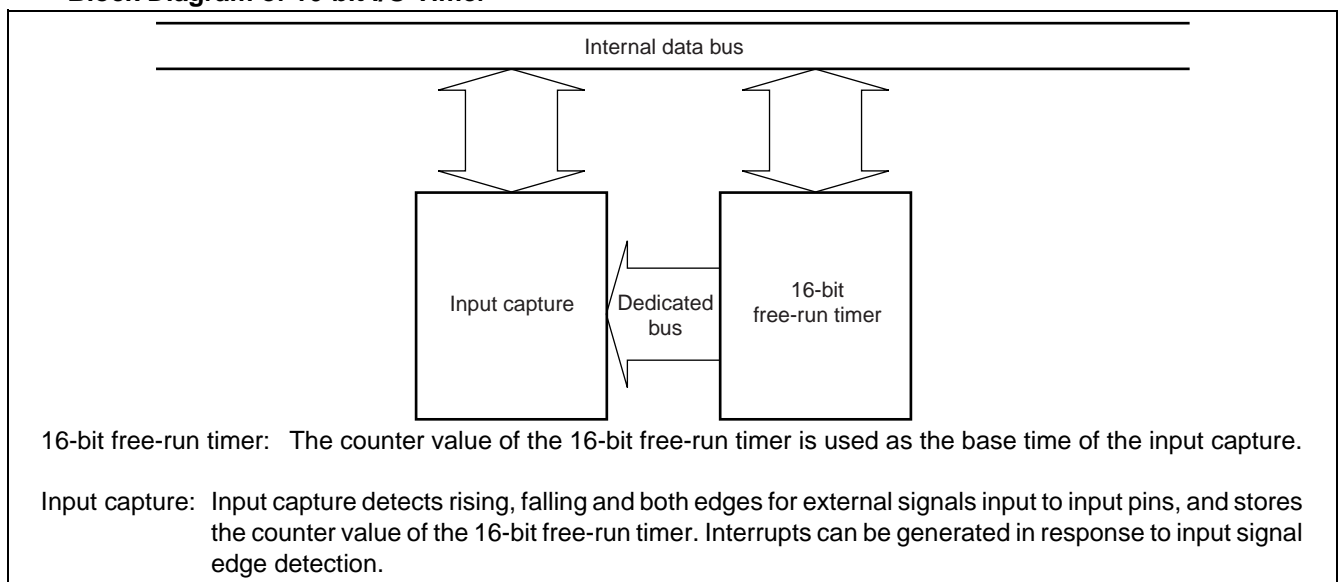
- The count clock can be set to one of eight fractions of the machine clock. The external clock signals input to the 16-bit free-run timer clock input pin (FRCK) can be used as the count clock.
- Interrupts can be generated in response to counter value overflows.
- Interrupts launch the extended intelligent I/O service (EI²OS) .
- The count value of the 16-bit free-run timer can be cleared to "0000H" by either a reset, or software clear via the timer count clear bit (TCCS : CLR) .
- The count value of the 16-bit free-run timer is output to the input capture, and used as the base time for capture operation.

(2) Input Capture Function

When the input capture detects that an external signal edge has been input to an input pin, it stores the count value of the 16-bit free-run timer in the input capture data register, for the point at which the edge was detected. The input capture consists of an input capture register corresponding to four I/O pins, an input capture control status register, and an edge detection circuit.

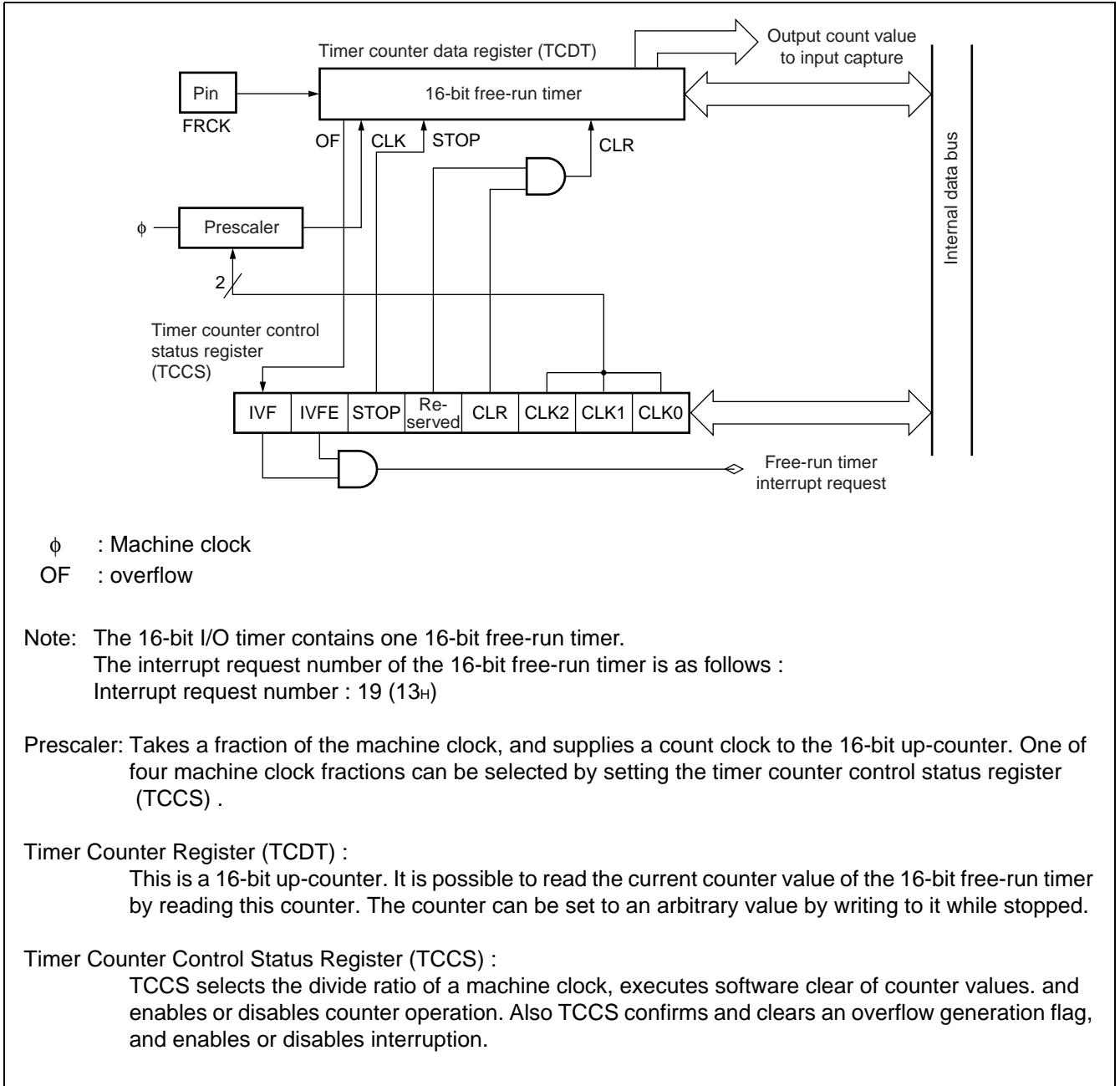
- When an edge is detected, either rising, falling, or both can be selected.
- An interrupt request can be generated to the CPU when an input signal edge is detected.
- Interrupts launch the extended intelligent I/O service (EI²OS) .
- Since the input capture has four pairs of input pins and input capture data registers, it can measure up to 4 phenomena.

- **Block Diagram of 16-bit I/O Timer**

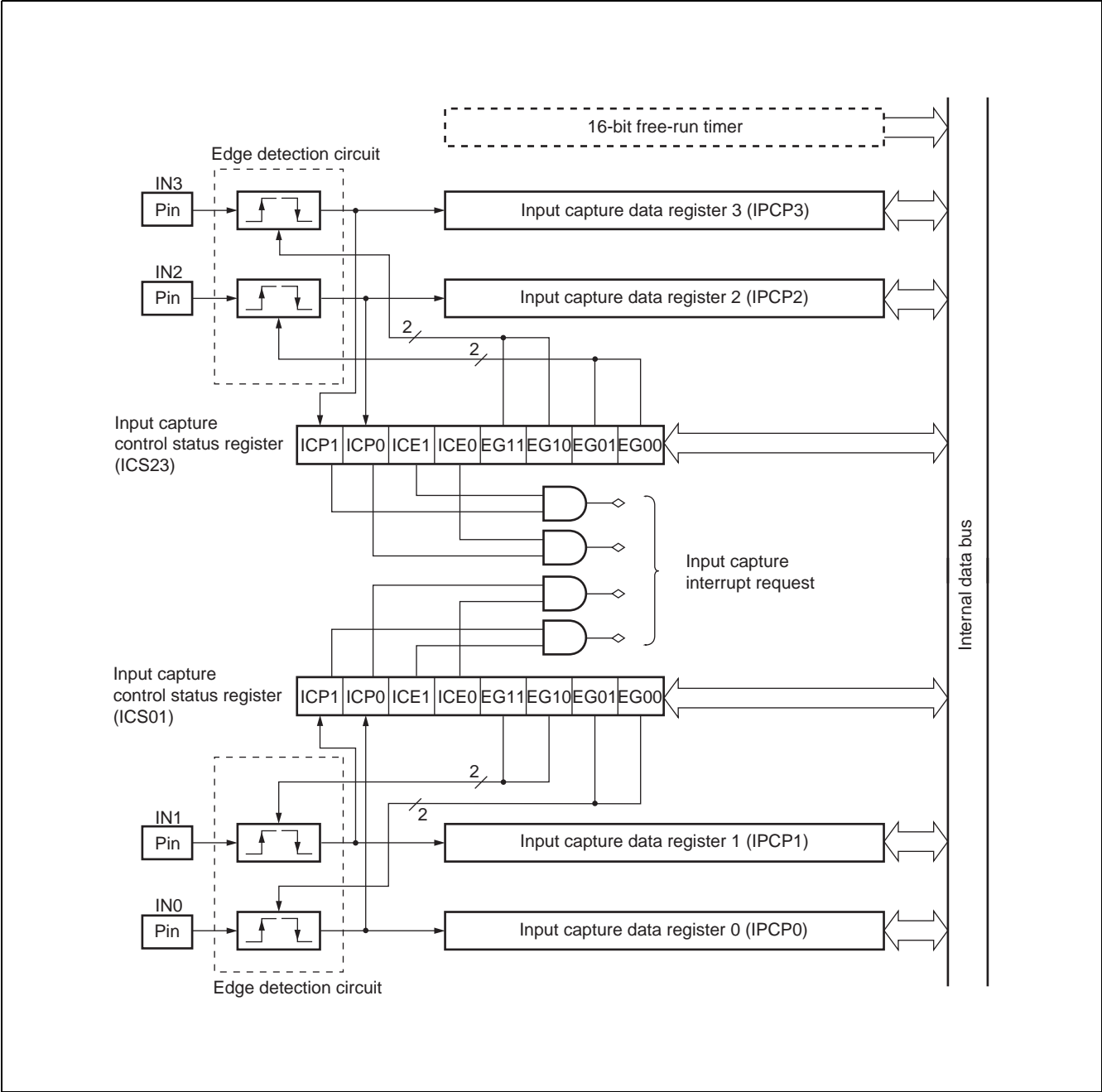


MB90495G Series

• Block Diagram of 16-bit Free-run Timer



• Input Capture Block Diagram



MB90495G Series

5. 16-bit Reload Timer

The functions of the 16-bit reload timer are as follows :

- Choose one of three internal clocks or an external event clock as the count clock.
- Choose a software or external launch trigger.
- An interrupt can be sent to the CPU in response to an underflow generated by the 16-bit timer register. Interrupts can be used to utilize the timer as an interval timer.
- When an underflow is generated by the 16-bit timer register (TMR) , select one-shot mode, where TMR counter operation is halted, or reload mode, where the 16-bit reload register value is reloaded, and TMR count operation continues.
- Supports extended intelligent I/O service (EI²OS) .
- The MB90495G Series features two on-chip 16-bit reload timer channels.

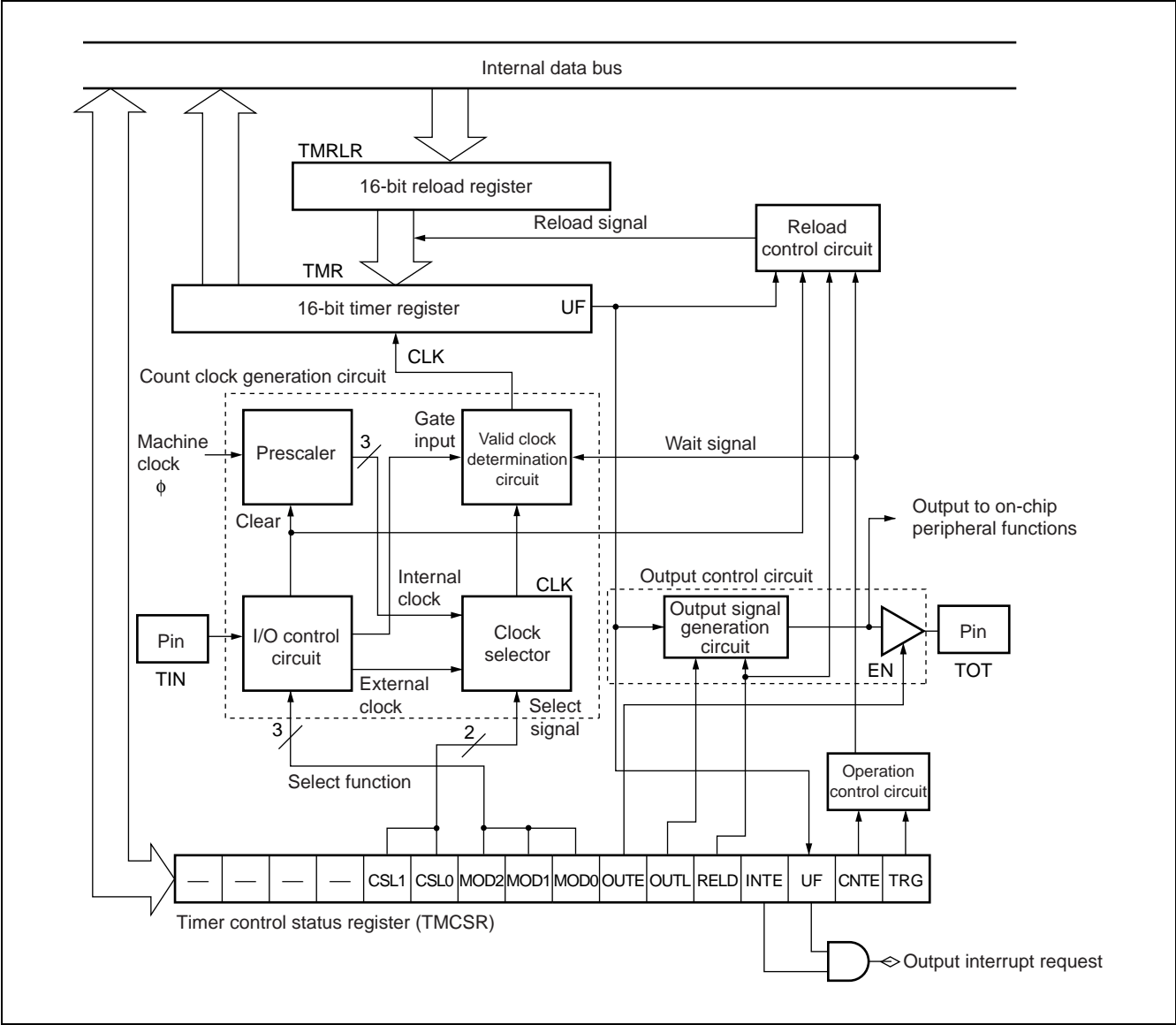
• 16-bit Reload Timer Operation Mode

Count Clock	Launch Trigger	Operation in Case of Underflow
Internal clock mode	Software trigger External trigger	One-shot mode Reload mode
Event count mode	Software trigger	One-shot mode Reload mode

• Internal Clock Mode

- Set the count clock selection bits of the timer control status register (TMCSR : CSL1, CSL0) to “00_B”, “01_B” or “10_B” to set the 16-bit reload timer to internal clock mode.
- In internal clock mode, the timer counts down in synchronization with the internal clock.
- Set the count clock selection bits of the timer control status register (TMCSR : CSL1, CSL0) to select one of three count clock intervals.
- Select software-triggered or externally triggered (edge detection) launch.

• 16-bit Reload Timer Block Diagram



MB90495G Series

6. Watch Timer

The watch timer is a 15-bit free-run counter that counts up in synchronization with the subclock.

- Eight different intervals can be selected, and interrupt requests generated for each interval time.
- Supplies a timer for subclock oscillation stabilization standby, and an operational clock for the watchdog timer.
- The subclock is always the count clock, regardless of the clock selection register (CKSCR) setting.

• Interval timer feature

- When the interval time set by the interval time selection bits (WTC : WTC2 to WTC0) is reached, the clock timer generates an overflow in the bits corresponding to the interval time of the watch timer counter, and sets the overflow flag bit (WTC : WTOF = 1) .
- Interrupts arising from overflows are enabled (WTC : WTIE = 1) , an interrupt request is generated when the overflow flag bit is set (WTC : WTOF = 1) .
- Select from one of the following 8 watch timer intervals :

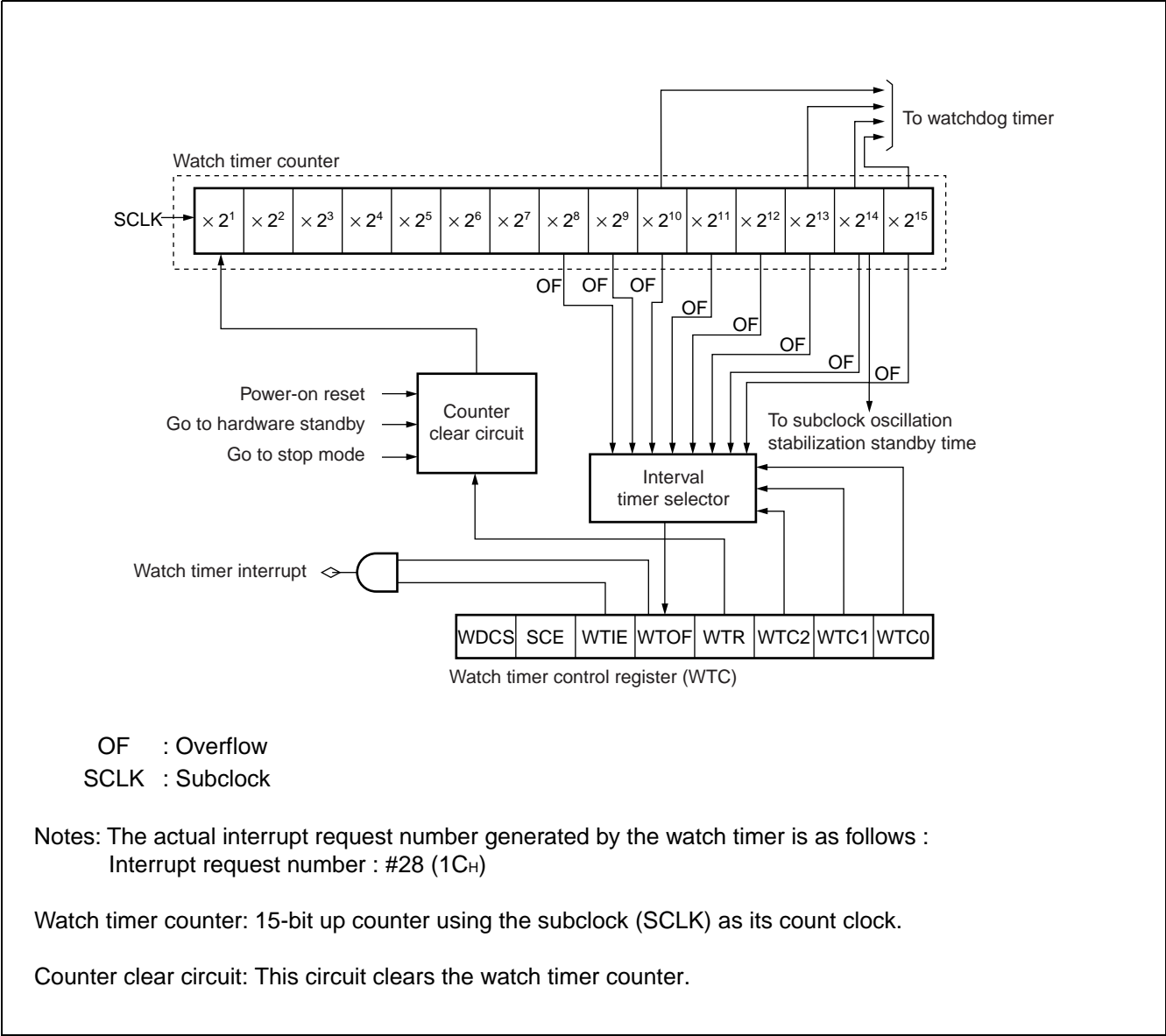
Clock Timer Interval Times

Subclock Frequency	Interval Time
1/SCLK (122 μ s)	2^8 /SCLK (31.25 ms)
	2^9 /SCLK (62.5 ms)
	2^{10} /SCLK (125 ms)
	2^{11} /SCLK (250 ms)
	2^{12} /SCLK (500 ms)
	2^{13} /SCLK (1.0 s)
	2^{14} /SCLK (2.0 s)
	2^{15} /SCLK (4.0 s)

SCLK : Subclock frequency

Figures in parentheses () are a sample calculation with the subclock running at 8.192 kHz.

• Watch Timer Block Diagram



MB90495G Series

7. 8/16-Bit PPG

The 8/16-bit PPG timer is a 2-channel reload timer module (PPG0, PPG1) capable of arbitrary synchronization and pulse output of duty ratio. Combining the 2 channel module can yield the following behavior :

- 8-bit PPG output, 2-channel independent operation mode
- 16-bit PPG output operation mode
- 8 + 8-bit PPG output operation mode

The MB90495G Series features two on-chip, 8/16-bit PPG timers. This section describes the functions of PPG0/1. PPG2/3 has the same functions as PPG0/1.

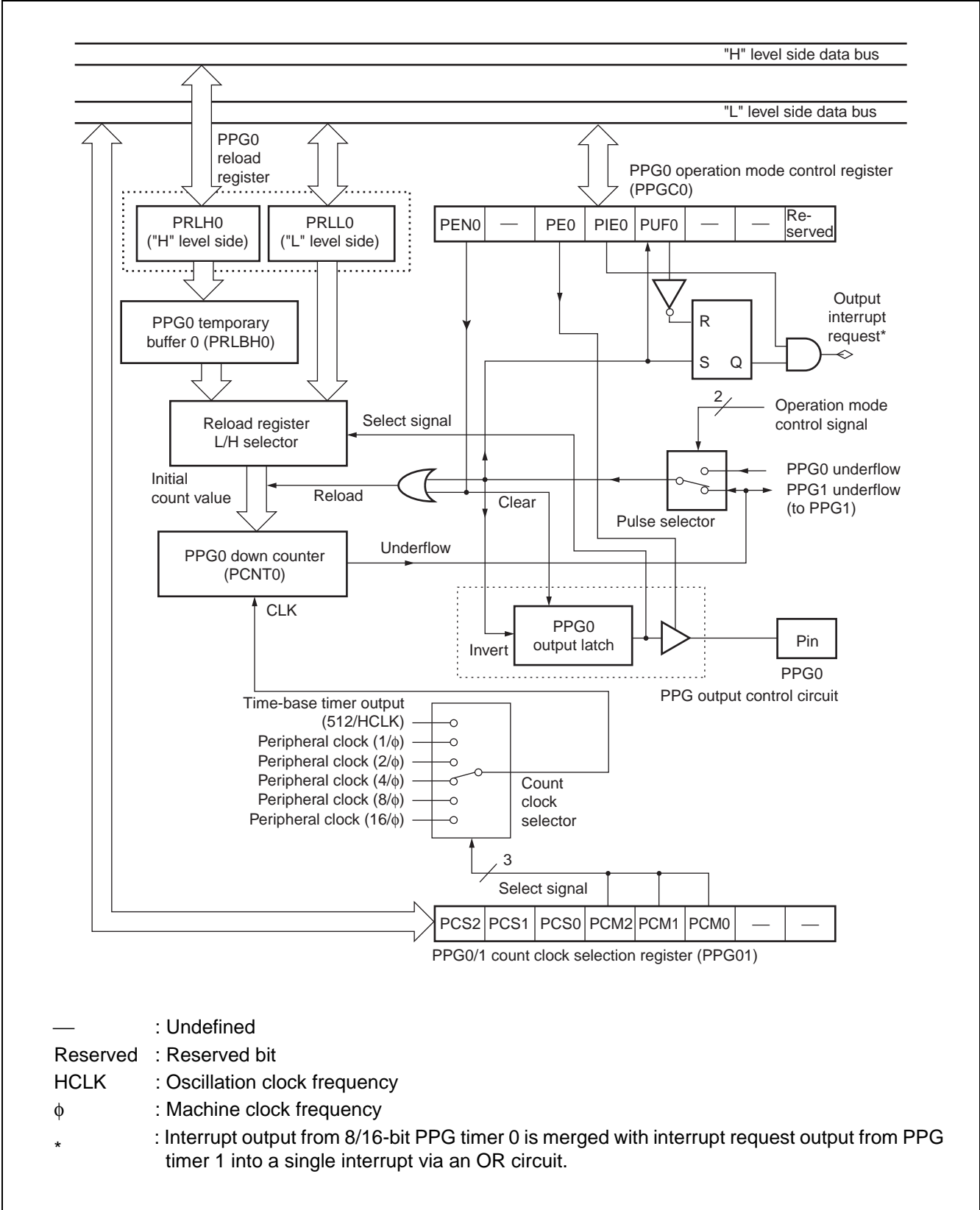
• 8/16-bit PPG Timer Functions

The 8/16-bit PPG timer is made up of four 8-bit reload registers (PRLH0/PRL0, PRLH1/PRL1) , and two PPG down counters (PCNT0, PCNT1) .

- Since you can set each output pulse to “H” or “L” width independently, the interval and duty ratio of each pulse can be set to an arbitrary value.
- Select one of 6 internal clocks as the count clock.
- Interrupt requests can be generated for each interval time, allowing the timer to be used as an interval timer.
- The use of an external circuit allows the timer to be used as a D/A converter.

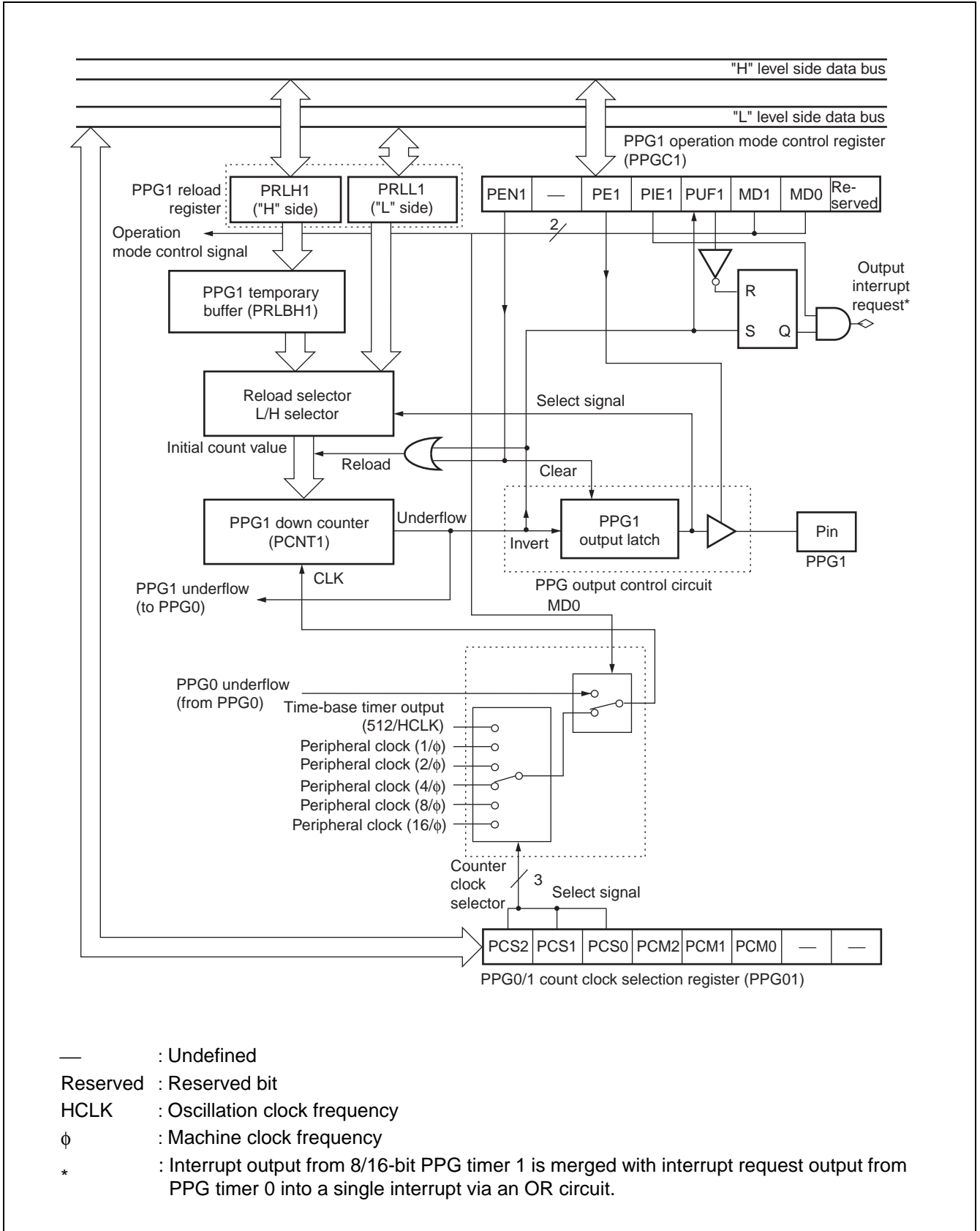
MB90495G Series

• Block Diagram of 8/16-Bit PPG Timer 0



MB90495G Series

• Block Diagram of 8/16-Bit PPG Timer1



8. Delayed Interrupt Generation Module

The delayed interrupt generation module generates interrupts for switching tasks.

This module can be used to generate hardware interrupts from the software.

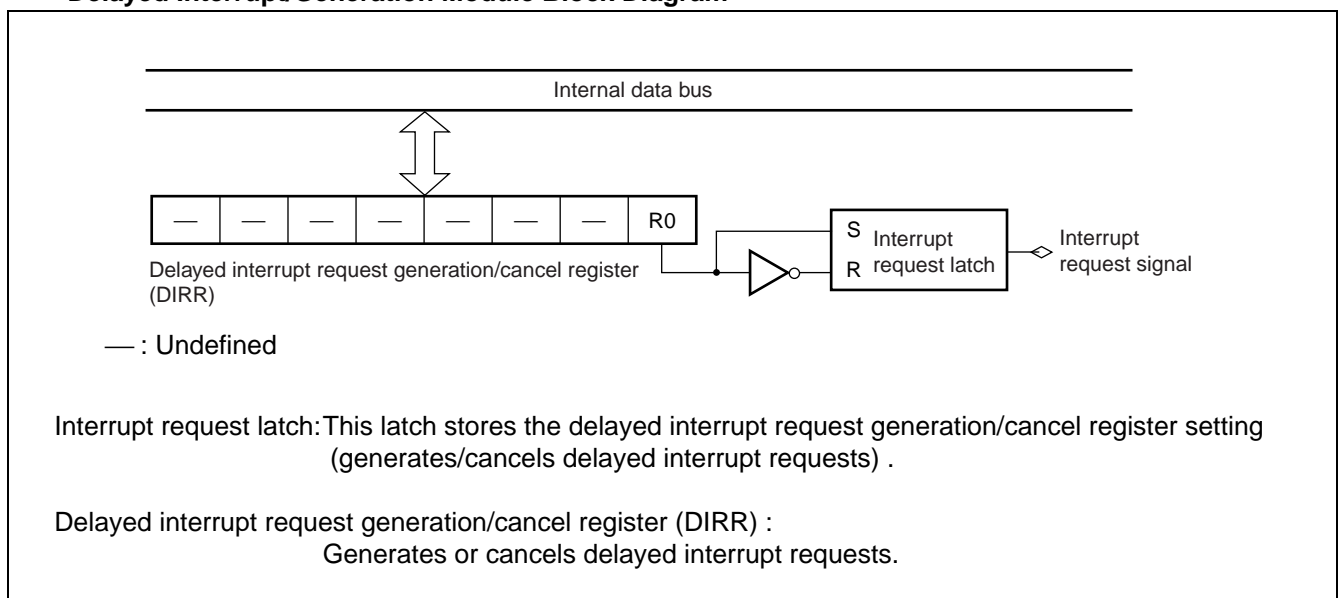
- **Overview of the Delayed Interrupt Generation Module**

Use the delayed interrupt generation module to generate or cancel hardware interrupts from the software.

Overview of the Delayed Interrupt Generation Module

	Functions and Control
Interrupt Condition	When the R0 bit of the delayed interrupt request generation/cancel register is set to 1 (DIRR : R0 = 1) : Generate interrupt request When the R0 bit of the delayed interrupt request generation/cancel register is set to 0 (DIRR : R0 = 0) : Cancel interrupt request
Interrupt number	#42 (2A _H)
Interrupt control	There is no enable setting from the register
Interrupt flag	Stored in bit DIRR : R0
EI ² OS	Does not support extended intelligent I/O service

- **Delayed Interrupt/Generation Module Block Diagram**



- **Interrupt number**

Below is the interrupt number used by the delayed interrupt generation module.

Interrupt number : #42 (2A_H)

MB90495G Series

9. DTP/External Interrupts

The DTP/external interrupt transmits interrupt requests or data transfer requests generated by peripheral devices to the CPU, generates external interrupt request, and starts the extended intelligent I/O service (EI²OS) .

• DTP/External Interrupt Functions

Outputs interrupt requests from external peripheral devices to the CPU using the same procedure as for peripheral functions, and generates external interrupts, or starts the extended intelligent I/O service (EI²OS) .

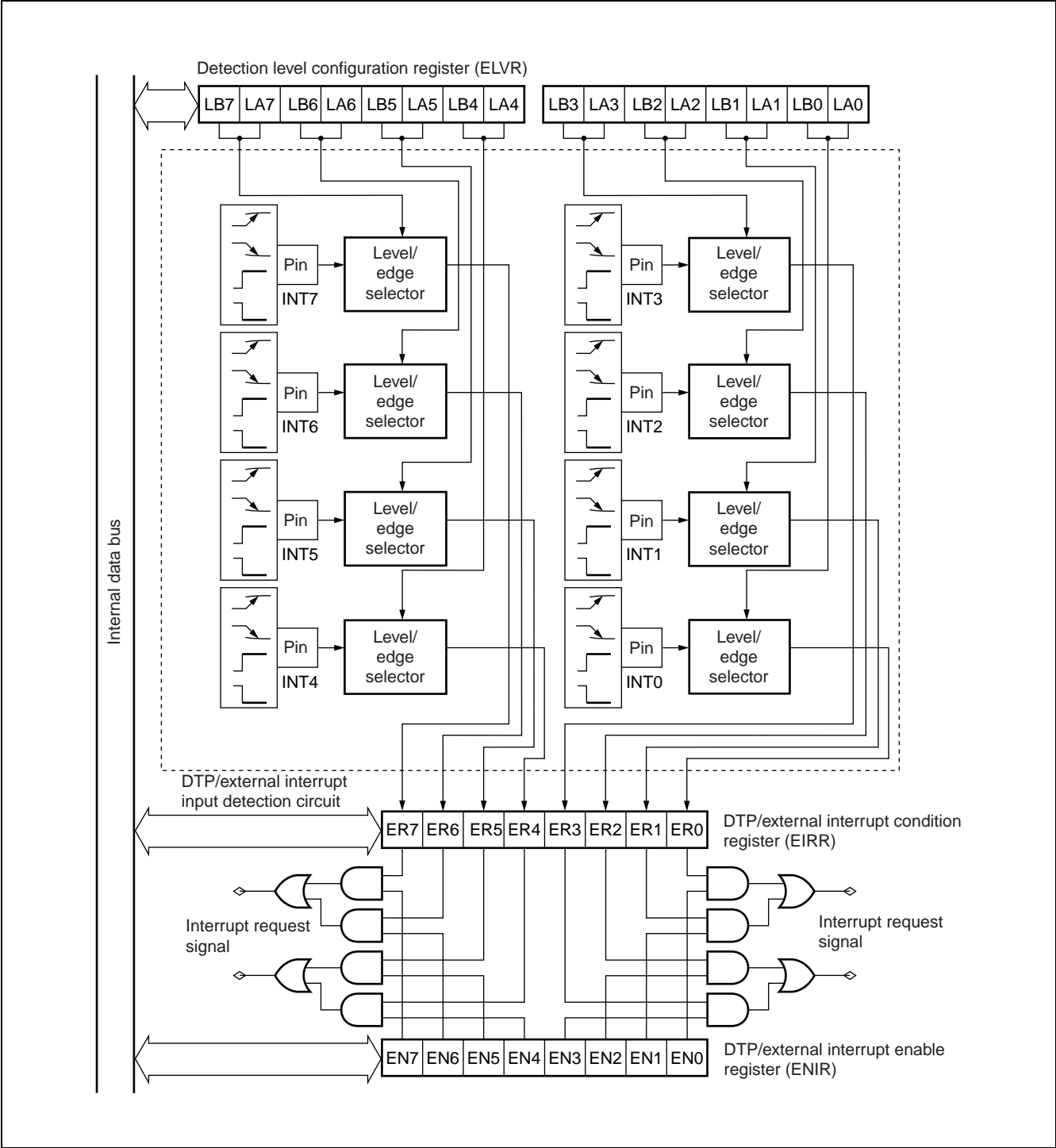
If the interrupt control register is configured to prohibit the extended intelligent I/O service (EI²OS) (ICR : ISE = 0) , then the external interrupt feature becomes valid, and the process branches into interrupt processing.

If the EI²OS is enabled (ICR : ISE = 1) , then the DTP function becomes valid, and the EI²OS automatically transmits data, and after transmitting data a specified number of times, branches into interrupt processing.

Overview of DTP/External Interrupts

	External interrupt	DTP functions
Input pins	8 (INT0 to INT7)	
Interrupt condition	Each pin sets individually in the detection level configuration register (ELVR)	
	"H" / "L" level/rising edge/falling edge input	"H" / "L" level input
Interrupt numbers	#15 (0FH) , #20 (14H) , #24 (18H) , #27 (1BH)	
Interrupt control	The DTP/external interrupt enable register (ENIR) enables or prohibits interrupt request output	
Interrupt flag	Interrupt conditions stored by DTP/external interrupt condition register (EIRR)	
Process selection	Set EI ² OS to be prohibited (ICR : ISE = 0)	Set EI ² OS to be enabled (ICR : ISE = 1)
Processing	Branch to external interrupt process	After the EI ² OS conducts automatic data forwarding the specified number of times, branches to interrupt processing.

• DTP/External Interrupt Block Diagram



MB90495G Series

10. 8/10-bit A/D Converter

The 8/10-bit A/D converter converts analog voltage to 8 or 10-bit digital values, by means of RC successive approximation conversion.

- The input signal can be selected from an 8-channel analog input pin set.
- Select a software trigger, internal timer output, or external trigger as the start trigger.

• Functions of the 8/10-bit A/D Converter

Converts analog voltage (input voltage) input to the analog input pins to 8-bit or 10-bit digital values. (A/D conversion)

The 8/10-bit A/D converter has the following features :

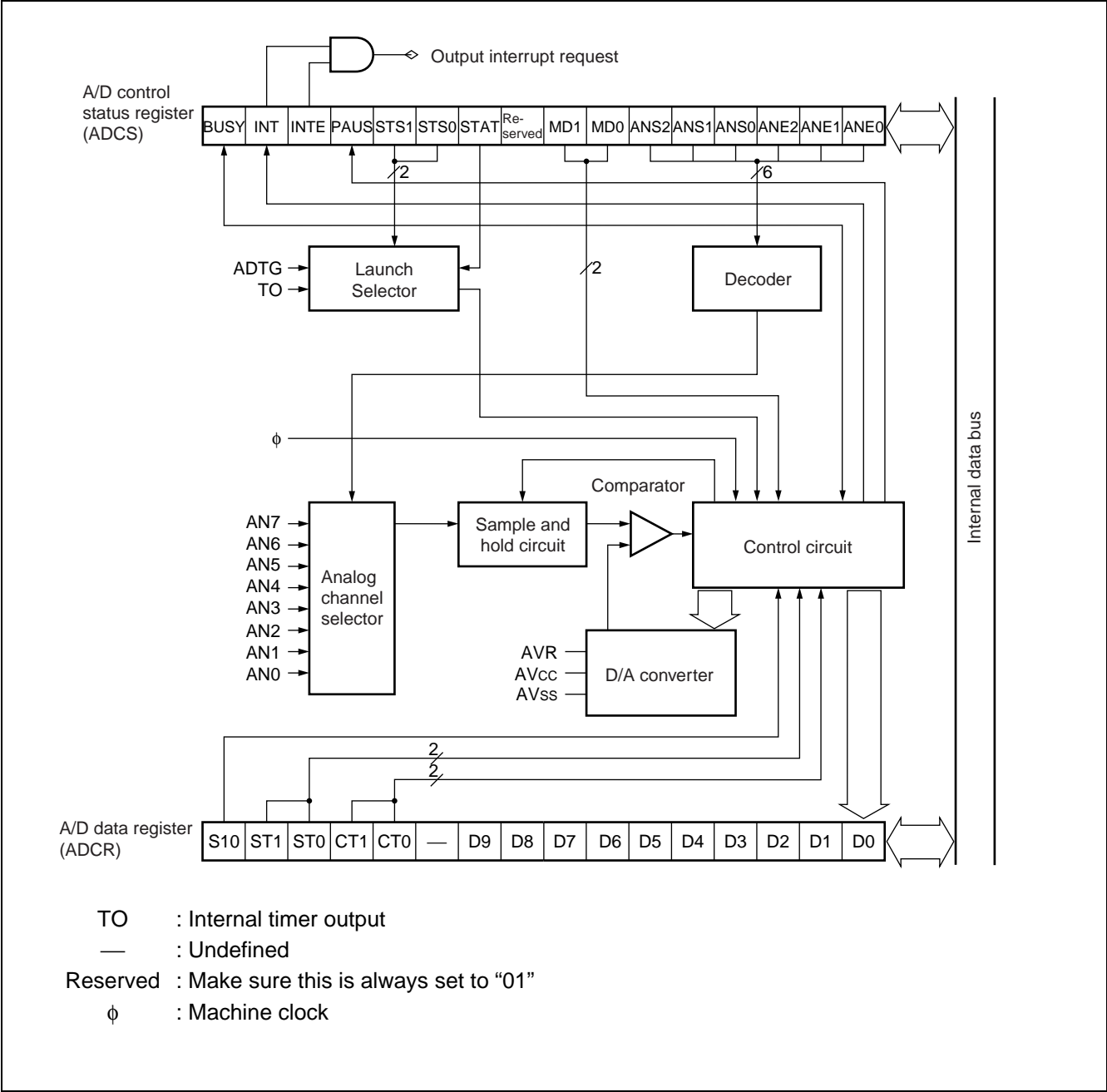
- Single-channel A/D conversion time is a minimum of 6.12 μ s, including sampling time.*
- Single-channel sampling time is a minimum of 2.0 μ s.*
- RC-type successive approximation with sampling and hold circuits is used for conversion.
- Select 8 or 10-bit resolution.
- Analog input pins can use up to 8 channels.
- A/D conversion results are stored in the A/D data register, allowing them to be used to generate interrupts.
- Interrupt requests launch the EI²OS. Use the EI²OS to prevent dropped data even with continuous A/D conversion.
- Select software, internal timer output, or external trigger (falling edge) as the start trigger.

* : With machine clock operating at 16 MHz

• Conversion Modes of the 8/10-bit A/D Converter

Conversion Mode	Description
Single conversion mode	Conducts A/D conversion for each channel in turn, from the start channel to the end channel. When A/D conversion of the end channel is completed, the A/D conversion function halts.
Continuous conversion mode	Conducts A/D conversion for each channel in turn, from the start channel to the end channel. When A/D conversion of the end channel is completed, the function returns to the start channel and continues A/D conversion.
Stop conversion mode	Suspends each channel and conducts A/D conversion, one at a time. When A/D conversion of the end channel is completed, the function returns to the start channel and repeats the A/D conversion and channel stop.

• 8/10-bit A/D Converter Block Diagram



MB90495G Series

11. UART0/1

The UART is a general-purpose serial data communications interface for synchronous or asynchronous communication with external devices.

- The UART has a clock-synchronous/clock-asynchronous two-way communications feature .
- Also supplies a master/slave communications feature (multi-processor mode) . (It can be used only master side.)
- Interrupts can be generated upon send complete, receive complete, or reception error detection.
- Supports extended intelligent I/O service (EI²OS) .

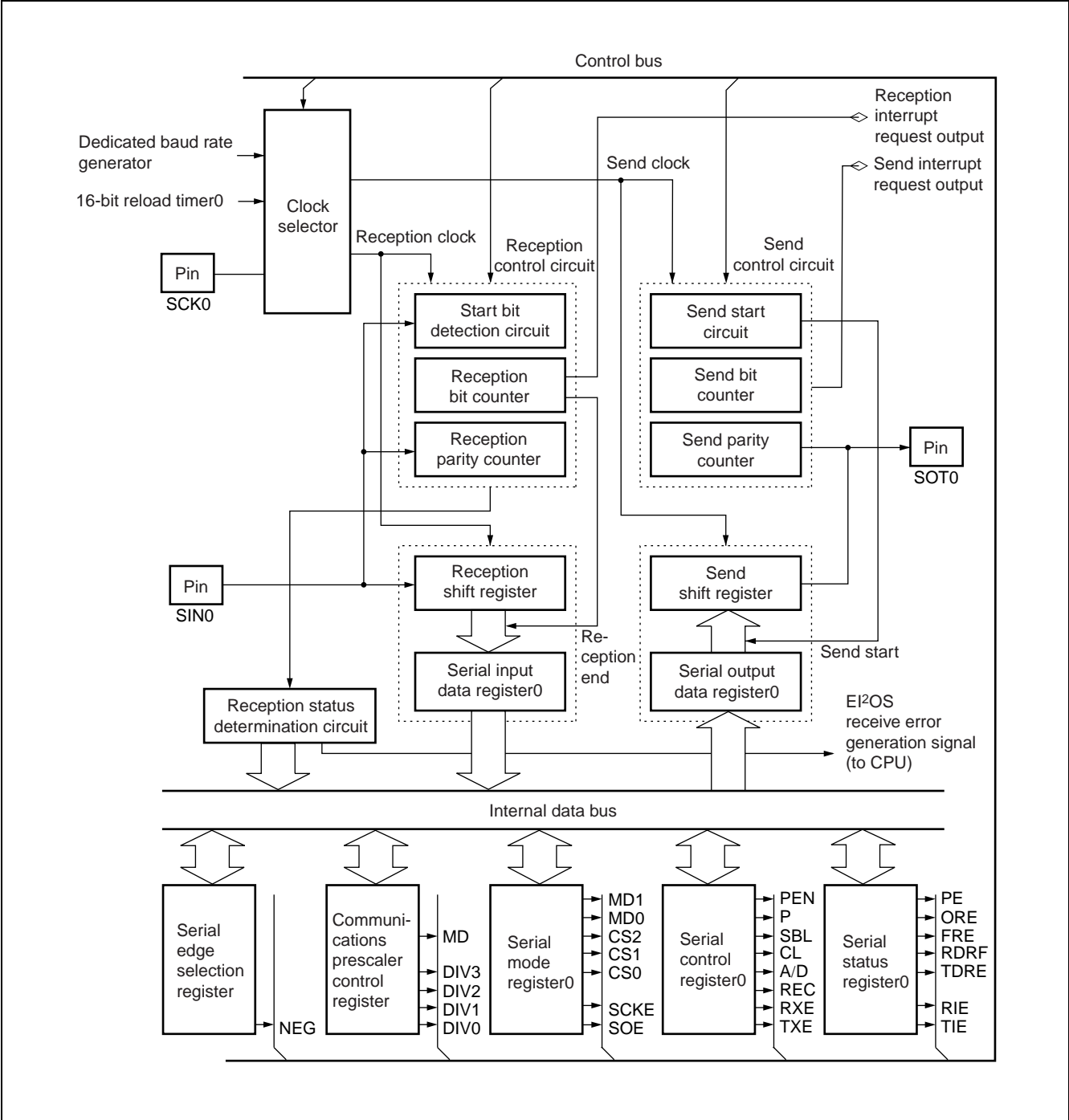
• UART0/1 Functions

	Functions
Data Buffer	Full-duplex double buffer
Transfer mode	<ul style="list-style-type: none"> • Clock-synchronous (no start, stop, or parity bit) • Clock-asynchronous (start-stop synchronization)
Baud Rate	<ul style="list-style-type: none"> • Select from 8 dedicated baud rate generators • External clock input possible • Clock supplied from internal timer (16-bit reload timer) available
Data length	<ul style="list-style-type: none"> • 7-bit (asynchronous normal mode only) • 8-bit
Signal method	Non Return to Zero (NRZ)
Reception Error Detection	<ul style="list-style-type: none"> • Framing error • Overrun error • Parity error (not available in operation mode 1 (multi processor mode))
Interrupt Requests	<ul style="list-style-type: none"> • Receive interrupt (reception complete, reception error detected) • Send interrupt (send complete) • Both send and receive support extended intelligent I/O service (EI²OS)
Master/Slave Communications Function (In multiprocessor mode)	1-to-n (master to slave) communication available (can only be used as master)

Note : During clock-synchronous forwarding, just the data is forwarded, with no stop or start bit appended.

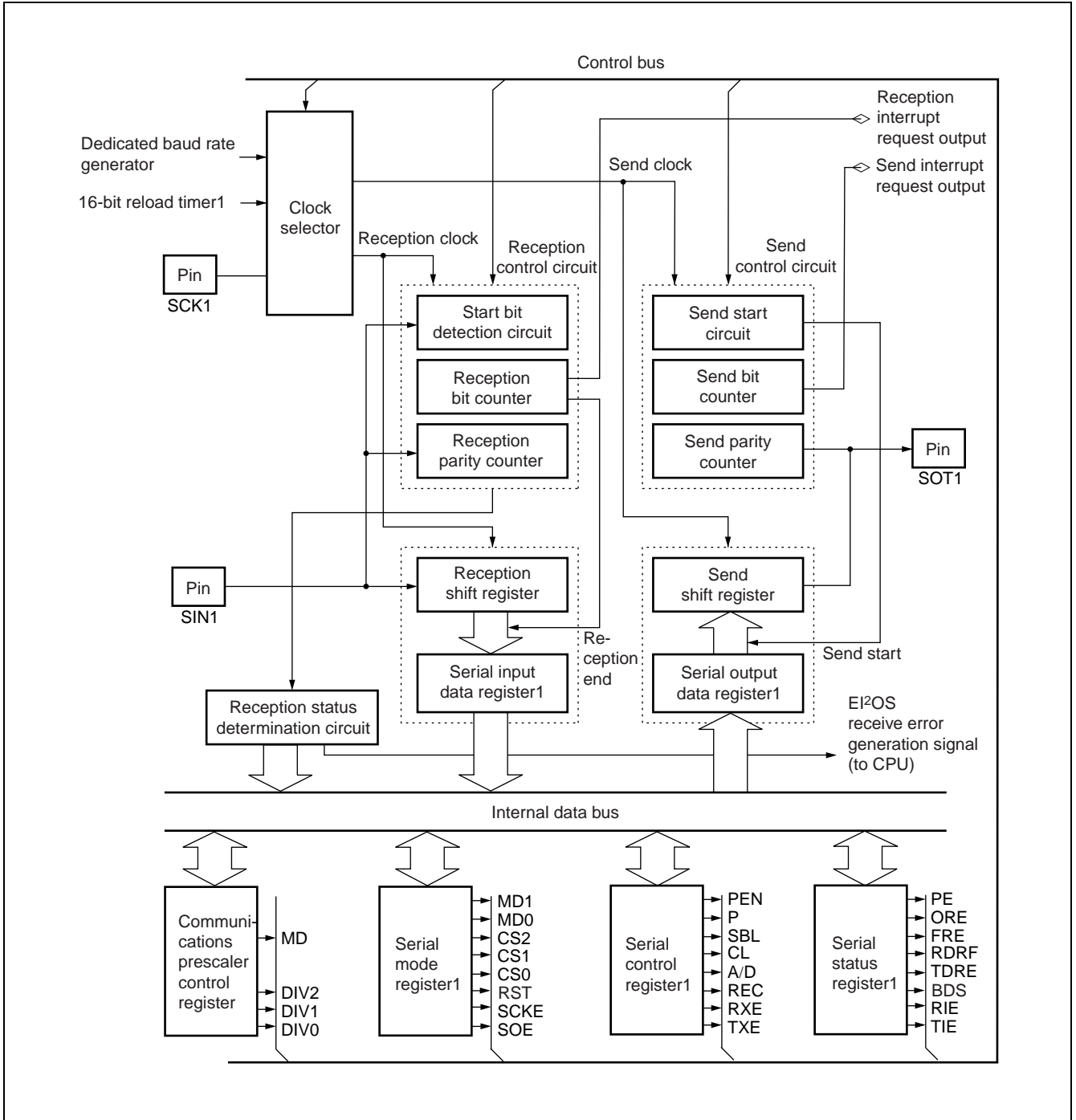
MB90495G Series

• UART0 Block Diagram



MB90495G Series

• UART1 Block Diagram



12. CAN Controller

CAN (Controller Area Network) is a serial communications protocol conforming to CAN version 2.0 A and B. Sending and receiving is available in standard and extended frame format.

• Can Controller Features

- The CAN controller format conforms to CAN versions 2.0 A and B.
- Sending and receiving is available in standard and extended frame format.
- Supports automatic data frame formatting through remote frame reception.
- Baud rate : 10 kbps to 1 Mbps. When using at 1 Mbps, the machine clock must be operated at 8 MHz or more.

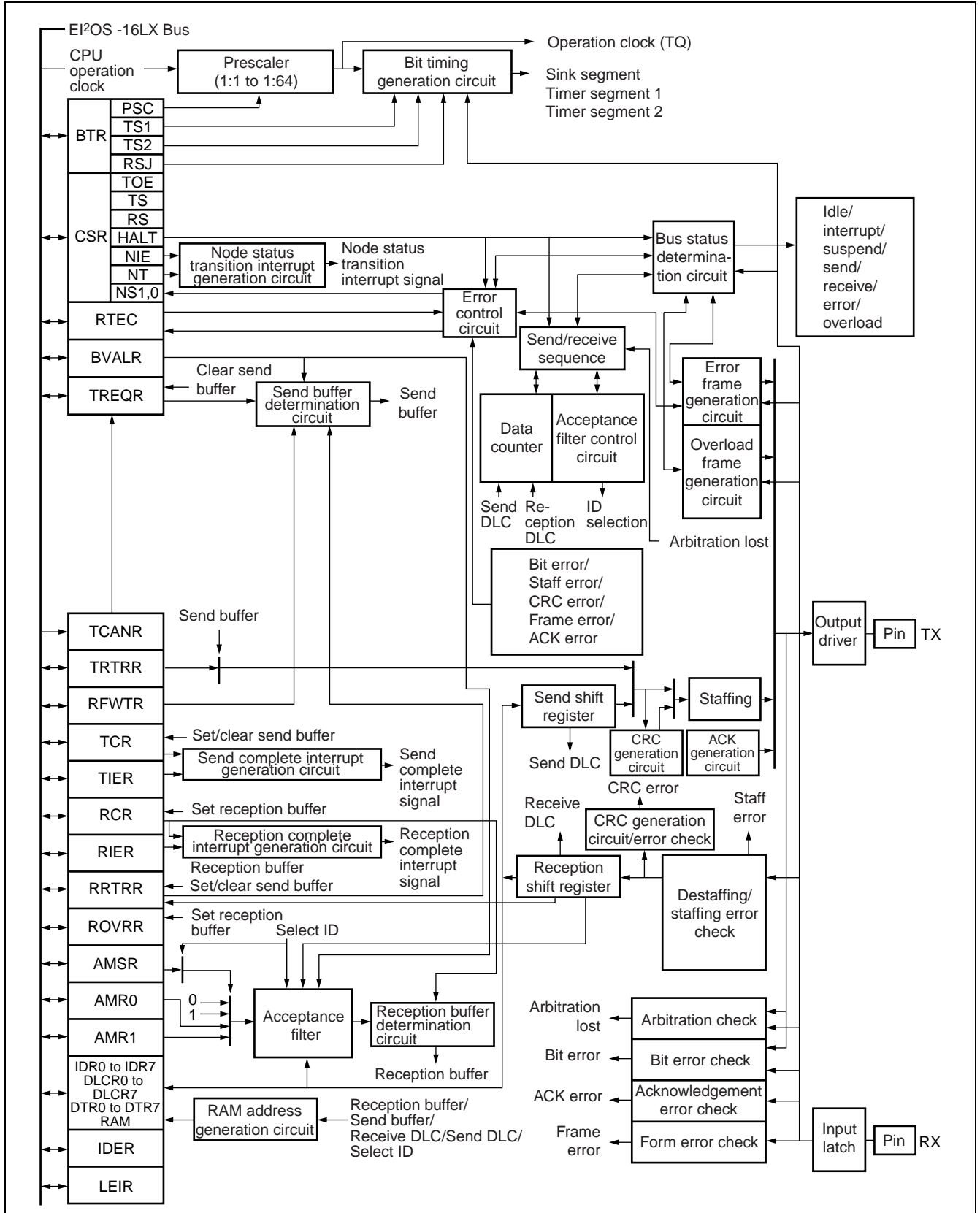
Data Transmission Baud Rates

Machine clock	Baud rate (Max)
16 MHz	1 Mbps
12 MHz	1 Mbps
8 MHz	1 Mbps
4 MHz	500 kbps
2 MHz	250 kbps

- Supplies 8 send/receive message buffers.
- Sending and receiving available in standard frame format (ID 11-bit) , and extended frame format (ID 29-bit) .
- Message data can be set to 0 to 8 bytes.
- Possible to configure a multi-level message buffer.
- The CAN controller has two built-in acceptance masks, each of which can be set to a different mask for reception message IDs.
- The two acceptance masks can receive in standard or extended frame format.
- Configure four types of partial masks with full-bit compare, full-bit mask, and acceptance mask register 0/1.

MB90495G Series

• CAN Controller Block Diagram



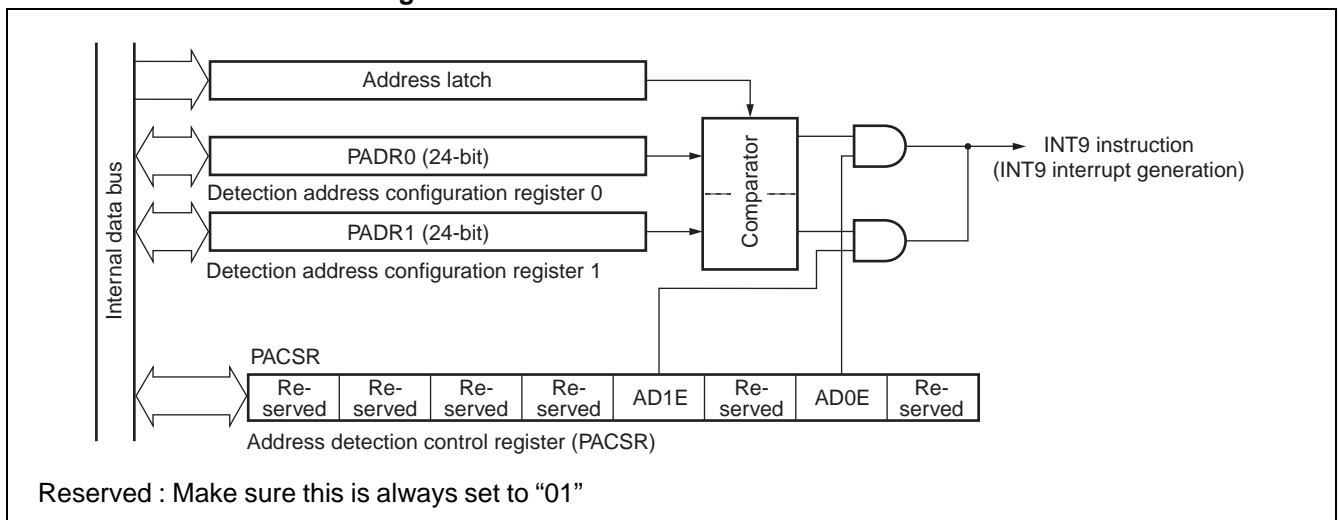
13. ROM Correction Function

In the case that the address of the instruction after the one that a program is currently processing matches the address configured in the detection address configuration register, the program forces the next instruction to be processed into an INT9 instruction, and branches to the interrupt process program. Since processing can be conducted using INT9 interrupts, programs can be repaired using batch processing.

- **Overview of the ROM Correction Function**

- The address of the instruction after the one that a program is currently processing is always stored in an address latch via the internal data bus. ROM correction constantly compares the address stored in the address latch with the one configured in the detection address configuration register. If the two compared addresses match, the CPU forcibly changes this instruction into an INT9 instruction, and executes an interrupt processing program.
- There are two detection address configuration registers : PADR0 and PADR1. Each register provides an interrupt enable bit. This allows you to individually configure each register to enable/prohibit the generation of interrupts when the address stored in the address latch matches the one configured in the detection address configuration register.

- **ROM Correction Block Diagram**



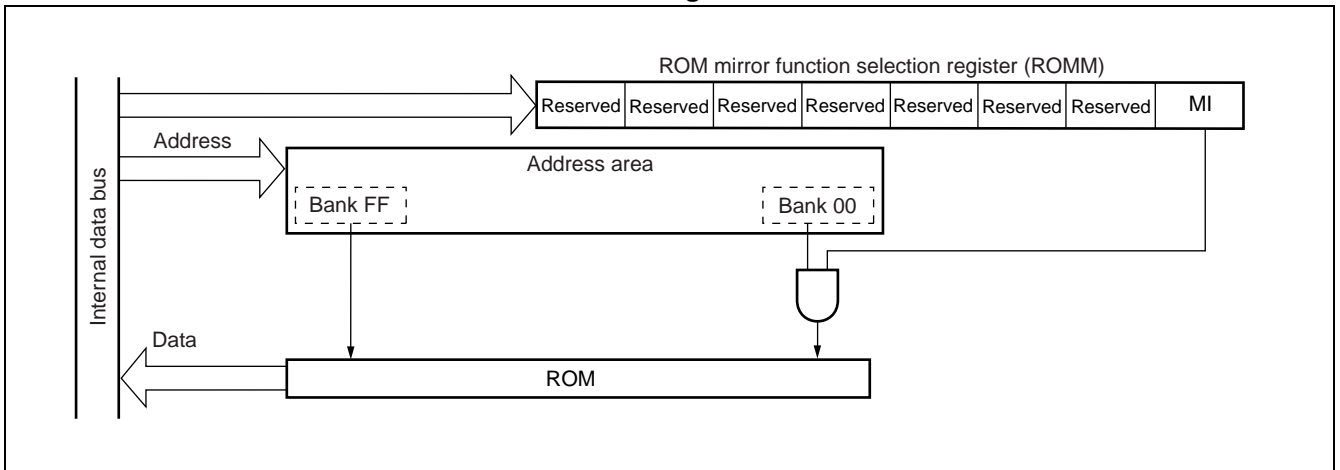
- Address latch
Stores value of address output to internal data bus.
- Address detection control register (PACSR)
Set this register to enable/prohibit interrupt output when an address match is detected.
- Detection address configuration register (PADR0, PADR1)
Configure an address with which to compare the address latch value.

MB90495G Series

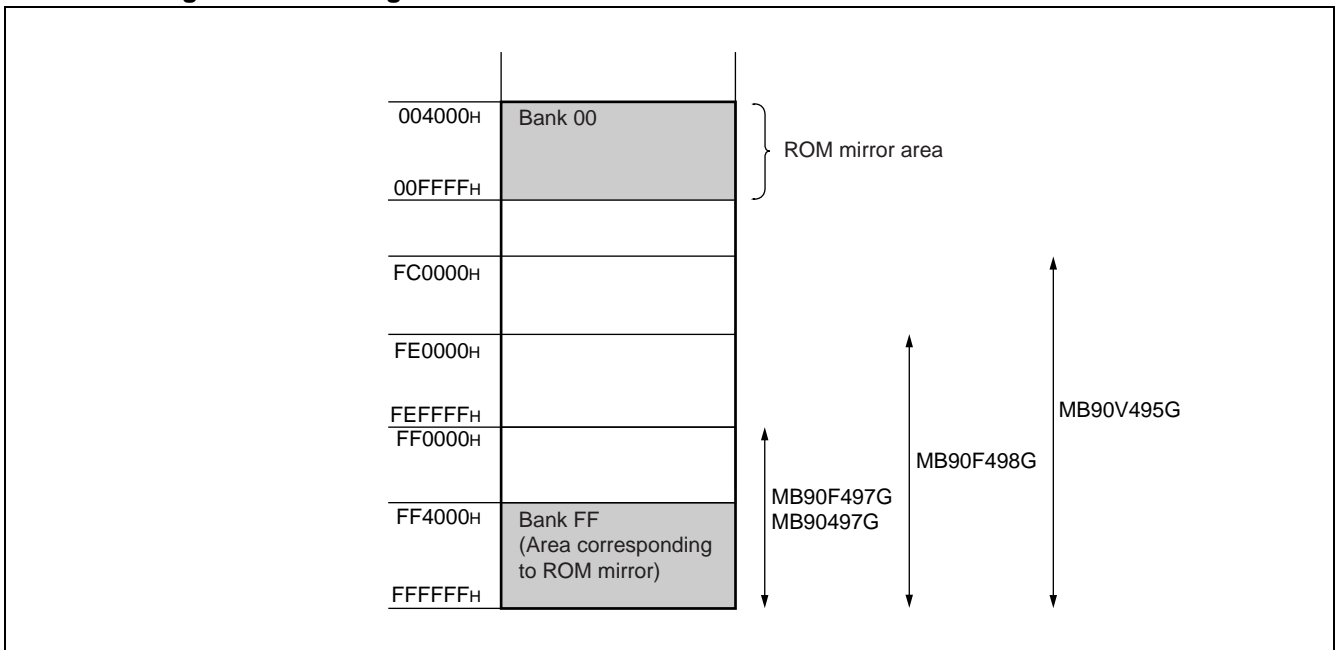
14. ROM Mirror Function Selection Module

The ROM mirror function selection module configures ROM-internal data arrayed inside bank FF to be readable by accessing bank 00.

• ROM Mirror Function Selection Module Block Diagram



• Accessing Bank FF through ROM Mirror Function



15. 512-K/1-M bit Flash Memory

• Overview

There are three methods available for writing/deleting data to/from flash memory :

1. Parallel writer
2. Serial dedicated writer
3. Program runtime write/delete

• Overview of 512-K/1-M bit flash memory

512-Kbit flash memory is arrayed in bank FF_H on the CPU memory map, 1-Mbit flash memory is arrayed in bank FE_H to FF_H on the CPU memory map. The flash memory interface circuit provides read and program access from the CPU.

Since instructions from the CPU are carried out via the flash memory interface circuit, flash memory can be overwritten at the implementation level. This allows you to efficiently improve programs and data.

• Features of 512-K/1-M bit Flash Memory

- 512-Kbit flash memory : 64 KWords × 8-bit/32 KWords × 16-bit (16-Kbyte + 8-Kbyte + 8-Kbyte + 32-Kbyte) sector architecture
- 1-Mbit flash memory : 128 KWords × 8-bit/64 KWords × 16-bit (16-Kbyte + 8-Kbyte + 8-Kbyte + 32-Kbyte + 64-Kbyte) sector architecture
- Auto program algorithm (Embedded Algorithm : same as MBM29LV200)
- On-chip delete suspend/delete resume functions
- Data polling, write/delete completion detection through toggle bit
- Write/delete completion detection from CPU overwrite
- Sector-specific deletion available (sectors can be combined as desired)
- Write/delete iterations (minimum) : 10,000

Notes : There is no function to read the manufacture or device code.
These codes also cannot be accessed through commands.

• Flash memory write/delete

- It is not possible to simultaneously write to and read from flash memory.
- When writing to or deleting from flash memory, first copy the program residing in flash memory into RAM, then execute the program copied into RAM. This will allow you to write to flash memory.

MB90495G Series

- List of Flash Memory Registers and Reset Values

Flash memory control status register (FMCS)	bit	7	6	5	4	3	2	1	0
		0	0	0	X	0	0	0	0

× : Undefined

- Sector Architecture of 512-K/1-M bit Flash memory

- Sector architecture

512-Kbit flash memory : When accessing from the CPU, SA0 to SA3 are arrayed in the Bank FF register.

1-Mbit flash memory : When accessing from the CPU, SA0 is arrayed in the Bank FE register, SA1 to SA4 are arrayed in the Bank FF register.

Sector Architecture of 512-K/1-M bit Flash Memory

512-Kbit Flash Memory	CPU Addresses	Writer Address*
SA0 (32 Kbytes)	FF0000H	70000H
	FF7FFFH	77FFFH
SA1 (8 Kbytes)	FF8000H	78000H
	FF9FFFH	79FFFH
SA2 (8 Kbytes)	FFA000H	7A000H
	FFBFFFH	7BFFFH
SA3 (16 Kbytes)	FFC000H	7C000H
	FFFFFFH	7FFFFH

1-Mbit Flash Memory	CPU Addresses	Writer Address*
SA0 (64 Kbytes)	FE0000H	60000H
	FEFFFFH	6FFFFH
SA1 (32 Kbytes)	FF0000H	70000H
	FF7FFFH	77FFFH
SA2 (8 Kbytes)	FF8000H	78000H
	FF9FFFH	79FFFH
SA3 (8 Kbytes)	FFA000H	7A000H
	FFBFFFH	7BFFFH
SA4 (16 Kbytes)	FFC000H	7C000H
	FFFFFFH	7FFFFH

* : If a parallel write is writing data to Flash memory, the write address corresponds to the CPU address. If a general-purpose writer is used to write/delete, this address is written to/over.

MB90495G Series

■ ELECTRICAL CHARACTERISTICS

1. Absolute Maximum Ratings

($V_{SS} = AV_{SS} = 0\text{ V}$)

Parameter	Symbol	Rating		Unit	Remarks
		Min	Max		
Power supply voltage	V_{CC}	$V_{SS} - 0.3$	$V_{SS} + 6.0$	V	
	AV_{CC}	$V_{SS} - 0.3$	$V_{SS} + 6.0$	V	$V_{CC} = AV_{CC}$ *1
	AVR	$V_{SS} - 0.3$	$V_{SS} + 6.0$	V	$AV_{CC} \geq AVR$ *1
Input voltage	V_I	$V_{SS} - 0.3$	$V_{SS} + 6.0$	V	*2
Output voltage	V_O	$V_{SS} - 0.3$	$V_{SS} + 6.0$	V	*2
Maximum clamp current	I_{CLAMP}	-2.0	+2.0	mA	*6
Total maximum clamp current	$\Sigma I_{CLAMP} $	—	20	mA	*6
"L" level maximum output current	I_{OL}	—	15	mA	*3
"L" level average output current	I_{OLAV}	—	4	mA	*4
"L" level maximum total output current	ΣI_{OL}	—	100	mA	
"L" level average total output current	ΣI_{OLAV}	—	50	mA	*5
"H" level maximum output current	I_{OH}	—	-15	mA	*3
"H" level average output current	I_{OHAV}	—	-4	mA	*4
"H" level maximum total output current	ΣI_{OH}	—	-100	mA	
"H" level average total output current	ΣI_{OHAV}	—	-50	mA	*5
Power consumption	P_D	—	315	mW	
Operating temperature	T_A	-40	+105	°C	
		-40	+125	°C	*7
Storage temperature	T_{stg}	-55	+150	°C	

*1 : AV_{CC} and AVR shall never exceed V_{CC} . Also, AVR shall never exceed AV_{CC} .

*2 : V_I and V_O shall never exceed $V_{CC} + 0.3\text{ V}$. However, if the maximum current to/from an input is limited by some means with external components, the I_{CLAMP} rating supersedes the V_I rating.

*3 : The rating for the maximum output current is the peak value of one of the corresponding pins.

*4 : The standard for computing average output current is the average current output from one of the corresponding pins over a period of 100 ms (the average value is taken by multiplying operating current by operational rate) .

*5 : The standard for computing average total output current is the average current output from all of the corresponding pins over a period of 100 ms (the average value is taken by multiplying operating current by operational rate) .

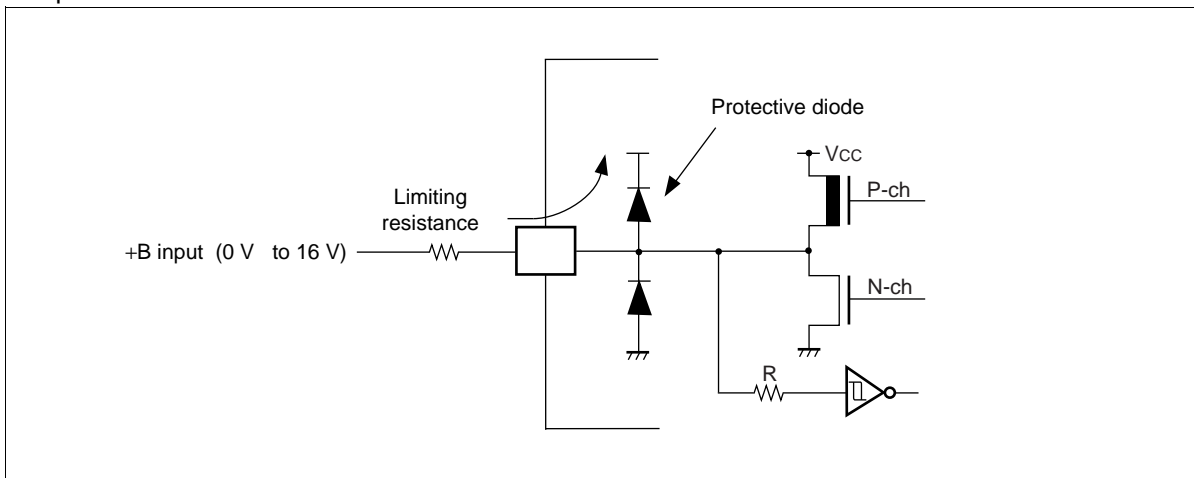
*6 : • Applicable to pins: P00 to P07, P10 to P17, P20 to P27, P30 to P37, P40 to P44, P50 to P57, P60 to P63
 • Use within recommended operating conditions.
 • Use at DC voltage (current)
 • The +B signal should always be applied a limiting resistance placed between the +B signal and the microcontroller.
 • The value of the limiting resistance should be set so that when the +B signal is applied the input current to the microcontroller pin does not exceed rated values, either instantaneously or for prolonged periods.
 • Note that when the microcontroller drive current is low, such as in the power saving modes, the +B input potential may pass through the protective diode and increase the potential at the V_{CC} pin, and this may affect other devices.

(Continued)

MB90495G Series

(Continued)

- Note that if a +B signal is input when the microcontroller power supply is off (not fixed at 0 V) , the power supply is provided from the pins, so that incomplete operation may result.
- Note that if the +B input is applied during power-on, the power supply is provided from the pins and the resulting supply voltage may not be sufficient to operate the power-on reset.
- Care must be taken not to leave the +B input pin open.
- Note that analog system input/output pins other than the A/D input pins (LCD drive pins, comparator input pins, etc.) cannot accept +B signal input.
- Sample recommended circuits:



*7 : If used exceeding $T_A = +105\text{ }^\circ\text{C}$, be sure to contact us for reliability limitations.

WARNING: Semiconductor devices can be permanently damaged by application of stress (voltage, current, temperature, etc.) in excess of absolute maximum ratings. Do not exceed these ratings.

MB90495G Series

2. Recommended Operating Conditions

($V_{SS} = AV_{SS} = 0.0$ V)

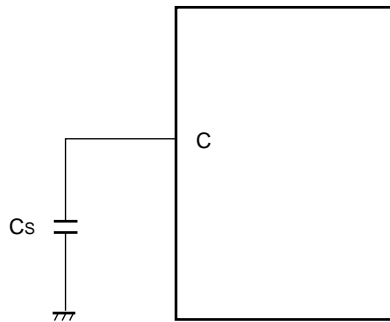
Parameter	Symbol	Value			Unit	Remarks
		Min	Typ	Max		
Power supply voltage	V_{CC} , AV_{CC}	4.5	5.0	5.5	V	During normal operation, $T_A = -40$ °C to $+105$ °C
		4.75	5.0	5.25	V	During normal operation, $+105$ °C $< T_A \leq +125$ °C
		3.0	—	5.5	V	Maintaining stop operation state
Smoothing capacitor	C_S	0.022	0.1	1.0	μ F	*1
Operating temperature	T_A	-40	—	+105	°C	
		-40	—	+125	°C	*2

*1 : Use a ceramic capacitor, or one with approximately the same frequency characteristics. The bypass capacitor of the V_{CC} pin should have a greater capacity than C_S .

See the figure below for details about connecting a smooth capacitor to the C_S .

*2 : If used exceeding $T_A = +105$ °C, be sure to contact us for reliability limitations.

• C Pin Connection Diagram



WARNING: The recommended operating conditions are required in order to ensure the normal operation of the semiconductor device. All of the device's electrical characteristics are warranted when the device is operated within these ranges.

Always use semiconductor devices within their recommended operating condition ranges.

Operation outside these ranges may adversely affect reliability and could result in device failure.

No warranty is made with respect to uses, operating conditions, or combinations not represented on the data sheet. Users considering application outside the listed conditions are advised to contact their representatives beforehand.

MB90495G Series

3. DC Characteristics

($V_{CC} = 5.0 \text{ V} \pm 5\%$, $V_{SS} = AV_{SS} = 0.0 \text{ V}$, $T_A = -40 \text{ }^\circ\text{C}$ to $+125 \text{ }^\circ\text{C}$)
 ($V_{CC} = 5.0 \text{ V} \pm 10\%$, $V_{SS} = AV_{SS} = 0.0 \text{ V}$, $T_A = -40 \text{ }^\circ\text{C}$ to $+105 \text{ }^\circ\text{C}$)

Parameter	Symbol	Pin Name	Condition	Value			Unit	Remarks
				Min	Typ	Max		
“H” level input voltage	V_{IHS}	CMOS hysteresis input pin	—	$0.8 V_{CC}$	—	$V_{CC} + 0.3$	V	
	V_{IHM}	MD input pin	—	$V_{CC} - 0.3$	—	$V_{CC} + 0.3$	V	
“L” level input voltage	V_{ILS}	CMOS hysteresis input pin	—	$V_{SS} - 0.3$	—	$0.2 V_{CC}$	V	
	V_{ILM}	MD input pin	—	$V_{SS} - 0.3$	—	$V_{SS} + 0.3$	V	
“H” level output voltage	V_{OH}	All output pins	$V_{CC} = 4.5 \text{ V}$, $I_{OH} = -4.0 \text{ mA}$	$V_{CC} - 0.5$	—	—	V	$T_A = -40 \text{ }^\circ\text{C}$ to $+105 \text{ }^\circ\text{C}$
			$V_{CC} = 4.75 \text{ V}$	$V_{CC} - 0.5$	—	—	V	$+105 \text{ }^\circ\text{C} < T_A \leq +125 \text{ }^\circ\text{C}$
“L” level output voltage	V_{OL}	All output pins	$V_{CC} = 4.5 \text{ V}$, $I_{OL} = 4.0 \text{ mA}$	—	—	0.4	V	$T_A = -40 \text{ }^\circ\text{C}$ to $+105 \text{ }^\circ\text{C}$
			$V_{CC} = 4.75 \text{ V}$	—	—	0.4	V	$+105 \text{ }^\circ\text{C} < T_A \leq +125 \text{ }^\circ\text{C}$
Input leakage current	I_{IL}	All output pins	$V_{CC} = 5.5 \text{ V}$, $V_{SS} < V_I < V_{CC}$	-5	—	+5	μA	$T_A = -40 \text{ }^\circ\text{C}$ to $+105 \text{ }^\circ\text{C}$
			$V_{CC} = 5.25 \text{ V}$, $V_{SS} < V_I < V_{CC}$	-5	—	+5	μA	$+105 \text{ }^\circ\text{C} < T_A \leq +125 \text{ }^\circ\text{C}$
Power supply current*	I_{CC}	V_{CC}	$V_{CC} = 5.0 \text{ V}$ Internal 16-MHz operation, Normal mode	—	30	40	mA	MB90497G MB90F497G MB90F498G
			$V_{CC} = 5.0 \text{ V}$ Internal 16-MHz operation, Flash memory write mode	—	45	50	mA	MB90F497G MB90F498G
			$V_{CC} = 5.0 \text{ V}$ Internal 16-MHz operation, Flash memory delete mode	—	45	50	mA	MB90F497G MB90F498G
	I_{CCS}	$V_{CC} = 5.0 \text{ V}$ Internal 16-MHz operation, Sleep mode	—	11	18	mA	MB90497G MB90F497G MB90F498G	

(Continued)

MB90495G Series

(Continued)

($V_{CC} = 5.0 \text{ V} \pm 5\%$, $V_{SS} = AV_{SS} = 0.0 \text{ V}$, $T_A = -40 \text{ }^\circ\text{C}$ to $+125 \text{ }^\circ\text{C}$)
 ($V_{CC} = 5.0 \text{ V} \pm 10\%$, $V_{SS} = AV_{SS} = 0.0 \text{ V}$, $T_A = -40 \text{ }^\circ\text{C}$ to $+105 \text{ }^\circ\text{C}$)

Parameter	Symbol	Pin Name	Condition	Value			Unit	Remarks
				Min	Typ	Max		
Power supply current*	I _{CTS}	V _{CC}	V _{CC} = 5.0 V Internal 2-MHz operation, Timer mode	—	0.6	1.2	mA	MB90497G MB90F497G MB90F498G
	I _{CCL}		V _{CC} = 5.0 V Internal 8-kHz operation, Subclock operation mode T _A = +25 °C	—	30	50	μA	MB90497G
			V _{CC} = 5.0 V Internal 8-kHz operation, Subclock sleep mode T _A = +25 °C	—	300	500	μA	MB90F497G MB90F498G
	I _{CCLS}		V _{CC} = 5.0 V Internal 8-kHz operation, Subclock sleep mode T _A = +25 °C	—	10	30	μA	MB90497G MB90F497G MB90F498G
	I _{CCT}		V _{CC} = 5.0 V Internal 8-kHz operation, Clock mode T _A = +25 °C	—	8	25	μA	MB90497G MB90F497G MB90F498G
Power supply current*	I _{CCH}	V _{CC}	V _{CC} = 5.0 V Stop mode, T _A = +25 °C	—	5	20	μA	MB90497G MB90F497G MB90F498G
Input Capacity	C _{IN}	Other than AV _{CC} , AV _{SS} , AVR, C, V _{CC} , or V _{SS}	—	—	5	15	pF	
Pull up Resistor	R _{UP}	$\overline{\text{RST}}$	—	25	50	100	kΩ	
Pull down Resistor	R _{DOWN}	MD2	—	25	50	100	kΩ	

* : This is when using the external clock as the power supply current test condition.

MB90495G Series

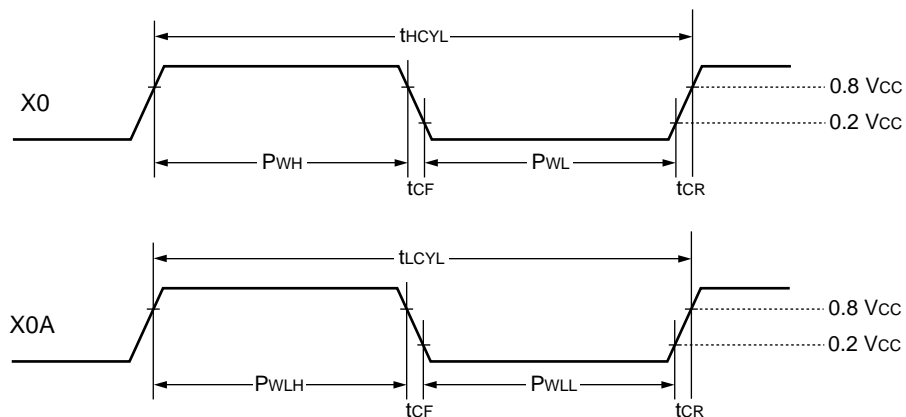
4. AC Characteristics

(1) Clock Timing

($V_{CC} = 5.0 \text{ V} \pm 5\%$, $V_{SS} = AV_{SS} = 0.0 \text{ V}$, $T_A = -40 \text{ }^\circ\text{C}$ to $+125 \text{ }^\circ\text{C}$)
 ($V_{CC} = 5.0 \text{ V} \pm 10\%$, $V_{SS} = AV_{SS} = 0.0 \text{ V}$, $T_A = -40 \text{ }^\circ\text{C}$ to $+105 \text{ }^\circ\text{C}$)

Parameter	Symbol	Pin Name	Value			Unit	Remarks
			Min	Typ	Max		
Clock frequency	f_c	X0, X1	3	—	16	MHz	
	f_{CL}	X0A, X1A	—	32.768	—	kHz	
Clock Cycle Time	t_{HCYL}	X0, X1	62.5	—	333	ns	
	t_{LCYL}	X0A, X1A	—	30.5	—	μs	
Input clock pulse width	P_{WH}, P_{WL}	X0	10	—	—	ns	Duty ratio should be around 30 % to 70 %
	P_{WLH}, P_{WLL}	X0A	—	15.2	—	μs	
Input clock rising/falling time	t_{CR}, t_{CF}	X0	—	—	5	ns	When external clock used
Internal operation clock frequency	f_{CP}	—	1.5	—	16	MHz	When oscillation circuit used
	f_{LCP}	—	—	8.192	—	kHz	When subclock used
Internal operation clock cycle time	t_{CP}	—	62.5	—	666	ns	When using oscillation circuit
	t_{LCP}	—	—	122.1	—	μs	When subclock used

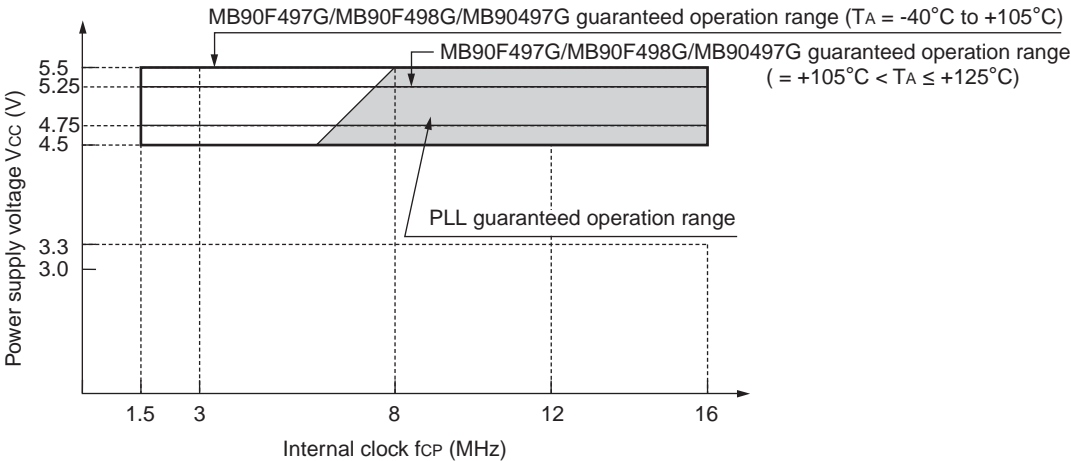
• X0/X1 Clock Timing



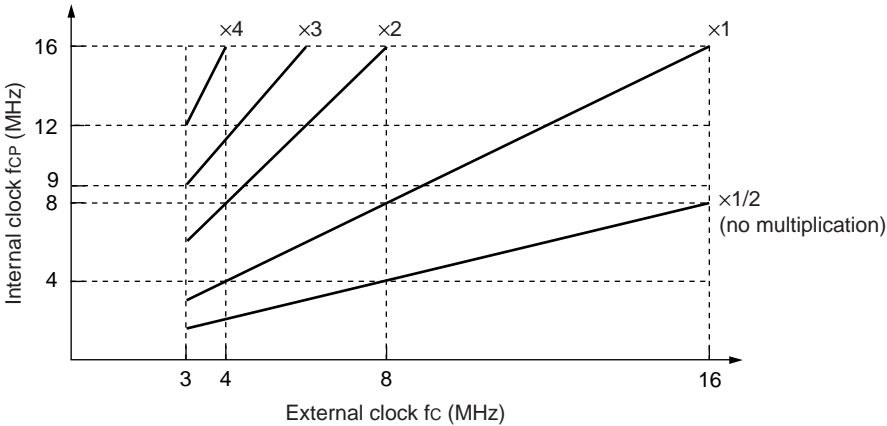
MB90495G Series

- PLL guaranteed operation range

Relationship between internal operating clock frequency and power supply voltage



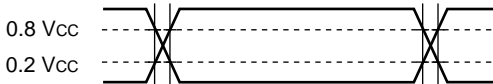
Relationship between external clock frequency and internal operation clock frequency



AC characteristics are specified by the following reference voltage values.

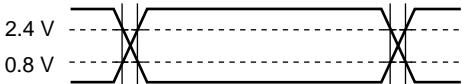
- Input Signal Waveform

Hysteresis Input Pin



- Output Signal Waveform

Output Pin

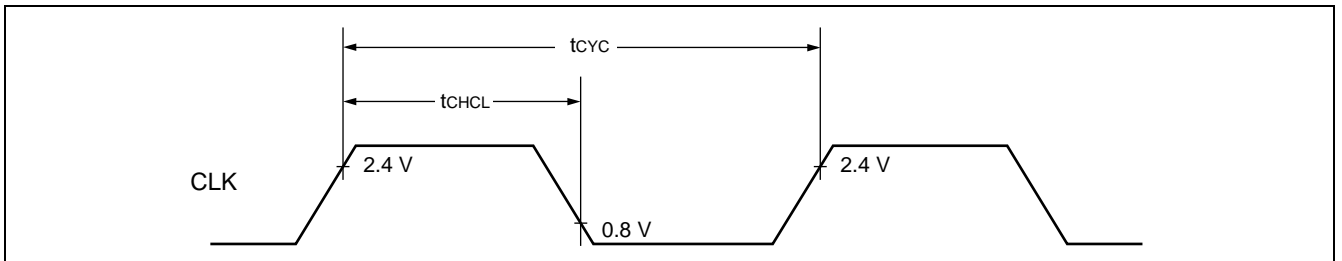


MB90495G Series

(2) Clock Output Timing

($V_{CC} = 5.0 \text{ V} \pm 5\%$, $V_{SS} = AV_{SS} = 0.0 \text{ V}$, $T_A = -40 \text{ }^\circ\text{C}$ to $+125 \text{ }^\circ\text{C}$)
 ($V_{CC} = 5.0 \text{ V} \pm 10\%$, $V_{SS} = AV_{SS} = 0.0 \text{ V}$, $T_A = -40 \text{ }^\circ\text{C}$ to $+105 \text{ }^\circ\text{C}$)

Parameter	Symbol	Pin Name	Condition	Value		Unit	Remarks
				Min	Max		
Cycle time	t_{CYC}	CLK	—	62.5	—	ns	
CLK $\uparrow \rightarrow$ CLK \downarrow	t_{CHCL}			20	—		

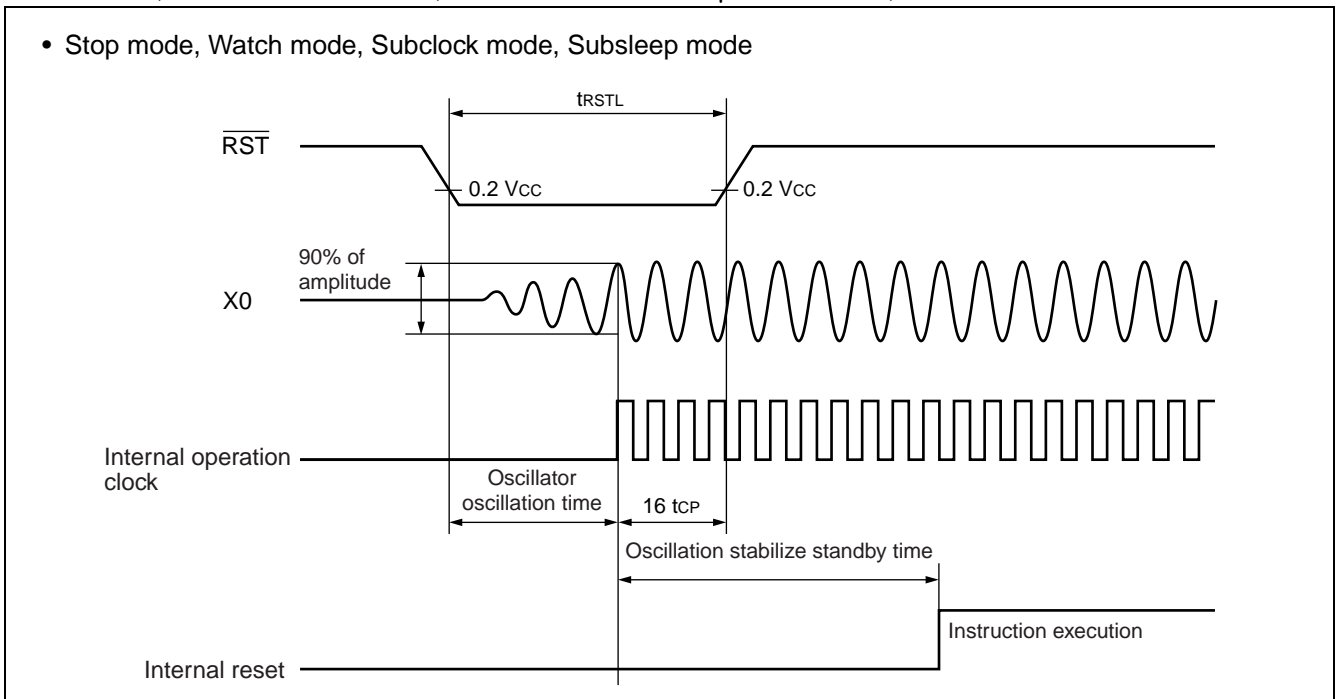


(3) Reset Input Timing

Parameter	Symbol	Pin Name	Condition	Value		Unit	Remarks
				Min	Max		
Reset input time	t_{RSTL}	$\overline{\text{RST}}$	—	$16 t_{CP}$	—	ns	Normal mode
				Oscillator oscillation time* + $16 t_{CP}$	—		ms

* : Oscillator oscillation time is the time to reach 90% amplitude. For a crystal oscillator, this is a few to several dozen ms; for a ceramic oscillator, this is several hundred μs to a few ms, and for an external clock this is 0 ms.

- Stop mode, Watch mode, Subclock mode, Subsleep mode

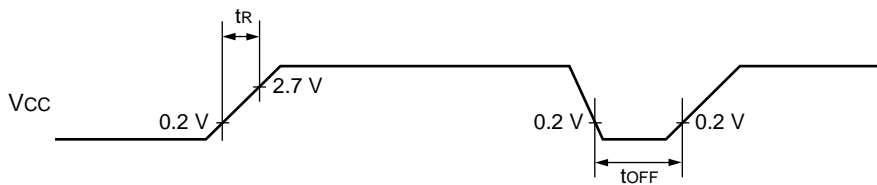


MB90495G Series

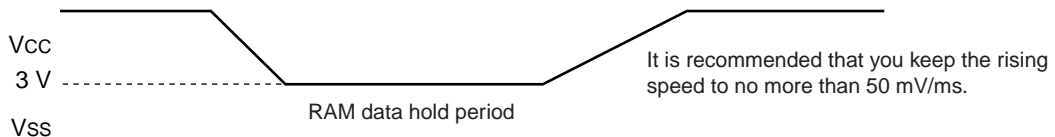
(4) Power-on Reset

($V_{CC} = 5.0 \text{ V} \pm 5\%$, $V_{SS} = AV_{SS} = 0.0 \text{ V}$, $T_A = -40 \text{ }^\circ\text{C}$ to $+125 \text{ }^\circ\text{C}$)
 ($V_{CC} = 5.0 \text{ V} \pm 10\%$, $V_{SS} = AV_{SS} = 0.0 \text{ V}$, $T_A = -40 \text{ }^\circ\text{C}$ to $+105 \text{ }^\circ\text{C}$)

Parameter	Symbol	Pin Name	Condition	Value		Unit	Remarks
				Min	Max		
Power supply rising time	t_R	V_{CC}	—	0.05	30	ms	
Power supply cutoff time	t_{OFF}	V_{CC}	—	1	—	ms	Due to repeated operations



Sudden changes in the power supply voltage may cause a power-on reset. To change the power supply voltage while the device is in operation, it is recommended that you raise the voltage at a steady rate, in order to suppress fluctuations (see figure below). In this case, perform this operation when the PLL clock is not being used. If, however, the voltage falling speed is no more than 1 V/s, it is permissible to perform this operation while using the PLL clock.



MB90495G Series

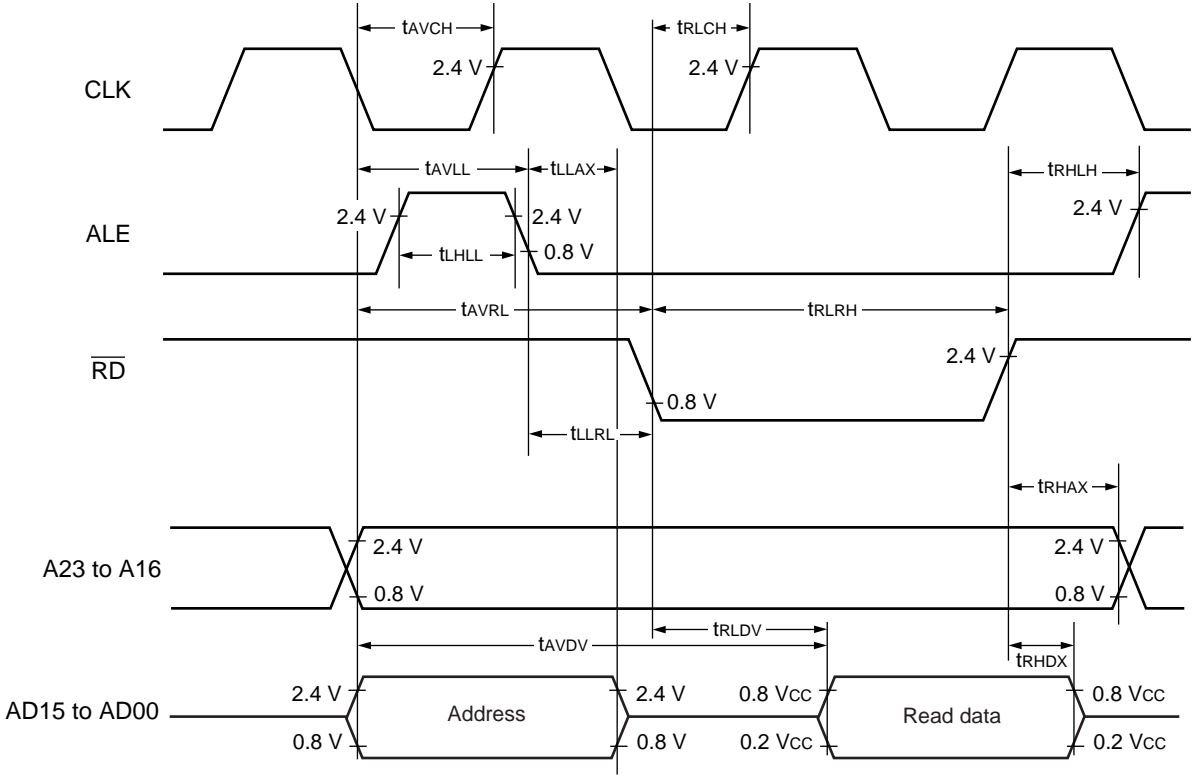
(5) Bus Read Timing

($V_{CC} = 5.0 V \pm 10\%$, $V_{SS} = 0.0 V$, $T_A = -40\text{ }^{\circ}\text{C}$ to $+105\text{ }^{\circ}\text{C}$)

Parameter	Symbol	Pin Name	Value		Unit	Remarks
			Min	Max		
ALE pulse width	t_{LHLL}	ALE	$t_{CP}/2 - 20$	—	ns	
Valid address → ALE ↓ time	t_{AVLL}	ALE, A23 to A16, AD15 to AD00	$t_{CP}/2 - 20$	—	ns	
ALE ↓ → address valid time	t_{LLAX}	ALE, AD15 to AD00	$t_{CP}/2 - 15$	—	ns	
Valid address → \overline{RD} ↓ time	t_{AVRL}	A23 to A16, AD15 to AD00, \overline{RD}	$t_{CP} - 15$	—	ns	
Valid address → Valid data input	t_{AVDV}	A23 to A16, AD15 to AD00	—	$5 t_{CP}/2 - 60$	ns	
\overline{RD} pulse width	t_{RLRH}	\overline{RD}	$3 t_{CP}/2 - 20$	—	ns	
\overline{RD} ↓ → valid data input	t_{RLDV}	\overline{RD} , AD15 to AD00	—	$3 t_{CP}/2 - 60$	ns	
\overline{RD} ↑ → data hold time	t_{RHDX}	\overline{RD} , AD15 to AD00	0	—	ns	
\overline{RD} ↑ → ALE ↑ time	t_{RHLH}	\overline{RD} , ALE	$t_{CP}/2 - 15$	—	ns	
\overline{RD} ↑ → address valid time	t_{RHAX}	\overline{RD} , A23 to A16	$t_{CP}/2 - 10$	—	ns	
Valid address → CLK ↑ time	t_{AVCH}	A23 to A16, AD15 to AD00, CLK	$t_{CP}/2 - 20$	—	ns	
\overline{RD} ↓ → CLK ↑ time	t_{RLCH}	\overline{RD} , CLK	$t_{CP}/2 - 20$	—	ns	
ALE ↓ → \overline{RD} ↓ time	t_{LLRL}	ALE, \overline{RD}	$t_{CP}/2 - 15$	—	ns	

MB90495G Series

• Bus read timing

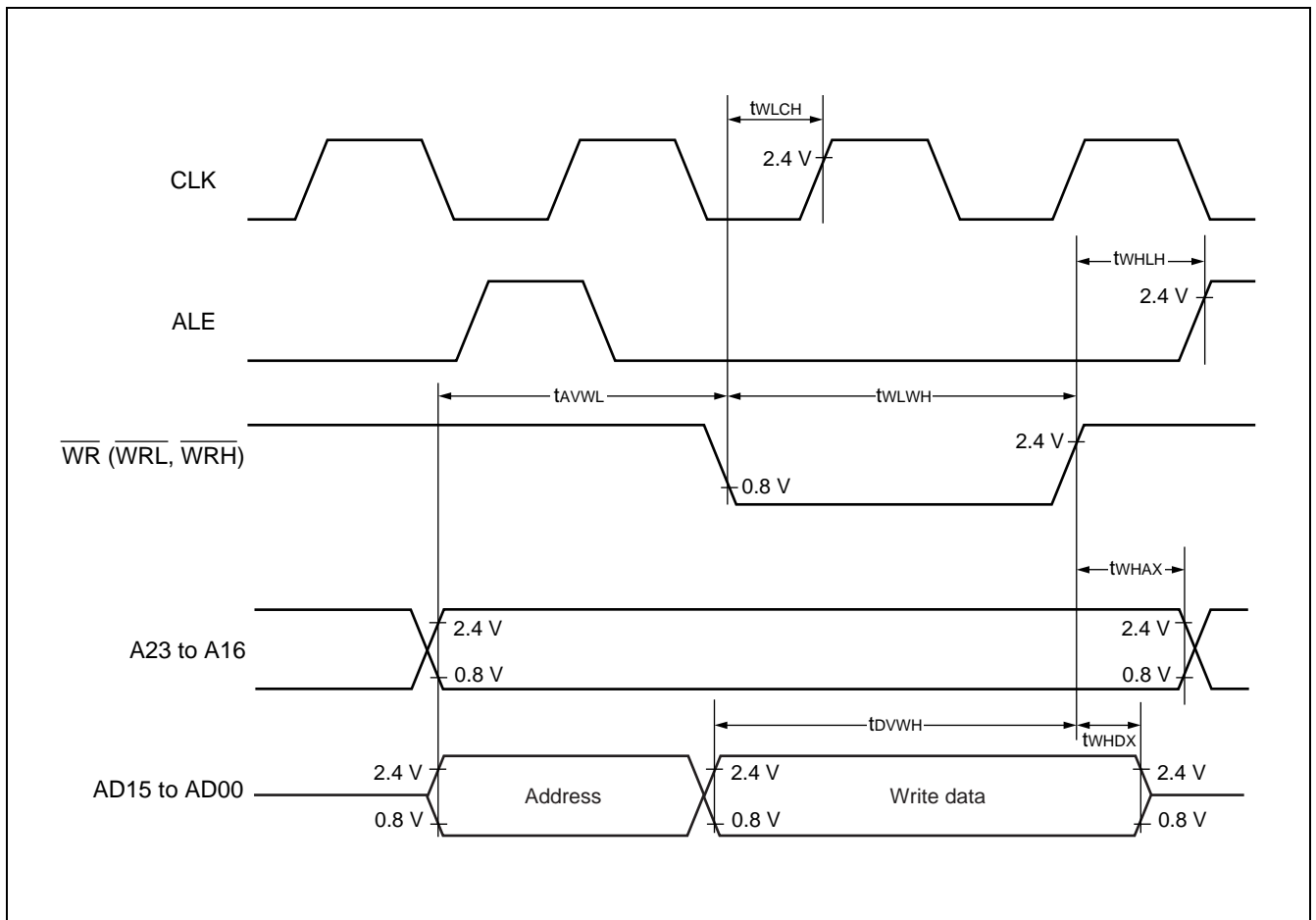


MB90495G Series

(6) Bus Write Timing

($V_{CC} = 5.0\text{ V} \pm 10\%$, $V_{SS} = 0.0\text{ V}$, $T_A = -40\text{ }^\circ\text{C}$ to $+105\text{ }^\circ\text{C}$)

Parameter	Symbol	Pin Name	Value		Unit	Remarks
			Min	Max		
Valid Address \rightarrow $\overline{\text{WR}}$ \downarrow time	t_{AVWL}	A23 to A16, AD15 to AD00, $\overline{\text{WR}}$	$t_{\text{CP}} - 15$	—	ns	
$\overline{\text{WR}}$ pulse width	t_{WLWH}	$\overline{\text{WR}}$	$3 t_{\text{CP}}/2 - 20$	—	ns	
Valid data output \rightarrow $\overline{\text{WR}}$ \uparrow time	t_{DVWH}	AD15 to AD00, $\overline{\text{WR}}$	$3 t_{\text{CP}}/2 - 20$	—	ns	
$\overline{\text{WR}}$ \uparrow \rightarrow data hold time	t_{WHDX}	AD15 to AD00, $\overline{\text{WR}}$	20	—	ns	
$\overline{\text{WR}}$ \uparrow \rightarrow address valid time	t_{WHAX}	A23 to A16, $\overline{\text{WR}}$	$t_{\text{CP}}/2 - 10$	—	ns	
$\overline{\text{WR}}$ \uparrow \rightarrow ALE \uparrow time	t_{WHLH}	$\overline{\text{WR}}$, ALE	$t_{\text{CP}}/2 - 15$	—	ns	
$\overline{\text{WR}}$ \uparrow \rightarrow CLK \uparrow time	t_{WLCH}	$\overline{\text{WR}}$, CLK	$t_{\text{CP}}/2 - 20$	—	ns	



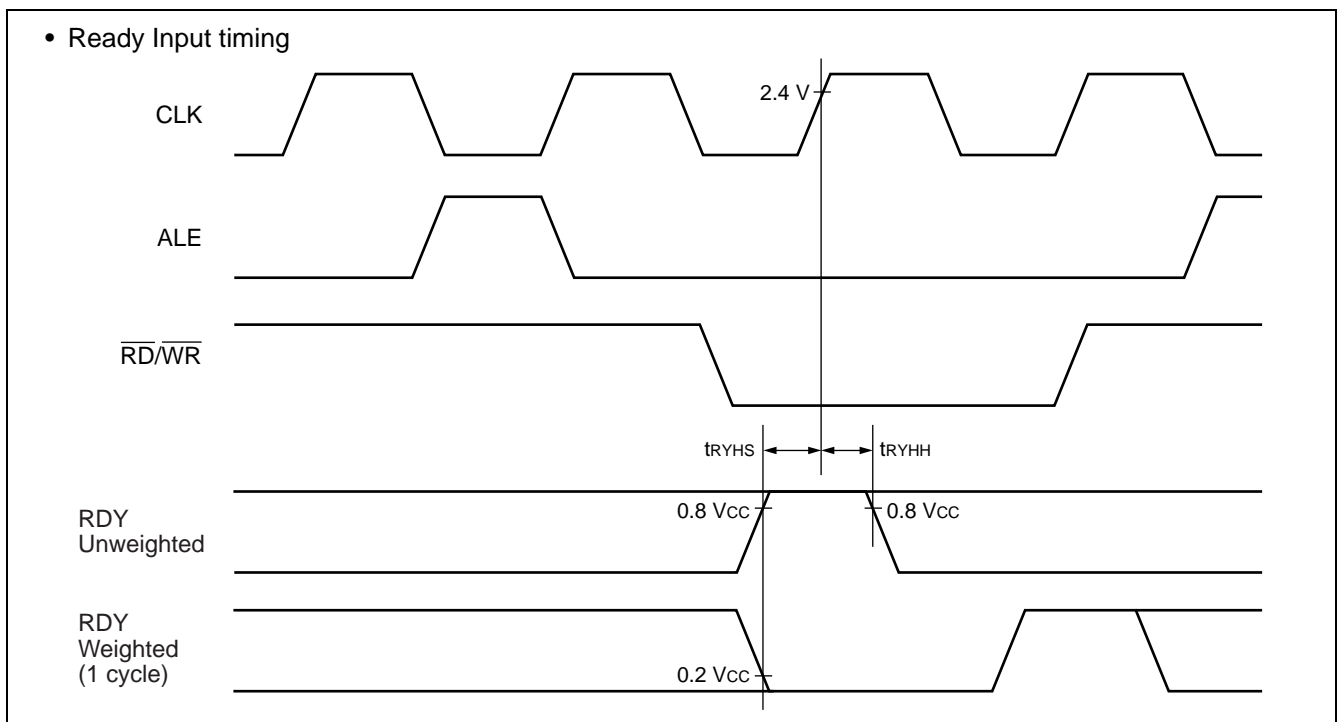
MB90495G Series

(7) Ready Input Timing

($V_{CC} = 5.0 V \pm 10\%$, $V_{SS} = 0.0 V$, $T_A = -40\text{ }^\circ\text{C}$ to $+105\text{ }^\circ\text{C}$)

Parameter	Symbol	Pin Name	Value		Unit	Remarks
			Min	Max		
RDY setup time	t_{RYHS}	RDY	45	—	ns	
RDY hold time	t_{RYHH}	RDY	0	—	ns	

Note : Use the automatic ready function if the setup time for the falling edge of the RDY signal is not sufficient.

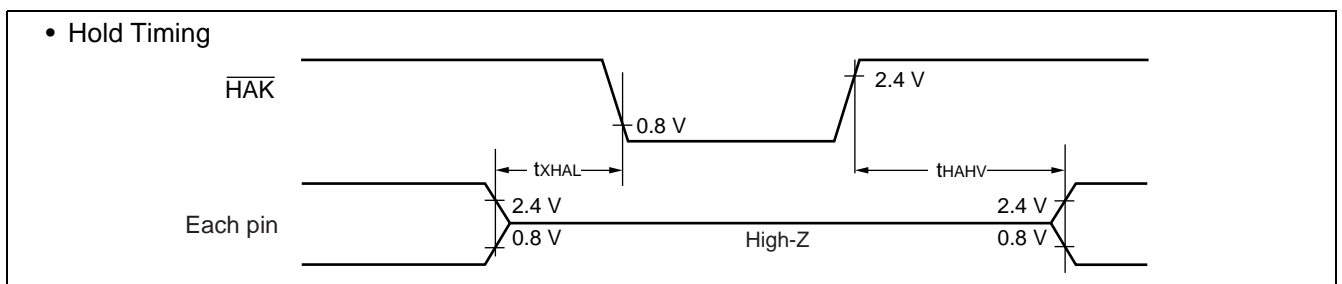


(8) Hold Timing

($V_{CC} = 5.0 V \pm 10\%$, $V_{SS} = 0.0 V$, $T_A = -40\text{ }^\circ\text{C}$ to $+105\text{ }^\circ\text{C}$)

Parameter	Symbol	Pin Name	Value		Unit	Remarks
			Min	Max		
Pin in floating status $\rightarrow \overline{\text{HAK}} \downarrow$ time	t_{XHAL}	$\overline{\text{HAK}}$	30	t_{CP}	ns	
$\overline{\text{HAK}} \uparrow \rightarrow$ pin valid time	t_{HAHV}	$\overline{\text{HAK}}$	t_{CP}	$2 t_{CP}$	ns	

Note : It will take at least 1 cycle from the time the HRQ pin is loaded until the HAK changes.



MB90495G Series

(9) UART Timing

($V_{CC} = 5.0\text{ V} \pm 5\%$, $V_{SS} = 0.0\text{ V}$, $T_A = -40\text{ }^\circ\text{C}$ to $+125\text{ }^\circ\text{C}$)
 ($V_{CC} = 5.0\text{ V} \pm 10\%$, $V_{SS} = 0.0\text{ V}$, $T_A = -40\text{ }^\circ\text{C}$ to $+105\text{ }^\circ\text{C}$)

Parameter	Symbol	Pin Name	Condition	Value		Unit	Remarks
				Min	Max		
Serial clock cycle time	t_{SCYC}	SCK1	Internal shift clock mode output pin : $C_L = 80\text{ pF} + 1\text{ TTL}$	$8\ t_{CP}^*$	—	ns	
SCK ↓ → SOT delay time	t_{SLOV}	SCK1, SOT1		-80	+ 80	ns	
Valid SIN → SCK ↑	t_{IVSH}	SCK1, SIN1		100	—	ns	
SCK ↑ → valid SIN hold time	t_{SHIX}	SCK1, SIN1		60	—	ns	
Serial clock "H" pulse width	t_{SHSL}	SCK1	External shift clock mode output pin : $C_L = 80\text{ pF} + 1\text{ TTL}$	$4\ t_{CP}$	—	ns	
Serial clock "L" pulse width	t_{LSLH}	SCK1		$4\ t_{CP}$	—	ns	
SCK ↓ → SOT delay time	t_{SLOV}	SCK1, SOT1		—	150	ns	
Valid SIN → SCK ↑	t_{IVSH}	SCK1, SIN1		60	—	ns	
SCK ↑ → valid SIN hold time	t_{SHIX}	SCK1, SIN1		60	—	ns	

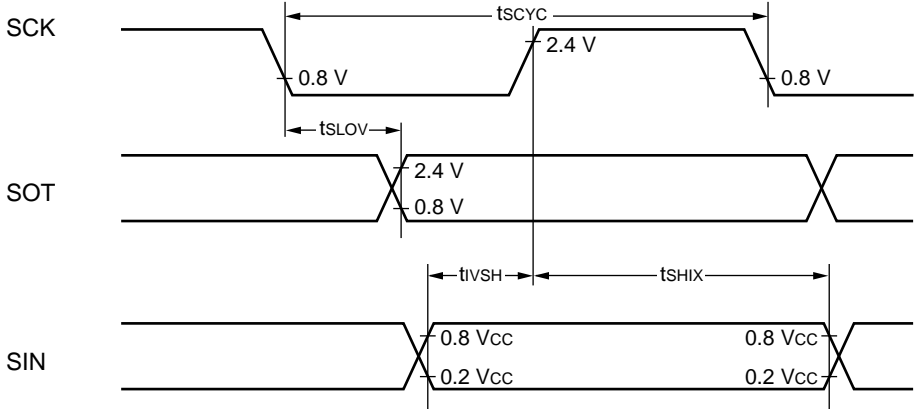
* : See "(1) Clock Timing" for details about t_{CP} (internal operating clock cycle time).

Notes : • AC characteristics are for CLK synchronous mode.

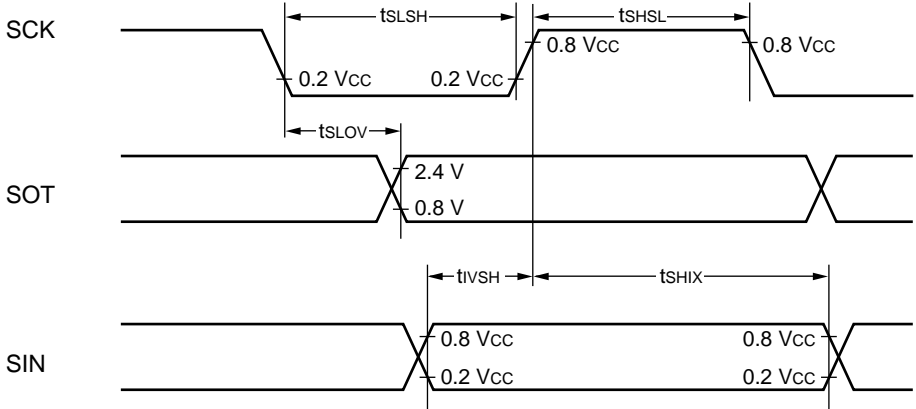
- C_L is the load capacitor value connected to pins while testing.

MB90495G Series

- Internal shift clock mode



- External shift clock mode



MB90495G Series

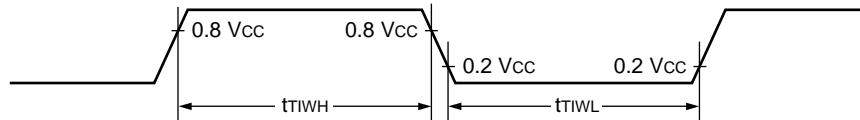
(10) Timer Input Timing

($V_{CC} = 5.0\text{ V} \pm 5\%$, $V_{SS} = 0.0\text{ V}$, $T_A = -40\text{ }^\circ\text{C}$ to $+125\text{ }^\circ\text{C}$)
 ($V_{CC} = 5.0\text{ V} \pm 10\%$, $V_{SS} = 0.0\text{ V}$, $T_A = -40\text{ }^\circ\text{C}$ to $+105\text{ }^\circ\text{C}$)

Parameter	Symbol	Pin Name	Condition	Value		Unit	Remarks
				Min	Max		
Input pulse width	t_{TIWH}	TIN0, TIN1, FRCK	—	4 t_{CP}	—	ns	
	t_{TIWL}	IN0 to IN3, FRCK					

• Timer Input Timing

TIN0, TIN1,
IN0 to IN3,
FRCK



(11) Timer Output Timing

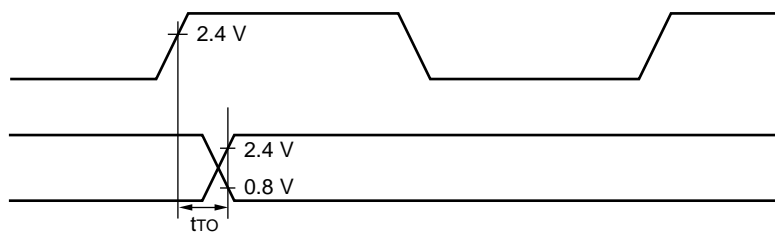
($V_{CC} = 5.0\text{ V} \pm 5\%$, $V_{SS} = 0.0\text{ V}$, $T_A = -40\text{ }^\circ\text{C}$ to $+125\text{ }^\circ\text{C}$)
 ($V_{CC} = 5.0\text{ V} \pm 10\%$, $V_{SS} = 0.0\text{ V}$, $T_A = -40\text{ }^\circ\text{C}$ to $+105\text{ }^\circ\text{C}$)

Parameter	Symbol	Pin Name	Condition	Value		Unit	Remarks
				Min	Max		
CLK \uparrow \rightarrow T_{OUT} change time	t_{TO}	TOT0, TOT1, PPG0 to PPG3	—	30	—	ns	

• Timer Output Timing

CLK

TOT0, TOT1,
PPG0 to PPG3



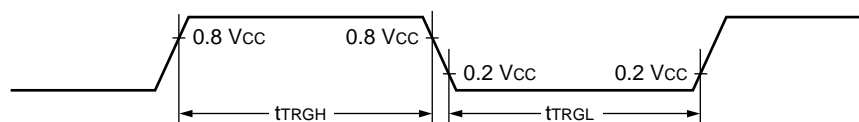
(12) Trigger Input Timing

($V_{CC} = 5.0\text{ V} \pm 5\%$, $V_{SS} = 0.0\text{ V}$, $T_A = -40\text{ }^\circ\text{C}$ to $+125\text{ }^\circ\text{C}$)
 ($V_{CC} = 5.0\text{ V} \pm 10\%$, $V_{SS} = 0.0\text{ V}$, $T_A = -40\text{ }^\circ\text{C}$ to $+105\text{ }^\circ\text{C}$)

Parameter	Symbol	Pin Name	Condition	Value		Unit	Remarks
				Min	Max		
Input pulse width	t_{TRGH}	INT0 to INT7, ADTG	—	5 t_{CP}	—	ns	Normal mode
	t_{TRGL}			1	—		

• Trigger Input Timing

INT0 to INT7,
ADTG



MB90495G Series

5. A/D Converter

($V_{CC} = AV_{CC} = 5.0 \text{ V} \pm 5\%$, $V_{SS} = AV_{SS} = 0.0 \text{ V}$, $3.0 \text{ V} \leq AVR - AV_{SS}$, $T_A = -40 \text{ }^\circ\text{C}$ to $+125 \text{ }^\circ\text{C}$)
 ($V_{CC} = AV_{CC} = 5.0 \text{ V} \pm 10\%$, $V_{SS} = AV_{SS} = 0.0 \text{ V}$, $3.0 \text{ V} \leq AVR - AV_{SS}$, $T_A = -40 \text{ }^\circ\text{C}$ to $+105 \text{ }^\circ\text{C}$)

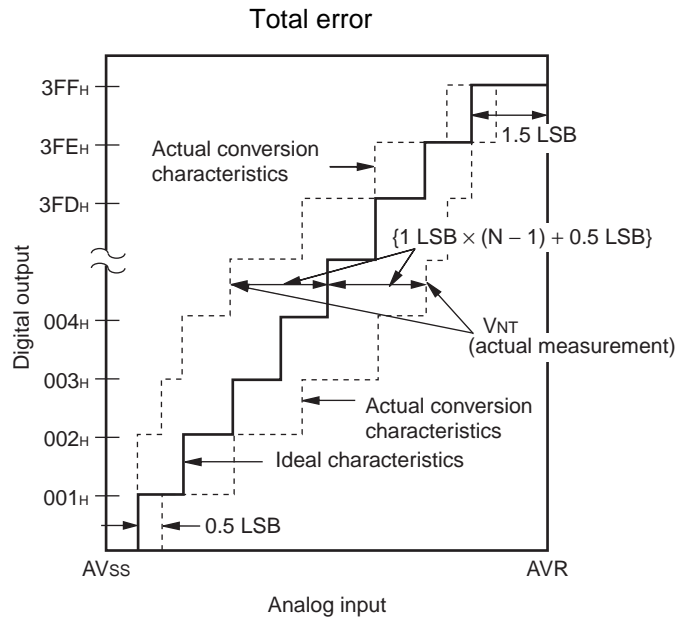
Parameter	Symbol	Pin Name	Value			Unit	Remarks
			Min	Typ	Max		
Resolution	—	—	—	—	10	bit	
Total error	—	—	—	—	± 5.0	LSB	
Nonlinearity error	—	—	—	—	± 2.5	LSB	
Differential linearity error	—	—	—	—	± 1.9	LSB	
Zero transition voltage	V_{OT}	AN0 to AN7	$AV_{SS} - 3.5 \text{ LSB}$	$AV_{SS} + 0.5 \text{ LSB}$	$AV_{SS} + 4.5 \text{ LSB}$	V	1 LSB = $(AVR - AV_{SS}) / 1024$
Full-scale transition voltage	V_{FST}	AN0 to AN7	$AVR - 6.5 \text{ LSB}$	$AVR - 1.5 \text{ LSB}$	$AVR + 1.5 \text{ LSB}$	V	
Conversion time	—	—	66 t_{CP}	—	—	ns	Machine clock of 16 MHz
Sampling period	—	—	32 t_{CP}	—	—	ns	
Analog port input current	I_{AIN}	AN0 to AN7	—	—	10	μA	
Analog input voltage	V_{AIN}	AN0 to AN7	AV_{SS}	—	AVR	V	
Reference voltage	—	AVR	$AV_{SS} + 3.0$	—	AV_{CC}	V	
Power supply current	I_A	AV_{CC}	—	2	7	mA	
	I_{AH}	AV_{CC}	—	—	5	μA	*
Reference voltage supply current	I_R	AVR	—	0.9	1.3	mA	
	I_{RH}	AVR	—	—	5	μA	*
Inter-channel variation	—	AN0 to AN7	—	—	4	LSB	

* : Current ($V_{CC} = AV_{CC} = AVR = 5.0 \text{ V}$) when A/D converter is not operating and CPU is halted.

MB90495G Series

6. A/D Converter Glossary

- Resolution : Analog changes that are identifiable with the A/D converter
- Linearity error : The deviation of the straight line connecting the zero transition point (“00 0000 0000” ↔ “00 0000 0001”) with the full-scale transition point (“11 1111 1110” ↔ “11 1111 1111”) from actual conversion characteristics.
- Differential linearity error : The deviation of input voltage needed to change the output code by 1 LSB from the ideal value.
- Total error : The difference between the actual value and the theoretical value, which includes zero-transition error/full-scale transition error, linearity error, and differential linearity error.



$$\text{Total error of digital output } N = \frac{V_{NT} - \{1 \text{ LSB} \times (N - 1) + 0.5 \text{ LSB}\}}{1 \text{ LSB}} \text{ [LSB]}$$

$$1 \text{ LSB} = (\text{ideal value}) \frac{AVR - AV_{SS}}{1024} \text{ [V]}$$

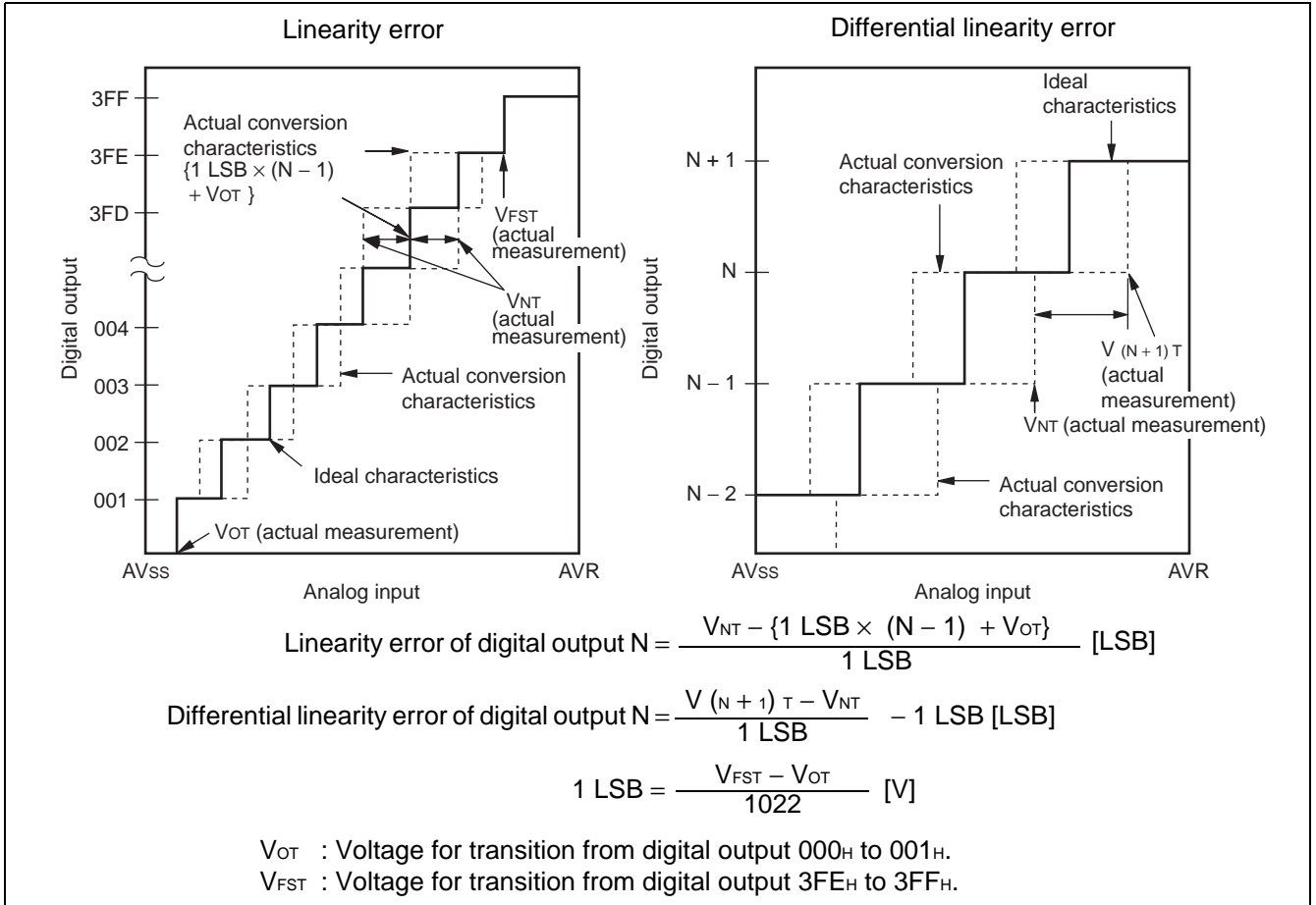
$$V_{OT} (\text{ideal value}) = AV_{SS} + 0.5 \text{ LSB [V]}$$

$$V_{FST} (\text{ideal value}) = AVR - 1.5 \text{ LSB [V]}$$

V_{NT} : The voltage to transition digital output from (N - 1) to N.

(Continued)

(Continued)



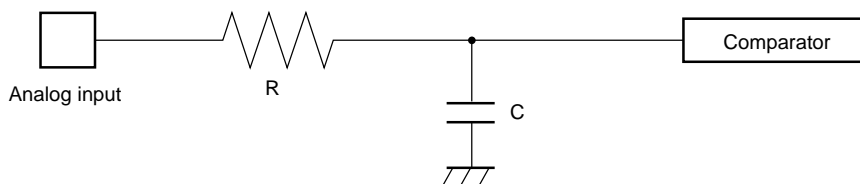
7. Notes on Using A/D Converter

Select the output impedance value for the external circuit of analog input according to the following conditions : External circuit output impedance values of about 5 kΩ or lower are recommended.

If external capacitors are used, a capacitance of several thousand times the internal capacitor value is recommended in order to minimize the effect of voltage distribution between the external and internal capacitor.

If the output impedance of the external circuit is too high, the sampling time for analog voltages may not be sufficient (sampling period = 2.00 μs @ machine clock of 16 MHz) .

• Model Analog Input Circuit



MB90F497G, MB90F498G, MB90V495G $R \cong 3.2 \text{ k}\Omega$, $C \cong 30 \text{ pF}$
 MB90497G $R \cong 2.6 \text{ k}\Omega$, $C \cong 28 \text{ pF}$

Note : The figures given here are the suggested values.

• About Error

The smaller the absolute value of $|AVR - AV_{SS}|$, the greater the relative error.

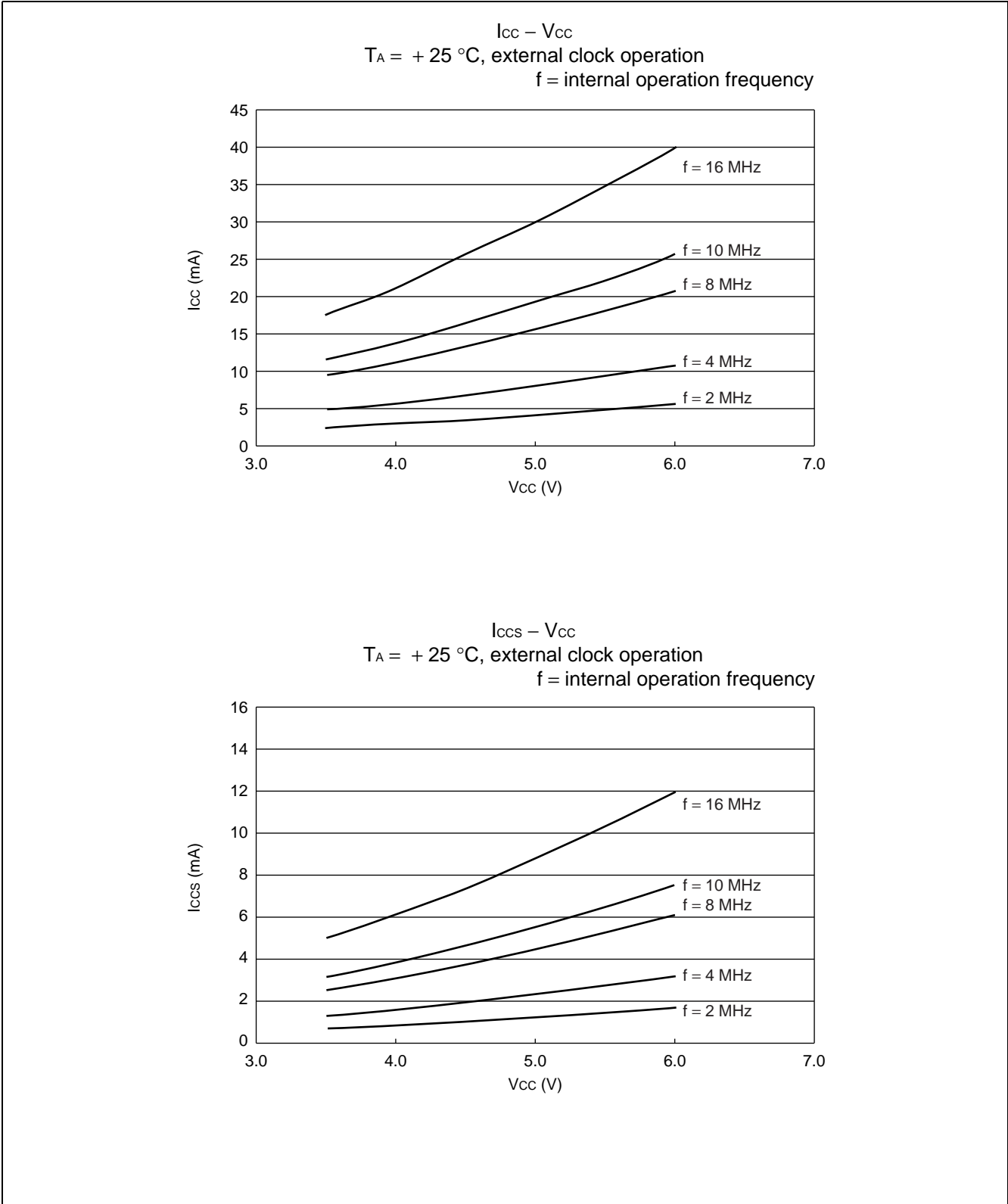
MB90495G Series

8. Flash Memory Program/Erase Characteristics

Parameter	Condition	Value			Unit	Remarks
		Min	Typ	Max		
Sector erase time	T _A = + 25 °C V _{CC} = 5.0 V	—	1	15	s	Excludes 00 _H programming prior erasure
Chip erase time		—	5	—	s	Excludes 00 _H programming prior erasure
Word (16-bit width) programming time		—	16	3,600	μs	Excludes system-level overhead
Erase/Program cycle	—	10,000	—	—	cycle	

EXAMPLE CHARACTERISTICS

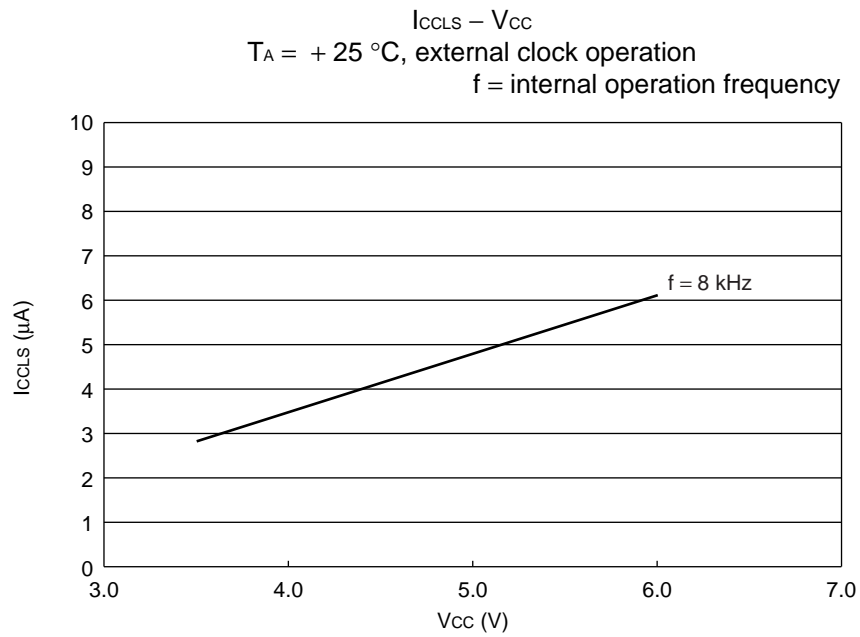
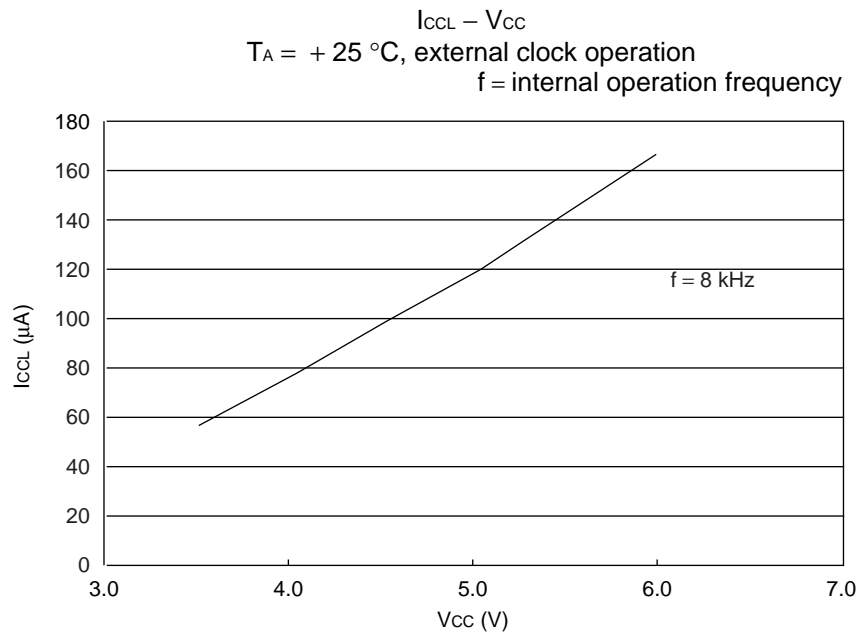
• MB90F497G/F498G



(Continued)

MB90495G Series

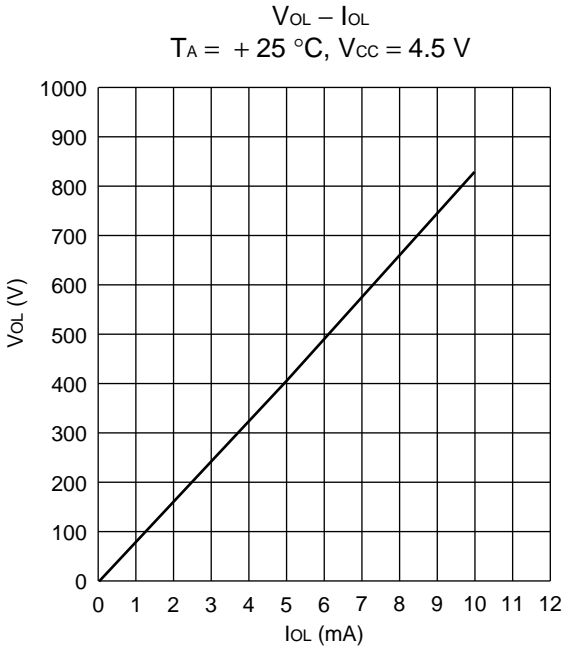
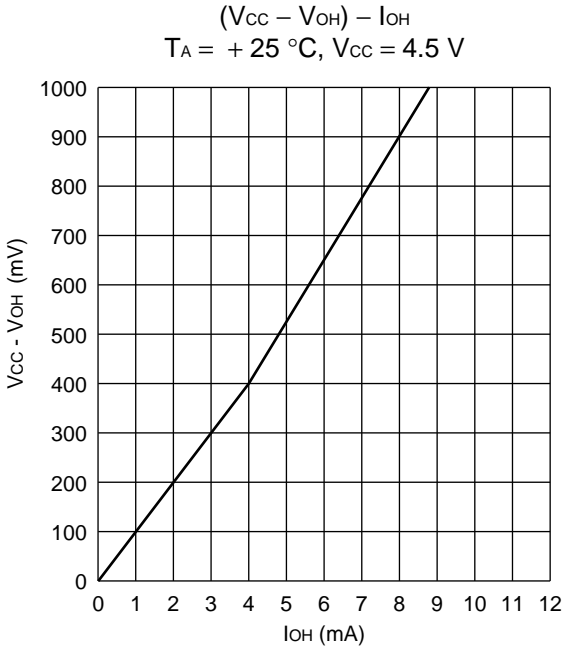
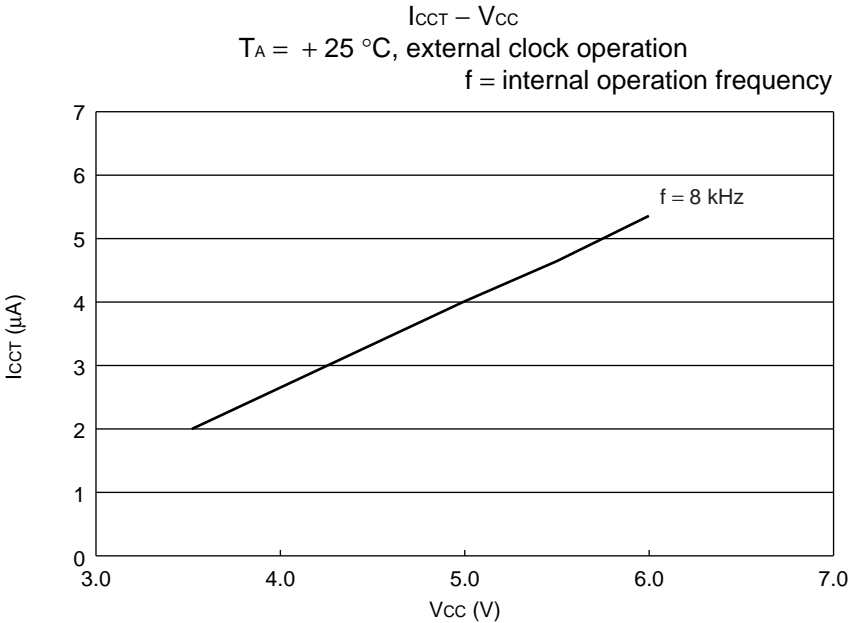
(Continued)



(Continued)

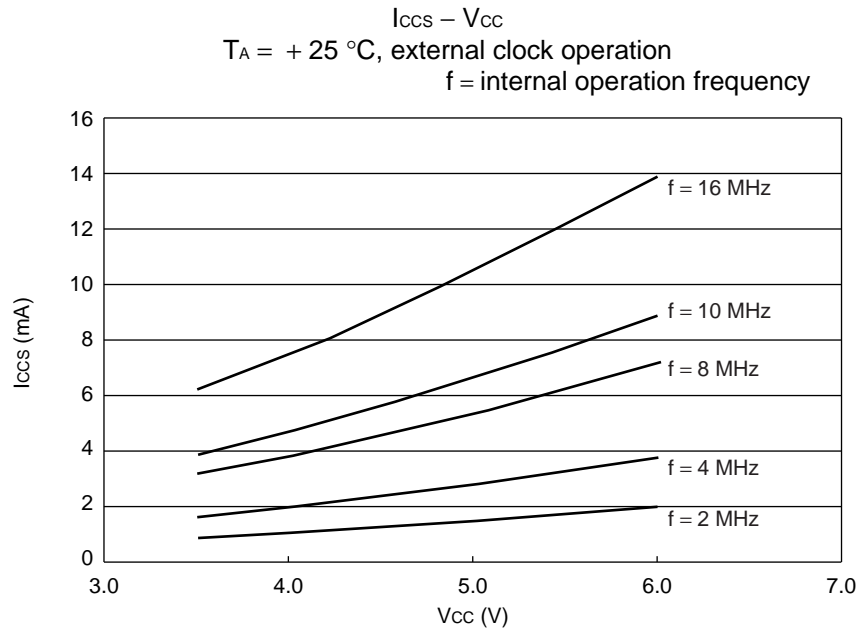
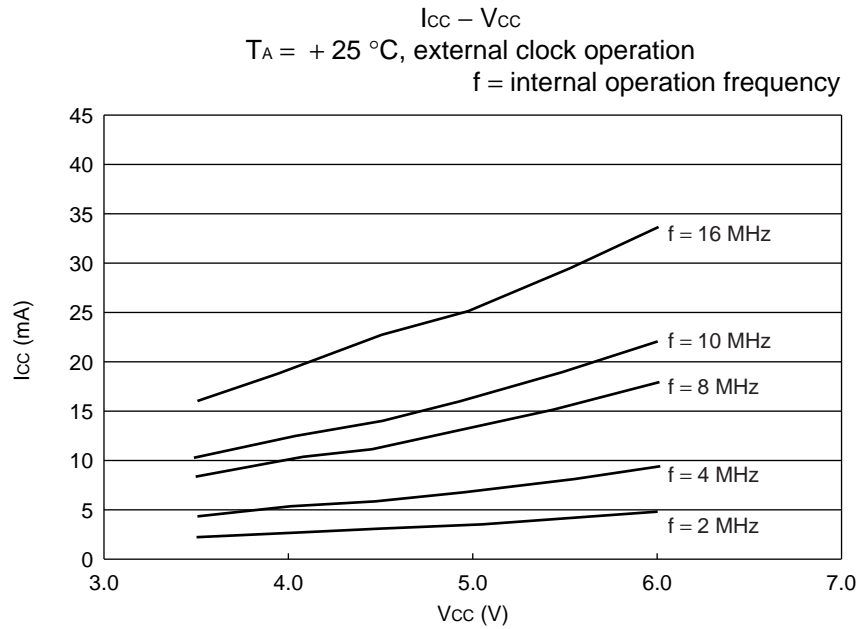
MB90495G Series

(Continued)



MB90495G Series

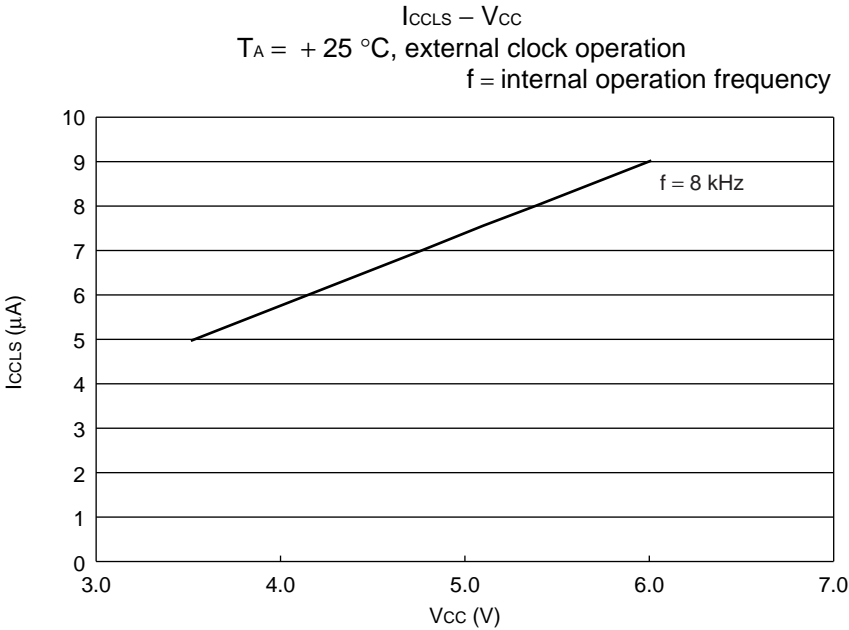
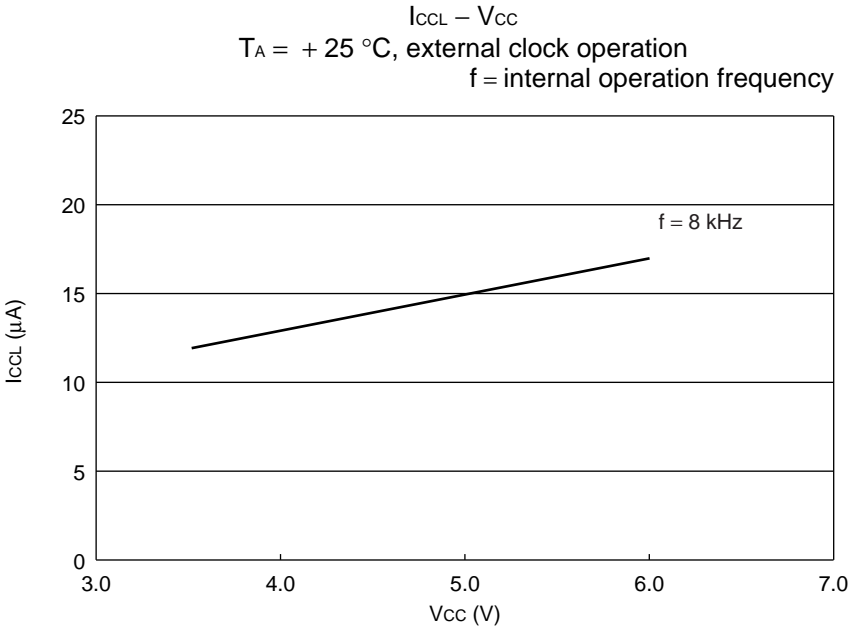
• MB90497G



(Continued)

MB90495G Series

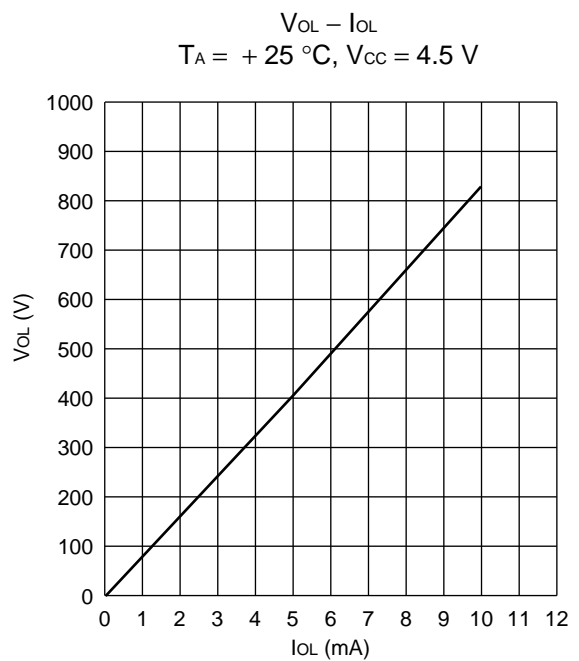
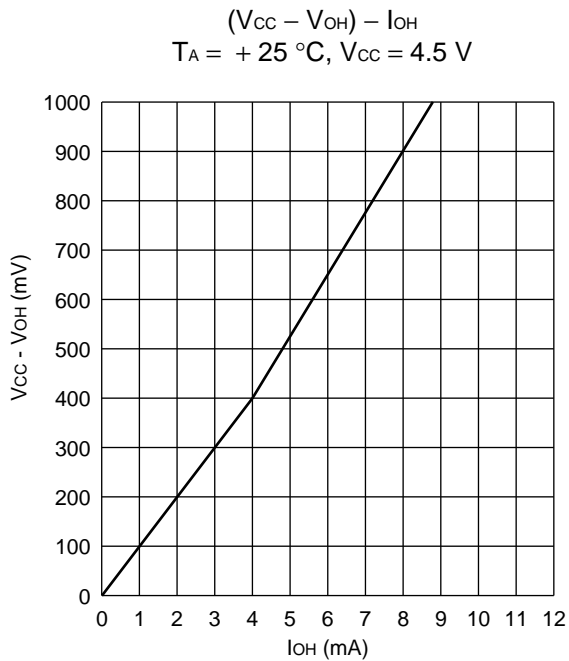
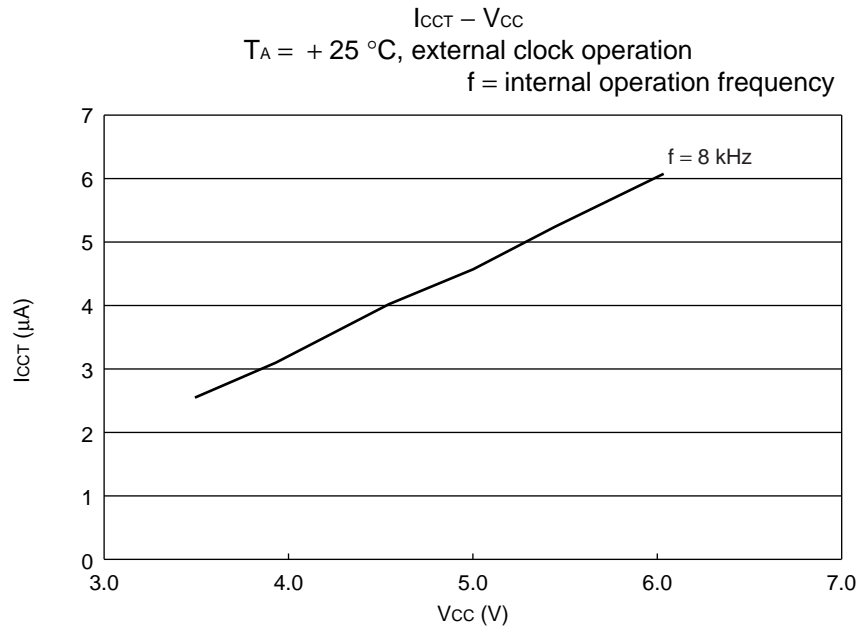
(Continued)



(Continued)

MB90495G Series

(Continued)



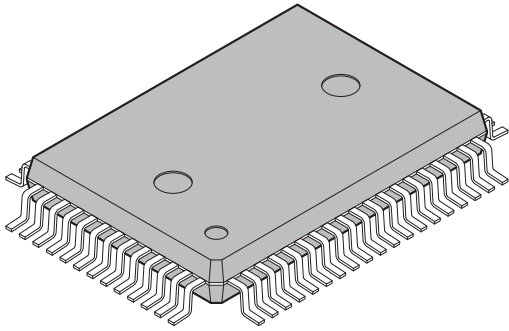
MB90495G Series

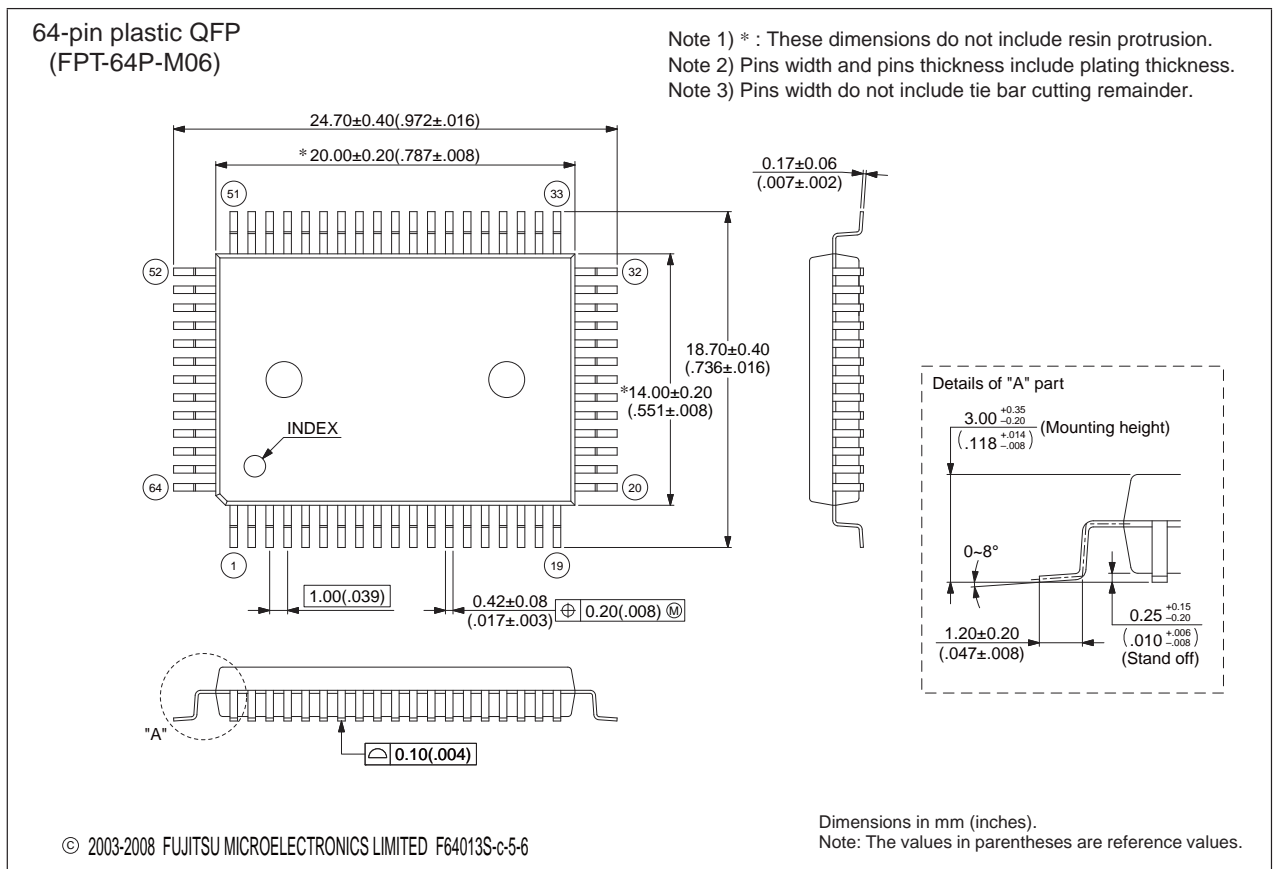
■ ORDERING INFORMATION

Part Number	Package	Remarks
MB90F497GPF MB90497GPF MB90F498GPF	64-pin plastic QFP (FPT-64P-M06)	
MB90F497GPMC MB90497GPMC MB90F498GPMC	64-pin plastic LQFP (FPT-64P-M23)	

MB90495G Series

PACKAGE DIMENSIONS

 <p>64-pin plastic QFP (FPT-64P-M06)</p>	Lead pitch	1.00 mm
	Package width × package length	14 × 20 mm
	Lead shape	Gullwing
	Sealing method	Plastic mold
	Mounting height	3.35 mm MAX
	Code (Reference)	P-QFP64-14×20-1.00

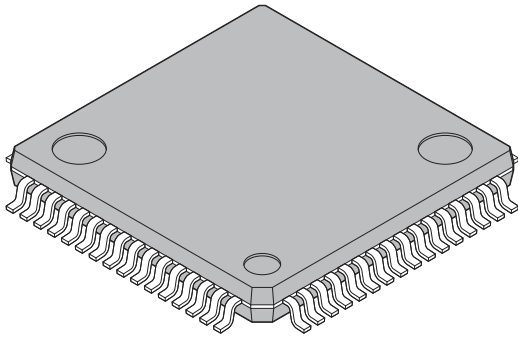


Please confirm the latest Package dimension by following URL.
<http://edevice.fujitsu.com/package/en-search/>

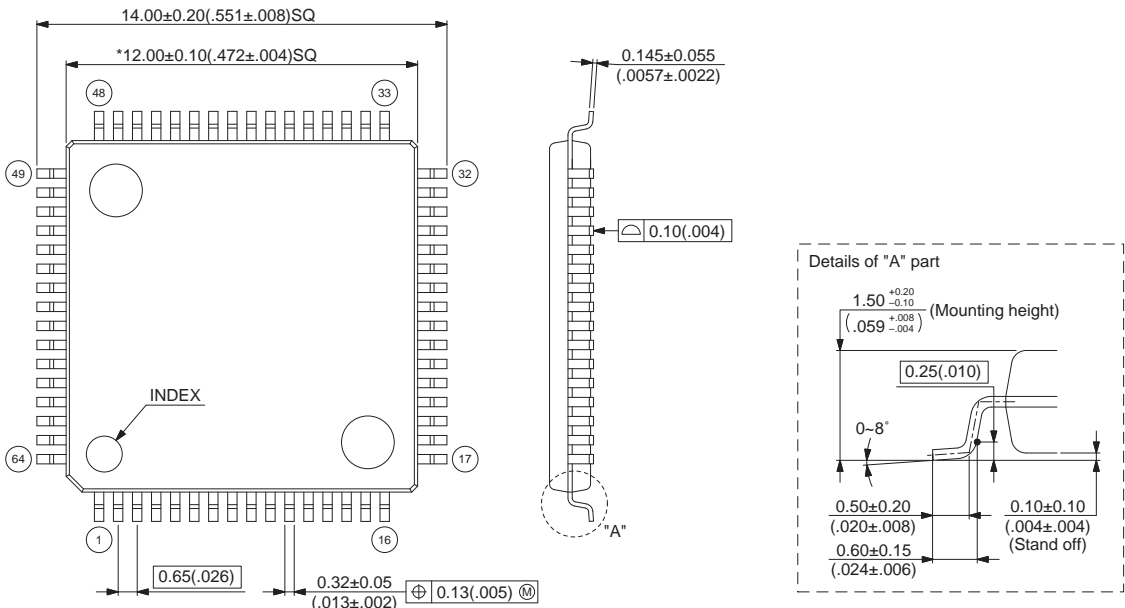
(Continued)

MB90495G Series

(Continued)

<p>64-pin plastic LQFP</p>  <p>(FPT-64P-M23)</p>	Lead pitch	0.65 mm
	Package width × package length	12.0 × 12.0 mm
	Lead shape	Gullwing
	Sealing method	Plastic mold
	Mounting height	1.70 mm MAX
	Code (Reference)	P-LFQFP64-12×12-0.65

64-pin plastic LQFP (FPT-64P-M23)



Note 1) * : These dimensions do not include resin protrusion.
 Note 2) Pins width and pins thickness include plating thickness.
 Note 3) Pins width do not include tie bar cutting remainder.

©2003-2008 FUJITSU MICROELECTRONICS LIMITED F64034S-c-1-2

Dimensions in mm (inches).
 Note: The values in parentheses are reference values

Please confirm the latest Package dimension by following URL.
<http://edevice.fujitsu.com/package/en-search/>

MB90495G Series

■ MAIN CHANGES IN THIS EDITION

Page	Section	Change Results
18	■ BLOCK DIAGRAM 16-bit reload timer	Corrected the direction of arrow for TIN0, TIN1 signal. “→ (output)” → “← (input)”
23	■ I/O MAP Address : 0000AA _H	Corrected the Initial Value of “Watch timer control register”. 10001000 _B → 1X001000 _B

The vertical lines marked in the left side of the page show the changes.

MEMO

A large, empty rectangular box with rounded corners, intended for taking notes or providing additional information.

MB90495G Series

MEMO

MEMO

MB90495G Series

FUJITSU MICROELECTRONICS LIMITED

Shinjuku Dai-Ichi Seimei Bldg., 7-1, Nishishinjuku 2-chome,
Shinjuku-ku, Tokyo 163-0722, Japan
Tel: +81-3-5322-3347 Fax: +81-3-5322-3387
<http://jp.fujitsu.com/fml/en/>

For further information please contact:

North and South America

FUJITSU MICROELECTRONICS AMERICA, INC.
1250 E. Arques Avenue, M/S 333
Sunnyvale, CA 94085-5401, U.S.A.
Tel: +1-408-737-5600 Fax: +1-408-737-5999
<http://www.fma.fujitsu.com/>

Asia Pacific

FUJITSU MICROELECTRONICS ASIA PTE. LTD.
151 Lorong Chuan,
#05-08 New Tech Park 556741 Singapore
Tel : +65-6281-0770 Fax : +65-6281-0220
<http://www.fmal.fujitsu.com/>

Europe

FUJITSU MICROELECTRONICS EUROPE GmbH
Pittlerstrasse 47, 63225 Langen, Germany
Tel: +49-6103-690-0 Fax: +49-6103-690-122
<http://emea.fujitsu.com/microelectronics/>

FUJITSU MICROELECTRONICS SHANGHAI CO., LTD.

Rm. 3102, Bund Center, No.222 Yan An Road (E),
Shanghai 200002, China
Tel : +86-21-6146-3688 Fax : +86-21-6335-1605
<http://cn.fujitsu.com/fmc/>

Korea

FUJITSU MICROELECTRONICS KOREA LTD.
206 Kosmo Tower Building, 1002 Daechi-Dong,
Gangnam-Gu, Seoul 135-280, Republic of Korea
Tel: +82-2-3484-7100 Fax: +82-2-3484-7111
<http://kr.fujitsu.com/fmk/>

FUJITSU MICROELECTRONICS PACIFIC ASIA LTD.

10/F., World Commerce Centre, 11 Canton Road,
Tsimshatsui, Kowloon, Hong Kong
Tel : +852-2377-0226 Fax : +852-2376-3269
<http://cn.fujitsu.com/fmc/en/>

Specifications are subject to change without notice. For further information please contact each office.

All Rights Reserved.

The contents of this document are subject to change without notice.

Customers are advised to consult with sales representatives before ordering.

The information, such as descriptions of function and application circuit examples, in this document are presented solely for the purpose of reference to show examples of operations and uses of FUJITSU MICROELECTRONICS device; FUJITSU MICROELECTRONICS does not warrant proper operation of the device with respect to use based on such information. When you develop equipment incorporating the device based on such information, you must assume any responsibility arising out of such use of the information.

FUJITSU MICROELECTRONICS assumes no liability for any damages whatsoever arising out of the use of the information.

Any information in this document, including descriptions of function and schematic diagrams, shall not be construed as license of the use or exercise of any intellectual property right, such as patent right or copyright, or any other right of FUJITSU MICROELECTRONICS or any third party or does FUJITSU MICROELECTRONICS warrant non-infringement of any third-party's intellectual property right or other right by using such information. FUJITSU MICROELECTRONICS assumes no liability for any infringement of the intellectual property rights or other rights of third parties which would result from the use of information contained herein.

The products described in this document are designed, developed and manufactured as contemplated for general use, including without limitation, ordinary industrial use, general office use, personal use, and household use, but are not designed, developed and manufactured as contemplated (1) for use accompanying fatal risks or dangers that, unless extremely high safety is secured, could have a serious effect to the public, and could lead directly to death, personal injury, severe physical damage or other loss (i.e., nuclear reaction control in nuclear facility, aircraft flight control, air traffic control, mass transport control, medical life support system, missile launch control in weapon system), or (2) for use requiring extremely high reliability (i.e., submersible repeater and artificial satellite).

Please note that FUJITSU MICROELECTRONICS will not be liable against you and/or any third party for any claims or damages arising in connection with above-mentioned uses of the products.

Any semiconductor devices have an inherent chance of failure. You must protect against injury, damage or loss from such failures by incorporating safety design measures into your facility and equipment such as redundancy, fire protection, and prevention of over-current levels and other abnormal operating conditions.

Exportation/release of any products described in this document may require necessary procedures in accordance with the regulations of the Foreign Exchange and Foreign Trade Control Law of Japan and/or US export control laws.

The company names and brand names herein are the trademarks or registered trademarks of their respective owners.

Edited: Sales Promotion Department