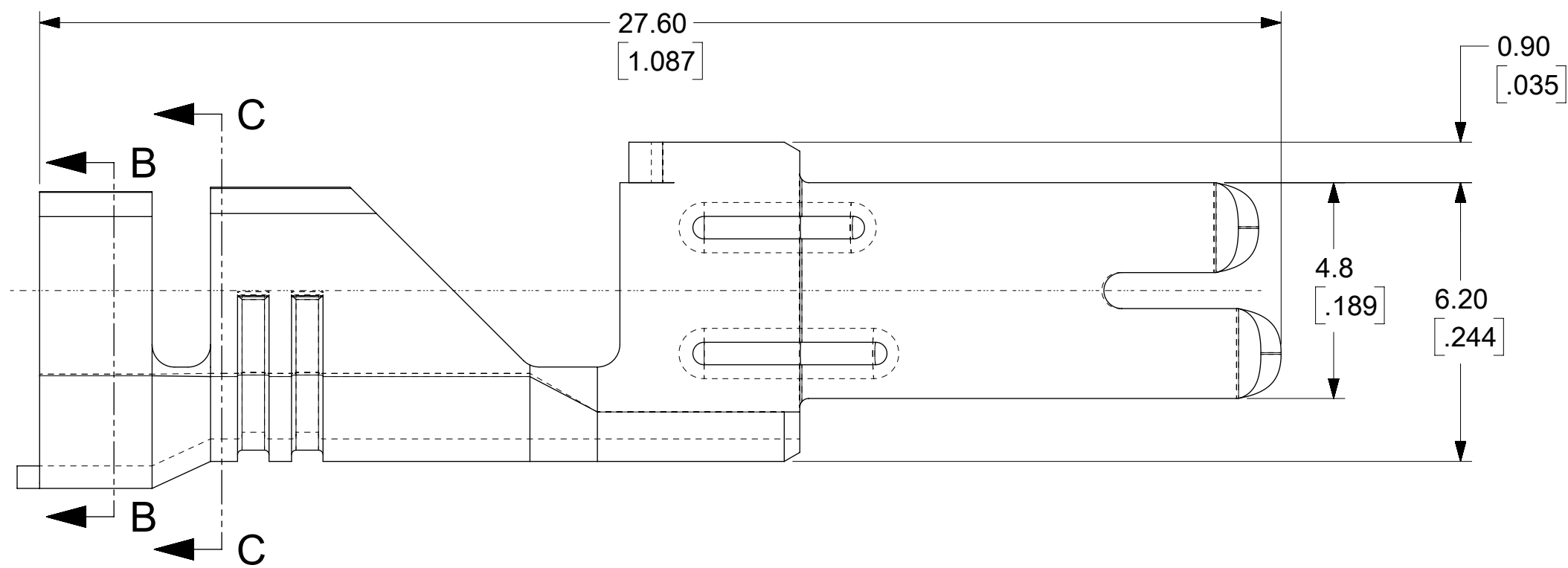
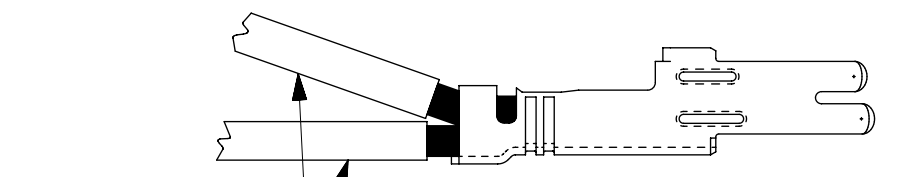
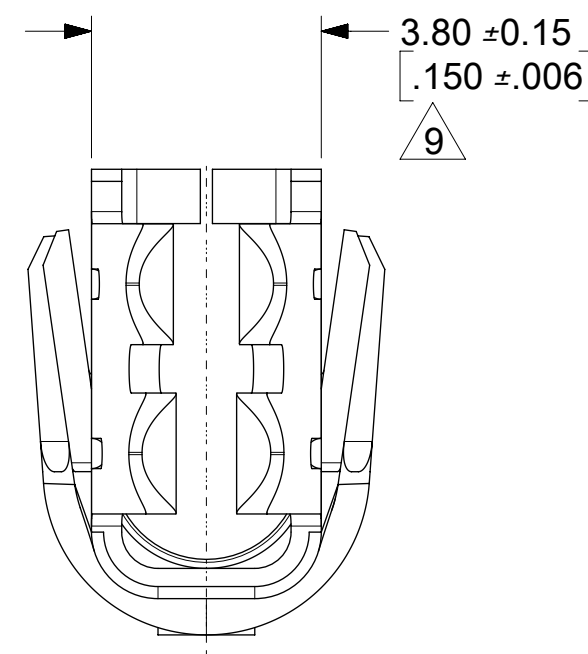


ISOMETRIC VIEW
(SCALE 4:1)

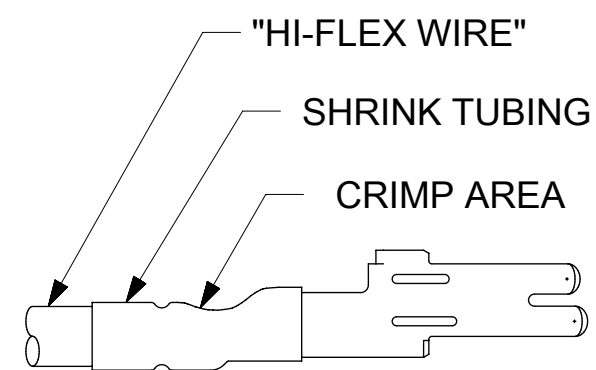


12 & 10 AWG TERMINAL

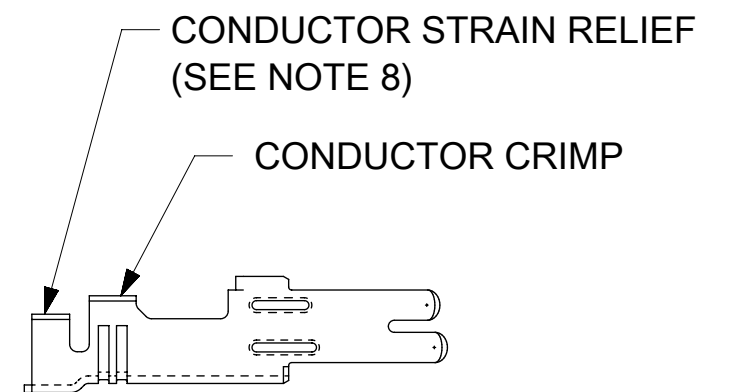


12AWG WIRE

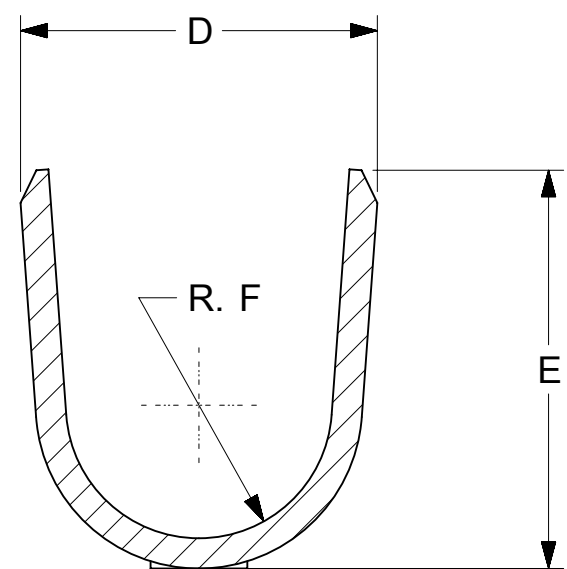
8AWG TERMINAL
12AWG DOUBLE CRIMP
(SEE NOTE 11)



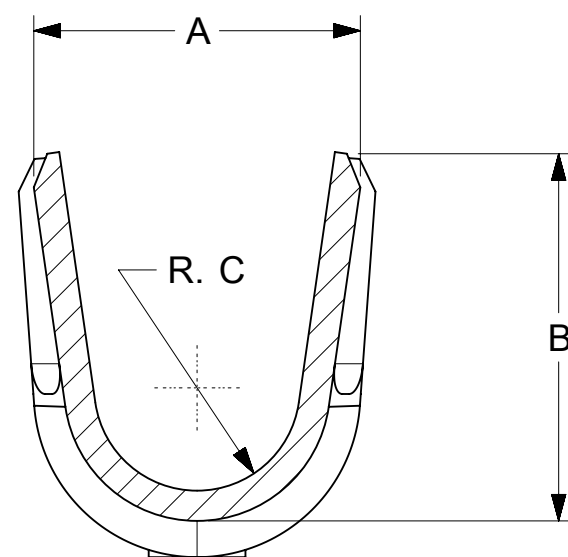
8 AWG TERMINAL
(SEE NOTE 10)



8 AWG TERMINAL
(SEE NOTE 8)



SECTION B-B



SECTION C-C
(BACKGROUND OMMITED)

THIS DRAWING CONTAINS INFORMATION THAT IS PROPRIETARY TO MOLEX ELECTRONIC TECHNOLOGIES, LLC AND SHOULD NOT BE USED WITHOUT WRITTEN PERMISSION

DIMENSION UNITS		SCALE		CURRENT REV DESC: REPLACES SD-42815-*			
MM/IN		8:1					
GENERAL TOLERANCES (UNLESS SPECIFIED)				EC NO: 612616			
		MM	INCH	DRWN: SGANGADHARDO 2019/02/22			
4 PLACES		±	±	CHK'D: SGANGADHARDO 2019/02/22			
3 PLACES		±	± 0.1	APPR: ISHWARG 2019/02/25			
2 PLACES		± 0.25	± 0.16	INITIAL REVISION:			
1 PLACE		± 0.4	±	DRWN: RJF 1992/06/01			
0 PLACES		±	±	APPR: RAS 1992/06/01			
ANGULAR TOL		± 0.5 °		THIRD ANGLE PROJECTION			
DRAFT WHERE APPLICABLE MUST REMAIN WITHIN DIMENSIONS				DRAWING		SERIES	
				C-SIZE		42815	
DOCUMENT NUMBER				DOC TYPE		DOC PART	
428150000-SD				PSD		000	
MATERIAL NUMBER				CUSTOMER		REVISION	
SEE CHART				GENERAL MARKET		A1	
DOCUMENT STATUS				RELEASE DATE		SHEET NUMBER	
P1				2019/02/25 05:13:52		1 OF 2	

molex

FEMALE CRIMP TERMINAL, 12, 10 & 8AWG MINIFIT SR.

PRODUCT CUSTOMER DRAWING

THIS DOCUMENT HAS BEEN RE-ISSUED BASED ON SD-42815-*, REV J.

DOCUMENT STATUS P1 RELEASE DATE 2019/02/25 05:13:52

ITEM NUMBER	WIRE RANGE	DIM. A	DIM. B	DIM. C	DIM. D	DIM. E	DIM. F	MAX. INSULATION DIAMETER	PLATING	STATUS
428150011	12 & 10 AWG (5 & 6mm ²)	5.40±.60 [.213±.024]	6.10±.40 [.240±.016]	R 1.70 [.067]	5.90±.60 [.232±.024]	6.60±.40 [.260±.016]	R 2.20 [.087]	5.30 DIA. [.209]	OVERALL TIN	PLANNED FOR OBSOLESCENCE
428150031	8 AWG	5.83±.60 [.229±.024]	7.42±.40 [.292±.016]	R 1.70 [.067]	6.00±.60 [.236±.024]	5.50±.40 [.216±.016]	R 2.20 [.087]	6.60 DIA. [.260]		
428150012	12 & 10 AWG (5 & 6mm ²)	5.40±.60 [.213±.024]	6.10±.40 [.240±.016]	R 1.70 [.067]	5.90±.60 [.232±.024]	6.60±.40 [.260±.016]	R 2.20 [.087]	5.30 DIA. [.209]	SELECT GOLD	ACTIVE
428150032	8 AWG	5.83±.60 [.229±.024]	7.42±.40 [.292±.016]	R 1.70 [.067]	6.00±.60 [.236±.024]	5.50±.40 [.216±.016]	R 2.20 [.087]	6.60 DIA. [.260]		
428150114	12 & 10 AWG (5 & 6mm ²)	5.40±.60 [.213±.024]	6.10±.40 [.240±.016]	R 1.70 [.067]	5.90±.60 [.232±.024]	6.60±.40 [.260±.016]	R 2.20 [.087]	5.30 DIA. [.209]	SELECT SILVER	ACTIVE
428150134	8 AWG	5.83±.60 [.229±.024]	7.42±.40 [.292±.016]	R 1.70 [.067]	6.00±.60 [.236±.024]	5.50±.40 [.216±.016]	R 2.20 [.087]	6.60 DIA. [.260]		

NOTES:

- 1) MATERIAL: COPPER ALLOY 151, .020/(.50) THICK.
- 2) PLATING:
 - 1 = .000100/(.00254) MIN. *TIN OVER
.000050/(.00127) MIN. NICKEL.
 - 2 = .000030/(.00076) MIN. SELECT GOLD IN CONTACT AREA.
.000100/(.00254) MIN. SELECT *TIN ON SOLDER TAILS
OVER .000050/(.00127) MIN. NICKEL.
 - 4 = .000100/(.00254) MIN. SELECT SILVER IN CONTACT AREA
.000100/(.00254) MIN. SELECT TIN ON SOLDER TAILS
OVER .000050/(.00127) MIN. NICKEL.
- 3) PRODUCT SPEC.: PS-42815-001
- 4) PACKAGING INFORMATION: PK-42815-001.
- 5) PART IS DESIGNED IN METRIC.
- 6) TERMINALS FOR USE WITH STRANDED WIRE ONLY.
- 7) ITEM NUMBERS PRECEDED BY AN "X" IN THE CHART ARE NOT AVAILABLE.
- 8) THE 8 AWG TERMINAL HAS NO INSULATION CRIMP. THE SECONDARY CRIMP SECTION ACTS AS A STRAIN RELIEF ON THE BARE CONDUCTOR ONLY. SEE MOLEX CRIMP SPECIFICATION FOR DETAILS.
- 9) AFTER CRIMPING, THIS DIMENSION IS .140/(3.55) MINIMUM.
- 10) WHEN USING THE 8 AWG TERMINAL WITH "SUPERFLEX WIRE", MOLEX STRONGLY RECOMMENDS THAT THE APPROPRIATELY RATED HEAT SHRINK INSULATION BE APPLIED OVER THE WIRE INSULATION AND CRIMP AREA, AS SHOWN, TO MINIMIZE WIRE INSULATION CREEPAGE OUTSIDE OF HOUSING.
- 11) THE 8AWG TERMINAL WILL ALSO ACCOMODATE 2 12AWG WIRES SEE CRIMP SPEC FOR DETAILS.
- 12) PARTS CONFORM TO CLASS 'B' REQUIREMENT OF COSMETIC SPEC PS-45499-002.
- 13) FOR PLATING OPTION 2 SEE NOTE 2 (OVERALL TIN PLATED PARTS), FOR APPLICATIONS INVOLVING VIBRATION AND/OR THERMAL CYCLING, MOLEX STRONGLY RECOMMENDS TO USE NYE LUBRICANT, NYOGEL 760G LUBRICANT ON THE MATING AREA, AFTER THE TERMINALS ARE INSERTED INTO THE HOUSING, REFER AS-42815-001 FOR ADDITIONAL INFORMATION.
- 14) THIS DRAWING REPLACES SD-42815-* REV. J AND 428150000 REV. A.

THIS DRAWING CONTAINS INFORMATION THAT IS PROPRIETARY TO MOLEX ELECTRONIC TECHNOLOGIES, LLC AND SHOULD NOT BE USED WITHOUT WRITTEN PERMISSION									
DIMENSION UNITS		SCALE		CURRENT REV DESC: REPLACES SD-42815-*					
MM/IN		1:1		EC NO: 612616 DRWN: SGANGADHARDO 2019/02/22 CHK'D: SGANGADHARDO 2019/02/22 APPR: ISHWARG 2019/02/25 INITIAL REVISION: DRWN: RJF 1992/06/01 APPR: RAS 1992/06/01					
GENERAL TOLERANCES (UNLESS SPECIFIED)									
	MM	INCH							
4 PLACES	±		±						
3 PLACES	±		± 0.1						
2 PLACES	±	0.25	± 0.16						
1 PLACE	±	0.4	±						
0 PLACES	±		±						
ANGULAR TOL ± 0.5 °				THIRD ANGLE PROJECTION		DRAWING		SERIES	
DRAFT WHERE APPLICABLE MUST REMAIN WITHIN DIMENSIONS						C-SIZE		42815	
DOCUMENT NUMBER		DOC TYPE		DOC PART		REVISION		SHEET NUMBER	
428150000-SD		PSD		000		A1		2 OF 2	
MATERIAL NUMBER		CUSTOMER		SHEET NUMBER					
SEE CHART		GENERAL MARKET							