

Pluggable terminal block HC201M-5.08专卖

Pluggable terminal block HC201M-5.08专卖

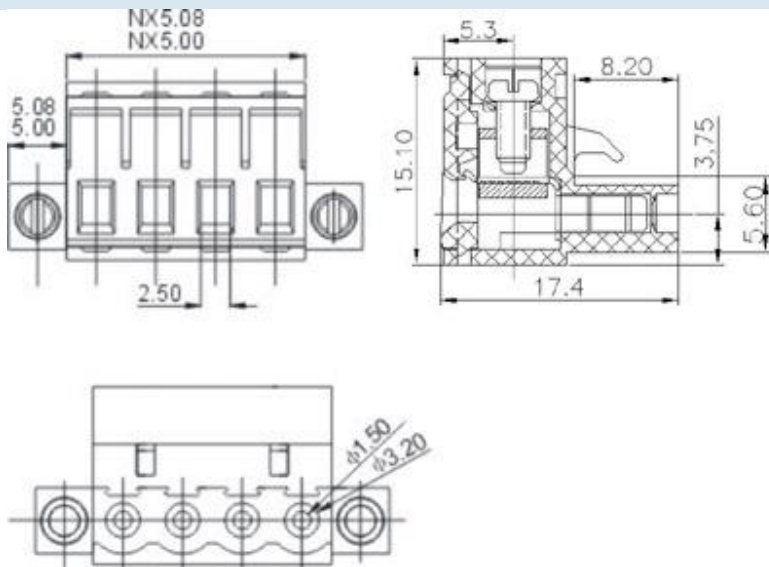


- Category: **Pluggable Terminal Blocks**
- Clicks: 272
- Data: 2014/12/24
- [More](#)

- [Online Inquiry](#)  
[Details](#)

Authenticate		
Electrical Performance		
Reference Standard		IEC
Rated voltage	300V	320V
Rated current	15A	20A
Wire diameter	28-12AWG	2.5mm <sup>2</sup>
Withstand voltage	AC2500V / 1Min	
Mechanical behavior		
Twisting moment	0.4Nm (3.5Lb-In.)	
Ambient temperature	-40 ° C ~ + 105 ° C	

Stripping length	7mm
Size	
Spacing	5.0mm (.197"), 5.08mm (.200")
Poles	2P-22P
Material and Plating	
Plastic	PA66, UL94V-0
Screw	M2.5, Steel, Chrome Cr 3+ color zinc passivated
Contact Material	Phosphor Bronze
Square Box	Brass, nickel plated



Related tags: [Pluggableterminalblock](#)

up: [Pluggable terminal block HC201M-5.0专卖](#)

next: [Pluggable terminal block HC201M-7.5专卖](#)