



## DUAL DIGITAL ISOLATORS

### FEATURES

- 1, 25, and 150-Mbps Signaling Rate Options
  - Low Channel-to-Channel Output Skew; 1 ns max
  - Low Pulse-Width Distortion (PWD); 1 ns max
  - Low Jitter Content; 1 ns Typ at 150 Mbps
- Typical 25-Year Life at Rated Voltage (see app. note [SLLA197](#) and [Figure 19](#))
- 4000-V<sub>peak</sub> Isolation, 560 V peak V<sub>IORM</sub>
  - UL 1577, IEC 60747-5-2 (VDE 0884, Rev 2), IEC 61010-1
  - 50 kV/μs Typical Transient Immunity

- Operates with 3.3-V or 5-V Supplies
- 4 kV ESD Protection
- High Electromagnetic Immunity
- –40°C to 125°C Operating Range

### APPLICATIONS

- Industrial Fieldbus
  - Modbus
  - Profibus™
  - DeviceNet™ Data Buses
- Computer Peripheral Interface
- Servo Control Interface
- Data Acquisition

### DESCRIPTION

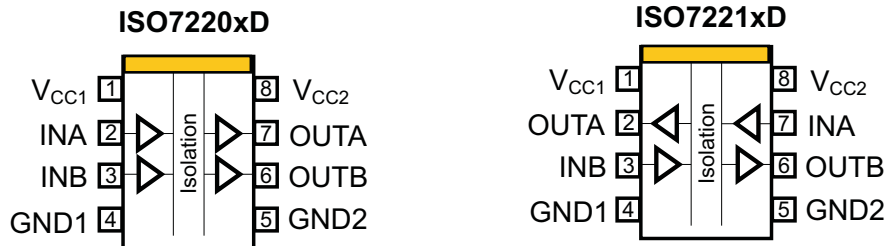
The ISO7220 and ISO7221 are dual-channel digital isolators. To facilitate PCB layout, the channels are oriented in the same direction in the ISO7220 and in opposite directions in the ISO7221. These devices have a logic input and output buffer separated by TI's silicon-dioxide (SiO<sub>2</sub>) isolation barrier, providing galvanic isolation of up to 4000 V. Used in conjunction with isolated power supplies, these devices block high voltage, isolate grounds, and prevent noise currents on a data bus or other circuits from entering the local ground and interfering with or damaging sensitive circuitry.

A binary input signal is conditioned, translated to a balanced signal, then differentiated by the capacitive isolation barrier. Across the isolation barrier, a differential comparator receives the logic transition information, then sets or resets a flip-flop and the output circuit accordingly. A periodic update pulse is sent across the barrier to ensure the proper dc level of the output. If this dc-refresh pulse is not received every 4 μs, the input is assumed to be unpowered or not being actively driven, and the failsafe circuit drives the output to a logic high state.

The small capacitance and resulting time constant provide very fast operation with signaling rates available from 0 Mbps (DC) to 150 Mbps.<sup>(1)</sup>The A- and C-option devices have TTL input thresholds and a noise filter at the input that prevents transient pulses from being passed to the output of the device. The M-option devices have CMOS V<sub>cc</sub>/2 input thresholds and do not have the input noise-filter and the additional propagation delay.

These devices require two supply voltages of 3.3 V, 5 V, or any combination. All inputs are 5-V tolerant when supplied from a 3.3-V supply and all outputs are 4-mA CMOS.

These devices are characterized for operation over the ambient temperature range of –40°C to 125°C.



(1) The signaling rate of a line is the number of voltage transitions that are made per second expressed in the units bps (bits per second).



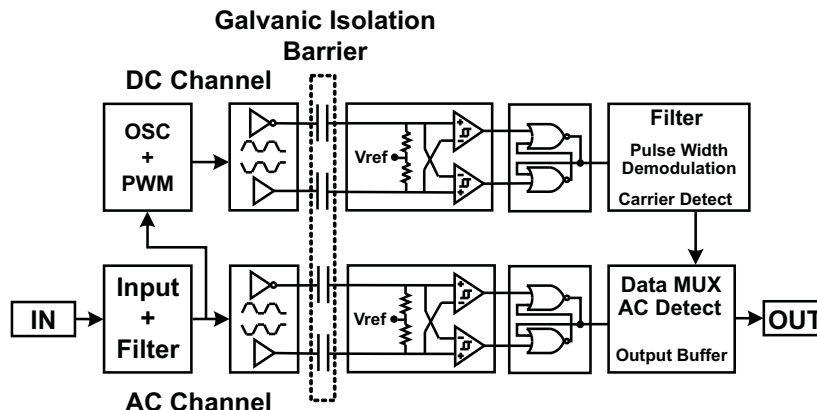
Please be aware that an important notice concerning availability, standard warranty, and use in critical applications of Texas Instruments semiconductor products and disclaimers thereto appears at the end of this data sheet.

DeviceNet is a trademark of Open DeviceNet Vendors Association.



These devices have limited built-in ESD protection. The leads should be shorted together or the device placed in conductive foam during storage or handling to prevent electrostatic damage to the MOS gates.

### SINGLE-CHANNEL FUNCTION DIAGRAM



### AVAILABLE OPTIONS

PRODUCT	SIGNALING RATE	PACKAGE	INPUT THRESHOLD	CHANNEL DIRECTION	MARKED AS	ORDERING NUMBER
ISO7220A	1 Mbps	SOIC-8	≈ 1.5 V (TTL) (CMOS compatible)	Same direction	I7220A	ISO7220AD (rail)
ISO7220C	25 Mbps	SOIC-8	≈ 1.5 V (TTL) (CMOS compatible)			I7220C
						ISO7220CDR (reel)
ISO7220M	150 Mbps	SOIC-8	$V_{CC}/2$ (CMOS)		I7220M	ISO7220MD (rail)
						ISO7220MDR (reel)
ISO7221A	1 Mbps	SOIC-8	≈ 1.5 V (TTL) (CMOS compatible)	Opposite directions	I7221A	ISO7221AD (rail)
ISO7221C	25 Mbps	SOIC-8	≈ 1.5 V (TTL) (CMOS compatible)			TI7221C
						ISO7221CDR (reel)
ISO7221M	150 Mbps	SOIC-8	$V_{CC}/2$ (CMOS)		I7221M	ISO7221MD (rail)
						ISO7221MDR (reel)

### REGULATORY INFORMATION

VDE	CSA	UL
Certified according to IEC 60747-5-2	Approved under CSA Component Acceptance Notice	Recognized under 1577 Component Recognition Program <sup>(1)</sup>
File Number: 40014131	File Number: 1698195	File Number: E181974

(1) Production tested ≥3000 VRMS for 1 second in accordance with UL 1577.

## ABSOLUTE MAXIMUM RATINGS<sup>(1)</sup>

			VALUE	UNIT			
V <sub>CC</sub>	Supply voltage <sup>(2)</sup> , V <sub>CC1</sub> , V <sub>CC2</sub>		–0.5 to 6	V			
V <sub>I</sub>	Voltage at IN, OUT		–0.5 to 6	V			
I <sub>O</sub>	Output current		±15	mA			
ESD	Electrostatic discharge	Human Body Model	Electrostatic discharge JEDEC Standard 22, Test Method A114-C.01	All pins	±4	kV	
		Field-Induced-Charged Device Model					JEDEC Standard 22, Test Method C101
		Machine Model					ANSI/ESDS5.2-1996
T <sub>J</sub>	Maximum junction temperature		170	°C			

- (1) Stresses beyond those listed under *absolute maximum ratings* may cause permanent damage to the device. These are stress ratings only and functional operation of the device at these or any other conditions beyond those indicated under *recommended operating conditions* is not implied. Exposure to absolute-maximum-rated conditions for extended periods may affect device reliability.
- (2) All voltage values except differential I/O bus voltages are with respect to network ground terminal and are peak voltage values.

## RECOMMENDED OPERATING CONDITIONS

			MIN	TYP	MAX	UNIT
V <sub>CC</sub>	Supply voltage, V <sub>CC1</sub> , V <sub>CC2</sub>		4.5		5.5	V
			3		3.6	
I <sub>OH</sub>	High-level output current				4	mA
I <sub>OL</sub>	Low-level output current		–4			mA
t <sub>ui</sub>	Input pulse width	ISO722xA	1			µs
		ISO722xC	40			ns
		ISO722xM	6.67	5		
1/t <sub>ui</sub>	Signaling rate	ISO722xA	0	250	1000	kbps
		ISO722xC	0	30	25	
		ISO722xM	0	200 <sup>(1)</sup>	150	Mbps
V <sub>IH</sub>	High-level input voltage		2		V <sub>CC</sub>	V
V <sub>IL</sub>	Low-level input voltage		0		0.8	V
V <sub>IH</sub>	High-level input voltage		0.7 V <sub>CC</sub>		V <sub>CC</sub>	V
V <sub>IL</sub>	Low-level input voltage			0	0.3 V <sub>CC</sub>	V
T <sub>J</sub>	Junction temperature		–40		150	°C
H	External magnetic field-strength immunity per IEC 61000-4-8 & IEC 61000-4-9 certification				1000	A/m

- (1) Typical signalling rate under ideal conditions at 25°C.

## ELECTRICAL CHARACTERISTICS

$V_{CC1}$  and  $V_{CC2}$  at 5-V operation, over recommended operating conditions (unless otherwise noted)

PARAMETER		TEST CONDITIONS		MIN	TYP	MAX	UNIT
<b>SUPPLY CURRENT</b>							
$I_{CC1}$	ISO7220A, ISO7220C, ISO7220M	Quiescent	$V_I = V_{CC}$ or 0 V, no load		1	2	mA
	ISO7221A, ISO7221C, ISO7221M				8.5	17	
	ISO7220A	1 Mbps	$V_I = V_{CC}$ or 0 V, no load		2	3	
	ISO7221A				10	18	
	ISO7220C, ISO7220M	25 Mbps	$V_I = V_{CC}$ or 0 V, no load		4	9	
	ISO7221C, ISO7221M				12	22	
$I_{CC2}$	ISO7220A, ISO7220C, ISO7220M	Quiescent	$V_I = V_{CC}$ or 0 V, no load		16	31	
	ISO7221A, ISO7221C, ISO7221M				8.5	17	
	ISO7220A	1 Mbps	$V_I = V_{CC}$ or 0 V, no load		17	32	
	ISO7221A				10	18	
	ISO7220C, ISO7220M	25 Mbps	$V_I = V_{CC}$ or 0 V, no load		20	34	
	ISO7221C, ISO7221M				12	22	
$V_{OH}$	High-level output voltage	$I_{OH} = -4$ mA, See <a href="#">Figure 1</a>		$V_{CC} - 0.8$	4.6		V
		$I_{OH} = -20$ $\mu$ A, See <a href="#">Figure 1</a>		$V_{CC} - 0.1$	5		
$V_{OL}$	Low-level output voltage	$I_{OL} = 4$ mA, See <a href="#">Figure 1</a>			0.2	0.4	V
		$I_{OL} = 20$ $\mu$ A, See <a href="#">Figure 1</a>			0	0.1	
$V_{I(HYS)}$	Input voltage hysteresis				150		mV
$I_{IH}$	High-level input current	IN from 0 V to $V_{CC}$				10	$\mu$ A
$I_{IL}$	Low-level input current				-10		
$C_I$	Input capacitance to ground	IN at $V_{CC}$ , $V_I = 0.4 \sin(4E6\pi t)$			1		pF
CMTI	Common-mode transient immunity	$V_I = V_{CC}$ or 0 V, See <a href="#">Figure 3</a>		25	50		kV/ $\mu$ s

## SWITCHING CHARACTERISTICS

$V_{CC1}$  and  $V_{CC2}$  at 5-V operation, over recommended operating conditions (unless otherwise noted)

PARAMETER		TEST CONDITIONS		MIN	TYP	MAX	UNIT
$t_{pLH}$ , $t_{pHL}$	Propagation delay	ISO722xA	See <a href="#">Figure 1</a>	280	405	475	ns
	PWD			Pulse-width distortion $ t_{pHL} - t_{pLH} ^{(1)}$		1	
$t_{pLH}$ , $t_{pHL}$	Propagation delay	ISO722xC		22	32	42	
	PWD			Pulse-width distortion $ t_{pHL} - t_{pLH} ^{(1)}$		1	
$t_{pLH}$ , $t_{pHL}$	Propagation delay	ISO722xM		6	10	16	
	PWD			Pulse-width distortion $ t_{pHL} - t_{pLH} ^{(1)}$		0.5	
$t_{sk(pp)}$	Part-to-part skew <sup>(2)</sup>	ISO722xA				180	ns
		ISO722xC				10	
		ISO722xM				3	
$t_{sk(o)}$	Channel-to-channel output skew <sup>(3)</sup>	ISO7220A			3	15	ns
		ISO7220C/M			0.2	1	
$t_r$	Output signal rise time	See <a href="#">Figure 1</a>			1	ns	
$t_f$	Output signal fall time				1		
$t_{fs}$	Failsafe output delay time from input power loss	See <a href="#">Figure 2</a>			3	$\mu$ s	

(1) Also referred to as pulse skew.

(2)  $t_{sk(pp)}$  is the magnitude of the difference in propagation delay times between any specified terminals of two devices when both devices operate with the same supply voltages, at the same temperature, and have identical packages and test circuits.

(3)  $t_{sk(o)}$  is the skew between specified outputs of a single device with all driving inputs connected together and the outputs switching in the same direction while driving identical specified loads.

## SWITCHING CHARACTERISTICS (continued)

$V_{CC1}$  and  $V_{CC2}$  at 5-V operation, over recommended operating conditions (unless otherwise noted)

PARAMETER		TEST CONDITIONS	MIN	TYP	MAX	UNIT
$t_{jit(pp)}$	Peak-to-peak eye-pattern jitter	ISO722xM	150 Mbps PRBS NRZ data, 5-bit max same polarity input, both channels, See <a href="#">Figure 4</a> , <a href="#">Figure 16</a>	1		ns
				2		

## ELECTRICAL CHARACTERISTICS

$V_{CC1}$  at 5 V,  $V_{CC2}$  at 3.3 V operation, over recommended operating conditions (unless otherwise noted)

PARAMETER		TEST CONDITIONS	MIN	TYP	MAX	UNIT
<b>SUPPLY CURRENT</b>						
$I_{CC1}$	ISO7220A, ISO7220C, ISO7220M	Quiescent	$V_I = V_{CC}$ or 0 V, no load	1	2	mA
	ISO7221A, ISO7221C, ISO7221M			8.5	17	
	ISO7220A	1 Mbps	$V_I = V_{CC}$ or 0 V, no load	2	3	
	ISO7221A			10	18	
	ISO7220C, ISO7220M	25 Mbps	$V_I = V_{CC}$ or 0 V, no load	4	9	
	ISO7221C, ISO7221M			12	22	
$I_{CC2}$	ISO7220A, ISO7220C, ISO7220M	Quiescent	$V_I = V_{CC}$ or 0 V, no load	8	18	
	ISO7221A, ISO7221C, ISO7221M			4.3	9.5	
	ISO7220A	1 Mbps	$V_I = V_{CC}$ or 0 V, no load	9	19	
	ISO7221A			5	11	
	ISO7220C, ISO7220M	25 Mbps	$V_I = V_{CC}$ or 0 V, no load	10	20	
	ISO7221C, ISO7221M			6	12	
$V_{OH}$	High-level output voltage	ISO7220x	$I_{OH} = -4$ mA, See <a href="#">Figure 1</a>	$V_{CC} - 0.4$		V
		ISO7221x (5-V side)		$V_{CC} - 0.8$		
				$V_{CC} - 0.1$		
$V_{OL}$	Low-level output voltage		$I_{OL} = 4$ mA, See <a href="#">Figure 1</a>	0.4		V
			$I_{OL} = 20$ $\mu$ A, See <a href="#">Figure 1</a>	0.1		
$V_{I(HYS)}$	Input voltage hysteresis			150		mV
$I_{IH}$	High-level input current		IN from 0 V to $V_{CC}$		10	$\mu$ A
$I_{IL}$	Low-level input current			-10		
$C_i$	Input capacitance to ground		IN at $V_{CC}$ , $V_I = 0.4 \sin(4E6\pi t)$	1		pF
CMTI	Common-mode transient immunity		$V_I = V_{CC}$ or 0 V, See <a href="#">Figure 3</a>	15	40	kV/ $\mu$ s

## SWITCHING CHARACTERISTICS

$V_{CC1}$  at 5 V,  $V_{CC2}$  at 3.3 V operation, over recommended operating conditions (unless otherwise noted)

PARAMETER		TEST CONDITIONS	MIN	TYP	MAX	UNIT
$t_{pLH}$ , $t_{pHL}$	Propagation delay	See <a href="#">Figure 1</a>	285	410	480	ns
PWD	Pulse-width distortion $ t_{pHL} - t_{pLH} ^{(1)}$			1	14	
$t_{pLH}$ , $t_{pHL}$	Propagation delay		25	36	48	
PWD	Pulse-width distortion $ t_{pHL} - t_{pLH} ^{(1)}$			1	2	
$t_{pLH}$ , $t_{pHL}$	Propagation delay		7	12	20	
PWD	Pulse-width distortion $ t_{pHL} - t_{pLH} ^{(1)}$			0.5	1	
$t_{sk(pp)}$	Part-to-part skew <sup>(2)</sup>	ISO722xA			180	ns
		ISO722xC			10	
		ISO722xM			5	
$t_{sk(o)}$	Channel-to-channel output skew <sup>(3)</sup>	ISO7220A		3	15	ns
		ISO7220C/M		0.2	1	
$t_r$	Output signal rise time	See <a href="#">Figure 1</a>		2		ns
$t_f$	Output signal fall time			2		
$t_{fs}$	Failsafe output delay time from input power loss	See <a href="#">Figure 2</a>		3		$\mu$ s
$t_{jit(pp)}$	Peak-to-peak eye-pattern jitter	ISO722xM	150 Mbps PRBS NRZ data, 5-bit max same polarity input, both channels, See <a href="#">Figure 4</a> , <a href="#">Figure 16</a>		1	ns
			150 Mbps unrestricted bit run length data input, both channels, See <a href="#">Figure 4</a>		2	

(1) Also referred to as pulse skew.

(2)  $t_{sk(pp)}$  is the magnitude of the difference in propagation delay times between any specified terminals of two devices when both devices operate with the same supply voltages, at the same temperature, and have identical packages and test circuits.

(3)  $t_{sk(o)}$  is the skew between specified outputs of a single device with all driving inputs connected together and the outputs switching in the same direction while driving identical specified loads.

## ELECTRICAL CHARACTERISTICS

$V_{CC1}$  at 3.3 V,  $V_{CC2}$  at 5 V operation, over recommended operating conditions (unless otherwise noted)

PARAMETER		TEST CONDITIONS		MIN	TYP	MAX	UNIT
<b>SUPPLY CURRENT</b>							
$I_{CC1}$	ISO7220A, ISO7220C, ISO7220M	Quiescent	$V_I = V_{CC}$ or 0 V, no load		0.6	1	mA
	ISO7221A, ISO7221C, ISO7221M				4.3	9.5	
	ISO7220A	1 Mbps	$V_I = V_{CC}$ or 0 V, no load		1	2	
	ISO7221A				5	11	
	ISO7220C, ISO7220M	25 Mbps	$V_I = V_{CC}$ or 0 V, no load		2	4	
	ISO7221C, ISO7221M				6	12	
$I_{CC2}$	ISO7220A, ISO7220C, ISO7220M	Quiescent	$V_I = V_{CC}$ or 0 V, no load		16	31	
	ISO7221A, ISO7221C, ISO7221M				8.5	17	
	ISO7220A	1 Mbps	$V_I = V_{CC}$ or 0 V, no load		18	32	
	ISO7221A				10	18	
	ISO7220C, ISO7220M	25 Mbps	$V_I = V_{CC}$ or 0 V, no load		20	34	
	ISO7221C, ISO7221M				12	22	
$V_{OH}$	High-level output voltage	ISO7220x		$V_{CC} - 0.8$		V	
		ISO7221x (3.3-V side)	$I_{OH} = -4$ mA, See <a href="#">Figure 1</a>	$V_{CC} - 0.4$			
			$I_{OH} = -20$ $\mu$ A, See <a href="#">Figure 1</a>	$V_{CC} - 0.1$			
$V_{OL}$	Low-level output voltage		$I_{OL} = 4$ mA, See <a href="#">Figure 1</a>			0.4	
			$I_{OL} = 20$ $\mu$ A, See <a href="#">Figure 1</a>		0	0.1	
$V_{I(HYS)}$	Input threshold voltage hysteresis				150	mV	
$I_{IH}$	High-level input current		IN from 0 V or $V_{CC}$			10	
$I_{IL}$	Low-level input current				-10		$\mu$ A
$C_I$	Input capacitance to ground		IN at $V_{CC}$ , $V_I = 0.4 \sin(4E6\pi t)$		1	pF	
CMTI	Common-mode transient immunity		$V_I = V_{CC}$ or 0 V, See <a href="#">Figure 3</a>	15	40	kV/ $\mu$ s	

## SWITCHING CHARACTERISTICS

$V_{CC1}$  at 3.3 V,  $V_{CC2}$  at 5 V operation, over recommended operating conditions (unless otherwise noted)

PARAMETER		TEST CONDITIONS		MIN	TYP	MAX	UNIT
$t_{pLH}$ , $t_{pHL}$	Propagation delay	ISO722xA	See <a href="#">Figure 1</a>	285	395	480	ns
		PWD		Pulse-width distortion $ t_{pHL} - t_{pLH} ^{(1)}$		1	
$t_{pLH}$ , $t_{pHL}$	Propagation delay	ISO722xC		25	36	48	
		PWD		Pulse-width distortion $ t_{pHL} - t_{pLH} ^{(1)}$		1	
$t_{pLH}$ , $t_{pHL}$	Propagation delay	ISO722xM		7	12	21	
		PWD		Pulse-width distortion $ t_{pHL} - t_{pLH} ^{(1)}$		0.5	
$t_{sk(pp)}$	Part-to-part skew <sup>(2)</sup>	ISO722xA				190	
		ISO722xC				10	
		ISO722xM				5	
$t_{sk(o)}$	Channel-to-channel output skew <sup>(3)</sup>	ISO7220A			3	15	
		ISO7220C/M		0.2	1		
$t_r$	Output signal rise time		See <a href="#">Figure 1</a>	1			
$t_f$	Output signal fall time		See <a href="#">Figure 1</a>	1			
$t_{is}$	Failsafe output delay time from input power loss		See <a href="#">Figure 2</a>	3		$\mu$ s	

(1) Also referred to as pulse skew.

(2)  $t_{sk(pp)}$  is the magnitude of the difference in propagation delay times between any specified terminals of two devices when both devices operate with the same supply voltages, at the same temperature, and have identical packages and test circuits.

(3)  $t_{sk(o)}$  is the skew between specified outputs of a single device with all driving inputs connected together and the outputs switching in the same direction while driving identical specified loads.

## SWITCHING CHARACTERISTICS (continued)

$V_{CC1}$  at 3.3 V,  $V_{CC2}$  at 5 V operation, over recommended operating conditions (unless otherwise noted)

PARAMETER		TEST CONDITIONS	MIN	TYP	MAX	UNIT
$t_{jitter(pp)}$	Peak-to-peak eye-pattern jitter	ISO722xM	150 Mbps PRBS NRZ data, 5-bit max same polarity input, both channels, See <a href="#">Figure 4</a> , <a href="#">Figure 16</a>		1	ns
			150 Mbps unrestricted bit run length data input, both channels, See <a href="#">Figure 4</a>		2	

## ELECTRICAL CHARACTERISTICS

$V_{CC1}$  and  $V_{CC2}$  at 3.3 V operation, over recommended operating conditions (unless otherwise noted)

PARAMETER		TEST CONDITIONS	MIN	TYP	MAX	UNIT
<b>SUPPLY CURRENT</b>						
$I_{CC1}$	ISO7220A, ISO7220C, ISO7220M	Quiescent	$V_I = V_{CC}$ or 0 V, no load	0.6	1	mA
	ISO7221A, ISO7221C, ISO7221M			4.3	9.5	
	ISO7220A	1 Mbps	$V_I = V_{CC}$ or 0 V, no load	1	2	
	ISO7221A			5	11	
	ISO7220C, ISO7220M	25 Mbps	$V_I = V_{CC}$ or 0 V, no load	2	4	
	ISO7221C, ISO7221M			6	12	
$I_{CC2}$	ISO7220A, ISO7220C, ISO7220M	Quiescent	$V_I = V_{CC}$ or 0 V, no load	8	18	
	ISO7221A, ISO7221C, ISO7221M			4.3	9.5	
	ISO7220A	1 Mbps	$V_I = V_{CC}$ or 0 V, no load	9	19	
	ISO7221A			5	11	
	ISO7220C, ISO7220M	25 Mbps	$V_I = V_{CC}$ or 0 V, no load	10	20	
	ISO7221C, ISO7221M			6	12	
$V_{OH}$	High-level output voltage	$I_{OH} = -4$ mA, See <a href="#">Figure 1</a>	$V_{CC} - 0.4$	3	V	
		$I_{OH} = -20$ $\mu$ A, See <a href="#">Figure 1</a>	$V_{CC} - 0.1$	3.3		
$V_{OL}$	Low-level output voltage	$I_{OL} = 4$ mA, See <a href="#">Figure 1</a>	0.2	0.4	V	
		$I_{OL} = 20$ $\mu$ A, See <a href="#">Figure 1</a>	0	0.1		
$V_{I(HYS)}$	Input voltage hysteresis		150		mV	
$I_{IH}$	High-level input current	IN from 0 V or $V_{CC}$		10	$\mu$ A	
$I_{IL}$	Low-level input current		-10			
$C_i$	Input capacitance to ground	IN at $V_{CC}$ , $V_I = 0.4 \sin(4E6\pi t)$		1	pF	
CMTI	Common-mode transient immunity	$V_I = V_{CC}$ or 0 V, See <a href="#">Figure 3</a>	15	40	kV/ $\mu$ s	



## SWITCHING CHARACTERISTICS

$V_{CC1}$  and  $V_{CC2}$  at 3.3 V operation, over recommended operating conditions (unless otherwise noted)

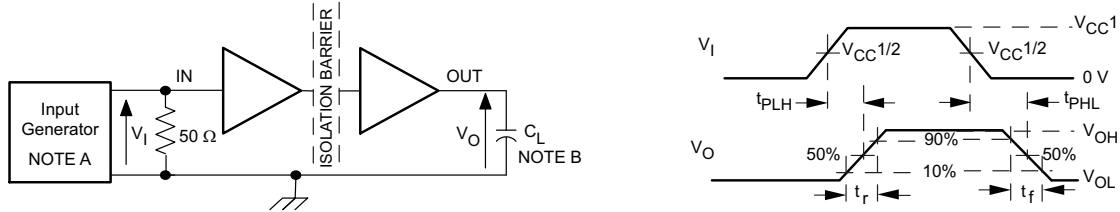
PARAMETER		TEST CONDITIONS	MIN	TYP	MAX	UNIT
$t_{pLH}$ , $t_{pHL}$	Propagation delay	See <a href="#">Figure 1</a>	290	400	485	ns
PWD	Pulse-width distortion $ t_{pHL} - t_{pLH} ^{(1)}$			1	18	
$t_{pLH}$ , $t_{pHL}$	Propagation delay		26	40	52	
PWD	Pulse-width distortion $ t_{pHL} - t_{pLH} ^{(1)}$			1	3	
$t_{pLH}$ , $t_{pHL}$	Propagation delay		8	16	25	
PWD	Pulse-width distortion $ t_{pHL} - t_{pLH} ^{(1)}$			0.5	1	
$t_{sk(pp)}$	Part-to-part skew <sup>(2)</sup>	ISO722xA			190	
		ISO722xC			10	
		ISO722xM			5	
$t_{sk(o)}$	Channel-to-channel output skew <sup>(3)</sup>	ISO7220A		3	15	
		ISO7220C/M		0.2	1	
$t_r$	Output signal rise time	See <a href="#">Figure 1</a>		2		
$t_f$	Output signal fall time			2		
$t_{fs}$	Failsafe output delay time from input power loss	See <a href="#">Figure 2</a>		3		$\mu$ s
$t_{jit(pp)}$	Peak-to-peak eye-pattern jitter	ISO722xM	150 Mbps PRBS NRZ data, 5-bit max same polarity input, both channels, See <a href="#">Figure 4</a> , <a href="#">Figure 16</a>		1	ns
			150 Mbps unrestricted bit run length data input, both channels, See <a href="#">Figure 4</a>		2	

(1) Also referred to as pulse skew.

(2)  $t_{sk(pp)}$  is the magnitude of the difference in propagation delay times between any specified terminals of two devices when both devices operate with the same supply voltages, at the same temperature, and have identical packages and test circuits.

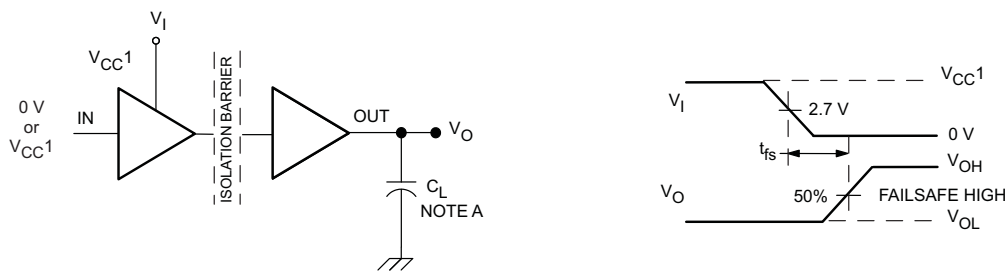
(3)  $t_{sk(o)}$  is the skew between specified outputs of a single device with all driving inputs connected together and the outputs switching in the same direction while driving identical specified loads.

PARAMETER MEASUREMENT INFORMATION



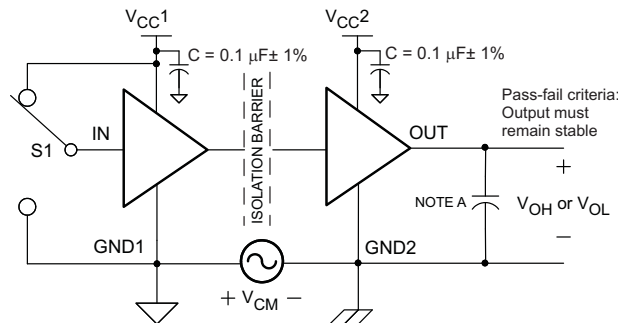
- A. The input pulse is supplied by a generator having the following characteristics: PRR ≤ 50 kHz, 50% duty cycle,  $t_r \leq 3$  ns,  $t_f \leq 3$  ns,  $Z_0 = 50\Omega$ .
- B.  $C_L = 15$  pF and includes instrumentation and fixture capacitance within  $\pm 20\%$ .

Figure 1. Switching Characteristic Test Circuit and Voltage Waveforms



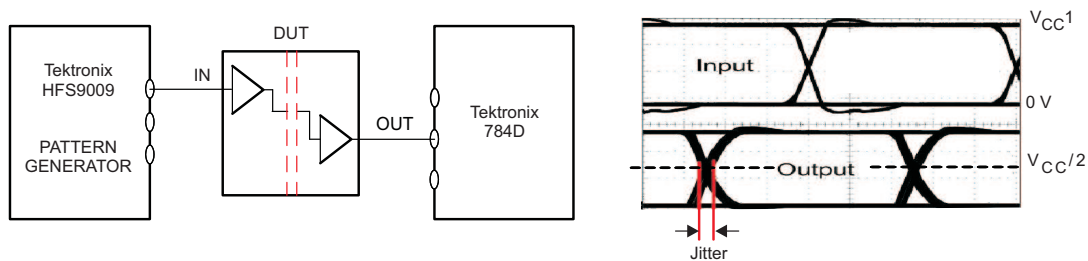
- A.  $C_L = 15$  pF and includes instrumentation and fixture capacitance within  $\pm 20\%$ .

Figure 2. Failsafe Delay Time Test Circuit and Voltage Waveforms



- A.  $C_L = 15$  pF and includes instrumentation and fixture capacitance within  $\pm 20\%$ .

Figure 3. Common-Mode Transient Immunity Test Circuit



NOTE: PRBS bit pattern run length is  $2^{16} - 1$ . Transition time is 800 ps.

Figure 4. Peak-to-Peak Eye-Pattern Jitter Test Circuit and Voltage Waveform

## DEVICE INFORMATION

### IEC PACKAGE CHARACTERISTICS

PARAMETER		TEST CONDITIONS	MIN	TYP	MAX	UNIT
L(I01)	Minimum air gap (Clearance)	Shortest terminal-to-terminal distance through air	4.8			mm
L(I02)	Minimum external tracking (Creepage)	Shortest terminal-to-terminal distance across the package surface	4.3			mm
CTI	Tracking resistance (Comparative Tracking Index)	DIN IEC 60112 / VDE 0303 Part 1	≥175			V
	Minimum Internal Gap (Internal Clearance)	Distance through the insulation	0.008			mm
R <sub>IO</sub>	Isolation resistance	Input to output, V <sub>IO</sub> = 500 V, all pins on each side of the barrier tied together creating a two-terminal device, T <sub>A</sub> < 100°C	>10 <sup>12</sup>			Ω
		Input to output, V <sub>IO</sub> = 500 V, 100°C ≤ T <sub>A</sub> ≤ max	>10 <sup>11</sup>			Ω
C <sub>IO</sub>	Barrier capacitance Input to output	V <sub>I</sub> = 0.4 sin (4E6πt)		1		pF
C <sub>I</sub>	Input capacitance to ground	V <sub>I</sub> = 0.4 sin (4E6πt)		1		pF

**NOTE:** Creepage and clearance requirements should be applied according to the specific equipment isolation standards of an application. Care should be taken to maintain the creepage and clearance distance of a board design to ensure that the mounting pads of the isolator on the printed circuit board do not reduce this distance.

Creepage and clearance on a printed circuit board become equal according to the measurement techniques shown in the [Isolation Glossary](#). Techniques such as inserting grooves and/or ribs on a printed circuit board are used to help increase these specifications.

### IEC 60664-1 RATINGS TABLE

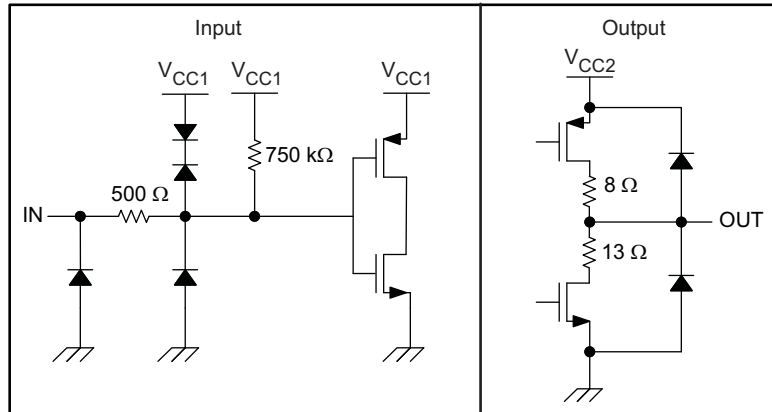
PARAMETER	TEST CONDITIONS	SPECIFICATION
Basic isolation group	Material group	IIIa
Installation classification	Rated mains voltage ≤150 VRMS	I-IV
	Rated mains voltage ≤300 VRMS	I-III
	Rated mains voltage ≤400 VRMS	I-II

### IEC 60747-5-2 INSULATION CHARACTERISTICS<sup>(1)</sup>

PARAMETER	TEST CONDITIONS	SPECIFICATION	UNIT	
V <sub>IORM</sub>	Maximum working insulation voltage	560	V	
V <sub>PR</sub>	Input to output test voltage	Method b1, V <sub>PR</sub> = V <sub>IORM</sub> × 1.875, 100% Production test with t = 1 s, Partial discharge <5 pC		1050
V <sub>IOTM</sub>	Transient overvoltage	t = 60 s		4000
R <sub>S</sub>	Insulation resistance	V <sub>IO</sub> = 500 V at T <sub>S</sub>	>10 <sup>9</sup>	Ω
	Pollution degree		2	

(1) Climatic Classification 40/125/21

## DEVICE I/O SCHEMATICS



## IEC SAFETY LIMITING VALUES

Safety limiting intends to prevent potential damage to the isolation barrier upon failure of input or output circuitry. A failure of the IO can allow low resistance to ground or the supply and, without current limiting, dissipate sufficient power to overheat the die and damage the isolation barrier potentially leading to secondary system failures.

PARAMETER		TEST CONDITIONS	MIN	TYP	MAX	UNIT	
$I_S$	Safety input, output, or supply current		SOIC-8	$\theta_{JA} = 212^\circ\text{C/W}$ , $V_I = 5.5\text{ V}$ , $T_J = 170^\circ\text{C}$ , $T_A = 25^\circ\text{C}$			124
		$\theta_{JA} = 212^\circ\text{C/W}$ , $V_I = 3.6\text{ V}$ , $T_J = 170^\circ\text{C}$ , $T_A = 25^\circ\text{C}$			190		
$T_S$	Maximum case temperature	SOIC-8			150	$^\circ\text{C}$	

The safety-limiting constraint is the absolute maximum junction temperature specified in the absolute maximum ratings table. The power dissipation and junction-to-air thermal impedance of the device installed in the application hardware determines the junction temperature. The assumed junction-to-air thermal resistance in the Thermal Characteristics table is that of a device installed in the JESD51-3, Low Effective Thermal Conductivity Test Board for Leaded Surface Mount Packages and is conservative. The power is the recommended maximum input voltage times the current. The junction temperature is then the ambient temperature plus the power times the junction-to-air thermal resistance.

## SOIC-8 PACKAGE THERMAL CHARACTERISTICS

over recommended operating conditions (unless otherwise noted)

PARAMETER		TEST CONDITIONS	MIN	TYP	MAX	UNIT
$\theta_{JA}$	Junction-to-air	Low-K Thermal Resistance <sup>(1)</sup>		212		°C/W
		High-K Thermal Resistance		122		
$\theta_{JB}$	Junction-to-Board Thermal Resistance			37		
$\theta_{JC}$	Junction-to-Case Thermal Resistance			69.1		
$P_D$	Device Power Dissipation	ISO722xM $V_{CC1} = V_{CC2} = 5.5\text{ V}$ , $T_J = 150^\circ\text{C}$ , $C_L = 15\text{ pF}$ , Input a 150 Mbps 50% duty cycle square wave			390	mW

(1) Tested in accordance with the Low-K or High-K thermal metric definitions of EIA/JESD51-3 for leaded surface mount packages.

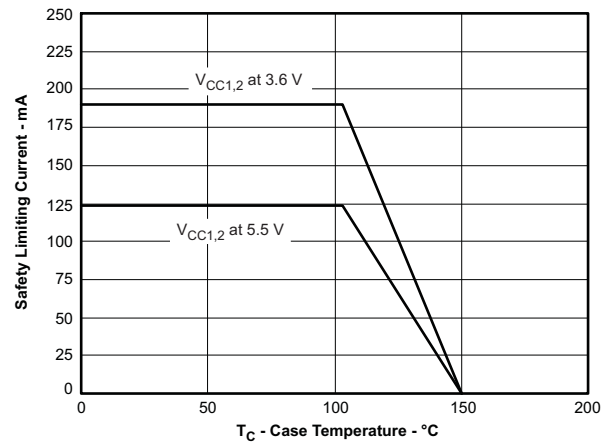


Figure 5. SOIC-8  $\theta_{JC}$  THERMAL DERATING CURVE per IEC 60747-5-2

## DEVICE FUNCTION TABLE

Table 1. ISO7220x or ISO7221x<sup>(1)</sup>

INPUT SIDE $V_{CC}$	OUTPUT SIDE $V_{CC}$	INPUT IN	OUTPUT OUT
PU	PU	H	H
		L	L
		Open	H
PD	PU	X	H

(1) PU = Powered Up ( $V_{CC} \geq 3.0\text{V}$ ); PD = Powered Down ( $V_{CC} \leq 2.5\text{V}$ ); X = Irrelevant; H = High Level; L = Low Level

TYPICAL CHARACTERISTIC CURVES

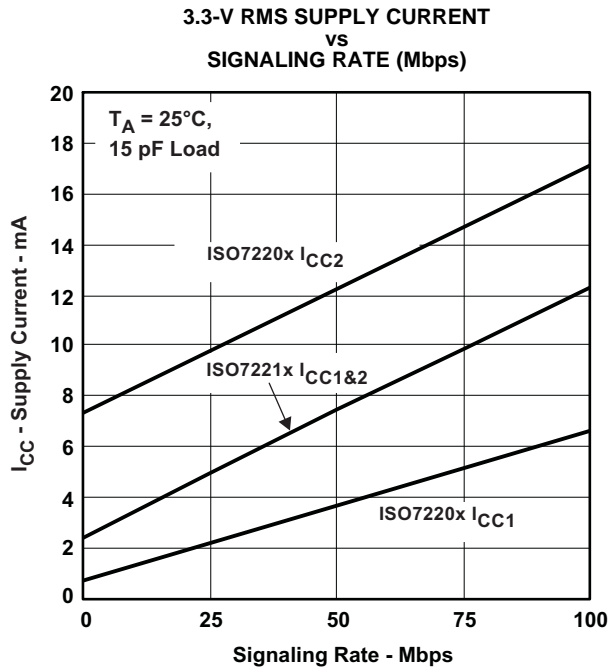


Figure 6.

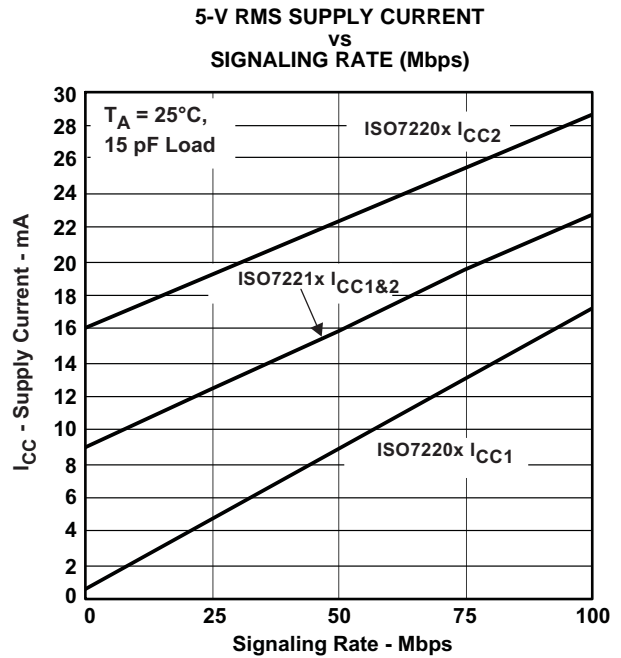


Figure 7.

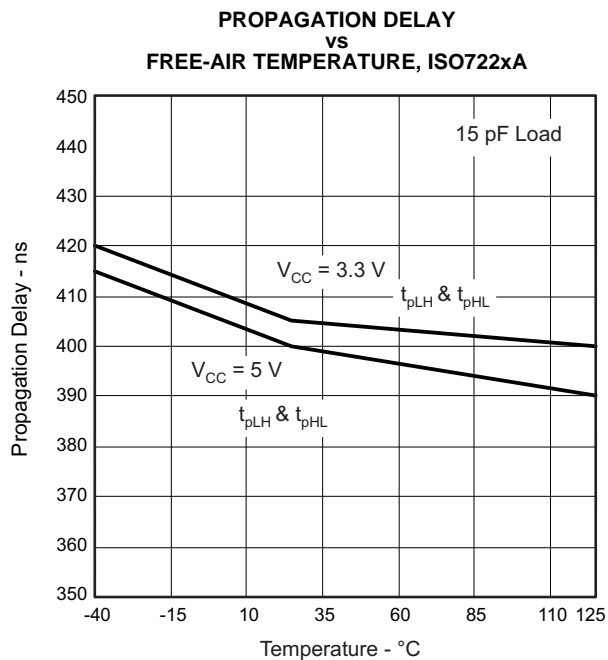


Figure 8.

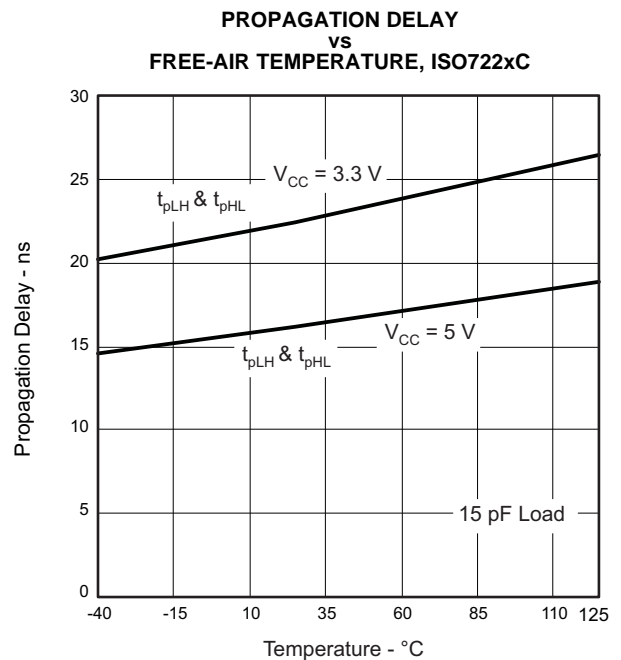


Figure 9.

**TYPICAL CHARACTERISTIC CURVES (continued)**

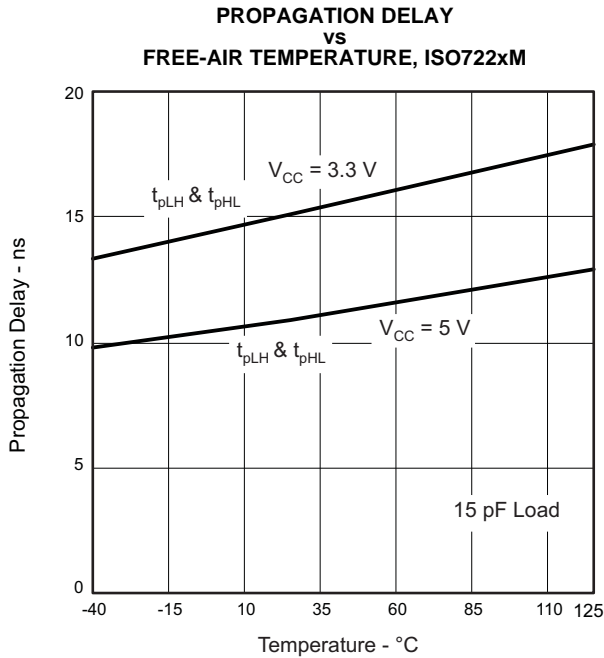


Figure 10.

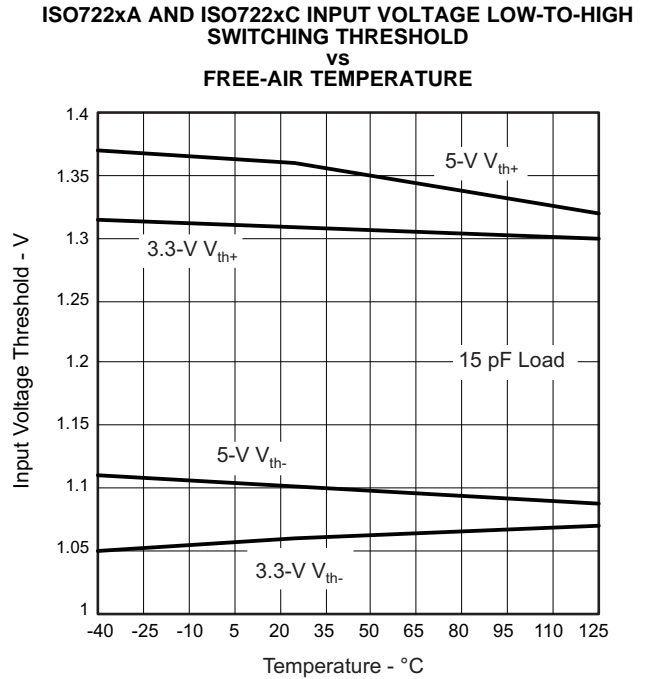


Figure 11.

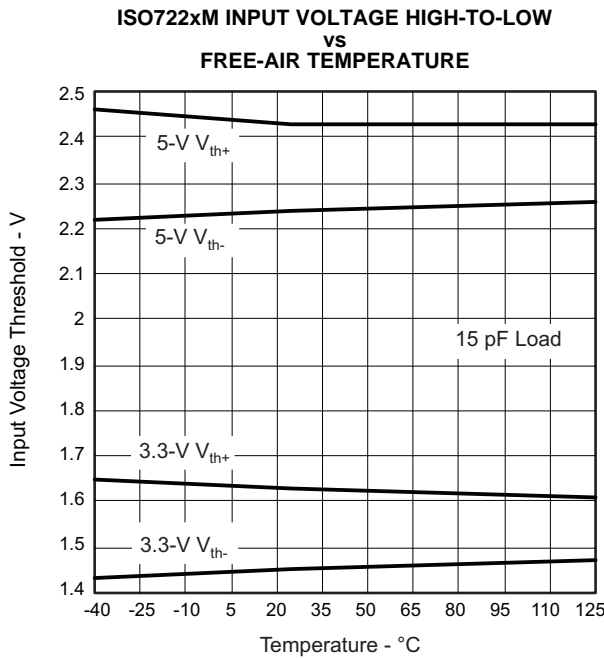


Figure 12.

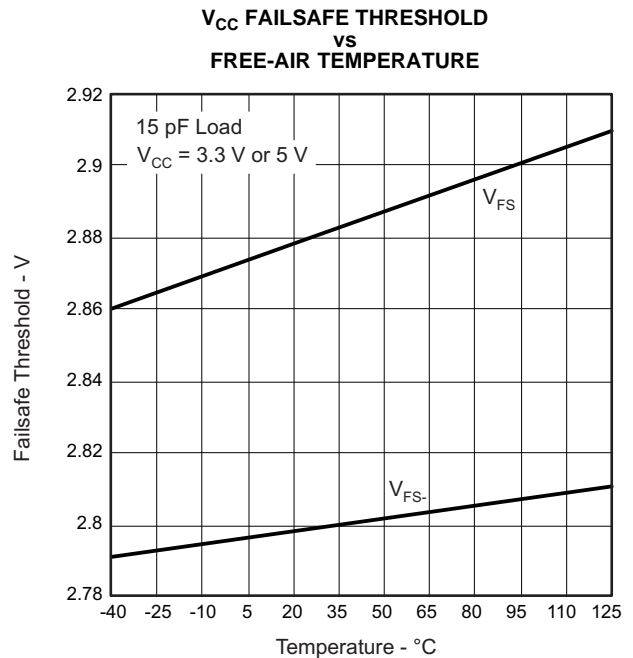


Figure 13.

TYPICAL CHARACTERISTIC CURVES (continued)

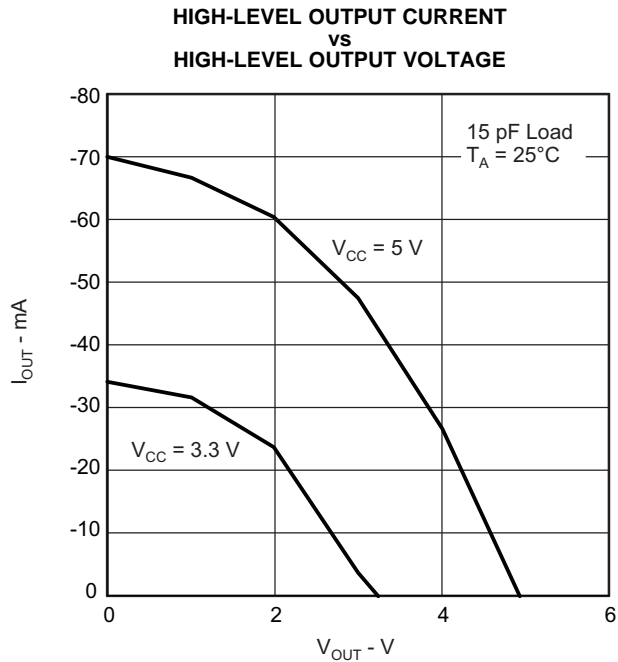


Figure 14.

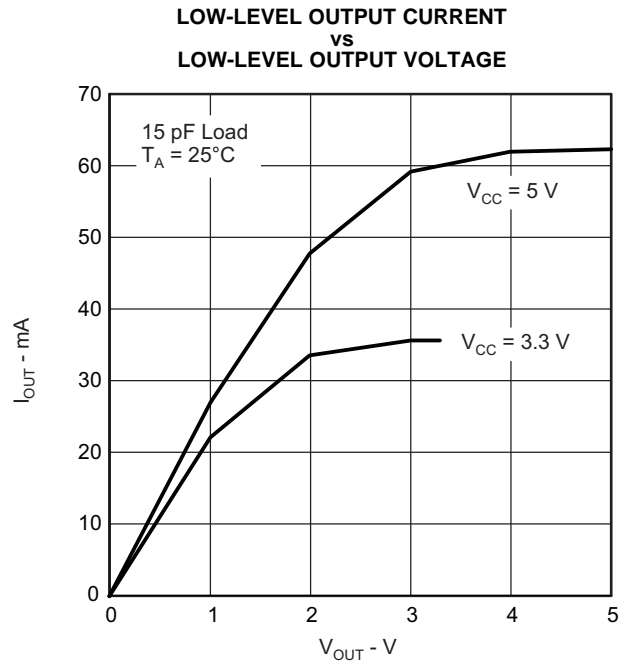


Figure 15.

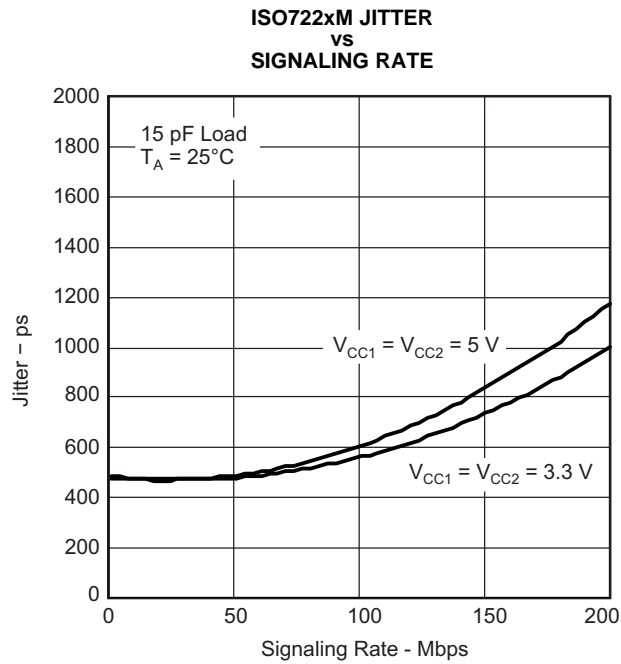
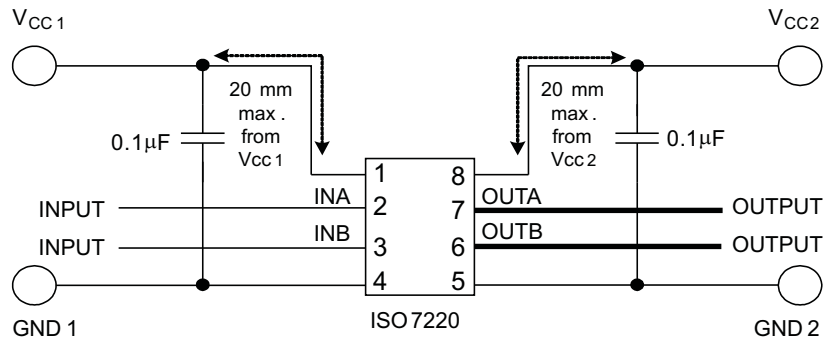


Figure 16.

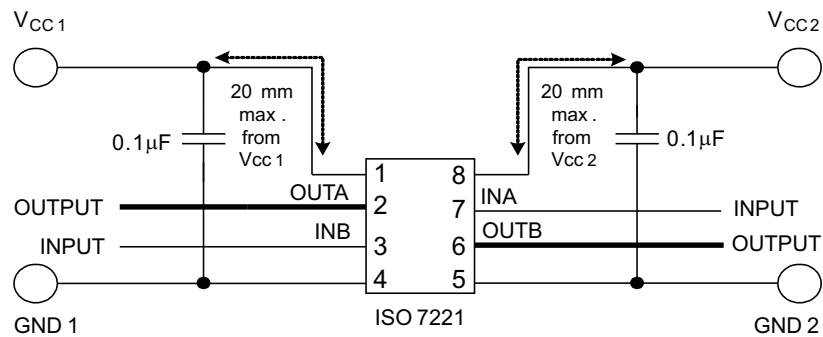


**APPLICATION INFORMATION**

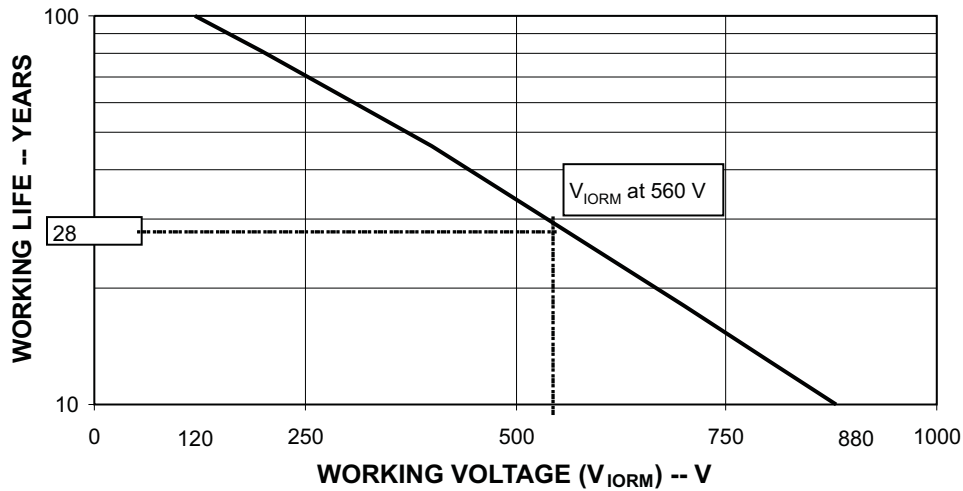
**Typical Applications**



**Figure 17. Typical ISO7220 Application Circuit**



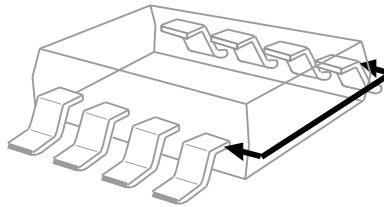
**Figure 18. Typical ISO7221 Application Circuit**



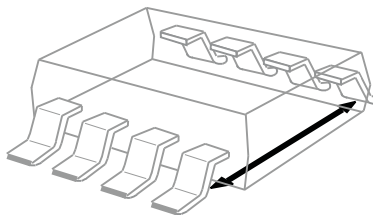
**Figure 19. Time Dependent Dielectric Breakdown Test Results**

## ISOLATION GLOSSARY

**Creepage Distance** — The shortest path between two conductive input to output leads measured along the surface of the insulation. The shortest distance path is found around the end of the package body.



**Clearance** — The shortest distance between two conductive input to output leads measured through air (line of sight).



**Input-to Output Barrier Capacitance** -- The total capacitance between all input terminals connected together, and all output terminals connected together.

**Input-to Output Barrier Resistance** -- The total resistance between all input terminals connected together, and all output terminals connected together.

**Primary Circuit** -- An internal circuit directly connected to an external supply mains or other equivalent source which supplies the primary circuit electric power.

**Secondary Circuit** -- A circuit with no direct connection to primary power, and derives its power from a separate isolated source.

**Comparative Tracking Index (CTI)** -- CTI is an index used for electrical insulating materials which is defined as the numerical value of the voltage which causes failure by tracking during standard testing. Tracking is the process that produces a partially conducting path of localized deterioration on or through the surface of an insulating material as a result of the action of electric discharges on or close to an insulation surface -- the higher CTI value of the insulating material, the smaller the minimum creepage distance.

Generally, insulation breakdown occurs either through the material, over its surface, or both. Surface failure may arise from flashover or from the progressive degradation of the insulation surface by small localized sparks. Such sparks are the result of the breaking of a surface film of conducting contaminant on the insulation. The resulting break in the leakage current produces an overvoltage at the site of the discontinuity, and an electric spark is generated. These sparks often cause carbonization on insulation material and lead to a carbon track between points of different potential. This process is known as *tracking*.

---

## ISOLATION GLOSSARY (continued)

### Insulation:

*Operational insulation* -- Insulation needed for the correct operation of the equipment.

*Basic insulation* -- Insulation to provide basic protection against electric shock.

*Supplementary insulation* -- Independent insulation applied in addition to basic insulation in order to ensure protection against electric shock in the event of a failure of the basic insulation.

*Double insulation* -- Insulation comprising both basic and supplementary insulation.

*Reinforced insulation* -- A single insulation system which provides a degree of protection against electric shock equivalent to double insulation.

### Pollution Degree:

*Pollution Degree 1* -- No pollution, or only dry, nonconductive pollution occurs. The pollution has no influence.

*Pollution Degree 2* -- Normally, only nonconductive pollution occurs. However, a temporary conductivity caused by condensation must be expected.

*Pollution Degree 3* -- Conductive pollution occurs or dry nonconductive pollution occurs which becomes conductive due to condensation which is to be expected.

*Pollution Degree 4* -- Continuous conductivity occurs due to conductive dust, rain, or other wet conditions.

### Installation Category:

*Overvoltage Category* -- This section is directed at insulation co-ordination by identifying the transient overvoltages which may occur, and by assigning 4 different levels as indicated in IEC 60664.

I: Signal Level -- Special equipment or parts of equipment.

II: Local Level -- Portable equipment etc.

III: Distribution Level -- Fixed installation

IV: Primary Supply Level -- Overhead lines, cable systems

Each category should be subject to smaller transients than the category above.

**PACKAGING INFORMATION**

Orderable Device	Status <sup>(1)</sup>	Package Type	Package Drawing	Pins	Package Qty	Eco Plan <sup>(2)</sup>	Lead/Ball Finish	MSL Peak Temp <sup>(3)</sup>
ISO7220AD	ACTIVE	SOIC	D	8	75	Green (RoHS & no Sb/Br)	CU NIPDAU	Level-1-260C-UNLIM
ISO7220ADG4	ACTIVE	SOIC	D	8	75	Green (RoHS & no Sb/Br)	CU NIPDAU	Level-1-260C-UNLIM
ISO7220ADR	ACTIVE	SOIC	D	8	2500	Green (RoHS & no Sb/Br)	CU NIPDAU	Level-1-260C-UNLIM
ISO7220ADRG4	ACTIVE	SOIC	D	8	2500	Green (RoHS & no Sb/Br)	CU NIPDAU	Level-1-260C-UNLIM
ISO7220CD	ACTIVE	SOIC	D	8	75	Green (RoHS & no Sb/Br)	CU NIPDAU	Level-1-260C-UNLIM
ISO7220CDG4	ACTIVE	SOIC	D	8	75	Green (RoHS & no Sb/Br)	CU NIPDAU	Level-1-260C-UNLIM
ISO7220CDR	ACTIVE	SOIC	D	8	2500	Green (RoHS & no Sb/Br)	CU NIPDAU	Level-1-260C-UNLIM
ISO7220CDRG4	ACTIVE	SOIC	D	8	2500	Green (RoHS & no Sb/Br)	CU NIPDAU	Level-1-260C-UNLIM
ISO7220MD	ACTIVE	SOIC	D	8	75	Green (RoHS & no Sb/Br)	CU NIPDAU	Level-1-260C-UNLIM
ISO7220MDG4	ACTIVE	SOIC	D	8	75	Green (RoHS & no Sb/Br)	CU NIPDAU	Level-1-260C-UNLIM
ISO7220MDR	ACTIVE	SOIC	D	8	2500	Green (RoHS & no Sb/Br)	CU NIPDAU	Level-1-260C-UNLIM
ISO7220MDRG4	ACTIVE	SOIC	D	8	2500	Green (RoHS & no Sb/Br)	CU NIPDAU	Level-1-260C-UNLIM
ISO7221AD	ACTIVE	SOIC	D	8	75	Green (RoHS & no Sb/Br)	CU NIPDAU	Level-1-260C-UNLIM
ISO7221ADG4	ACTIVE	SOIC	D	8	75	Green (RoHS & no Sb/Br)	CU NIPDAU	Level-1-260C-UNLIM
ISO7221ADR	ACTIVE	SOIC	D	8	2500	Green (RoHS & no Sb/Br)	CU NIPDAU	Level-1-260C-UNLIM
ISO7221ADRG4	ACTIVE	SOIC	D	8	2500	Green (RoHS & no Sb/Br)	CU NIPDAU	Level-1-260C-UNLIM
ISO7221CD	ACTIVE	SOIC	D	8	75	Green (RoHS & no Sb/Br)	CU NIPDAU	Level-1-260C-UNLIM
ISO7221CDG4	ACTIVE	SOIC	D	8	75	Green (RoHS & no Sb/Br)	CU NIPDAU	Level-1-260C-UNLIM
ISO7221CDR	ACTIVE	SOIC	D	8	2500	Green (RoHS & no Sb/Br)	CU NIPDAU	Level-1-260C-UNLIM
ISO7221CDRG4	ACTIVE	SOIC	D	8	2500	Green (RoHS & no Sb/Br)	CU NIPDAU	Level-1-260C-UNLIM
ISO7221MD	ACTIVE	SOIC	D	8	75	Green (RoHS & no Sb/Br)	CU NIPDAU	Level-1-260C-UNLIM
ISO7221MDG4	ACTIVE	SOIC	D	8	75	Green (RoHS & no Sb/Br)	CU NIPDAU	Level-1-260C-UNLIM
ISO7221MDR	ACTIVE	SOIC	D	8	2500	Green (RoHS & no Sb/Br)	CU NIPDAU	Level-1-260C-UNLIM
ISO7221MDRG4	ACTIVE	SOIC	D	8	2500	Green (RoHS & no Sb/Br)	CU NIPDAU	Level-1-260C-UNLIM

<sup>(1)</sup> The marketing status values are defined as follows:

---

**ACTIVE:** Product device recommended for new designs.

**LIFEBUY:** TI has announced that the device will be discontinued, and a lifetime-buy period is in effect.

**NRND:** Not recommended for new designs. Device is in production to support existing customers, but TI does not recommend using this part in a new design.

**PREVIEW:** Device has been announced but is not in production. Samples may or may not be available.

**OBSOLETE:** TI has discontinued the production of the device.

<sup>(2)</sup> Eco Plan - The planned eco-friendly classification: Pb-Free (RoHS), Pb-Free (RoHS Exempt), or Green (RoHS & no Sb/Br) - please check <http://www.ti.com/productcontent> for the latest availability information and additional product content details.

**TBD:** The Pb-Free/Green conversion plan has not been defined.

**Pb-Free (RoHS):** TI's terms "Lead-Free" or "Pb-Free" mean semiconductor products that are compatible with the current RoHS requirements for all 6 substances, including the requirement that lead not exceed 0.1% by weight in homogeneous materials. Where designed to be soldered at high temperatures, TI Pb-Free products are suitable for use in specified lead-free processes.

**Pb-Free (RoHS Exempt):** This component has a RoHS exemption for either 1) lead-based flip-chip solder bumps used between the die and package, or 2) lead-based die adhesive used between the die and leadframe. The component is otherwise considered Pb-Free (RoHS compatible) as defined above.

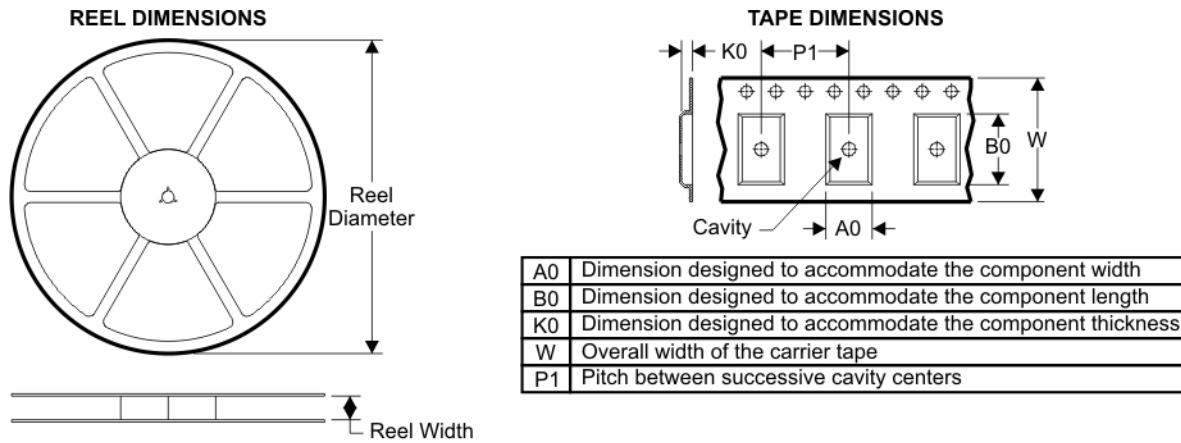
**Green (RoHS & no Sb/Br):** TI defines "Green" to mean Pb-Free (RoHS compatible), and free of Bromine (Br) and Antimony (Sb) based flame retardants (Br or Sb do not exceed 0.1% by weight in homogeneous material)

<sup>(3)</sup> MSL, Peak Temp. -- The Moisture Sensitivity Level rating according to the JEDEC industry standard classifications, and peak solder temperature.

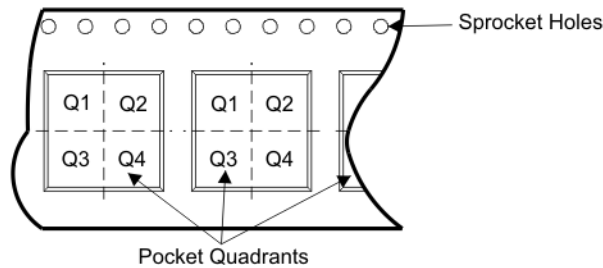
**Important Information and Disclaimer:**The information provided on this page represents TI's knowledge and belief as of the date that it is provided. TI bases its knowledge and belief on information provided by third parties, and makes no representation or warranty as to the accuracy of such information. Efforts are underway to better integrate information from third parties. TI has taken and continues to take reasonable steps to provide representative and accurate information but may not have conducted destructive testing or chemical analysis on incoming materials and chemicals. TI and TI suppliers consider certain information to be proprietary, and thus CAS numbers and other limited information may not be available for release.

In no event shall TI's liability arising out of such information exceed the total purchase price of the TI part(s) at issue in this document sold by TI to Customer on an annual basis.

**TAPE AND REEL BOX INFORMATION**



**QUADRANT ASSIGNMENTS FOR PIN 1 ORIENTATION IN TAPE**



Device	Package	Pins	Site	Reel Diameter (mm)	Reel Width (mm)	A0 (mm)	B0 (mm)	K0 (mm)	P1 (mm)	W (mm)	Pin1 Quadrant
ISO7220ADR	D	8	SITE 35	330	12	6.4	5.2	2.1	8	12	Q1
ISO7220CDR	D	8	SITE 35	330	12	6.4	5.2	2.1	8	12	Q1
ISO7220MDR	D	8	SITE 35	330	12	6.4	5.2	2.1	8	12	Q1
ISO7221ADR	D	8	SITE 35	330	12	6.4	5.2	2.1	8	12	Q1
ISO7221CDR	D	8	SITE 35	330	12	6.4	5.2	2.1	8	12	Q1
ISO7221MDR	D	8	SITE 35	330	12	6.4	5.2	2.1	8	12	Q1

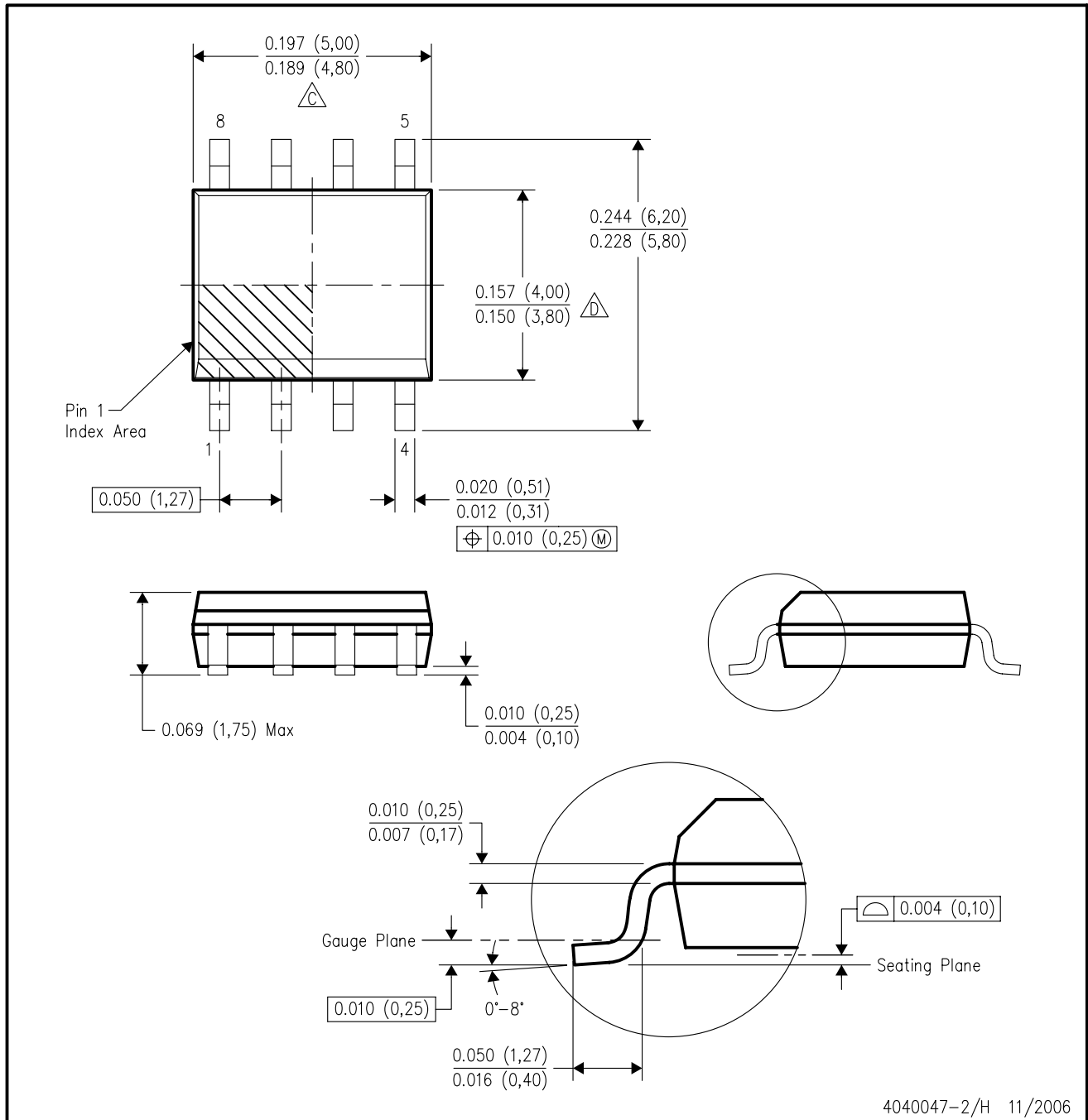
**TAPE AND REEL BOX DIMENSIONS**



Device	Package	Pins	Site	Length (mm)	Width (mm)	Height (mm)
ISO7220ADR	D	8	SITE 35	358.0	335.0	35.0
ISO7220CDR	D	8	SITE 35	358.0	335.0	35.0
ISO7220MDR	D	8	SITE 35	358.0	335.0	35.0
ISO7221ADR	D	8	SITE 35	358.0	335.0	35.0
ISO7221CDR	D	8	SITE 35	358.0	335.0	35.0
ISO7221MDR	D	8	SITE 35	358.0	335.0	35.0

D (R-PDSO-G8)

PLASTIC SMALL-OUTLINE PACKAGE



- NOTES:
- A. All linear dimensions are in inches (millimeters).
  - B. This drawing is subject to change without notice.
  - C. Body length does not include mold flash, protrusions, or gate burrs. Mold flash, protrusions, or gate burrs shall not exceed .006 (0,15) per end.
  - D. Body width does not include interlead flash. Interlead flash shall not exceed .017 (0,43) per side.
  - E. Reference JEDEC MS-012 variation AA.



## IMPORTANT NOTICE

Texas Instruments Incorporated and its subsidiaries (TI) reserve the right to make corrections, modifications, enhancements, improvements, and other changes to its products and services at any time and to discontinue any product or service without notice. Customers should obtain the latest relevant information before placing orders and should verify that such information is current and complete. All products are sold subject to TI's terms and conditions of sale supplied at the time of order acknowledgment.

TI warrants performance of its hardware products to the specifications applicable at the time of sale in accordance with TI's standard warranty. Testing and other quality control techniques are used to the extent TI deems necessary to support this warranty. Except where mandated by government requirements, testing of all parameters of each product is not necessarily performed.

TI assumes no liability for applications assistance or customer product design. Customers are responsible for their products and applications using TI components. To minimize the risks associated with customer products and applications, customers should provide adequate design and operating safeguards.

TI does not warrant or represent that any license, either express or implied, is granted under any TI patent right, copyright, mask work right, or other TI intellectual property right relating to any combination, machine, or process in which TI products or services are used. Information published by TI regarding third-party products or services does not constitute a license from TI to use such products or services or a warranty or endorsement thereof. Use of such information may require a license from a third party under the patents or other intellectual property of the third party, or a license from TI under the patents or other intellectual property of TI.

Reproduction of TI information in TI data books or data sheets is permissible only if reproduction is without alteration and is accompanied by all associated warranties, conditions, limitations, and notices. Reproduction of this information with alteration is an unfair and deceptive business practice. TI is not responsible or liable for such altered documentation. Information of third parties may be subject to additional restrictions.

Resale of TI products or services with statements different from or beyond the parameters stated by TI for that product or service voids all express and any implied warranties for the associated TI product or service and is an unfair and deceptive business practice. TI is not responsible or liable for any such statements.

TI products are not authorized for use in safety-critical applications (such as life support) where a failure of the TI product would reasonably be expected to cause severe personal injury or death, unless officers of the parties have executed an agreement specifically governing such use. Buyers represent that they have all necessary expertise in the safety and regulatory ramifications of their applications, and acknowledge and agree that they are solely responsible for all legal, regulatory and safety-related requirements concerning their products and any use of TI products in such safety-critical applications, notwithstanding any applications-related information or support that may be provided by TI. Further, Buyers must fully indemnify TI and its representatives against any damages arising out of the use of TI products in such safety-critical applications.

TI products are neither designed nor intended for use in military/aerospace applications or environments unless the TI products are specifically designated by TI as military-grade or "enhanced plastic." Only products designated by TI as military-grade meet military specifications. Buyers acknowledge and agree that any such use of TI products which TI has not designated as military-grade is solely at the Buyer's risk, and that they are solely responsible for compliance with all legal and regulatory requirements in connection with such use.

TI products are neither designed nor intended for use in automotive applications or environments unless the specific TI products are designated by TI as compliant with ISO/TS 16949 requirements. Buyers acknowledge and agree that, if they use any non-designated products in automotive applications, TI will not be responsible for any failure to meet such requirements.

Following are URLs where you can obtain information on other Texas Instruments products and application solutions:

<b>Products</b>		<b>Applications</b>	
Amplifiers	<a href="http://amplifier.ti.com">amplifier.ti.com</a>	Audio	<a href="http://www.ti.com/audio">www.ti.com/audio</a>
Data Converters	<a href="http://dataconverter.ti.com">dataconverter.ti.com</a>	Automotive	<a href="http://www.ti.com/automotive">www.ti.com/automotive</a>
DSP	<a href="http://dsp.ti.com">dsp.ti.com</a>	Broadband	<a href="http://www.ti.com/broadband">www.ti.com/broadband</a>
Interface	<a href="http://interface.ti.com">interface.ti.com</a>	Digital Control	<a href="http://www.ti.com/digitalcontrol">www.ti.com/digitalcontrol</a>
Logic	<a href="http://logic.ti.com">logic.ti.com</a>	Military	<a href="http://www.ti.com/military">www.ti.com/military</a>
Power Mgmt	<a href="http://power.ti.com">power.ti.com</a>	Optical Networking	<a href="http://www.ti.com/opticalnetwork">www.ti.com/opticalnetwork</a>
Microcontrollers	<a href="http://microcontroller.ti.com">microcontroller.ti.com</a>	Security	<a href="http://www.ti.com/security">www.ti.com/security</a>
RFID	<a href="http://www.ti-rfid.com">www.ti-rfid.com</a>	Telephony	<a href="http://www.ti.com/telephony">www.ti.com/telephony</a>
Low Power Wireless	<a href="http://www.ti.com/lpw">www.ti.com/lpw</a>	Video & Imaging	<a href="http://www.ti.com/video">www.ti.com/video</a>
		Wireless	<a href="http://www.ti.com/wireless">www.ti.com/wireless</a>

Mailing Address: Texas Instruments, Post Office Box 655303, Dallas, Texas 75265  
Copyright © 2007, Texas Instruments Incorporated