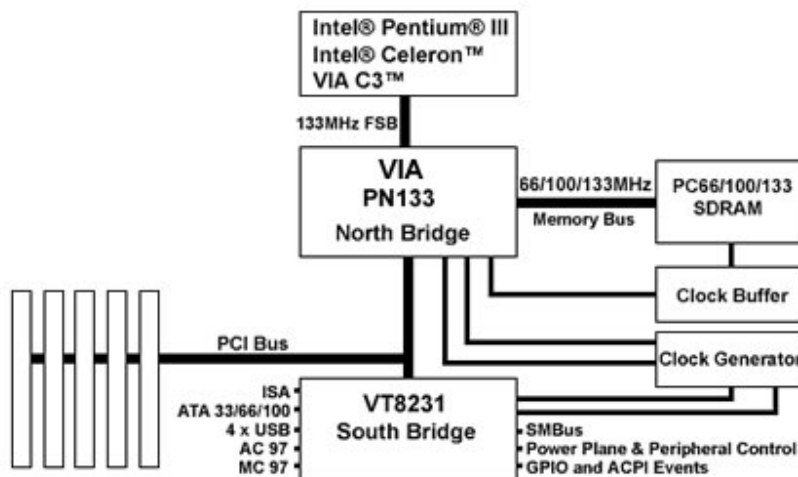


PN133



The VIA ProSavage™ PN133 integrated SMA chipset is designed for mobile systems based on the Pentium® III, Intel® Celeron™ and VIA C3® processors. With the S3 Graphics integrated Savage4™ graphics core, flexible 66/100/133MHz front side bus settings, support for PC100/133 SDRAM, and multiple power saving modes, the VIA PN133's low power characteristics and highly integrated nature is designed for thin, light and ultra small mobile sectors, and its low cost points also make it appropriate for entry level and mainstream systems. In addition, the VIA PN133 offers extremely low power consumption, effective heat dissipation, space saving single chip design and full ACPI compliance.

PN133 Block Diagram



Key Features

- » Supports mobile Intel Pentium® III, Intel® Celeron™ and VIA C3® processors.
- » 66/100/133MHz FSB Settings
- » Integrated S3 Graphics Savage4™ AGP4X graphics core
- » Support for 8MB to 32MB Frame Buffer (SMA)
- » Integrated 250MHz RAMDAC
- » Support for 36bit CMOS DSTN, Dual Channel LVDS, CRT, DVI and TV display
- » Supports up to 1.5GB PC100/133 SDRAM and Virtual Channel memory
- » Support for Advanced Communications Riser (ACR) Car Standard
- » Integrated 2 Channel AC'97 Audio
- » Integrated MC'97 Modem
- » Support for ATA 33/66/100
- » 4 USB ports, UHCI compliant
- » Integrated hardware monitoring
- » Advanced power management capabilities including ACPI/OnNow
- » 552-pin BGA VT8603 North Bridge
- » 352 -pin BGA VT8231 South Bridge