

# DS80C310

## High-Speed Microcontroller

[www.maxim-ic.com](http://www.maxim-ic.com)

### GENERAL DESCRIPTION

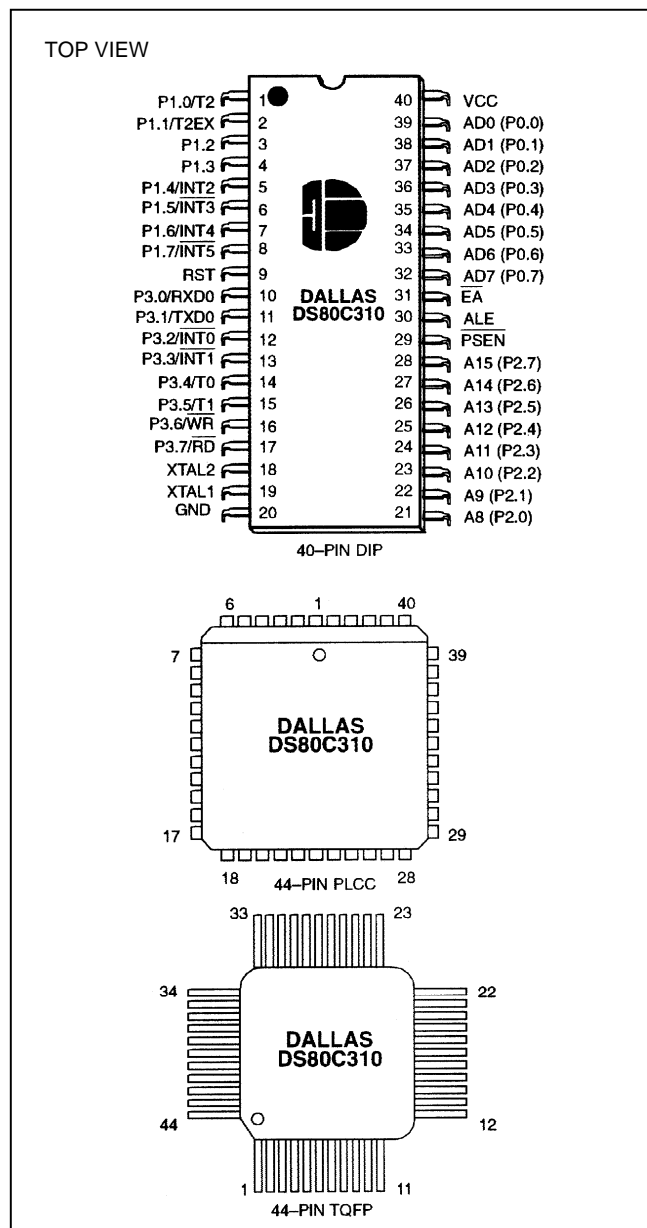
The DS80C310 is a fast 80C31/80C32-compatible microcontroller. It features a redesigned processor core without wasted clock and memory cycles. As a result, it executes every 8051 instruction between 1.5x and 3x faster than the original architecture for the same crystal speed. Typical applications have a speed improvement of 2.5x using the same code and the same crystal. The DS80C310 offers a 25MHz maximum crystal speed, resulting in apparent execution speeds of 62.5MHz (approximately 2.5x).

The DS80C310 is pin compatible with the standard 80C32 and includes standard resources such as three timer/counters, 256 bytes of RAM, and a serial port. It also provides dual data pointers (DPTRs) to speed block data memory moves. It also can adjust the speed of MOVX data memory access between two and nine machine cycles for flexibility in selecting external memory and peripherals. The DS80C310 offers upward compatibility with the DS80C320.

### FEATURES

- **80C32 Compatible**
  - 8051 Pin and Instruction Set Compatible
  - Full-Duplex Serial Port
  - Three 16-Bit Timer/Counters
  - 256 Bytes Scratchpad RAM
  - Multiplexed Address/Data Bus
  - Addresses 64kB ROM and 64kB RAM
- **High-Speed Architecture**
  - 4 Clocks/Machine Cycle (8051 = 12)
  - Runs DC to 25MHz Clock Rates
  - Single-Cycle Instruction in 160ns
  - Dual Data Pointer
  - Optional Variable Length MOVX to Access Fast/Slow RAM /Peripherals
- **10 Total Interrupt Sources with 6 External**
- **Internal Power-On Reset Circuit**
- **Upwardly Compatible with the DS80C320**
- **Available in 40-Pin Plastic DIP, 44-Pin PLCC, and 44-Pin TQFP**

### PIN CONFIGURATIONS



*Note:* Designers must have two documents to fully use all the features of this device: this data sheet and the High-Speed Microcontroller User's Guide, available on our website at [www.maxim-ic.com/microcontrollers](http://www.maxim-ic.com/microcontrollers). Data sheets contain pin descriptions, feature overviews, and electrical specifications, whereas the user's guide contains detailed information about device features and operation.

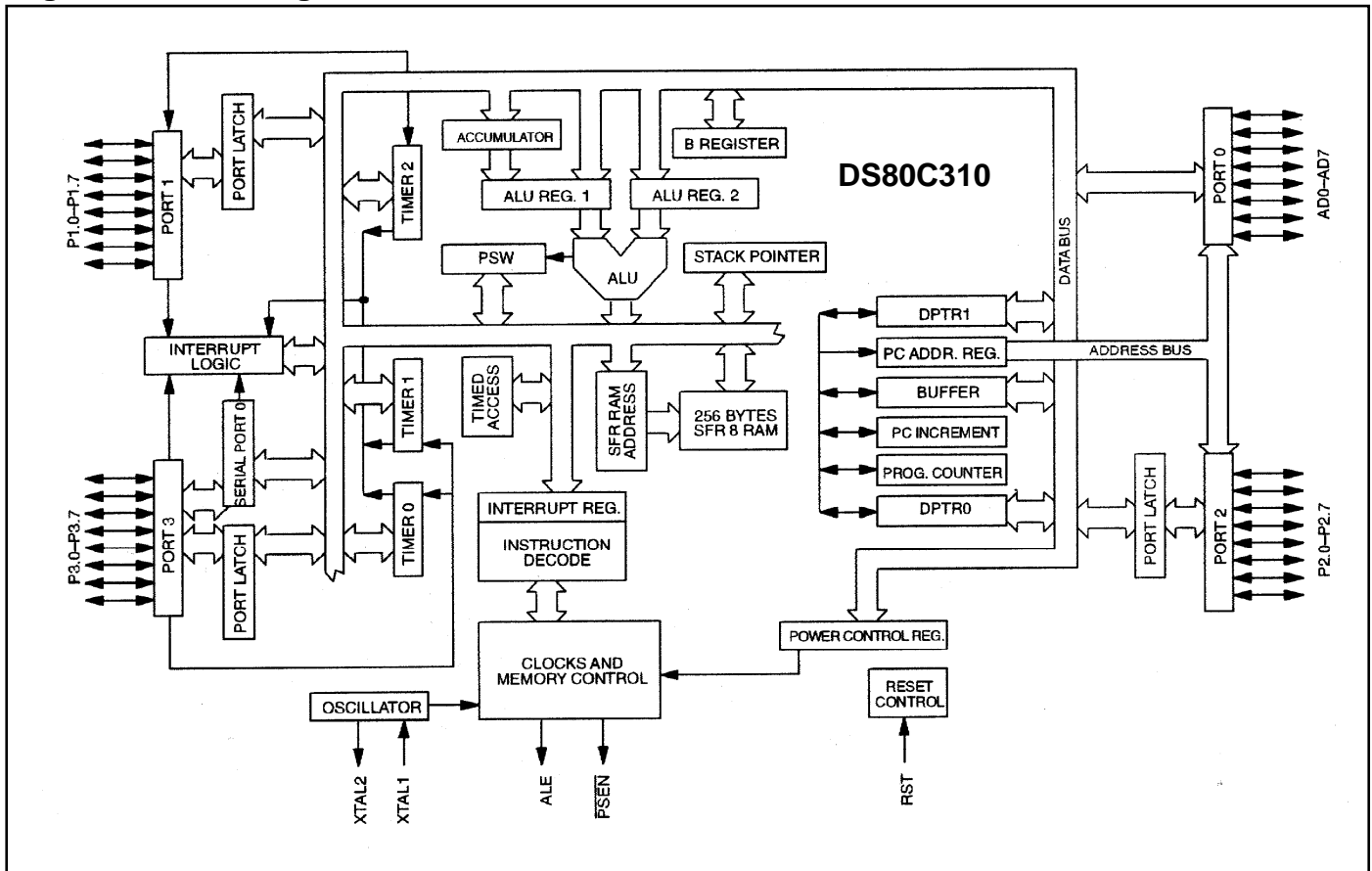
*Note:* Some revisions of this device may incorporate deviations from published specifications known as errata. Multiple revisions of any device may be simultaneously available through various sales channels. For information about device errata, click here: [www.maxim-ic.com/errata](http://www.maxim-ic.com/errata).

## ORDERING INFORMATION

PART	TEMP RANGE	MAX CLOCK SPEED (MHz)	PIN-PACKAGE
DS80C310-MCG	0°C to +70°C	25	40 Plastic DIP
DS80C310-MCG+	0°C to +70°C	25	40 Plastic DIP
DS80C310-QCG	0°C to +70°C	25	44 PLCC
DS80C310-QCG+	0°C to +70°C	25	44 PLCC
DS80C310-QNG	-40°C to +85°C	25	44 PLCC
DS80C310-QNG+	-40°C to +85°C	25	44 PLCC
DS80C310-ECG	0°C to +70°C	25	44 TQFP
DS80C310-ECG+	0°C to +70°C	25	44 TQFP

+ Denotes a lead(Pb)-free/RoHS-compliant device.

Figure 1. Block Diagram



## PIN DESCRIPTION

PIN			NAME	FUNCTION					
PDIP	PLCC	TQFP							
1–8	2–9	40–44, 1, 2, 3	P1.0–P1.7	Port 1 (I/O). Port 1 functions as both an 8-bit bidirectional I/O port and an alternate functional interface for Timer 2 I/O and new external interrupts. The reset condition of Port 1 is with all bits at logic 1. In this state, a weak pullup holds the port high. This condition also serves as an input mode, since any external circuit that writes to the port overcomes the weak pullup. When software writes a 0 to any port pin, the DS80C310 activates a strong pulldown that remains on until either a 1 is written or a reset occurs. Writing a 1 after the port has been at 0 causes a strong transition driver to turn on, followed by a weaker sustaining pullup. Once the momentary strong driver turns off, the port once again becomes the output high (and input) state. The alternate modes of Port 1 are outlined as follows:					
				PIN			PORT	ALTERNATE	FUNCTION
				PDIP	PLCC	TQFP			
				1	2	40	P1.0	T2	External I/O for Timer/Counter 2
				2	3	41	P1.1	T2EX	Timer/Counter 2 Capture/Reload Trigger
				3	4	42	P1.2	—	DS80C320 has a serial port RXD
				4	5	43	P1.3	—	DS80C320 has a serial port TXD
				5	6	44	P1.4	INT2	External Interrupt 2 (Positive Edge Detect)
				6	7	1	P1.5	$\overline{\text{INT3}}$	External Interrupt 3 (Negative Edge Detect)
				7	8	2	P1.6	INT4	External Interrupt 4 (Positive Edge Detect)
8	9	3	P1.7	$\overline{\text{INT5}}$	External Interrupt 5 (Negative Edge Detect)				
9	10	4	RST	Reset (Input). The RST input pin contains a Schmitt voltage input to recognize external active-high reset inputs. The pin also employs an internal pulldown resistor to allow for a combination of wired-OR external reset sources.					

PIN			NAME	FUNCTION								
PDIP	PLCC	TQFP										
10–17	11, 13–19	5, 7–13	P3.0–P3.7	Port 3 (I/O). Port 3 functions as both an 8-bit bidirectional I/O port and an alternate functional interface for external Interrupts, Serial Port 0, Timer 0 and 1 Inputs, $\overline{RD}$ and $\overline{WR}$ strobes. The reset condition of Port 3 is with all bits at logic 1. In this state, a weak pullup holds the port high. This condition also serves as an input mode, since any external circuit that writes to the port will overcome the weak pullup. When software writes a 0 to any port pin, the DS80C310 will activate a strong pulldown that remains on until either a 1 is written or a reset occurs. Writing a 1 after the port has been at 0 will cause a strong transition driver to turn on, followed by a weaker sustaining pullup. Once the momentary strong driver turns off, the port once again becomes both the output high and input state. The alternate modes of Port 3 are as follows:								
				PIN			PORT	ALTERNATE	FUNCTION			
				PDIP	PLCC	TQFP						
							10	11	5	P3.0	RXD0	Serial Port 0 Input
							11	13	7	P3.1	TXD0	Serial Port 0 Output
							12	14	8	P3.2	$\overline{INT0}$	External Interrupt 0
							13	15	9	P3.3	$\overline{INT1}$	External Interrupt 1
							14	16	10	P3.4	T0	Timer 0 External Input
							15	17	11	P3.5	T1	Timer 1 External Input
							16	18	12	P3.6	$\overline{WR}$	External Data Memory Write Strobe
			17	19	13	P3.7	$\overline{RD}$	External Data Memory Read Strobe				
18, 19	20, 21	14, 15	XTAL2, XTAL1	Crystal Oscillator Pins. XTAL1 and XTAL2 provide support for parallel resonant, AT-cut crystals. XTAL1 also acts as an input in the event that an external clock source is used in place of a crystal. XTAL2 serves as the output of the crystal amplifier.								
20	1, 22, 23	16, 17, 39	GND	Digital Circuit Ground								
21	24	18	A8(P2.0)	Address Outputs (Port 2) (Output). Port 2 serves as the MSB for external addressing. P2.7 is A15 and P2.0 is A8. The DS80C310 automatically places the MSB of an address on P2 for external ROM and RAM access. Although Port 2 can be accessed like an ordinary I/O port, the value stored on the Port 2 latch is never seen on the pins (due to memory access). Therefore, writing to Port 2 in software is only useful for the instructions MOVX A, @ Ri or MOVX @ Ri, A. These instructions use the Port 2 internal latch to supply the external address MSB; the Port 2 latch value is supplied as the address information.								
22	25	19	A9(P2.1)									
23	26	20	A10(P2.2)									
24	27	21	A11(P2.3)									
25	28	22	A12(P2.4)									
26	29	23	A13(P2.5)									
27	30	24	A14(P2.6)									
28	31	25	A15(P2.7)									

PIN			NAME	FUNCTION
PDIP	PLCC	TQFP		
29	32	26	$\overline{\text{PSEN}}$	Active-Low Program Store Enable (Output). This signal is commonly connected to external ROM memory as a chip enable. $\overline{\text{PSEN}}$ is driven high when data memory (RAM) is being accessed through the bus and during a reset condition.
30	33	27	ALE	Address Latch Enable (Output). The output functions as clock to latch the external address LSB from the multiplexed address/data bus on Port 0. This signal is commonly connected to the latch enable of an external 373 family transparent latch. ALE is forced high when the DS80C310 is in a reset condition.
31	35	29	$\overline{\text{EA}}$	Active-Low External Access (Input). This pin must be connected to ground for proper operation.
32	36	30	AD7 (P0.7)	Address/Data Bus 0–7 (Port 0) (I/O). Port 0 is the multiplexed address/data bus. During the time when ALE is high, the LSB of a memory address is presented. When ALE falls to logic 0, the port transitions to a bidirectional data bus. This bus is used to read external ROM and read/write external RAM memory or peripherals. Port 0 has no true port latch and cannot be written directly by software. The reset condition of Port 0 is high.
33	37	31	AD6 (P0.6)	
34	38	32	AD5 (P0.5)	
35	39	33	AD4 (P0.4)	
36	40	34	AD3 (P0.3)	
37	41	35	AD2 (P0.2)	
38	42	36	AD1 (P0.1)	
39	43	37	AD0 (P0.0)	
40	44	38	V <sub>CC</sub>	+5V Power Supply
–	12, 34	6, 28	N.C.	No Connection (Reserved). These pins should not be connected. They are reserved for use with future devices in this family.

## COMPATIBILITY

The DS80C310 is a fully static, CMOS, 8051-compatible microcontroller designed for high performance. In most cases the DS80C310 can drop into an existing socket for the 80C31 or 80C32 to significantly improve the operation. In general, software written for existing 8051-based systems works without modification on the DS80C310. The exception is critical timing because the high-speed microcontroller performs its instructions much faster than the original for any given crystal selection. The DS80C310 runs the standard 8051 family instruction set and is pin compatible with DIP, PLCC, or TQFP packages. The DS80C310 is a streamlined version of the DS80C320. It maintains upward compatibility but has fewer peripherals.

The DS80C310 provides three 16-bit timer/counters, a full-duplex serial port, and 256 bytes of direct RAM. I/O ports have the same operation as a standard 8051 product. Timers default to a 12 clock-per-cycle operation to keep their timing compatible with original 8051 family systems. However, timers are individually programmable to run at the new 4 clocks per cycle if desired.

The DS80C310 provides several new hardware functions that are controlled by Special Function Registers (SFRs). Table 1 summarizes the SFRs.

## PERFORMANCE OVERVIEW

The DS80C310 features a high-speed 8051-compatible core. Higher speed comes not just from increasing the clock frequency but from a newer, more efficient design.

This updated core does not have the dummy memory cycles that exist in a standard 8051. A conventional 8051 generates machine cycles using the clock frequency divided by 12. In the DS80C310, the same

machine cycle takes 4 clocks. Thus the fastest instruction, 1 machine cycle, executes three times faster for the same crystal frequency. Note that these are identical instructions. The majority of instructions on the DS80C310 will see the full 3-to-1 speed improvement. Some instructions will get between 1.5 and 2.4 to 1 improvement. All instructions are faster than the original 8051.

The numerical average of all op codes gives approximately a 2.5-to-1 speed improvement. Improvement of individual programs depends on the actual instructions used. Speed-sensitive applications would make the most use of instructions that are three times faster. However, the sheer number of 3-to-1 improved op codes makes dramatic speed improvements likely for any code. These architecture improvements and 0.8 $\mu$ m CMOS produce a peak instruction cycle in 160ns (6.25MIPS). The dual data pointer feature also allows the user to eliminate wasted instructions when moving blocks of memory.

## INSTRUCTION SET SUMMARY

All instructions in the DS80C310 perform the same functions as their 8051 counterparts. Their effect on bits, flags, and other status functions is identical. However, the timing of each instruction is different. This applies both in absolute and relative number of clocks.

For absolute timing of real-time events, the timing of software loops can be calculated using a table in the *High-Speed Microcontroller User's Guide*. However, counter/timers default to run at the older 12 clocks per increment. In this way, timer-based events occur at the standard intervals with software executing at higher speed. Timers optionally can run at 4 clocks per increment to take advantage of faster processor operation.

The relative time of two instructions might be different in the new architecture than it was previously. For example, in the original architecture the "MOVX A, @ DPTR" instruction and the "MOV direct, direct" instruction used 2 machine cycles or 24 oscillator cycles. Therefore, they required the same amount of time. In the DS80C310, the MOVX instruction takes as little as 2 machine cycles or 8 oscillator cycles but the "MOV direct, direct" uses 3 machine cycles or 12 oscillator cycles. While both are faster than their original counterparts, they now have different execution times. This is because the DS80C310 usually uses 1 instruction cycle for each instruction byte. The user concerned with precise program timing should examine the timing of each instruction for familiarity with the changes. Note that a machine cycle now requires just 4 clocks, and provides one ALE pulse per cycle. Many instructions require only 1 cycle, but some require 5. In the original architecture, all were 1 or 2 cycles except for MUL and DIV. Refer to the *High-Speed Microcontroller User's Guide* for details and individual instruction timing.

## SPECIAL FUNCTION REGISTERS (SFRs)

Special Function Registers control most special features of the DS80C310. The *High-Speed Microcontroller User's Guide* contains descriptions of all the SFRs. Functions that are not part of the standard 80C32 are in bold.

**Table 1. Special Function Registers**

REGISTER	BIT 7	BIT 6	BIT 5	BIT 4	BIT 3	BIT 2	BIT 1	BIT 0	ADDRESS
SP	—	—	—	—	—	—	—	—	81h
DPL	—	—	—	—	—	—	—	—	82h
DPH	—	—	—	—	—	—	—	—	83h
<b>DPL1</b>	—	—	—	—	—	—	—	—	84h
<b>DPH1</b>	—	—	—	—	—	—	—	—	85h
<b>DPS</b>	0	0	0	0	0	0	0	SEL	86h
PCON	SMOD	SM0D0	—	—	GF1	GF0	STOP	IDLE	87h
TCON	TF1	TR1	TF0	TR0	IE1	IT1	IE0	IT0	88h
TMOD	GATE	C/ $\bar{T}$	M1	M0	GATE	C/ $\bar{T}$	M1	M0	89h
TL0	—	—	—	—	—	—	—	—	8Ah
TL1	—	—	—	—	—	—	—	—	8Bh
TH0	—	—	—	—	—	—	—	—	8Ch
TH1	—	—	—	—	—	—	—	—	8Dh
<b>CKCON</b>	—	—	<b>T2M</b>	<b>T1M</b>	<b>T0M</b>	<b>MD2</b>	<b>MD1</b>	<b>MD0</b>	8Eh
P1	P1.7	P1.6	P1.5	P1.4	P1.3	P1.2	P1.1	P1.0	90h
<b>EXIF</b>	<b>IE5</b>	<b>IE4</b>	<b>IE3</b>	<b>IE2</b>	—	—	—	—	91h
SCON	SMO/FE	SM1	SM2	REN	TB8	RB8	TI	RI	98h
SBUF	—	—	—	—	—	—	—	—	99h
P2	P2.7	P2.6	P2.5	P2.4	P2.3	P2.2	P2.1	P2.0	A0h
IE	EA	—	ET2	ES0	ET1	EX1	ET0	EX0	A8h
SADDR0	—	—	—	—	—	—	—	—	A9h
P3	P3.7	P3.6	P3.5	P3.4	P3.3	P3.2	P3.1	P3.0	B0h
IP	—	—	PT2	PSO	PT1	PX1	PT0	PX0	B8h
SADEN0	—	—	—	—	—	—	—	—	B9h
STATUS	0	HIP	LIP	1	1	1	1	1	C5h
T2CON	TF2	EXF2	RCLK	TCLK	EXEN2	TR2	C/ $\bar{T}2$	CP/ $\bar{R}L2$	C8h
T2MOD	—	—	—	—	—	—	T2OE	DCEN	C9h
RCAP2L	—	—	—	—	—	—	—	—	CAh
RCAP2H	—	—	—	—	—	—	—	—	CBh
TL2	—	—	—	—	—	—	—	—	CCh
TH2	—	—	—	—	—	—	—	—	CDh
PSW	CY	AC	F0	RS1	RS0	OV	FL	P	D0h
<b>WDCON</b>	—	<b>POR</b>	—	—	—	—	—	—	D8h
ACC	—	—	—	—	—	—	—	—	E0h
<b>EIE</b>	—	—	—	—	<b>EX5</b>	<b>EX4</b>	<b>EX3</b>	<b>EX2</b>	E8h
B	—	—	—	—	—	—	—	—	F0h
<b>EIP</b>	—	—	—	—	<b>PX5</b>	<b>PX4</b>	<b>PX3</b>	<b>PX2</b>	F8h

## MEMORY ACCESS

The DS80C310 has 256 bytes of scratchpad RAM, but contains no on-chip ROM. Off-chip memory is accessed using the multiplexed address/data bus on P0 and the MSB address on P2. Timing diagrams are provided in the *Absolute Maximum Ratings* section. Program memory (ROM) is accessed at a fixed rate determined by the crystal frequency and the actual instructions. As mentioned above, an instruction cycle requires 4 clocks. Data memory (RAM) is accessed according to a variable speed MOVX instruction as described below.

## STRETCH MEMORY CYCLE

The DS80C310 allows the application software to adjust the speed of data memory access. The microcontroller can perform the MOVX in as few as 2 instruction cycles. However, this value can be stretched as needed so that both fast memory and slow memory or peripherals can be accessed with no glue logic. Even in high-speed systems, it may not be necessary or desirable to perform data memory access at full speed. In addition, there are a variety of memory-mapped peripherals such as LCD displays or UARTs that are not fast.

The stretch MOVX is controlled by the Clock Control Register at SFR location 8Eh as described below. This allows the user to select a stretch value between 0 and 7. A stretch of 0 results in a 2-machine-cycle MOVX. A stretch of 7 results in a MOVX of 9 machine cycles. Software can dynamically change this value depending on the particular memory or peripheral.

On reset, the stretch value defaults to 1, resulting in a 3-cycle MOVX. Therefore, RAM access is not performed at full speed. This is a convenience to existing designs that may not have fast RAM in place. When maximum speed is desired, the software should select a stretch value of 0. When using very slow RAM or peripherals, a larger stretch value can be selected. Note that this affects data memory only and the only way to slow program memory (ROM) access is to use a slower crystal.

Using a stretch value between 1 and 7 causes the microcontroller to stretch the read/write strobe and all related timing. This results in a wider read/write strobe allowing more time for memory/peripherals to respond. The timing of the variable speed MOVX is shown in the *Absolute Maximum Ratings* section. Note that full speed access is not the reset default case. Table 2 shows the resulting strobe widths for each stretch value. The memory stretch is implemented using the Clock Control Special Function Register at SFR location 8Eh. The stretch value is selected using bits CKCON.2–CKCON.0. In the table, these bits are referred to as M2 through M0. The first stretch (default) allows the use of common 120ns or 150ns RAMs without dramatically lengthening the memory access.



**Table 2. Data Memory Cycle Stretch Values**

CKCON.2–CKCON.0			MEMORY CYCLES	RD OR WR STROBE WIDTH IN CLOCKS	25MHz STROBE WIDTH (ns)
M2	M1	M0			
0	0	0	2	2	80
0	0	1	3 (default)	4	160
0	1	0	4	8	320
0	1	1	5	12	480
1	0	0	6	16	640
1	0	1	7	20	800
1	1	0	8	24	960
1	1	1	9	28	1120

## DUAL DATA POINTER (DPTR)

Data memory block moves can be accelerated using the DS80C310 dual data pointer (DPTR). The standard 8032 DPTR is a 16-bit value that is used to address off-chip data RAM or peripherals. In the DS80C310, the standard data pointer is called DPTR and is located at SFR addresses 82h and 83h. These are the standard locations. No modification of standard code is needed to use DPTR. The new DPTR is located at SFR 84h and 85h and is called DPTR1. The DPTR select bit (DPS) chooses the active pointer and is located at the LSB of the SFR location 86h. No other bits in register 86h have any effect and are set to 0. The user switches between data pointers by toggling the LSB of register 86h. The increment (INC) instruction is the fastest way to accomplish this. All DPTR-related instructions use the currently selected DPTR for any activity. Therefore, only one instruction is required to switch from a source to a destination address. Using the DPTR saves code from needing to save source and destination addresses when doing a block move. Once loaded, the software simply switches between DPTR0 and 1. The relevant register locations are as follows.

DPL	82h	Low byte original DPTR
DPH	83h	High byte original DPTR
DPL1	84h	Low byte new DPTR
DPH1	85h	High byte new DPTR
DPS	86h	DPTR Select (lsb)

## STOP MODE ENHANCEMENTS

Setting bit 1 of the Power Control Register (PCON; 87h) invokes the stop mode. Stop mode is the lowest power state because it turns off all internal clocking. The  $I_{CC}$  of a standard stop mode is approximately 1 $\mu$ A (but is specified in the *Absolute Maximum Ratings* section). The CPU exits stop mode from an external interrupt or a reset condition. Internally generated interrupts are not useful since they require clocking activity.

The DS80C310 allows a resume from stop using INT2–INT5, which are edge-triggered interrupts. An internal crystal counter manages the startup timing. A delay of 65,536 clocks occurs to allow the crystal time to stabilize. Software must also insert a delay of 100 machine cycles following the exit from stop mode. This ensures stabilization of internal timing prior to time-critical software tasks such as serial port operations or bus access to memory-mapped I/O devices.

## PERIPHERAL OVERVIEW

The DS80C310 provides the same peripheral functions as the standard 80C32. The device is compatible with the DS80C320, but it does not offer all the peripherals.

## TIMER RATE CONTROL

There is one important difference between the DS80C310 and 8051 regarding timers. The original 8051 used 12 clocks per cycle for timers and machine cycles. The DS80C310 architecture normally uses 4 clocks per machine cycle. However, in the area of timers and serial ports, the DS80C310 defaults to 12 clocks per cycle on reset. This allows existing code with real-time dependencies such as baud rates to operate properly.

If an application needs higher speed timers or serial baud rates, the user can select individual timers to run at the 4-clock rate. The Clock Control Register (CKCON; 8Eh) determines these timer speeds. When the relevant CKCON bit is logic 1, the DS80C310 uses 4 clocks per cycle to generate timer speeds. When the bit is 0, the DS80C310 uses 12 clocks for timer speeds. The reset condition is 0. CKCON.5 selects the speed of Timer 2. CKCON.4 selects Timer 1 and CKCON.3 selects Timer 0. Note that unless a user desires very fast timing, it is unnecessary to alter these bits. Also note that the timer controls are independent.

## POWER-ON RESET

The DS80C310 holds itself in reset during a power-up until 65,536 clock cycles have elapsed. The power-on reset used by the DS80C310 differs somewhat from other members of the high-speed microcontroller family. The crystal oscillator can start anywhere between 1.0V and 4.5V, but is not specified. This eliminates the need for an RC reset circuit. For voltage-specific precision-brownout detection, an external component is needed. When the device goes through a power-on reset, the POR flag is set in the WDCON (D8h) register at bit 6.

## INTERRUPTS

The DS80C310 provides 10 interrupt sources with two priority levels. Software can assign high or low priority to all sources. All interrupts that are new to the 8051 have a lower natural priority than the originals.

**Table 3. Interrupt Sources and Priorities**

NAME	DESCRIPTION	VECTOR	NATURAL PRIORITY
$\overline{\text{INT0}}$	External Interrupt 0	03h	1
TF0	Timer 0	0Bh	2
$\overline{\text{INT1}}$	External Interrupt 1	13h	3
TF1	Timer 1	1Bh	4
SCON	T1 or R1 from the serial port	23h	5
TF2	Timer 2	2Bh	6
$\overline{\text{INT2}}$	External Interrupt 2	43h	7
$\overline{\text{INT3}}$	External Interrupt 3	4Bh	8
INT4	External Interrupt 4	53h	9
$\overline{\text{INT5}}$	External Interrupt 5	5Bh	10

## ABSOLUTE MAXIMUM RATINGS

Voltage Range on Any Pin Relative to Ground.....	-0.3V to ( $V_{CC} + 0.5V$ )
Voltage Range on $V_{CC}$ Relative to Ground.....	-0.3V to +6.0V
Operating Temperature Range.....	-40°C to +85°C
Storage Temperature Range.....	-55°C to +125°C
Soldering Temperature.....	See IPC/JEDEC J-STD-020 Specification

*This is a stress rating only and functional operation of the device at these or any other conditions above those indicated in the operation sections of this specification is not implied. Exposure to absolute maximum rating conditions for extended periods of time may affect device reliability.*

## DC ELECTRICAL CHARACTERISTICS

( $V_{CC} = 4.5V$  to  $5.5V$ ,  $T_A = -40^\circ C$  to  $+85^\circ C$ .) (Note 1)

PARAMETER	SYMBOL	MIN	TYP	MAX	UNITS	NOTES
Supply Voltage	$V_{CC}$	4.0	5.0	5.5	V	2
Supply Current Active Mode at 25MHz	$I_{CC}$		30		mA	3
Supply Current Idle Mode at 25MHz	$I_{IDLE}$		15		mA	4
Supply Current Stop Mode	$I_{STOP}$		1		$\mu A$	5
Input Low Level	$V_{IL}$	-0.3		+0.8	V	2
Input High Level (Except XTAL1 and RST)	$V_{IH}$	2.0		$V_{CC} + 0.3$	V	2
Input High Level XTAL1 and RST	$V_{IH2}$	3.5		$V_{CC} + 0.3$	V	2
Output Low Voltage Ports 1, 3 at $I_{OL} = 1.6mA$	$V_{OL1}$		0.15	0.45	V	2
Output Low Voltage Port 0, 2, ALE, $\overline{PSEN}$ at $I_{OL} = 3.2mA$	$V_{OL2}$		0.15	0.45	V	2, 6
Output High Voltage Port 1, 3, ALE, $\overline{PSEN}$ at $I_{OH} = -50\mu A$	$V_{OH1}$	2.4			V	2, 7
Output High Voltage Ports 1, 3 at $I_{OH} = -1.5mA$	$V_{OH2}$	2.4			V	2, 8
Output High Voltage Port 0, 2, ALE, $\overline{PSEN}$ at $I_{OH} = -8mA$	$V_{OH3}$	2.4			V	2, 6
Input Low Current Ports 1, 3 at 0.45V	$I_{IL}$			-55	$\mu A$	9
Transition Current from 1 to 0 Ports 1, 3 at 2V	$I_{TL}$			-650	$\mu A$	10
Input Leakage Port 0, Bus Mode	$I_L$	-300		+300	$\mu A$	11
RST Pulldown Resistance	$R_{RST}$	50		170	k $\Omega$	

**Note 1:** All parameters apply to both commercial and industrial temperature operation unless otherwise noted. Specifications to -40°C are guaranteed by design and not product tested.

**Note 2:** All voltages are referenced to ground.

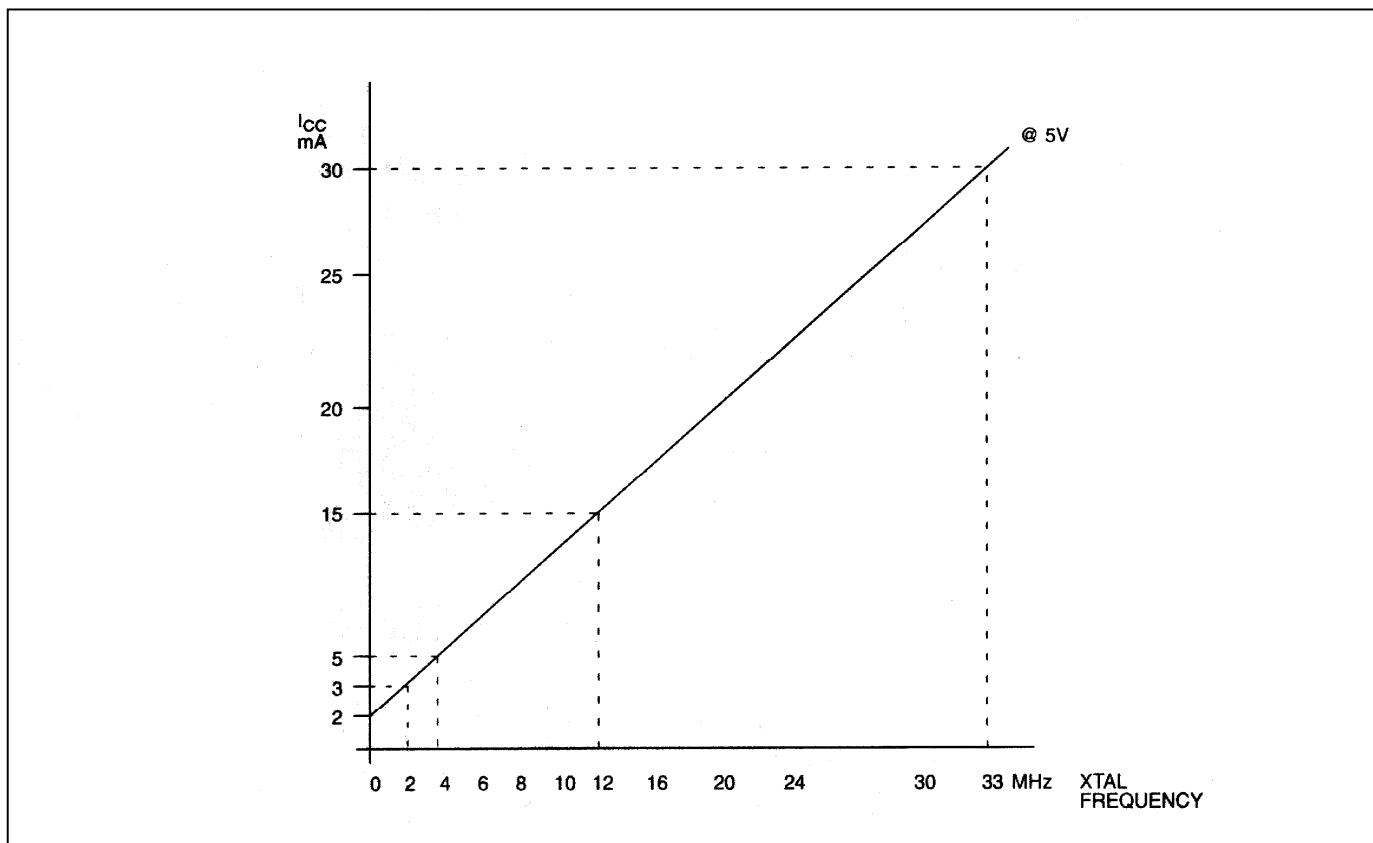
**Note 3:** Active current is measured with a 25MHz clock source driving XTAL1,  $V_{CC} = RST = 5.5V$ , all other pins disconnected.

**Note 4:** Idle mode current is measured with a 25MHz clock source driving XTAL1,  $V_{CC} = 5.5V$ , RST at ground, all other pins disconnected.

**Note 5:** Stop mode current measured with XTAL1 and RST grounded,  $V_{CC} = 5.5V$ , all other pins disconnected.

- Note 6:** When addressing external memory. This specification applies to the first clock cycle following the transition. On subsequent cycles following 1 to 0 transitions, the typical current sink capability of Port 0 and Port 2 is approximately  $150\mu\text{A}$ , and the minimum current sink capability of ALE and PSEN is approximately  $400\mu\text{A}$ . On subsequent cycles following 0 to 1 transitions, the typical current drive capability of Port 0 and Port 2 is approximately  $110\mu\text{A}$ .
- Note 7:**  $\text{RST} = V_{\text{CC}}$ . This condition mimics operation of pins in I/O mode.
- Note 8:** During a 0 to 1 transition, a one-shot drives the ports hard for two clock cycles. This measurement reflects port in transition mode.
- Note 9:** Current required from external circuit to hold a logic-low level on an I/O pin while the corresponding port latch bit is set to 1. This is only the current required to hold the low level; transitions from 1 to 0 on an I/O pin must also overcome the transition current.
- Note 10:** Ports 1 and 3 source transition current when being pulled down externally. The current reaches its maximum at approximately 2V.
- Note 11:**  $0.45 < V_{\text{IN}} < V_{\text{CC}}$ . Not a high-impedance input. This port is a weak address holding latch because Port 0 is dedicated as an address bus on the DS80C310. Peak current occurs near the input transition point of the latch, approximately 2V.

**Figure 2. Typical  $I_{\text{CC}}$  vs. Frequency**



**AC ELECTRICAL CHARACTERISTICS (Note 1)**

PARAMETER		SYMBOL	25MHz		VARIABLE CLOCK		UNITS
			MIN	MAX	MIN	MAX	
Oscillator Frequency	External Oscillator	$1/t_{CLCL}$	0	25	0	25	MHz
	External Crystal		1	25	1	25	
ALE Pulse Width		$t_{LHLL}$	40		$1.5t_{CLCL}-5$		ns
Port 0 Address Valid to ALE Low		$t_{AVLL}$	10		$0.5t_{CLCL}-5$		ns
Address Hold after ALE Low		$t_{LLAX1}$	2	(Note 2)	$0.5t_{CLCL}-18$	(Note 2)	ns
ALE Low to Valid Instruction In		$t_{LLIV}$		56		$2.5t_{CLCL}-20$	ns
ALE Low to $\overline{PSEN}$ Low		$t_{LLPL}$	7		$0.5t_{CLCL}-13$		ns
$\overline{PSEN}$ Pulse Width		$t_{PLPH}$	55		$2t_{CLCL}-5$		ns
$\overline{PSEN}$ Low to Valid Instruction In		$t_{PLIV}$		41		$2t_{CLCL}-20$	ns
Input Instruction Hold after $\overline{PSEN}$		$t_{PXIX}$	0		0		ns
Input Instruction Float after $\overline{PSEN}$		$t_{PXIZ}$		26		$t_{CLCL}-5$	ns
Port 0 Address to Valid Instruction In		$t_{AVIV1}$		71		$3t_{CLCL}-20$	ns
Port 2 Address to Valid Instruction In		$t_{AVIV2}$		81		$3.5t_{CLCL}-25$	ns
$\overline{PSEN}$ Low to Address Float		$t_{PLAZ}$		(Note 2)		(Note 2)	ns

**Note 1:** All parameters apply to both commercial and industrial temperature operation unless otherwise noted. Specifications to -40°C are guaranteed by design and not product tested. AC electrical characteristics assume 50% duty cycle for the oscillator, and are not 100% tested but are guaranteed by design. All signals characterized with load capacitance of 80pF except Port 0, ALE,  $\overline{PSEN}$ , and WR with 100pF. Interfacing to memory devices with float times (turn-off times) over 25ns can cause contention. This does not damage the parts, but rather causes an increase in operating current. Port 2 and ALE timing changes in relation to duty cycle variation.

**Note 2:** Address is held in a weak latch until overdriven by external memory.

## MOVX CHARACTERISTICS

PARAMETER	SYMBOL	VARIABLE CLOCK		UNITS	STRETCH (Note 1)
		MIN	MAX		
Data Access ALE Pulse Width	$t_{LHLL2}$	$1.5t_{CLCL}-5$		ns	$t_{MCS}=0$ $t_{MCS}>0$
Port 0 Address Valid to ALE Low	$t_{AVLL2}$	$0.5t_{CLCL}-5$		ns	$t_{MCS}=0$ $t_{MCS}>0$
Address Hold after ALE Low for MOVX Write	$t_{LLAX2}$	$0.5t_{CLCL}-15$		ns	$t_{MCS}=0$ $t_{MCS}>0$
$\overline{RD}$ Pulse Width	$t_{RLRH}$	$2t_{CLCL}-5$		ns	$t_{MCS}=0$ $t_{MCS}>0$
$\overline{WR}$ Pulse Width	$t_{WLWH}$	$2t_{CLCL}-5$		ns	$t_{MCS}=0$ $t_{MCS}>0$
$\overline{RD}$ Low to Valid Data In	$t_{RLDV}$		$2t_{CLCL}-20$	ns	$t_{MCS}=0$ $t_{MCS}>0$
Data Hold after Read	$t_{RHDX}$	0		ns	
Data Float after Read	$t_{RHDZ}$		$t_{CLCL}-5$	ns	$t_{MCS}=0$ $t_{MCS}>0$
ALE Low to Valid Data In	$t_{LLDV}$		$2.5t_{CLCL}-28$	ns	$t_{MCS}=0$ $t_{MCS}>0$
Port 0 Address to Valid Data In	$t_{AVDV1}$		$t_{CLCL}+t_{MCS}-40$	ns	$t_{MCS}=0$ $t_{MCS}>0$
Port 2 Address to Valid Data In	$t_{AVDV2}$		$3t_{CLCL}-22$	ns	$t_{MCS}=0$ $t_{MCS}>0$
ALE Low to $\overline{RD}$ or $\overline{WR}$ Low	$t_{LLWL}$		$2.0t_{CLCL}+t_{MCS}-25$	ns	$t_{MCS}=0$ $t_{MCS}>0$
Port 0 Address to $\overline{RD}$ or $\overline{WR}$ Low	$t_{AVWL1}$		$3.5t_{CLCL}-35$	ns	$t_{MCS}=0$ $t_{MCS}>0$
Port 2 Address to $\overline{RD}$ or $\overline{WR}$ Low	$t_{AVWL2}$		$2.5t_{CLCL}+t_{MCS}-35$	ns	$t_{MCS}=0$ $t_{MCS}>0$
Data Valid to $\overline{WR}$ Transition	$t_{QVWX}$	$0.5t_{CLCL}-14$	$0.5t_{CLCL}+5$	ns	$t_{MCS}=0$ $t_{MCS}>0$
Data Hold after Write	$t_{WHQX}$	$t_{CLCL}-8$	$t_{CLCL}+5$	ns	$t_{MCS}=0$ $t_{MCS}>0$
$\overline{RD}$ Low to Address Float	$t_{RLAZ}$			ns	
$\overline{RD}$ or $\overline{WR}$ High to ALE High	$t_{WHLH}$		(Note 2)	ns	
		0	10	ns	$t_{MCS}=0$ $t_{MCS}>0$
		$t_{CLCL}-5$	$t_{CLCL}+9$	ns	$t_{MCS}=0$ $t_{MCS}>0$

**Note 1:**  $t_{MCS}$  is a time period related to the stretch memory cycle selection. The following table shows the value of  $t_{MCS}$  for each stretch selection.

M2	M1	M0	MOVX CYCLES	$t_{MCS}$
0	0	0	2 machine cycles	0
0	0	1	3 machine cycles (default)	$4 t_{CLCL}$
0	1	0	4 machine cycles	$8 t_{CLCL}$
0	1	1	5 machine cycles	$12 t_{CLCL}$
1	0	0	6 machine cycles	$16 t_{CLCL}$
1	0	1	7 machine cycles	$20 t_{CLCL}$
1	1	0	8 machine cycles	$24 t_{CLCL}$
1	1	1	9 machine cycles	$28 t_{CLCL}$

**Note 2:** Address is held in a weak latch until overdriven by external memory.

## EXTERNAL CLOCK CHARACTERISTICS

PARAMETER	SYMBOL	MIN	TYP	MAX	UNITS
Clock High Time	$t_{CHCX}$	10			ns
Clock Low Time	$t_{CLCX}$	10			ns
Clock Rise Time	$t_{CLCL}$			5	ns
Clock Fall Time	$t_{CHCL}$			5	ns

## SERIAL PORT MODE 0 TIMING CHARACTERISTICS

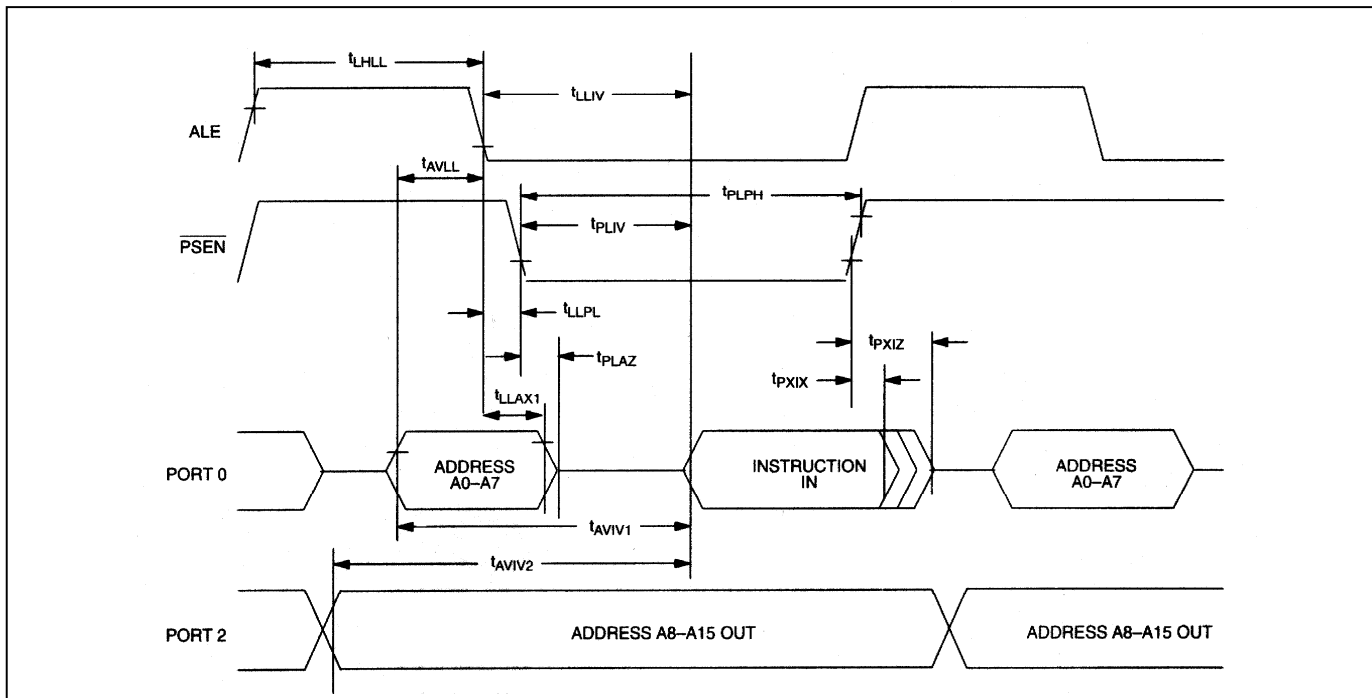
PARAMETER	SYMBOL	CONDITIONS	MIN	TYP	MAX	UNITS
Serial Port Clock Cycle Time	$t_{XLXL}$	SM2 = 0, 12 clocks per cycle		$12t_{CLCL}$		ns
		SM2 = 1, 4 clocks per cycle		$4t_{CLCL}$		
Output Data Setup to Clock Rising	$t_{QVXH}$	SM2 = 0, 12 clocks per cycle		$10t_{CLCL}$		ns
		SM2 = 1, 4 clocks per cycle		$3t_{CLCL}$		
Output Data Hold from Clock Rising	$t_{XHGX}$	SM2 = 0, 12 clocks per cycle		$2t_{CLCL}$		ns
		SM2 = 1, 4 clocks per cycle		$t_{CLCL}$		
Input Data Hold after Clock Rising	$t_{XHDX}$	SM2 = 0, 12 clocks per cycle		$t_{CLCL}$		ns
		SM2 = 1, 4 clocks per cycle		$t_{CLCL}$		
Clock Rising Edge to Input Data Valid	$t_{XHDV}$	SM2 = 0, 12 clocks per cycle		$11t_{CLCL}$		ns
		SM2 = 1, 4 clocks per cycle		$3t_{CLCL}$		

## DEFINITION OF AC SYMBOLS

In an effort to remain compatible with the original 8051 family, this device specifies the same parameters as such devices, using the same symbols. For completeness, the following are description of the symbols.

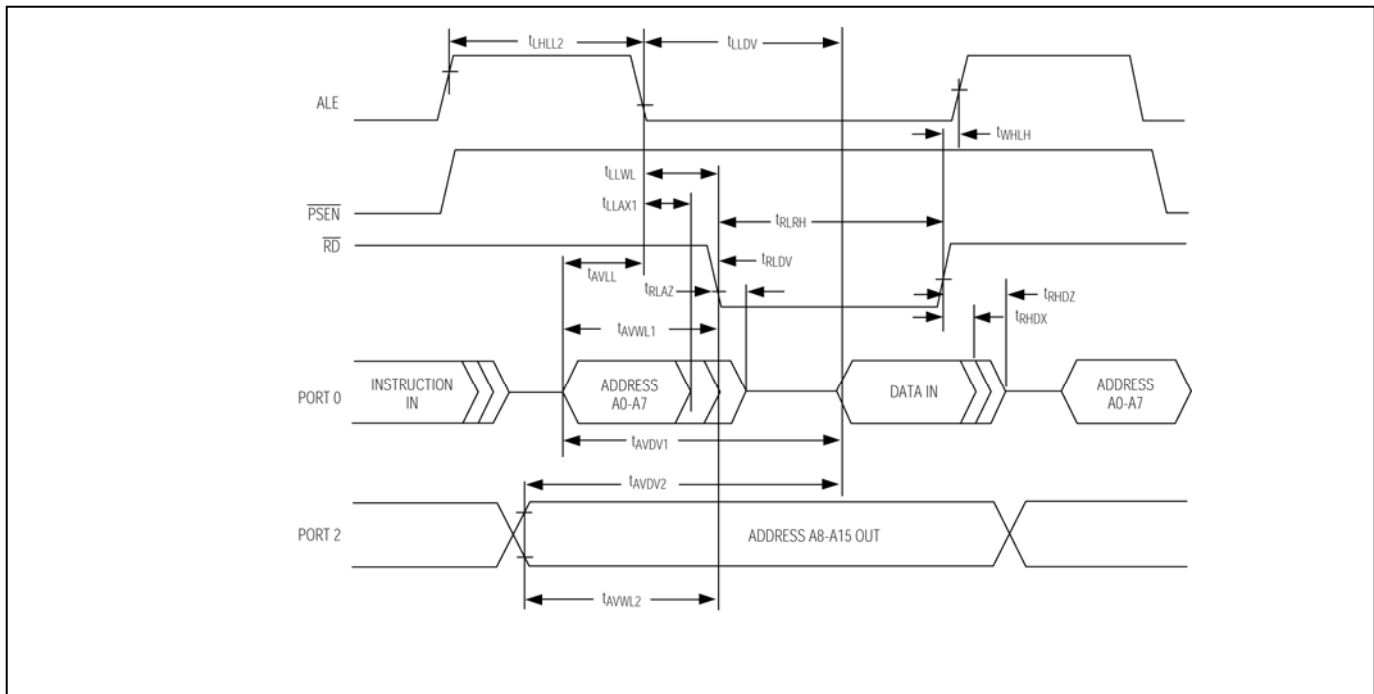
t	Time
A	Address
C	Clock
D	Input Data
H	Logic Level High
L	Logic Level Low
I	Instruction
P	$\overline{PSEN}$
Q	Output Data
R	$\overline{RD}$ Signal
V	Valid
W	$\overline{WR}$ Signal
X	No longer a valid logic level
Z	Tri-State

## EXTERNAL PROGRAM MEMORY READ CYCLE

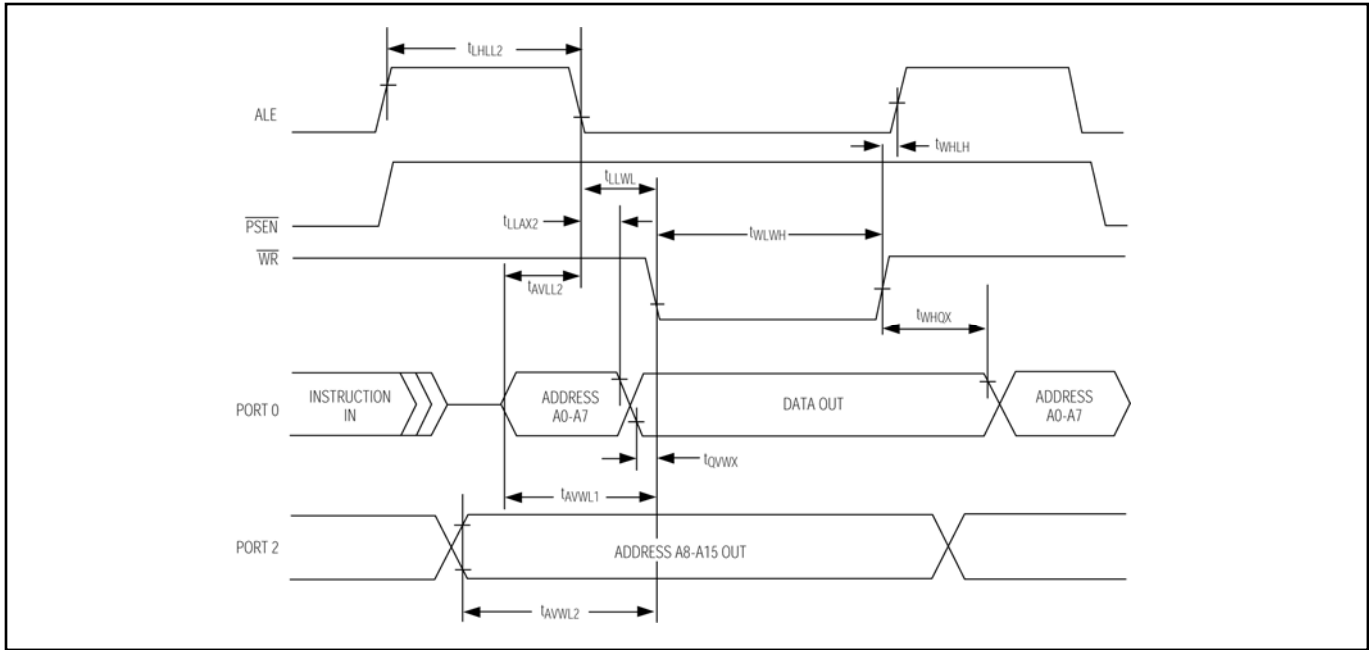




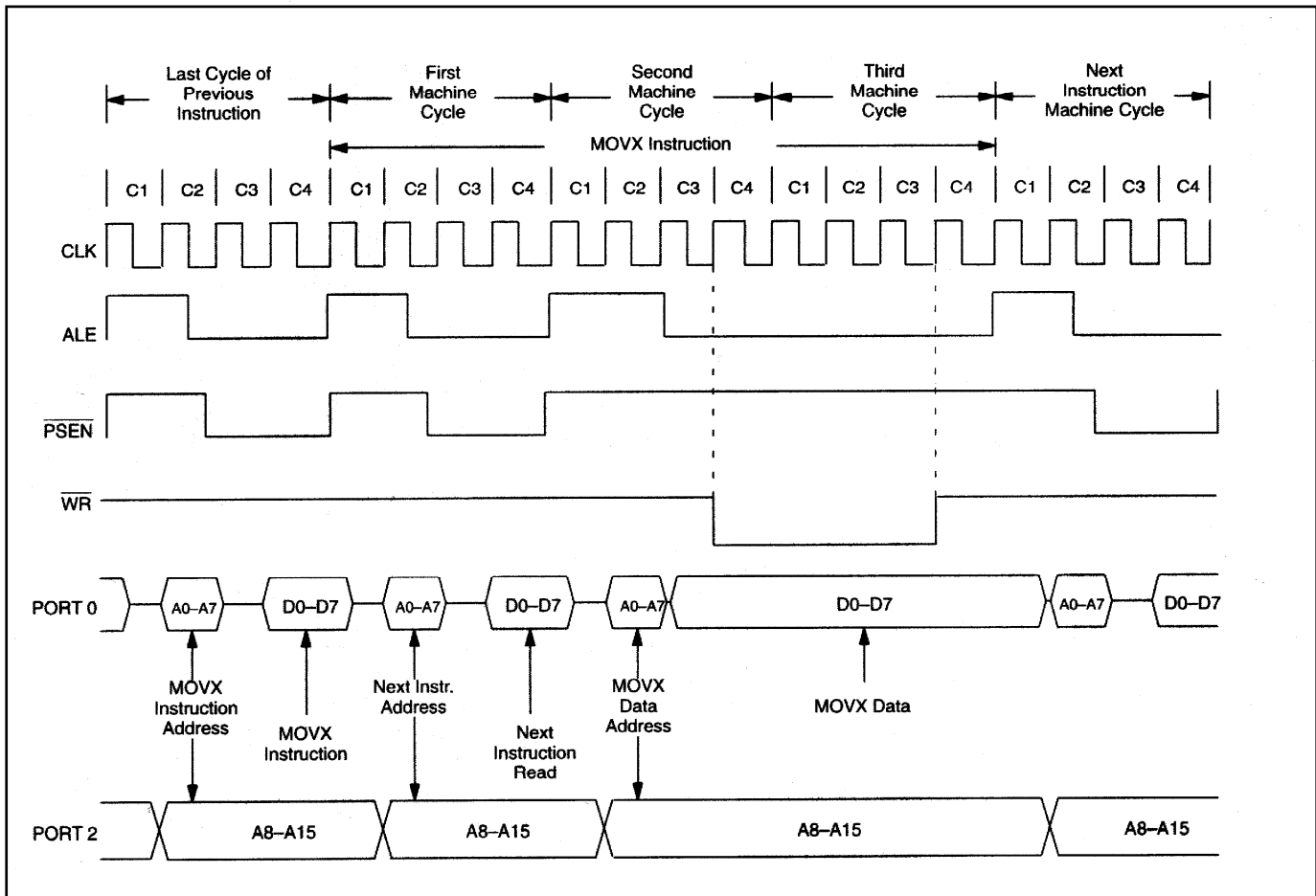
## EXTERNAL DATA MEMORY READ CYCLE



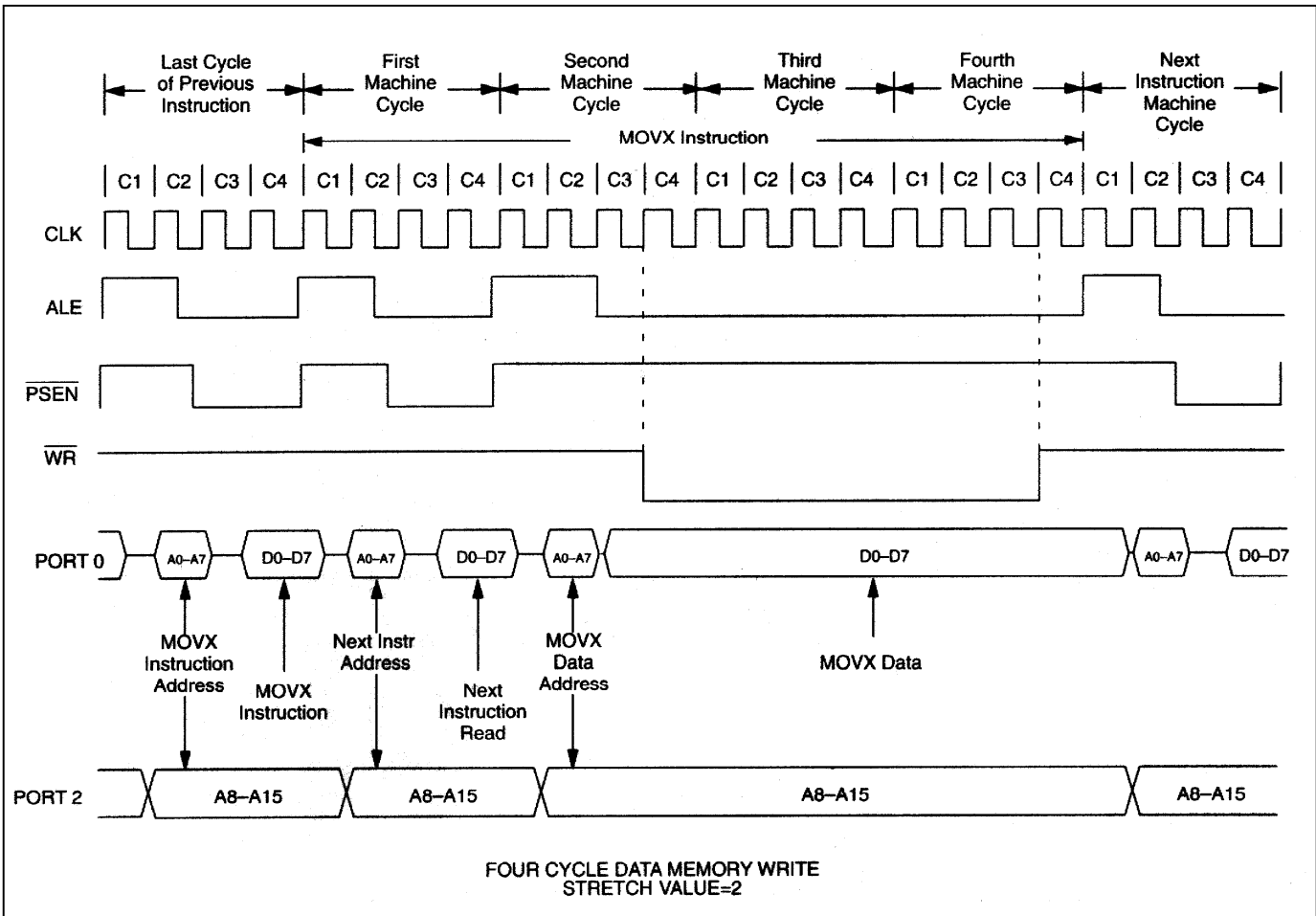
### DATA MEMORY WRITE CYCLE



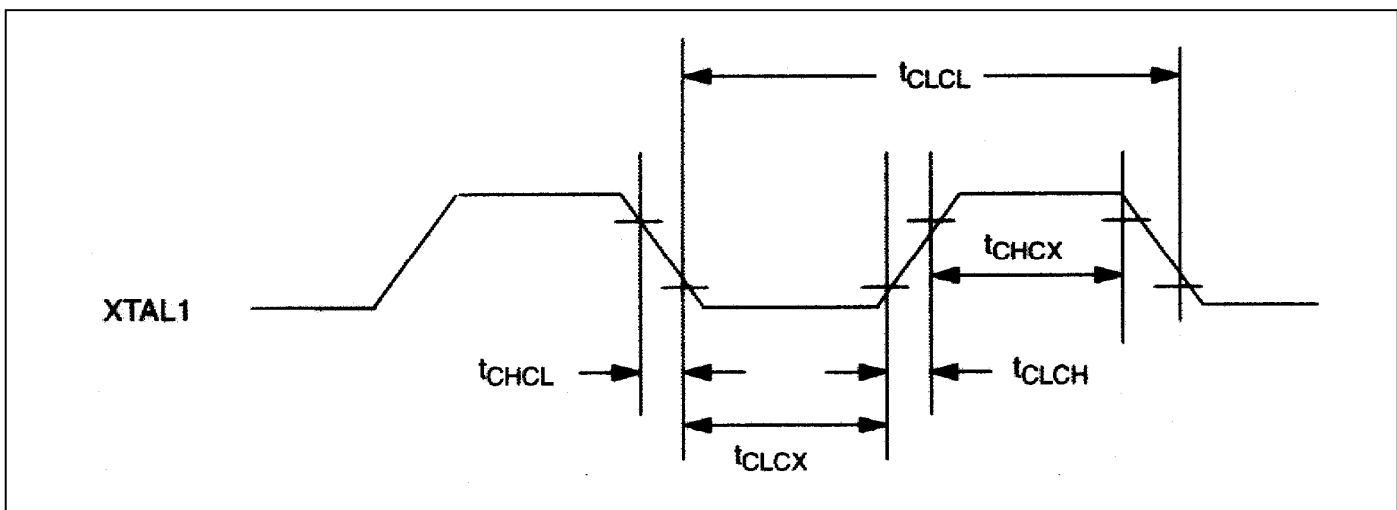
### DATA MEMORY WRITE WITH STRETCH = 1



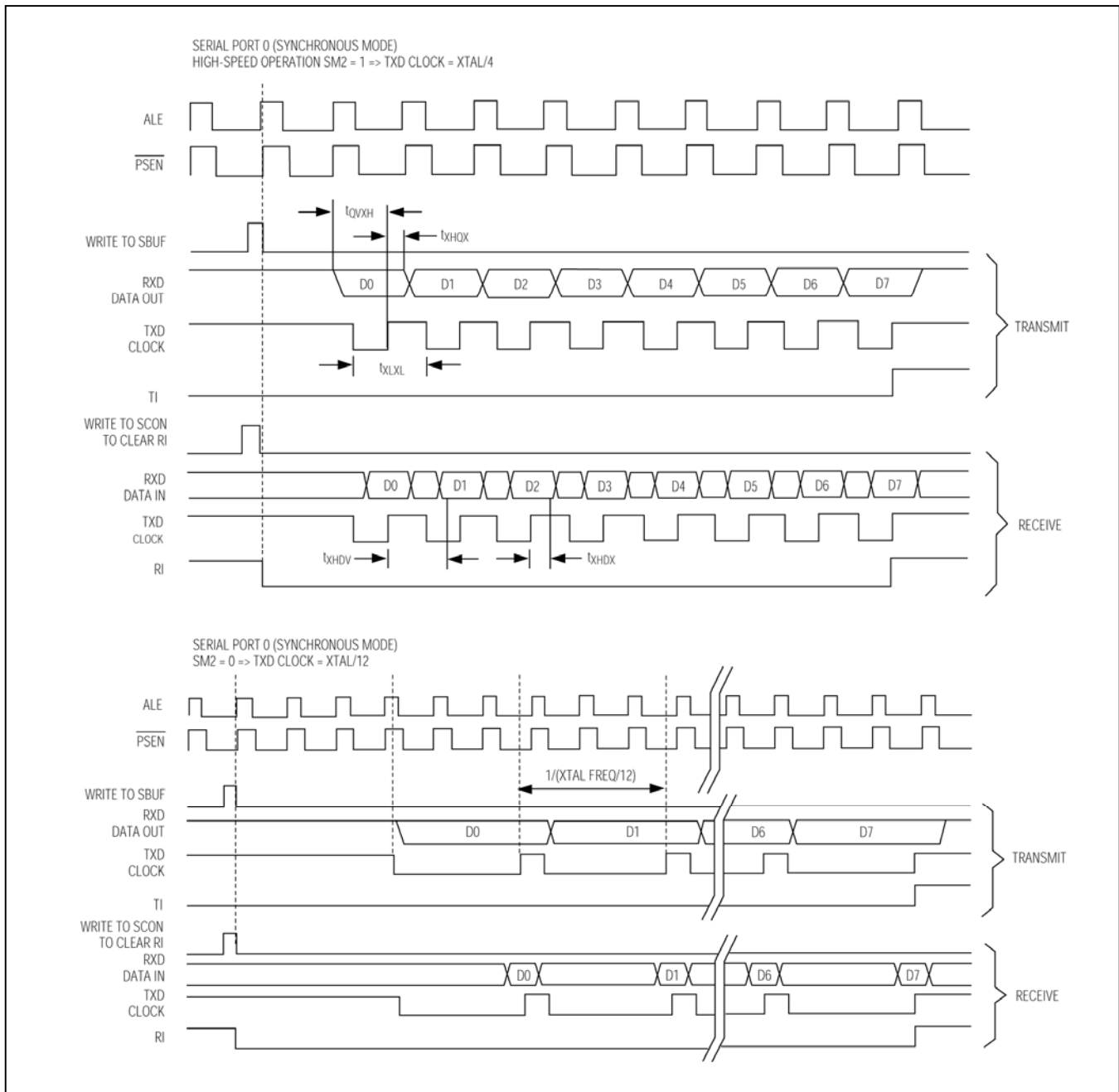
### DATA MEMORY WRITE WITH STRETCH = 2



### EXTERNAL CLOCK DRIVE



## SERIAL PORT MODE 0 TIMING



**PACKAGE INFORMATION**

For the latest package outline information and land patterns, go to [www.maxim-ic.com/packages](http://www.maxim-ic.com/packages).

<b>PACKAGE TYPE</b>	<b>PACKAGE CODE</b>	<b>DOCUMENT NO.</b>
44 TQFP	C44+2	<a href="#">21-0293</a>
40 PDIP	P40+1	<a href="#">21-0044</a>
44 PLCC	Q44+1	<a href="#">21-0049</a>

## REVISION HISTORY

REVISION DATE	DESCRIPTION	PAGES CHANGED
090198	<ol style="list-style-type: none"> <li>1) Added note to clarify <math>I_{IL}</math> specification.</li> <li>2) Changed serial port mode 0 timing diagram label from <math>t_{QVXL}</math> to <math>t_{QVXH}</math>.</li> <li>3) Changed minimum oscillator frequency to 1MHz when using external crystal.</li> <li>4) Corrected “Data memory write with stretch” diagrams to show falling edge of ALE coincident with rising edge of C3 clock.</li> </ol>	
012401	<ol style="list-style-type: none"> <li>1) Added errata disclaimer to page 1.</li> </ol>	
102405	<ol style="list-style-type: none"> <li>1) Device moved to qualified status. Removed “Preliminary” status from data sheet.</li> <li>2) Removed references to 33MHz versions of the device.</li> <li>3) Added note requiring 100 machine cycles delay following stop mode exit. This edit transfers existing erratum from errata sheet into data sheet.</li> <li>4) Updated Absolute Maximum Ratings table to match current format.</li> <li>5) Displayed Electrical Characteristics test conditions.</li> <li>6) Added notation that <math>-40^{\circ}\text{C}</math> specifications are guaranteed by design but not tested.</li> <li>7) Clarified DC Electrical Characteristics note that the specification only applies to the first clock cycle following the transition.</li> <li>8) Added lead-free part numbers to Ordering Information table.</li> <li>9) Added <math>t_{AVLL2}</math> specification.</li> <li>10) Updated AC timing characteristics with full characterization data.</li> </ol>	
042106	<ol style="list-style-type: none"> <li>1) Changed lead-free ordering information part numbers to correctly reflect that the “+” comes after part numbers (e.g., DS80C310-MCG+).</li> <li>2) Added Note 2 to the AC Electrical Characteristics and MOVX Characteristics tables.</li> </ol>	13, 14
8/09	Removed additional references to 33MHz versions of the device.	1, 11

# Mouser Electronics

Authorized Distributor

Click to View Pricing, Inventory, Delivery & Lifecycle Information:

## Maxim Integrated:

[DS80C310-ECG+](#) [DS80C310-FCG](#) [DS80C310-MCG](#) [DS80C310-QCG](#) [DS80C310-QCG+T&R](#) [DS80C310-QCG/T&R](#) [DS80C310-QNG+](#) [DS80C310-QNG+T&R](#) [DS80C310-FCG+](#) [DS80C310-MCG+](#) [DS80C310-QCG+](#)