

1000Base-T Magnetics Modules

Link-PP Int'l Technology

- ※Designed to Support 1:1 Turns Ratio Transceivers
- ※Compliant with IEEE 802.3ab standard for 1000Base-T
- ※For RoHS part add suffix NL*



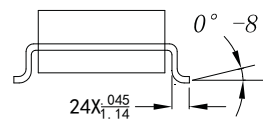
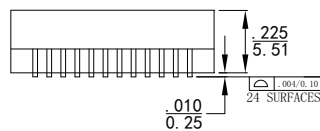
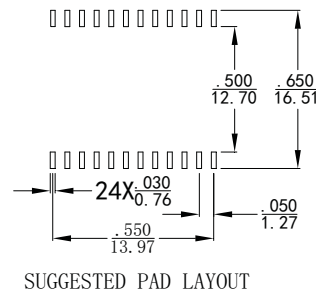
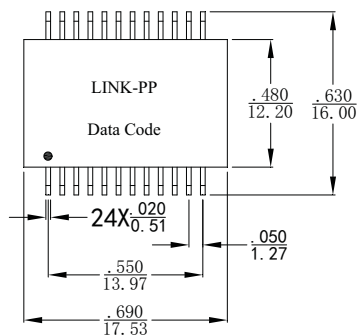
Electrical Specifications @ 25°C --- Operating Temperature 0°C to 70°C

Part Number	Insertion Loss (dB MAX)	Return Loss (dB MIN @ 100 Ω)					Differential to Common Mode Rejection (dB MIN)			Crosstalk (dB MIN)			Hipot (Vrms MIN)
		1-100MHz	1-30MHz	40MHz	50 MHz	60-80 MHz	100 MHz	30 MHz	60 MHz	100 MHz	30 MHz	60 MHz	
LP5004	1.0	-18	-18	-16	-12	-10	-43	-37	-33	-45	-40	-35	1500
LP5007	1.0	-18	-18	-16	-12	-10	-43	-37	-33	-45	-40	-35	1500

*.Add suffix NL for ROHS compliant, eg:LP5007 changes to LP5007NL

Mechanical

LP5004,LP5007

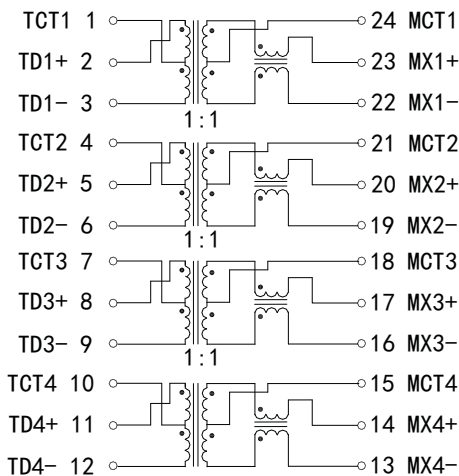


Dimensions: $\frac{\text{Inches}}{\text{mm}}$

Unless otherwise specified, all tolerances are ± 0.010

Schematics

LP5004



LP5007

