



## Connector Series

Wire To Board Smt Connector

Wire To Board Dip Connector

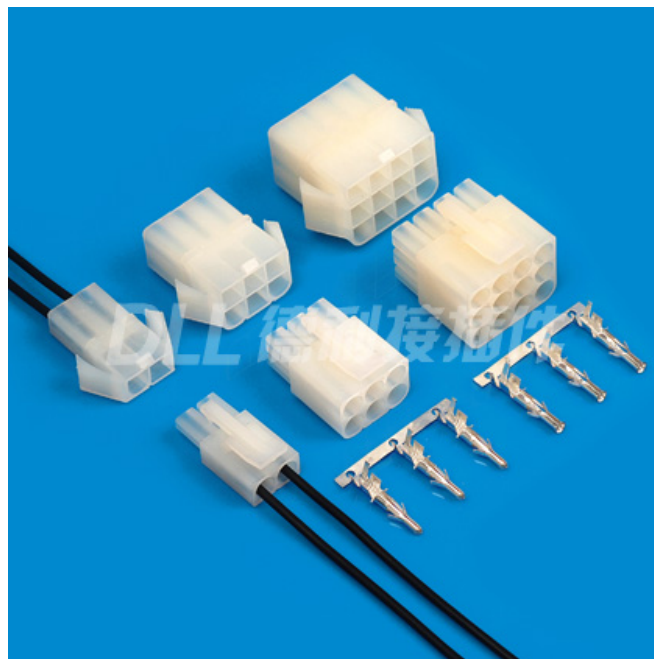
Wire To Wire Connector

Board To Board Connector

Special Connector

## Big Terminals Series

Terminals Series



## DL62001 (L6.2 Series)

**Pitch: 6.2mm**

**Category: Wire To Wire Connector**

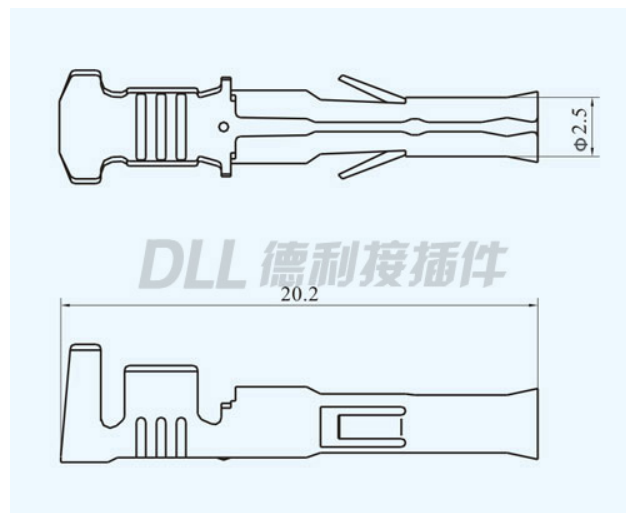
### Specifications

|                       |                 |
|-----------------------|-----------------|
| Rated voltage         | 300V AC, DC     |
| Rated current         | 15A AC, DC      |
| Contact resistance    | 20mΩ max        |
| Insulation resistance | 1000MΩ min      |
| Withstand voltage     | 1500V AC/minute |
| Ambient temperature   | -25°C ~ +85°C   |
| Wire range            | AWG#22 ~ #16    |

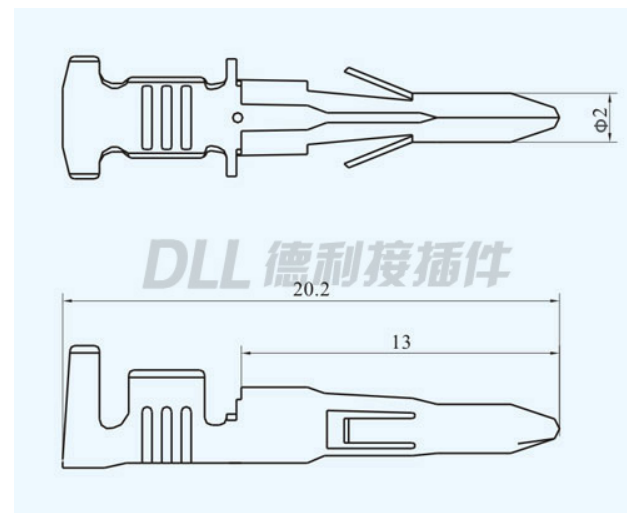
### Materials

|                    |                  |
|--------------------|------------------|
| Receptacle Housing | Nylon UL94-V0(2) |
| Plug Housing       | Nylon UL94-V0(2) |

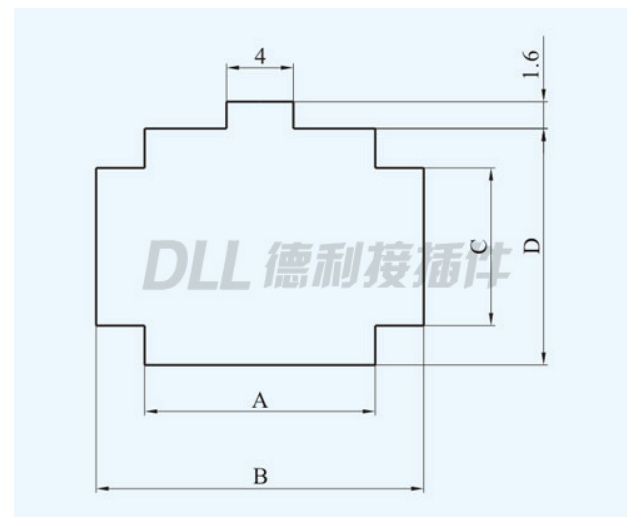
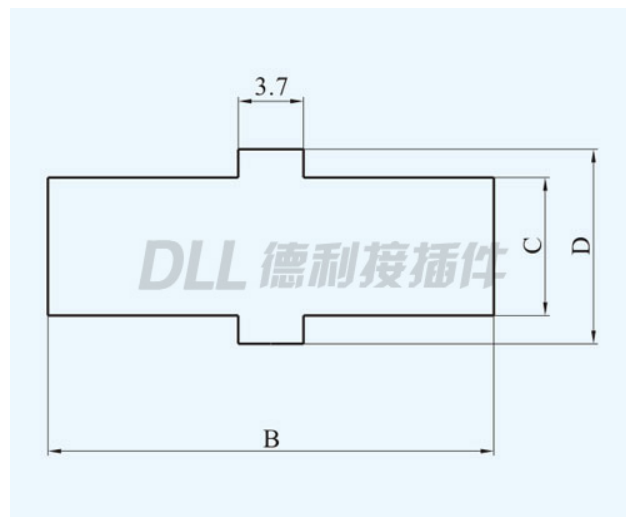
DL62001-T(L6.2-T)

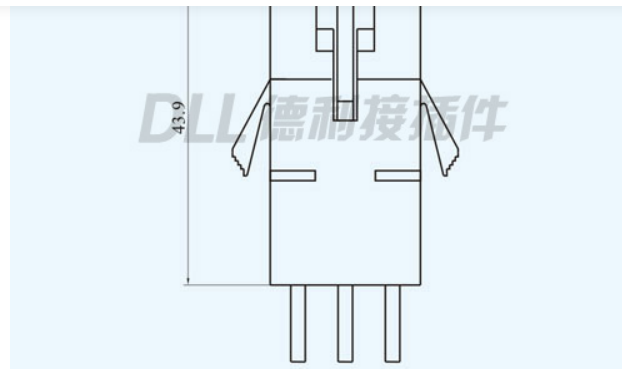


DL62001-RT(L6.2-RT)



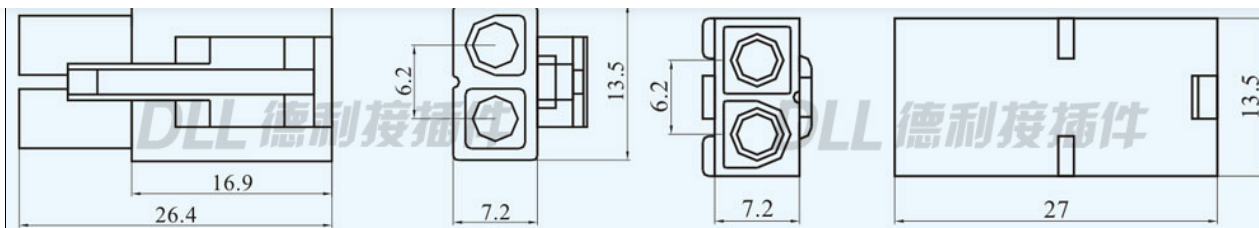
Mounting Measurement



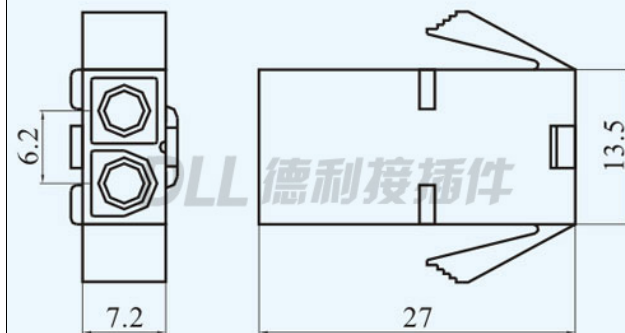


Note: Above drawings are for reference only, please consult with our sales staffs for details

| Plug Housing        | Receptacle Housing    |
|---------------------|-----------------------|
| DL62001-1Y(L6.2-1Y) | DL62001-1RF(L6.2-1RF) |
|                     |                       |
| DL62001-2Y(L6.2-2Y) | DL62001-2RF(L6.2-2RF) |

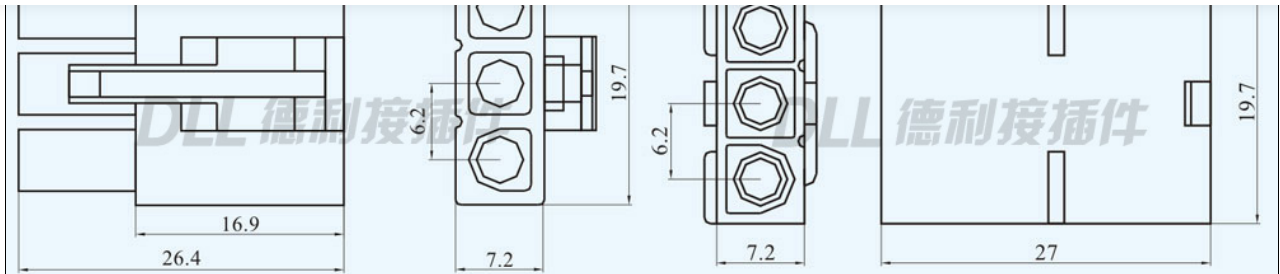


DL62001-2R(L6.2-2R)

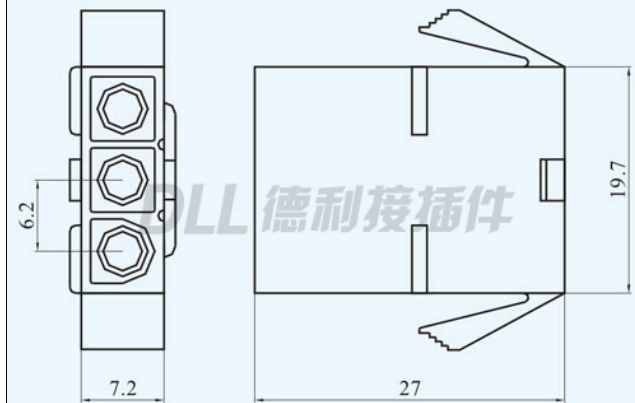


DL62001-3Y(L6.2-3Y)

DL62001-3RF(L6.2-3RF)

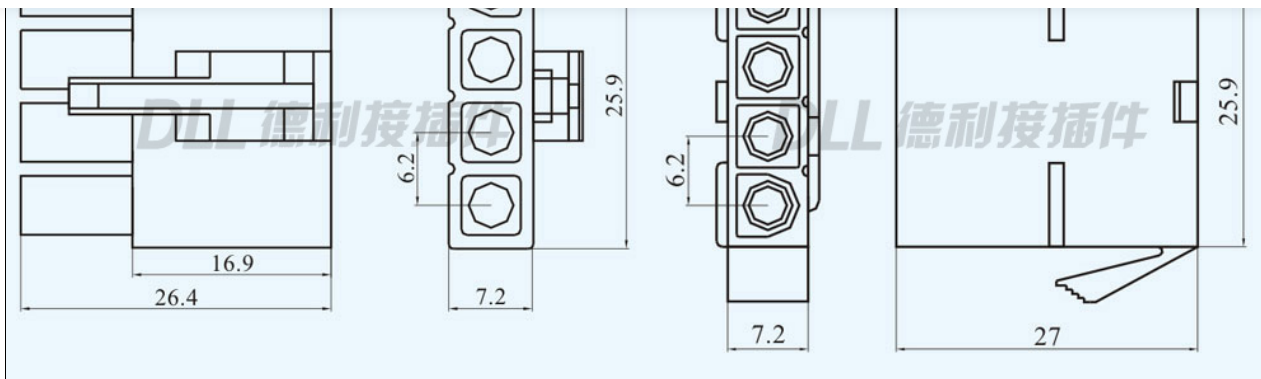


**DL62001-3R(L6.2-3R)**



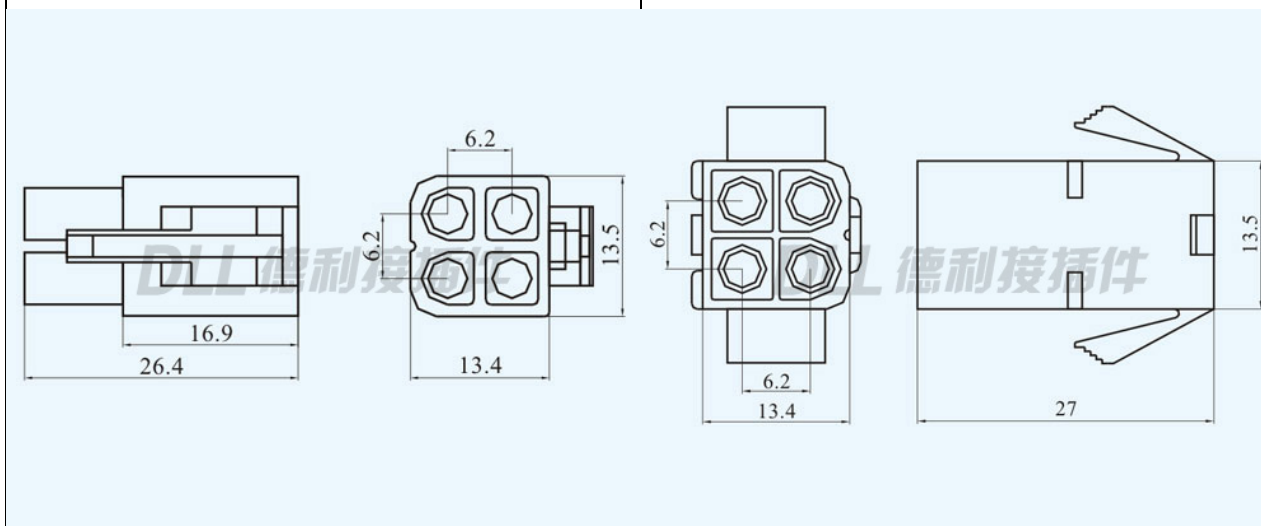
**DL62001-4YM(L6.2-4YM)**

**DL62001-4RM(L6.2-4RM)**



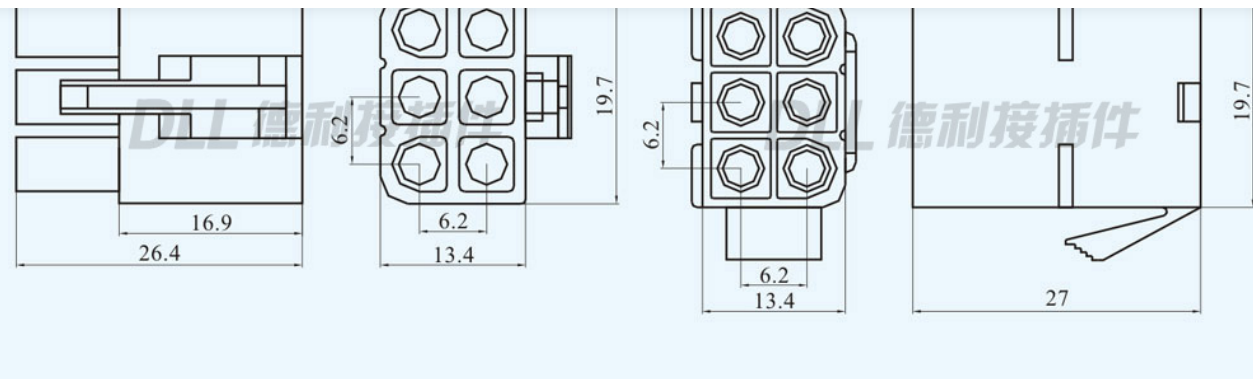
DL62001-4Y(L6.2-4Y)

DL62001-4R(L6.2-4R)



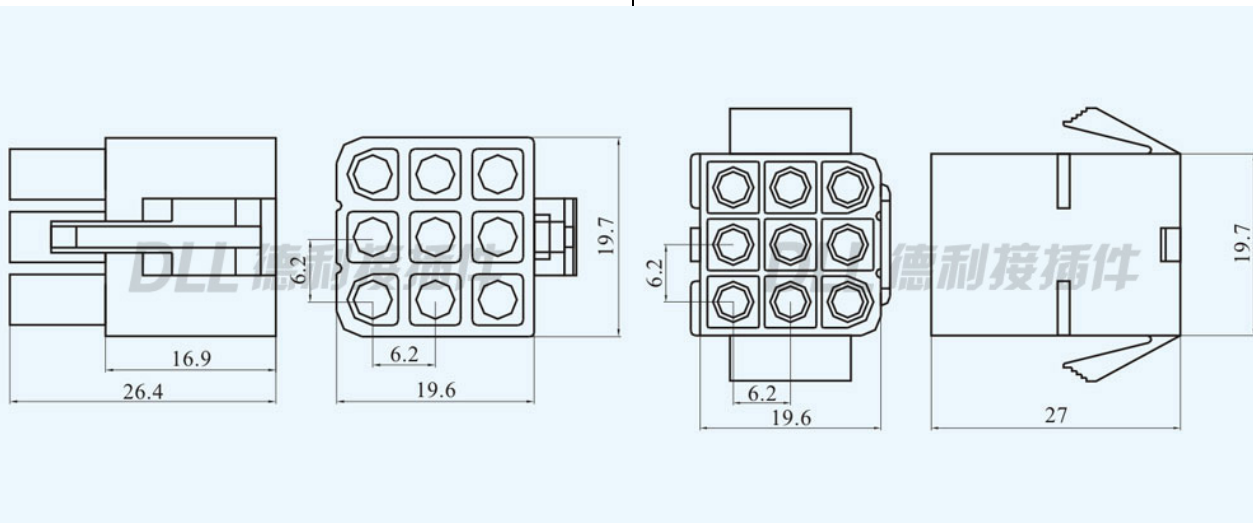
DL62001-6Y(L6.2-6Y)

DL62001-6R(L6.2-6R)



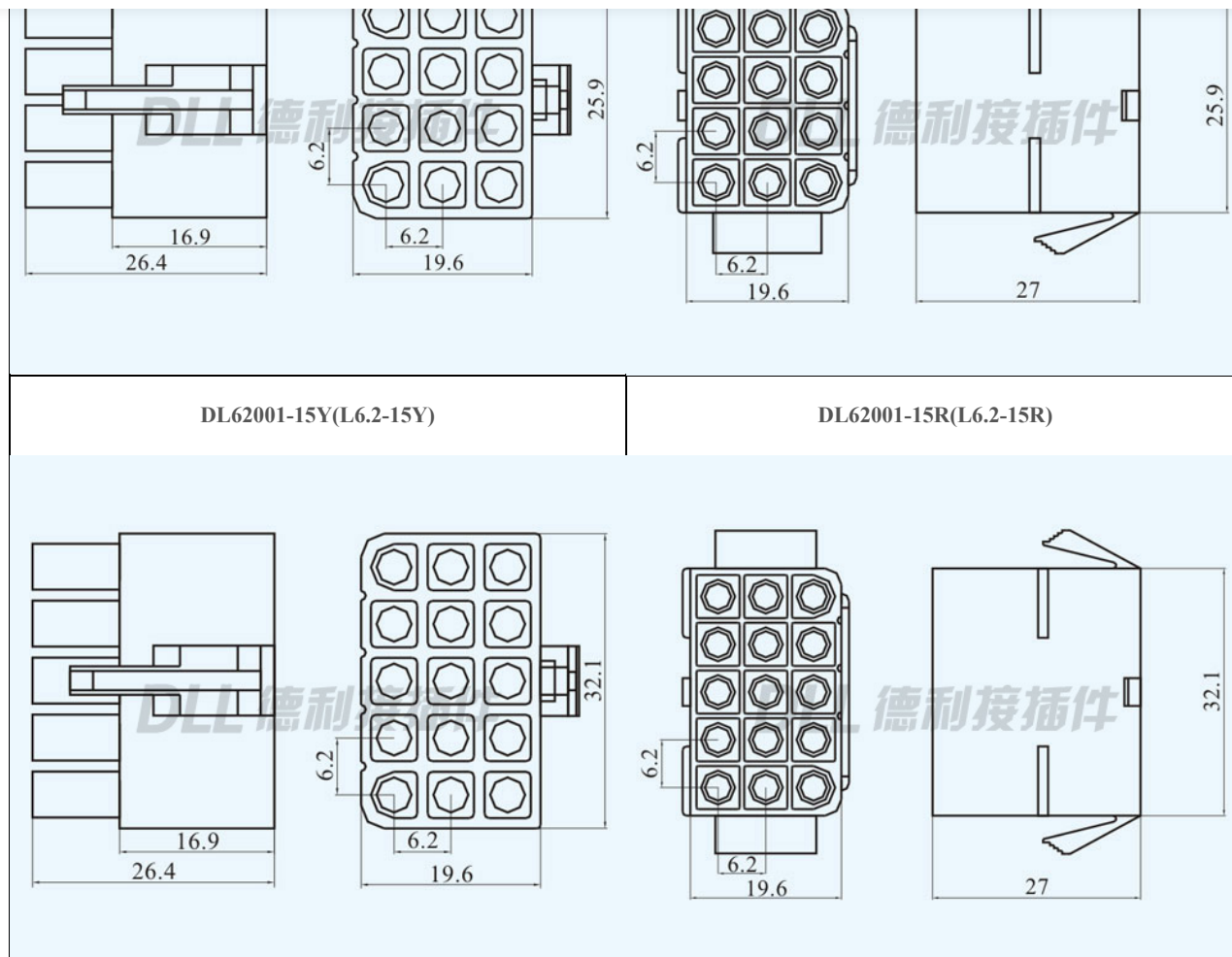
DL62001-9Y(L6.2-9Y)

DL62001-9R(L6.2-9R)



DL62001-12Y(L6.2-12Y)

DL62001-12R(L6.2-12R)



Last: DL60001 (LB Series)

Next: DL62002 (VL Series)



---

Copyright 2018 Zhejiang Deli Connector Co. Ltd. All rights reserved