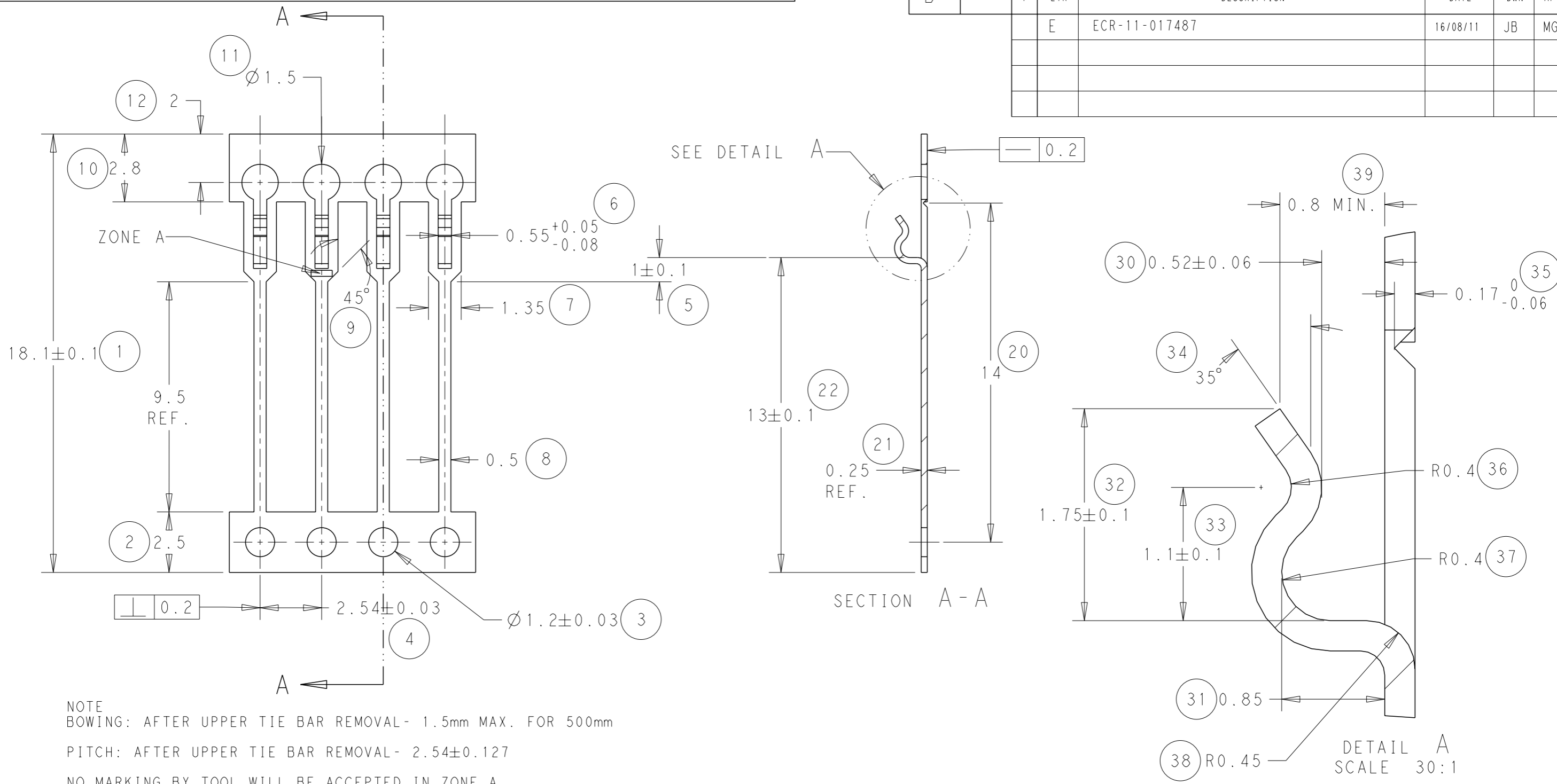
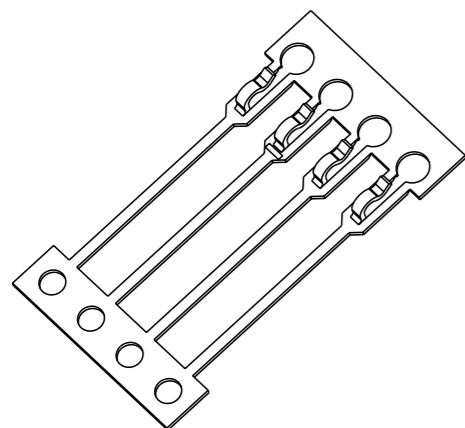


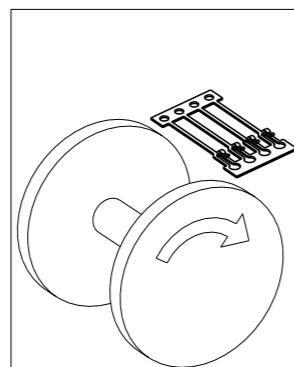
LOC	DIST	REVISIONS					
		P	LTR	DESCRIPTION	DATE	DWN	APVD
B	-		E	ECR-11-017487	16/08/11	JB	MG



NOTE
 BOWING: AFTER UPPER TIE BAR REMOVAL- 1.5mm MAX. FOR 500mm
 PITCH: AFTER UPPER TIE BAR REMOVAL- 2.54±0.127
 NO MARKING BY TOOL WILL BE ACCEPTED IN ZONE A.



SCALE 3:1



DIRECTION OF TOP OF REEL

DIRECTION "0"
 CONTACTS DOWN
 DIRECTION "1"
 CONTACTS UPWARDS
 DIRECTION

THIS DRAWING IS A CONTROLLED DOCUMENT.

DIMENSIONS: mm

TOLERANCES UNLESS OTHERWISE SPECIFIED:

- 0 PLC ±-
- 1 PLC ±-
- 2 PLC ±0.05
- 3 PLC ±-
- 4 PLC ±-
- ANGLES ±0.5
- FINISH -

MATERIAL SEE ABOVE

DWN J. BRIGHT 16/08/11
 CHK M. GREENER 16/08/11
 APVD D. PENNINGTON 16/08/11
 PRODUCT SPEC -
 APPLICATION SPEC -
 WEIGHT -

0	Ni & Sn	1544425-2
0	Sn	1544425-1
REELING	FINISH	PART NUMBER



NAME SIL CONTACT			
SIZE A3	CAGE CODE 00779	DRAWING NO C-1544425	RESTRICTED TO -
CUSTOMER DRAWING		SCALE NTS	SHEET 1 OF 1 REV E

Mouser Electronics

Authorized Distributor

Click to View Pricing, Inventory, Delivery & Lifecycle Information:

[TE Connectivity:](#)

[1544425-2](#)