


AC Current Transformer 50/60 Hz

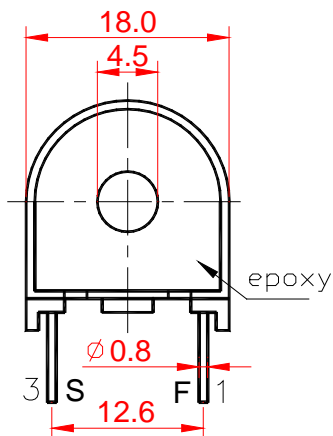
CT05-3 Series

RoHS Compliant
CE/UL- Approved

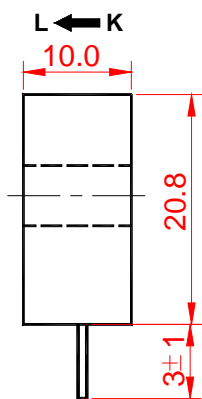
Part Number	Electrical Characteristic				Photo
	Current Ratio	Accuracy Class (%)	Turns Ratio (Np:Ns)	RL (Ω)	
CT053100 S	10A / 10mA	3	1: 1000	100	
CT053100 P	5A / 5mA	3	1: 1000	10	
CT053100 A	5A / 5mA	3	1: 1000	10	

Mechanical Dimensions in mm

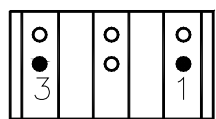
Test Circuit



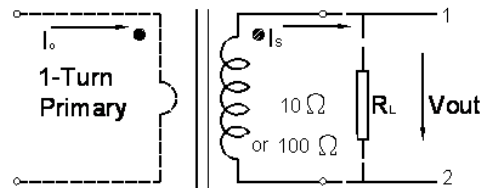
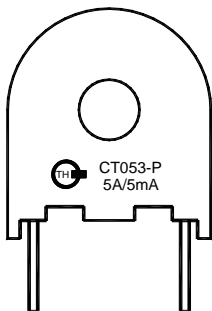
Front view



Left view



Bottom view



AC Current Transformer 50/60 Hz

CT05-3 Series

RoHS Compliant

CE/UL- Approved

