

UAA1041B

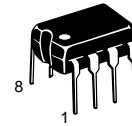
Automotive Direction Indicator

This device was designed for use in conjunction with a relay in automotive applications. It is also applicable for other warning lamps such as "handbrake ON," etc.

- Defective Lamp Detection
- Overvoltage Protection
- Short Circuit Detection and Relay Shutdown to Prevent Risk of Fire
- Reverse Battery Connection Protection
- Integrated Suppression Clamp Diode

AUTOMOTIVE DIRECTION INDICATOR

SEMICONDUCTOR TECHNICAL DATA

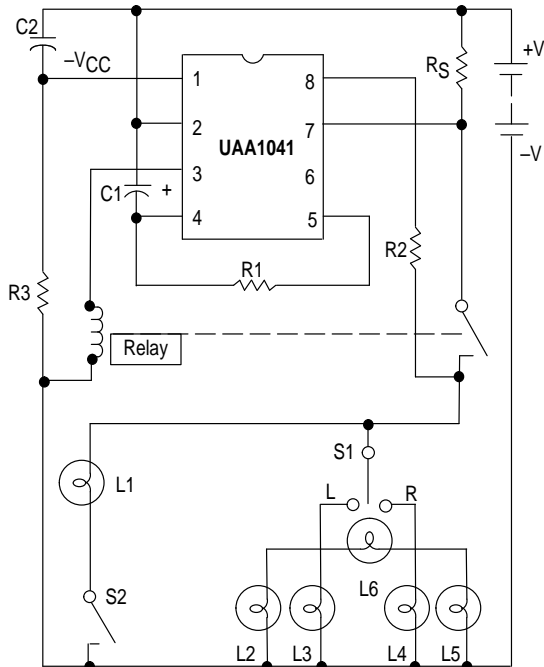


NO SUFFIX
PLASTIC PACKAGE
CASE 626



D SUFFIX
PLASTIC PACKAGE
CASE 751
(SO-8)

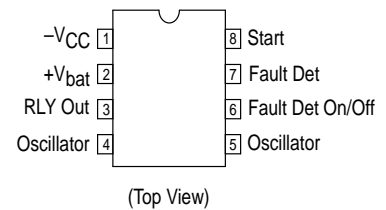
Figure 1. Typical Automotive System



L1: 1.2 W, warning light handbrake ON
L2, L3, L4, L5: 21 W, turn signals

R1 = 75 k RS = 30 mΩ
R2 = 3.3 k C1 = 5.6 μF
R3 = 220 Ω C2 = 0.047 μF

PIN CONNECTIONS



ORDERING INFORMATION

Device	Operating Temperature Range	Package
UAA1041BD	TA = -40° to +100°C	SO-8
UAA1041B		Plastic DIP

UAA1041B

MAXIMUM RATINGS

Rating	Pin	Value	Unit
Current: Continuous/Pulse*	1	+150/+500 -35/-500	mA
	2	±350/1900	
	3	±300/1400	
	8	±25/50	
Junction Temperature	T _J	150	°C
Operating Ambient Temperature Range	T _A	-40 to + 100	°C
Storage Temperature Range	T _{stg}	-65 to + 150	°C
Thermal Resistance, Junction-to-Ambient	R _{θJA}	100	°C/W (Typ)

* One pulse with an exponential decay and with a time constant of 500 ms.

ELECTRICAL CHARACTERISTICS (T₁ = 25°C)

Characteristics	Symbol	Min	Typ	Max	Unit
Battery Voltage Range (normal operation)	V _B	8.0	-	18	V
Overvoltage Detector Threshold (V _{Pin2} -V _{Pin1})	D _{th(OV)}	19	20.2	21.5	V
Clamping Voltage (V _{Pin2} -V _{Pin1})	V _{IK}	29	31.5	34	V
Short Circuit Detector Threshold (V _{Pin2} -V _{Pin7})	D _{th(SC)}	0.63	0.7	0.77	V
Output Voltage (I _{relay} = -250 mA) (V _{Pin2} -V _{Pin3})	V _O	-	-	1.5	V
Starter Resistance R _{st} = R ₂ + R _{Lamp}	R _{st}	-	-	3.6	kΩ†
Oscillator Constant (normal operation)	K _n	1.4	1.5	1.6	-
Temperature Coefficient of K _n	K _n	-	-1.5x10 ⁻³	-	1/°C
Duty Cycle (normal operation)	-	45	50	55	%
Oscillator Constant - (1 lamp defect of 21 W)	K _F	0.63	0.68	0.73	-
Duty Cycle (1 lamp defect of 21 W)	-	35	40	45	%
Oscillator Constant	K1	0.167	0.18	0.193	-
	K2	0.25	0.27	0.29	
	K3	0.126	0.13	0.14	
Current Consumption (relay off) Pin 1; at V _{Pin2} - V _{Pin1} = 8.0 V = 13.5 V = 18 V	I _{CC}	- -2.5 -	-0.9 -1.6 -2.2	- -1.0 -	mA
Current Consumption (relay on) Pin 1; at V _{Pin2} - V _{Pin1} = 8.0 V = 13.5 V = 18 V	-	- - -	-3.8 -5.6 -6.9	- - -	mA
Defect Lamp Detector Threshold at V _{Pin2} to V _B = 8.0 V and R ₃ = 220 Ω	V _{Pin2} -V _{Pin7}	-	68	-	mV
	V _{Pin2} -V _{Pin7}	79	85.3	91	
	V _{Pin2} -V _{Pin7}	-	100	-	

† See Note 1 of Application Information

UAA1041B

CIRCUIT DESCRIPTION

The circuit is designed to drive the direction indicator flasher relay. Figure 2 shows the typical system configuration with the external components. It consists of a network (R1, C1) to determine the oscillator frequency, shunt resistor (R_S) to detect defective bulbs and short circuits in the system, and two current limiting resistors (R₂/R₃) to protect the IC against load dump transients. The circuit can be used either with or without short circuit detection, and features overvoltage, defective lamp and short circuit detection.

The lightbulbs L2, L3, L4, L5 are the turn signal indicators with the dashboard-light L6. When switch S1 is closed, after a time delay of t₁ (in our example t₁ = 75 ms), the relay will be actuated. The corresponding lightbulbs (L2, L3 or L4, L5) will flash at the oscillator frequency, independent of the battery voltage of 8.0 V to 18 V. The flashing cycle stops and the circuit is reset to the initial position when switch S1 is open.

Overvoltage Detection

Senses the battery voltage. When this voltage exceeds 20.2 V (this is the case when two batteries are connected in series), the relay will be turned off to protect the lightbulbs.

Lightbulb Defect Detector

Senses the current through the shunt resistor R_S. When one of the lightbulbs is defective, the failure is indicated by doubling the flashing frequency.

Short Circuit Detector

Detects excessive current (I_{sh} > 25 A) flowing in the shunt resistor R_S. The detection takes place after a time delay of t₃ (t₃ = 55 ms). In this case, the relay will be turned off. The circuit is reset by switching S1 to the off position.

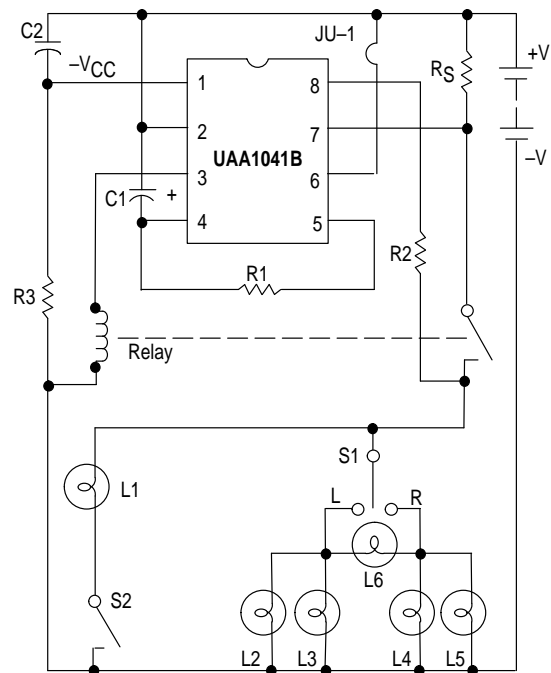
Operation with Short Circuit Detection

Pin 6 has to be left open and a capacitor C₂ has to be connected between Pin 1 and Pin 2.

Operation without Short Circuit Detection

Pin 6 has to be connected to Pin 2, and the use of capacitor C₂ is not necessary. The circuit can also be used for other warning flashers. In this example, when the handbrake is engaged, it is signaled by the light (L1).

Figure 2. Typical System Configuration



PARTS LIST

R1 = 75 kΩ	Relay—Coil Resistance
R2 = 3.3 kΩ	Range 60 Ω to 800 Ω
R3 = 220 Ω	
R _S = 30 mΩ	Note: Per text connect
Wire Resistor	jumper JU-1 bypass
C1 = 5.6 μF	short circuit detector
C2 = 0.047 μF	C2 may be deleted also.

APPLICATION INFORMATION

- The flashing cycle is started by closing S1. The switch position is sensed across resistor R₂ and R_{Lamp} by Input 8.

$$R_{st} = R_2 + R_{Lamp}$$

The condition for the start is: R_{st} < 3.6 kΩ.

For correct operation, leakage resistance from Pin 8 to ground must be greater than 5.6 kΩ.

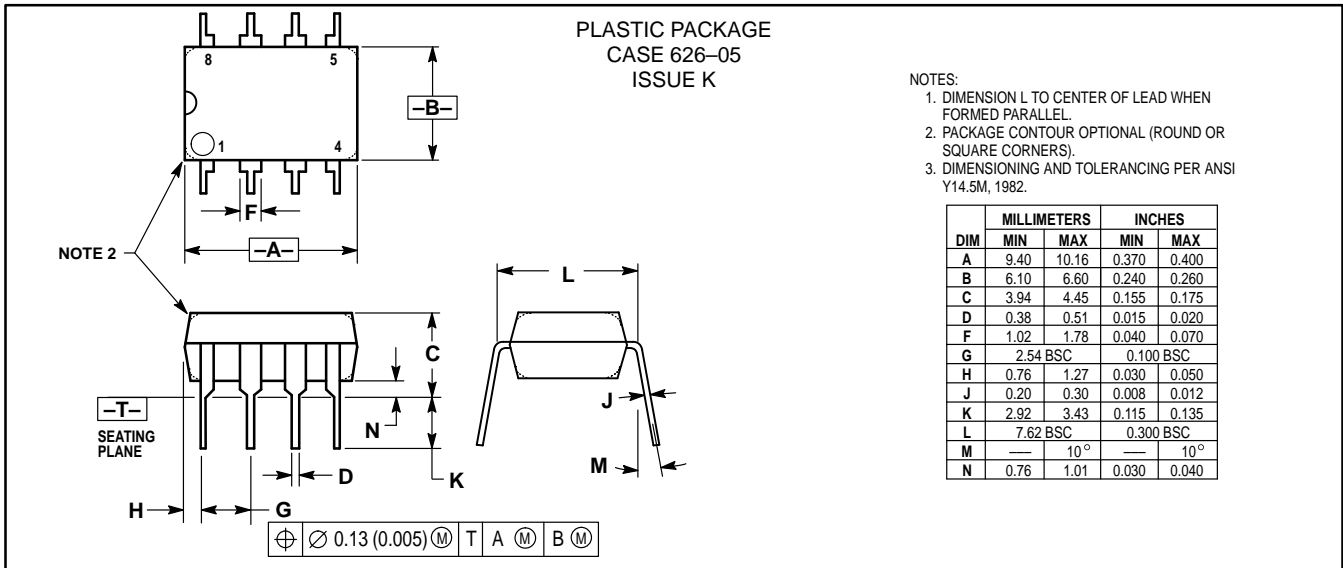
- Flashing frequency: $f_n = \frac{1}{R_1 C_1 K_n}$
- Flashing frequency in the case of one defective lightbulb of 21 W:

$$f_F = \frac{1}{R_1 C_1 K_F} \quad K_n = 2,2 K_F$$

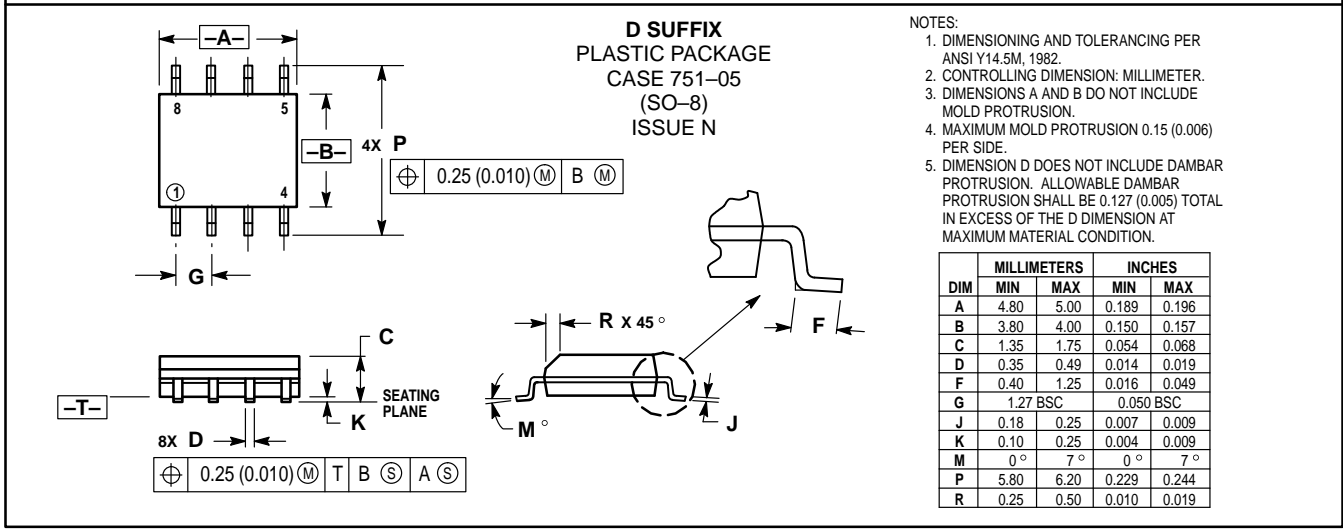
- t₁: delay at the moment when S1 is closed and first flash
t₁ = K₁R₁C
 - t₂: defective lightbulb detection delay t₂ = K₂R₁C₁
 - t₃: short circuit detection delay t₃ = K₁R₁C₁
- In the case of short circuit – it is assumed that the voltage (V_{Pin2} - V_{Pin1}) ≥ 8.0V. The relay will be turned off after delay t₃. The circuit is reset by switching S1 to the off position. The capacitor C₂ is not obligatory when the short circuit detector is not used. In this case Pin 6 has to be connected to Pin 2.
- When overvoltage is sensed (V_{Pin2} - V_{Pin1}) the relay is turned off to protect the relay and the lightbulbs against excessive currents.
- -
 -
 -
 -
 -
 -
 -

UAA1041B

OUTLINE DIMENSIONS



- NOTES:
1. DIMENSION L TO CENTER OF LEAD WHEN FORMED PARALLEL.
 2. PACKAGE CONTOUR OPTIONAL (ROUND OR SQUARE CORNERS).
 3. DIMENSIONING AND TOLERANCING PER ANSI Y14.5M, 1982.



- NOTES:
1. DIMENSIONING AND TOLERANCING PER ANSI Y14.5M, 1982.
 2. CONTROLLING DIMENSION: MILLIMETER.
 3. DIMENSIONS A AND B DO NOT INCLUDE MOLD PROTRUSION.
 4. MAXIMUM MOLD PROTRUSION 0.15 (0.006) PER SIDE.
 5. DIMENSION D DOES NOT INCLUDE DAMBAR PROTRUSION. ALLOWABLE DAMBAR PROTRUSION SHALL BE 0.127 (0.005) TOTAL IN EXCESS OF THE D DIMENSION AT MAXIMUM MATERIAL CONDITION.

Motorola reserves the right to make changes without further notice to any products herein. Motorola makes no warranty, representation or guarantee regarding the suitability of its products for any particular purpose, nor does Motorola assume any liability arising out of the application or use of any product or circuit, and specifically disclaims any and all liability, including without limitation consequential or incidental damages. "Typical" parameters which may be provided in Motorola data sheets and/or specifications can and do vary in different applications and actual performance may vary over time. All operating parameters, including "Typicals" must be validated for each customer application by customer's technical experts. Motorola does not convey any license under its patent rights nor the rights of others. Motorola products are not designed, intended, or authorized for use as components in systems intended for surgical implant into the body, or other applications intended to support or sustain life, or for any other application in which the failure of the Motorola product could create a situation where personal injury or death may occur. Should Buyer purchase or use Motorola products for any such unintended or unauthorized application, Buyer shall indemnify and hold Motorola and its officers, employees, subsidiaries, affiliates, and distributors harmless against all claims, costs, damages, and expenses, and reasonable attorney fees arising out of, directly or indirectly, any claim of personal injury or death associated with such unintended or unauthorized use, even if such claim alleges that Motorola was negligent regarding the design or manufacture of the part. Motorola and registered trademarks of Motorola, Inc. Motorola, Inc. is an Equal Opportunity/Affirmative Action Employer.

How to reach us:
USA/EUROPE/Locations Not Listed: Motorola Literature Distribution;
 P.O. Box 20912; Phoenix, Arizona 85036. 1-800-441-2447 or 602-303-5454
MFAX: RMFAX0@email.sps.mot.com – TOUCHTONE 602-244-6609
INTERNET: http://Design-NET.com

JAPAN: Nippon Motorola Ltd.; Tatsumi-SPD-JLDC, 6F Seibu-Butsuryu-Center,
 3-14-2 Tatsumi Koto-Ku, Tokyo 135, Japan. 03-81-3521-8315
ASIA/PACIFIC: Motorola Semiconductors H.K. Ltd.; 8B Tai Ping Industrial Park,
 51 Ting Kok Road, Tai Po, N.T., Hong Kong. 852-26629298

