

HRS4

POWER RELAY

Safety Approval



NO. 1063016 (LR 109368)



US NO. E164730 NO. E322395



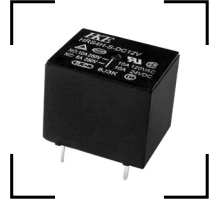
NO. CQC08002027614



NO. 50116136

Features

- Miniature relay
- Dimension: 19.0×15.5×15.8(mm)
- Contact: 1 Form A, 1 Form B, 1 Form C
- TV-5 rating
- UL Class F insulation



ORDERING INFORMATION

HRS4 H - S - DC12V - A

Model	Coil Sensitivity	Enclosure	Coil Voltage	Contact Form
	H - High Sensitivity (360mW) Blank - Standard (450mW)	S - Plastic Sealed Type	DC3V, DC5V, DC6V, DC9V, DC12V, DC24V, DC48V	A - 1 Form A B - 1 Form B C - 1 Form C

SPECIFICATION

CONTACT DATA

Contact Form	1 Form A, 1 Form B, 1 Form C	
Contact Material	Ag Alloy	
Contact Rating	A: 15A 125VAC, 10A 250VAC C: NO: 10A 250VAC/24VDC NC: 6A 250VAC/24VDC TV-5 125VAC	
Contact Resistance	Max. 100mΩ (6VDC 1A)	
Load	Max. Switching Voltage	250VAC/30VDC
	Max. Switching Current	15A
	Max. Switching Power	2,500VA, 300W
	Min. Switching Load	5VDC, 100mA
Life	Electrical	100,000 operations
	Mechanical	10,000,000 operations

GENERAL DATA

Insulation Resistance		Min. 1000MΩ 500VDC
Dielectric Strength	Between open contacts	750VAC, 1 min
	Between coil and contacts	1,500VAC, 1min
Operate Time	Max. 10ms	
Release Time	Max. 5ms	
Operating Temperature	-40℃ to +85℃	
Humidity	35~95%RH, +40℃	
Shock Resistance	Endurance	1,000m/s ²
	Misoperation	100m/s ²
Vibration Resistance	Endurance	10~55Hz, 1.5mm double amplitude
	Misoperation	10~55Hz, 1.5mm double amplitude
Weight	Approximately 10.0g	

Note: Data shown are of initial value

COIL DATA

Nominal Coil Power	360mW, 450mW
--------------------	--------------

SAFETY APPROVAL

File Number	Contact Form	Power Consumption	Coil Voltage	Contact Rating	Remark
CQC 08002027614 (GB/T 21711.1-2008)	A	0.36W/0.45W	3 - 48VDC	10A 250VAC	Ambient Temperature: 85℃
	B	0.36W/0.45W	3 - 48VDC	6A 250VAC	Ambient Temperature: 85℃
	C	0.36W/0.45W	3 - 48VDC	NO/NC: 10A/6A 250VAC	Ambient Temperature: 85℃

ISO9001、ISO/TS16949、ISO14001 Approved

HKE HRS4-223

HRS4

POWER RELAY

SAFETY APPROVAL

File Number	Contact Form	Power Consumption	Coil Voltage	Contact Rating	Remark
TUV 50116136	A/B/C	0.36W/0.45W	3 - 48VDC	NO/NC: 10A/6A 250VAC	Ambient Temperature: 105°C
TUV50116136 (EN 60730-1)				NO: 10A(2)A 250VAC NC: 6(1)A 250VAC	Ambient Temperature: 105°C
UL E164730	A	0.36W/0.45W	3 - 48VDC	15A 125VAC	Class F Insulation Ambient Temperature: 105°C
	A/C	0.36W/0.45W	3 - 48VDC	10A 120VAC/28VDC	Class F Insulation Ambient Temperature: 105°C
				10A 277VAC	Class F Insulation
				TV-5 125VAC	Ambient Temperature: 85°C
UL E322395	A/C	0.36W/0.45W	3 - 48VDC	1/2HP 120VAC 1/2HP 240VAC	NLDX Category (N.O.Contact side)
CSA 1063016 (LR 109368)	A/C	0.36W/0.45W	3 - 48VDC	10A 120VAC/24VDC	—

Specifications subject to change without notice

COIL DATA

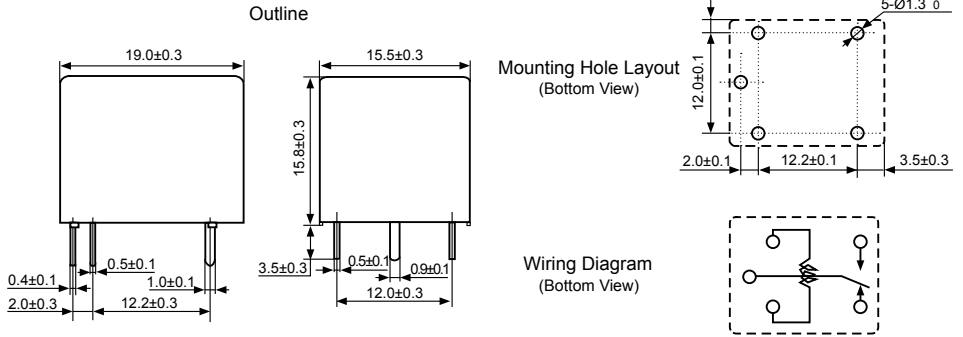
Ambient Temperature: 23°C

Model	Nominal Voltage VDC	Coil Resistance $\Omega \pm 10\%$	Operate Voltage \leq VDC	Release Voltage \geq VDC	Coil Power mW
HRS4-S-DC3V	3	20	2.1	0.3	450
HRS4-S-DC5V	5	55	3.5	0.5	
HRS4-S-DC6V	6	80	4.2	0.6	
HRS4-S-DC9V	9	180	6.3	0.9	
HRS4-S-DC12V	12	320	8.4	1.2	
HRS4-S-DC24V	24	1280	16.8	2.4	
HRS4-S-DC48V	48	5120	33.6	4.8	
HRS4H-S-DC3V	3	25	2.1	0.3	360
HRS4H-S-DC5V	5	70	3.5	0.5	
HRS4H-S-DC6V	6	100	4.2	0.6	
HRS4H-S-DC9V	9	225	6.3	0.9	
HRS4H-S-DC12V	12	400	8.4	1.2	
HRS4H-S-DC24V	24	1600	16.8	2.4	
HRS4H-S-DC48V	48	6400	33.6	4.8	

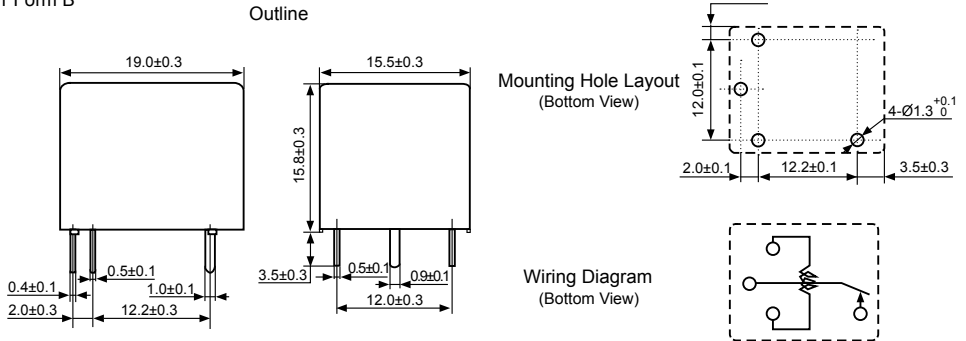
ISO9001, ISO/TS16949, ISO14001 Approved

OUTLINE, WIRING DIAGRAM, MOUNTING HOLE LAYOUT (UNIT: mm)

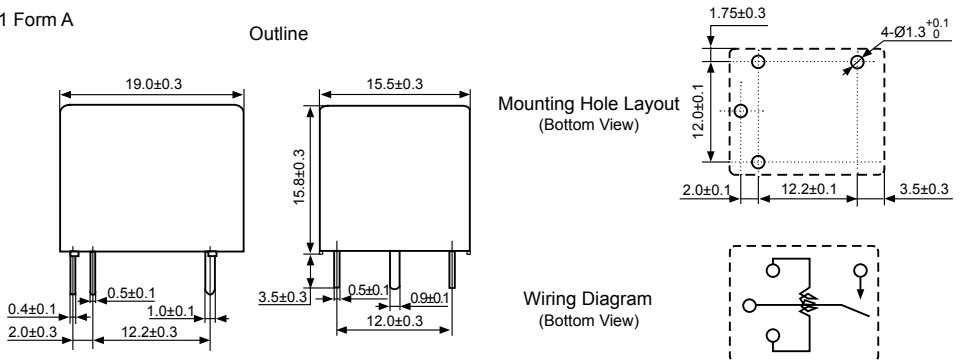
1 Form C



1 Form B

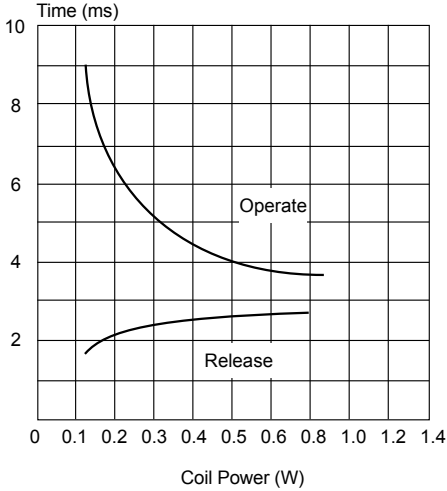


1 Form A

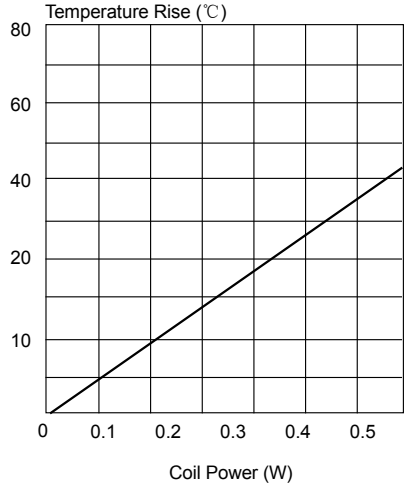


REFERENCE DATA

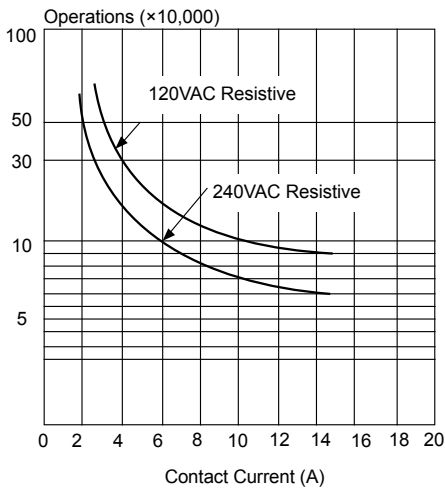
Timing



Coil Temperature Rise



Life Curves



Maximum Switching Power

