

LM199,LM299,LM399

LM199/LM299/LM399 Precision Reference

Datasheet.Live



Literature Number: SNVS751C

LM199/LM299/LM399 Precision Reference

General Description

The LM199 series are precision, temperature-stabilized monolithic zeners offering temperature coefficients a factor of ten better than high quality reference zeners. Constructed on a single monolithic chip is a temperature stabilizer circuit and an active reference zener. The active circuitry reduces the dynamic impedance of the zener to about 0.5Ω and allows the zener to operate over 0.5 mA to 10 mA current range with essentially no change in voltage or temperature coefficient. Further, a new subsurface zener structure gives low noise and excellent long term stability compared to ordinary monolithic zeners. The package is supplied with a thermal shield to minimize heater power and improve temperature regulation.

The LM199 series references are exceptionally easy to use and free of the problems that are often experienced with ordinary zeners. There is virtually no hysteresis in reference voltage with temperature cycling. Also, the LM199 is free of voltage shifts due to stress on the leads. Finally, since the unit is temperature stabilized, warm up time is fast.

The LM199 can be used in almost any application in place of ordinary zeners with improved performance. Some ideal applications are analog to digital converters, calibration standards, precision voltage or current sources or precision

power supplies. Further in many cases the LM199 can replace references in existing equipment with a minimum of wiring changes.

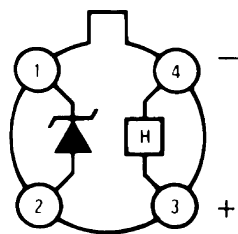
The LM199 series devices are packaged in a standard hermetic TO-46 package inside a thermal shield. The LM199 is rated for operation from -55°C to $+125^{\circ}\text{C}$ while the LM299 is rated for operation from -25°C to $+85^{\circ}\text{C}$ and the LM399 is rated from 0°C to $+70^{\circ}\text{C}$.

Features

- Guaranteed $0.0001\%/^{\circ}\text{C}$ temperature coefficient
- Low dynamic impedance — 0.5Ω
- Initial tolerance on breakdown voltage — 2%
- Sharp breakdown at $400\ \mu\text{A}$
- Wide operating current — $500\ \mu\text{A}$ to 10 mA
- Wide supply range for temperature stabilizer
- Guaranteed low noise
- Low power for stabilization — 300 mW at 25°C
- Proven reliability, low-stress packaging in TO-46 integrated-circuit hermetic package, for low hysteresis after thermal cycling. 33 million hours MTBF at $T_A = +25^{\circ}\text{C}$ ($T_J = +86^{\circ}\text{C}$)

Connection Diagram

Metal Can Package (TO-46)



00571714

Top View

NS Package Number H04D

Ordering Information

| Order Number | Initial Tolerance | Ambient Temperature | Package Marking | Transport Method | NSC Package |
|--------------|-------------------|---|-----------------|------------------|-------------|
| LM199AH | $\pm 2\%$ | -50°C to $+125^{\circ}\text{C}$ | LM199AH | Box of 500 | H04A |
| LM199AH/883 | $\pm 2\%$ | -50°C to $+125^{\circ}\text{C}$ | LM199AH/Q | Tray of 20 | H04A |
| LM299H | $\pm 2\%$ | -25°C to $+85^{\circ}\text{C}$ | LM299H | Box of 500 | H04A |
| LM399AH | $\pm 5\%$ | 0°C to $+70^{\circ}\text{C}$ | LM399AH | Box of 500 | H04A |
| LM399H | $\pm 5\%$ | 0°C to $+70^{\circ}\text{C}$ | LM399H | Box of 500 | H04A |

Absolute Maximum Ratings (Note 1)

Specifications for Military/Aerospace products are not contained in this datasheet. Refer to the following Reliability Electrical Test Specifications documents: MNLM199A-X and SMD#5962-88561 .

| | |
|--------------------------------|-------|
| Temperature Stabilizer Voltage | |
| LM199/LM299/LM399 | 40V |
| Reverse Breakdown Current | 20 mA |
| Forward Current | |
| LM199/LM299/LM399 | 1 mA |

| | |
|--|-----------------|
| Reference to Substrate Voltage $V_{(RS)}$ (Note 2) | 40V -0.1V |
| Operating Temperature Range | |
| LM199 | -55°C to +125°C |
| LM299 | -25°C to +85°C |
| LM399 | -0°C to +70°C |
| Storage Temperature Range | -55°C to +150°C |
| Soldering Information | |
| TO-46 package (10 sec.) | +300°C |

Electrical Characteristics (Notes 3, 6)

| Parameter | Conditions | LM299H | | | LM399H | | | Units |
|---|---|--------|---------|--------|--------|---------|--------|---------------|
| | | Min | Typ | Max | Min | Typ | Max | |
| Reverse Breakdown Voltage | $0.5 \text{ mA} \leq I_R \leq 10 \text{ mA}$ | 6.8 | 6.95 | 7.1 | 6.6 | 6.95 | 7.3 | V |
| Reverse Breakdown Voltage Change with Current | $0.5 \text{ mA} \leq I_R \leq 10 \text{ mA}$ | | 6 | 9 | | 6 | 12 | mV |
| Reverse Dynamic Impedance | $I_R = 1 \text{ mA}$ | | 0.5 | 1 | | 0.5 | 1.5 | Ω |
| Reverse Breakdown Temperature Coefficient | $-25^\circ\text{C} \leq T_A \leq 85^\circ\text{C}$ | LM299 | 0.00003 | 0.0001 | | | | %/°C |
| | $0^\circ\text{C} \leq T_A \leq 70^\circ\text{C}$ | LM399 | | | | 0.00003 | 0.0002 | %/°C |
| RMS Noise | $10 \text{ Hz} \leq f \leq 10 \text{ kHz}$ | | 7 | 20 | | 7 | 50 | μV |
| Long Term Stability | Stabilized, $22^\circ\text{C} \leq T_A \leq 28^\circ\text{C}$, 1000 Hours, $I_R = 1 \text{ mA} \pm 0.1\%$ | | 20 | | | 20 | | ppm |
| Temperature Stabilizer Supply Current | $T_A = 25^\circ\text{C}$, Still Air, $V_S = 30\text{V}$ | | 8.5 | 14 | | 8.5 | 15 | mA |
| | $T_A = -55^\circ\text{C}$ | | 22 | 28 | | | | |
| Temperature Stabilizer Supply Voltage | | 9 | | 40 | 9 | | 40 | V |
| Warm-Up Time to 0.05% | $V_S = 30\text{V}$, $T_A = 25^\circ\text{C}$ | | 3 | | | 3 | | sec. |
| Initial Turn-on Current | $9 \leq V_S \leq 40$, $T_A = +25^\circ\text{C}$, (Note 4) | | 140 | 200 | | 140 | 200 | mA |

Electrical Characteristics (Notes 3, 6)

| Parameter | Conditions | LM199AH | | | LM399AH | | | Units |
|---|---|---------|---------|---------|---------|---------|--------|---------------|
| | | Min | Typ | Max | Min | Typ | Max | |
| Reverse Breakdown Voltage | $0.5 \text{ mA} \leq I_R \leq 10 \text{ mA}$ | 6.8 | 6.95 | 7.1 | 6.6 | 6.95 | 7.3 | V |
| Reverse Breakdown Voltage Change with Current | $0.5 \text{ mA} \leq I_R \leq 10 \text{ mA}$ | | 6 | 9 | | 6 | 12 | mV |
| Reverse Dynamic Impedance | $I_R = 1 \text{ mA}$ | | 0.5 | 1 | | 0.5 | 1.5 | Ω |
| Reverse Breakdown Temperature Coefficient | $-55^\circ\text{C} \leq T_A \leq 85^\circ\text{C}$ | LM199A | 0.00002 | 0.00005 | | | | %/°C |
| | $+85^\circ\text{C} \leq T_A \leq 125^\circ\text{C}$ | | 0.0005 | 0.0010 | | | | %/°C |
| | $0^\circ\text{C} \leq T_A \leq 70^\circ\text{C}$ | LM399A | | | | 0.00003 | 0.0001 | %/°C |
| RMS Noise | $10 \text{ Hz} \leq f \leq 10 \text{ kHz}$ | | 7 | 20 | | 7 | 50 | μV |
| Long Term Stability | Stabilized, $22^\circ\text{C} \leq T_A \leq 28^\circ\text{C}$, 1000 Hours, $I_R = 1 \text{ mA} \pm 0.1\%$ | | 20 | | | 20 | | ppm |
| Temperature Stabilizer Supply Current | $T_A = 25^\circ\text{C}$, Still Air, $V_S = 30\text{V}$ | | 8.5 | 14 | | 8.5 | 15 | mA |
| | $T_A = -55^\circ\text{C}$ | | 22 | 28 | | | | |
| Temperature Stabilizer Supply Voltage | | 9 | | 40 | 9 | | 40 | V |
| Warm-Up Time to 0.05% | $V_S = 30\text{V}$, $T_A = 25^\circ\text{C}$ | | 3 | | | 3 | | sec. |
| Initial Turn-on Current | $9 \leq V_S \leq 40$, $T_A = +25^\circ\text{C}$, (Note 4) | | 140 | 200 | | 140 | 200 | mA |

Electrical Characteristics (Notes 3, 6) (Continued)

Note 1: "Absolute Maximum Ratings" indicate limits beyond which damage to the device may occur. Operating Ratings indicate conditions for which the device is functional, but do not guarantee specific performance limits.

Note 2: The substrate is electrically connected to the negative terminal of the temperature stabilizer. The voltage that can be applied to either terminal of the reference is 40V more positive or 0.1V more negative than the substrate.

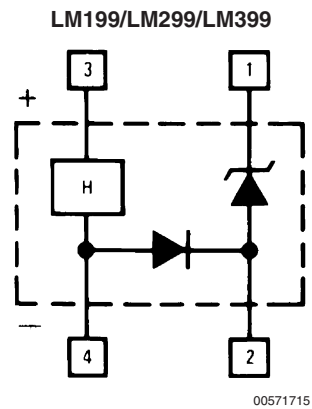
Note 3: These specifications apply for 30V applied to the temperature stabilizer and $-55^{\circ}\text{C} \leq T_A \leq +125^{\circ}\text{C}$ for the LM199; $-25^{\circ}\text{C} \leq T_A \leq +85^{\circ}\text{C}$ for the LM299 and $0^{\circ}\text{C} \leq T_A \leq +70^{\circ}\text{C}$ for the LM399.

Note 4: This initial current can be reduced by adding an appropriate resistor and capacitor to the heater circuit. See the performance characteristic graphs to determine values.

Note 5: Do not wash the LM199 with its polysulfone thermal shield in TCE.

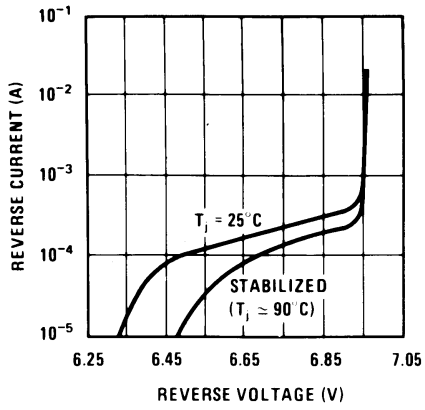
Note 6: A military data sheet is available for the LM199AH/833 and LM199AH-SMD (SMD#5962-88561) upon request.

Functional Block Diagram



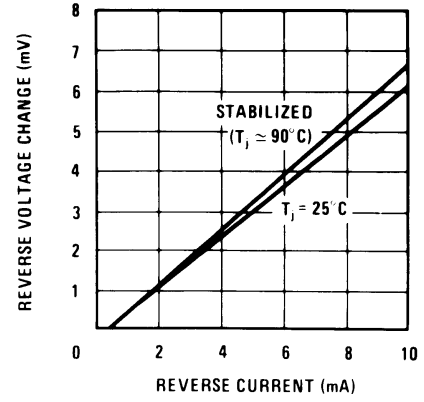
Typical Performance Characteristics

Reverse Characteristics



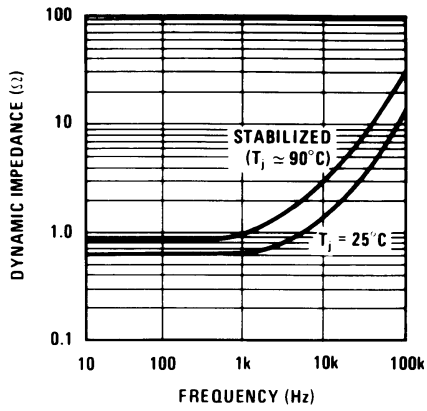
00571719

Reverse Voltage Change



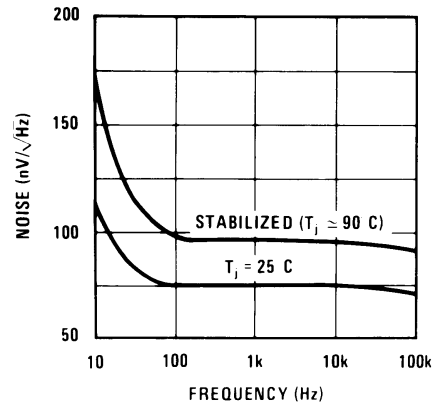
00571720

Dynamic Impedance



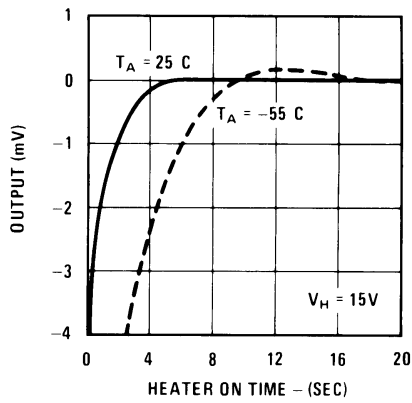
00571721

Zener Noise Voltage



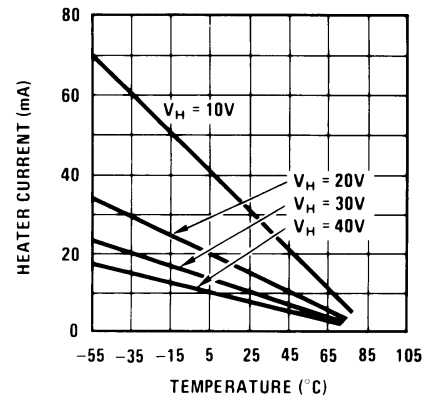
00571722

Stabilization Time



00571723

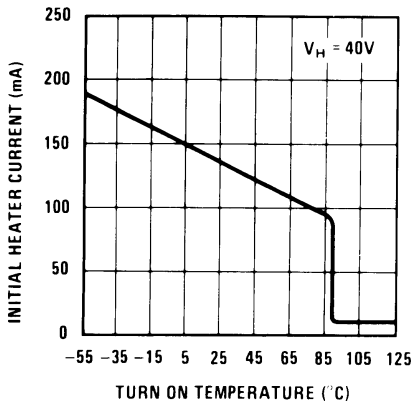
Heater Current



00571724

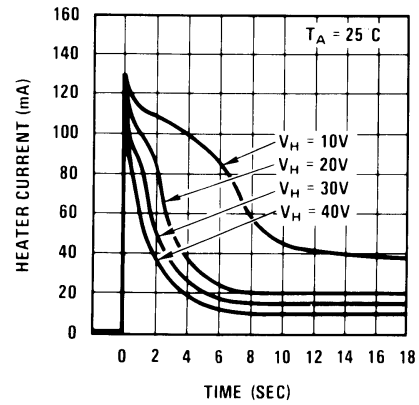
Typical Performance Characteristics (Continued)

Initial Heater Current



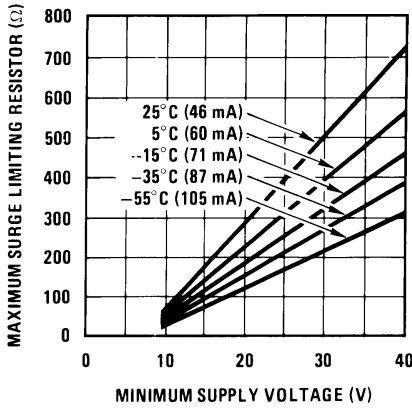
00571725

Heater Current (To Limit This Surge, See Next Graph)



00571726

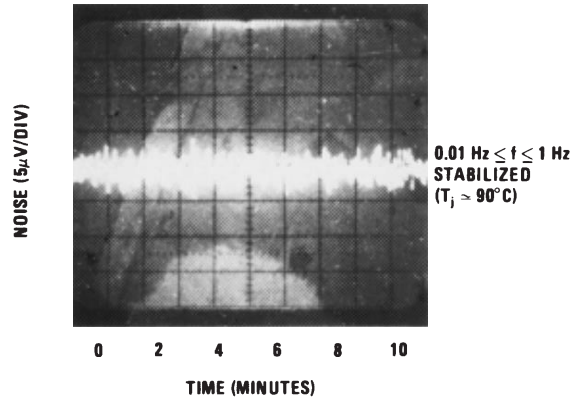
Heater Surge Limit Resistor vs Minimum Supply Voltage at Various Minimum Temperatures



00571727

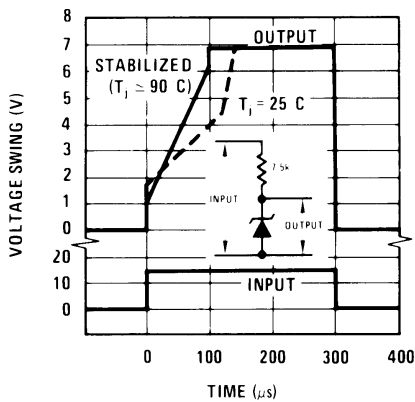
*Heater must be bypassed with a 2 μ F or larger tantalum capacitor if resistors are used.

Low Frequency Noise Voltage



00571703

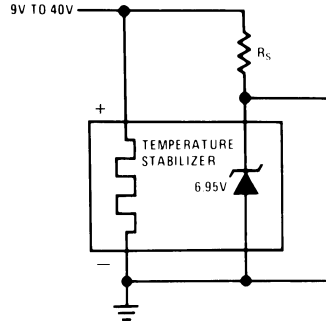
Response Time



00571707

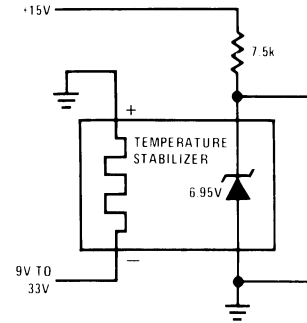
Typical Applications

Single Supply Operation



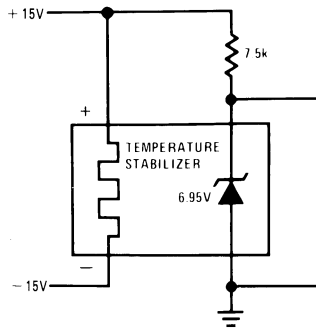
00571728

Negative Heater Supply with Positive Reference



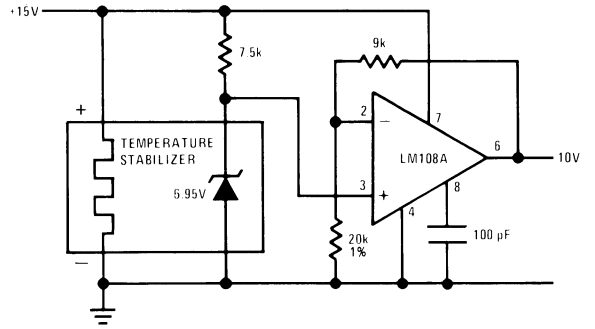
00571730

Split Supply Operation



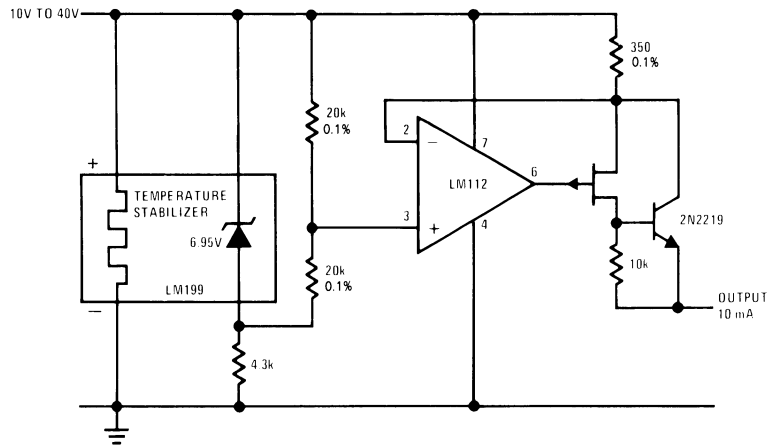
00571729

Buffered Reference With Single Supply



00571731

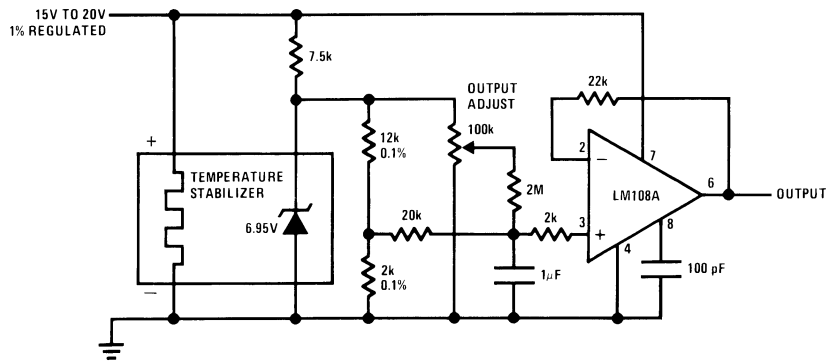
Positive Current Source



00571732

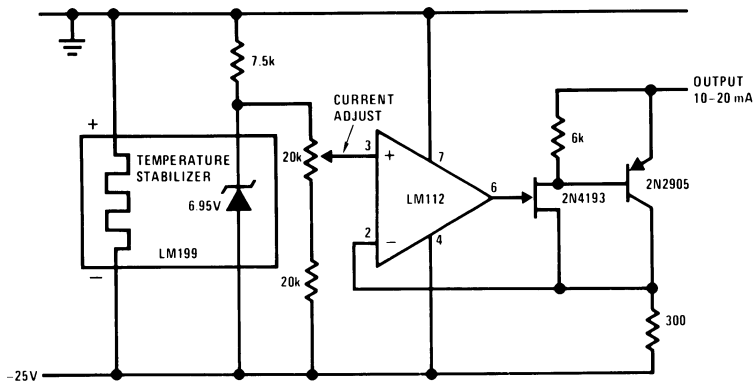
Typical Applications (Continued)

Standard Cell Replacement



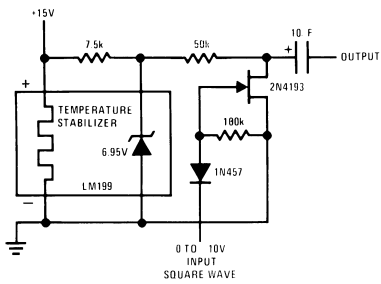
00571733

Negative Current Source



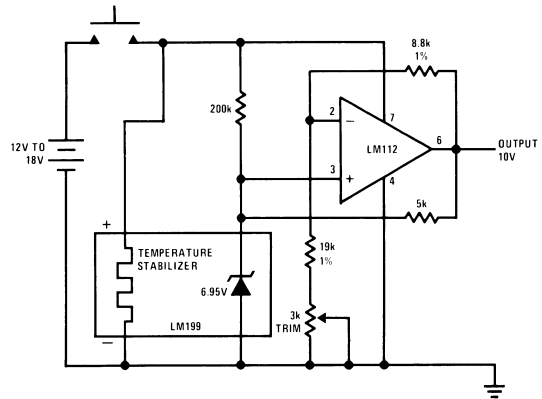
00571734

Square Wave Voltage Reference



00571735

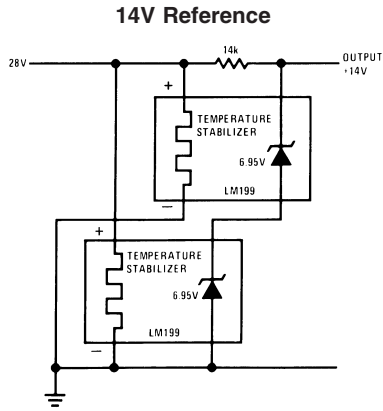
Portable Calibrator*



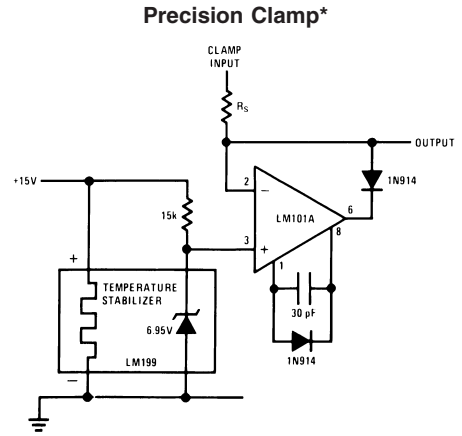
00571736

*Warm-up time 10 seconds; intermittent operation does not degrade long term stability.

Typical Applications (Continued)

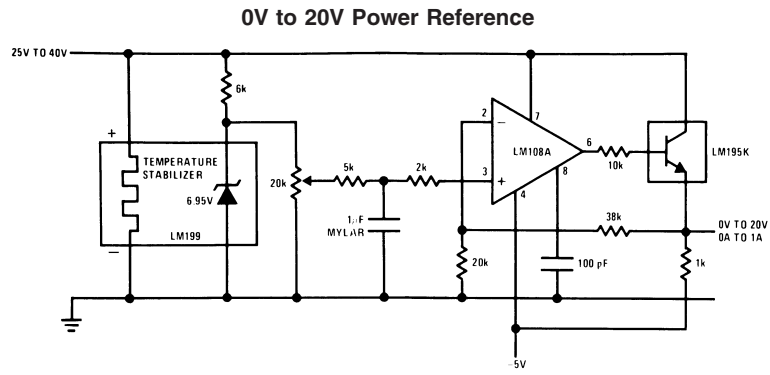


00571737

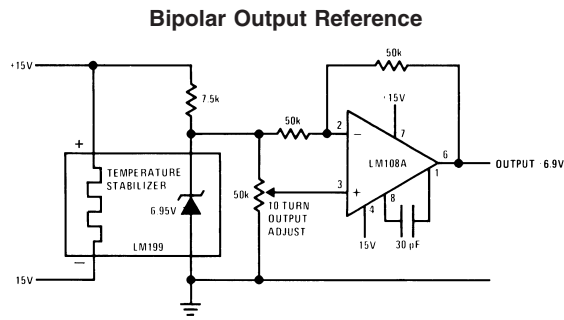


00571738

*Clamp will sink 5 mA when input goes more positive than reference



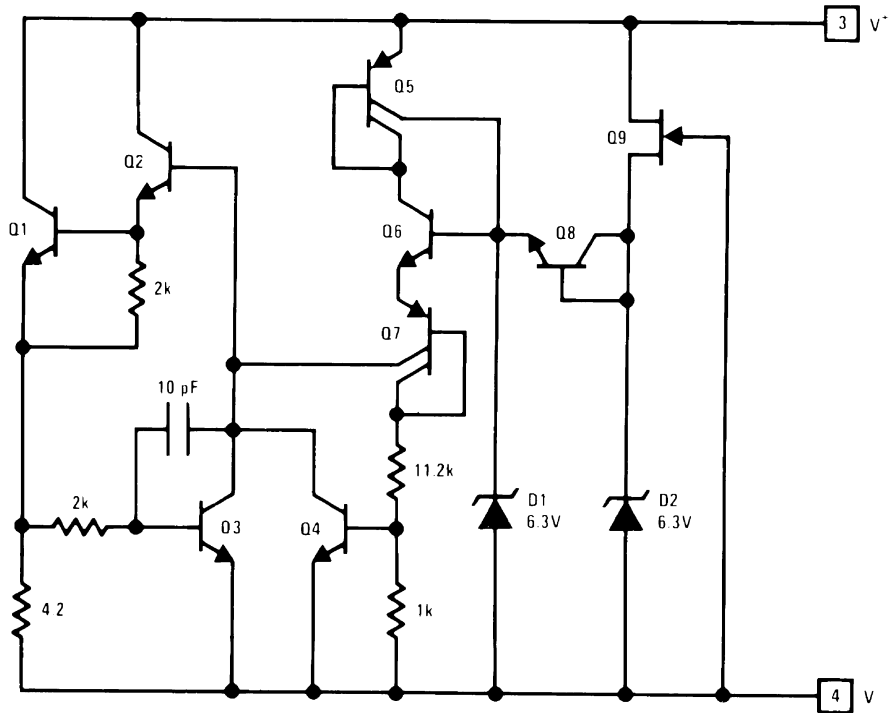
00571739



00571740

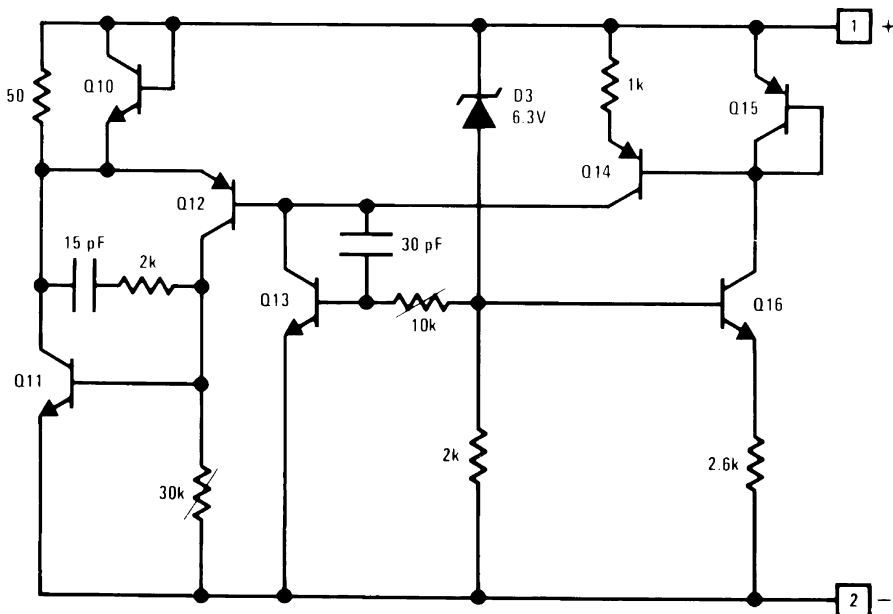
Schematic Diagrams

Temperature Stabilizer



00571701

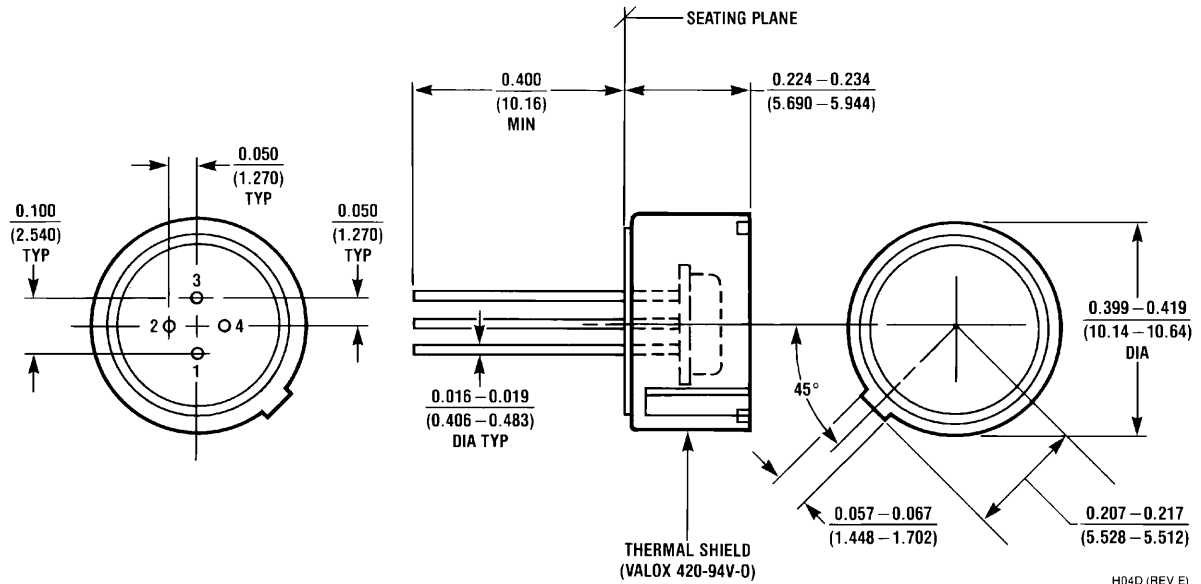
Reference



00571713

Physical Dimensions inches (millimeters)

unless otherwise noted



NS Package H04D

H04D (REV E)

National does not assume any responsibility for use of any circuitry described, no circuit patent licenses are implied and National reserves the right at any time without notice to change said circuitry and specifications.

For the most current product information visit us at www.national.com.

LIFE SUPPORT POLICY

NATIONAL'S PRODUCTS ARE NOT AUTHORIZED FOR USE AS CRITICAL COMPONENTS IN LIFE SUPPORT DEVICES OR SYSTEMS WITHOUT THE EXPRESS WRITTEN APPROVAL OF THE PRESIDENT AND GENERAL COUNSEL OF NATIONAL SEMICONDUCTOR CORPORATION. As used herein:

- Life support devices or systems are devices or systems which, (a) are intended for surgical implant into the body, or (b) support or sustain life, and whose failure to perform when properly used in accordance with instructions for use provided in the labeling, can be reasonably expected to result in a significant injury to the user.
- A critical component is any component of a life support device or system whose failure to perform can be reasonably expected to cause the failure of the life support device or system, or to affect its safety or effectiveness.

BANNED SUBSTANCE COMPLIANCE

National Semiconductor manufactures products and uses packing materials that meet the provisions of the Customer Products Stewardship Specification (CSP-9-111C2) and the Banned Substances and Materials of Interest Specification (CSP-9-111S2) and contain no "Banned Substances" as defined in CSP-9-111S2.



National Semiconductor
Americas Customer
Support Center
Email: new.feedback@nsc.com
Tel: 1-800-272-9959

National Semiconductor
Europe Customer Support Center
Fax: +49 (0) 180-530 85 86
Email: europa.support@nsc.com
Deutsch Tel: +49 (0) 69 9508 6208
English Tel: +44 (0) 870 24 0 2171
Français Tel: +33 (0) 1 41 91 8790

National Semiconductor
Asia Pacific Customer
Support Center
Email: ap.support@nsc.com

National Semiconductor
Japan Customer Support Center
Fax: 81-3-5639-7507
Email: jpn.feedback@nsc.com
Tel: 81-3-5639-7560

www.national.com

IMPORTANT NOTICE

Texas Instruments Incorporated and its subsidiaries (TI) reserve the right to make corrections, modifications, enhancements, improvements, and other changes to its products and services at any time and to discontinue any product or service without notice. Customers should obtain the latest relevant information before placing orders and should verify that such information is current and complete. All products are sold subject to TI's terms and conditions of sale supplied at the time of order acknowledgment.

TI warrants performance of its hardware products to the specifications applicable at the time of sale in accordance with TI's standard warranty. Testing and other quality control techniques are used to the extent TI deems necessary to support this warranty. Except where mandated by government requirements, testing of all parameters of each product is not necessarily performed.

TI assumes no liability for applications assistance or customer product design. Customers are responsible for their products and applications using TI components. To minimize the risks associated with customer products and applications, customers should provide adequate design and operating safeguards.

TI does not warrant or represent that any license, either express or implied, is granted under any TI patent right, copyright, mask work right, or other TI intellectual property right relating to any combination, machine, or process in which TI products or services are used. Information published by TI regarding third-party products or services does not constitute a license from TI to use such products or services or a warranty or endorsement thereof. Use of such information may require a license from a third party under the patents or other intellectual property of the third party, or a license from TI under the patents or other intellectual property of TI.

Reproduction of TI information in TI data books or data sheets is permissible only if reproduction is without alteration and is accompanied by all associated warranties, conditions, limitations, and notices. Reproduction of this information with alteration is an unfair and deceptive business practice. TI is not responsible or liable for such altered documentation. Information of third parties may be subject to additional restrictions.

Resale of TI products or services with statements different from or beyond the parameters stated by TI for that product or service voids all express and any implied warranties for the associated TI product or service and is an unfair and deceptive business practice. TI is not responsible or liable for any such statements.

TI products are not authorized for use in safety-critical applications (such as life support) where a failure of the TI product would reasonably be expected to cause severe personal injury or death, unless officers of the parties have executed an agreement specifically governing such use. Buyers represent that they have all necessary expertise in the safety and regulatory ramifications of their applications, and acknowledge and agree that they are solely responsible for all legal, regulatory and safety-related requirements concerning their products and any use of TI products in such safety-critical applications, notwithstanding any applications-related information or support that may be provided by TI. Further, Buyers must fully indemnify TI and its representatives against any damages arising out of the use of TI products in such safety-critical applications.

TI products are neither designed nor intended for use in military/aerospace applications or environments unless the TI products are specifically designated by TI as military-grade or "enhanced plastic." Only products designated by TI as military-grade meet military specifications. Buyers acknowledge and agree that any such use of TI products which TI has not designated as military-grade is solely at the Buyer's risk, and that they are solely responsible for compliance with all legal and regulatory requirements in connection with such use.

TI products are neither designed nor intended for use in automotive applications or environments unless the specific TI products are designated by TI as compliant with ISO/TS 16949 requirements. Buyers acknowledge and agree that, if they use any non-designated products in automotive applications, TI will not be responsible for any failure to meet such requirements.

Following are URLs where you can obtain information on other Texas Instruments products and application solutions:

Products

| | |
|------------------------|--|
| Audio | www.ti.com/audio |
| Amplifiers | amplifier.ti.com |
| Data Converters | dataconverter.ti.com |
| DLP® Products | www.dlp.com |
| DSP | dsp.ti.com |
| Clocks and Timers | www.ti.com/clocks |
| Interface | interface.ti.com |
| Logic | logic.ti.com |
| Power Mgmt | power.ti.com |
| Microcontrollers | microcontroller.ti.com |
| RFID | www.ti-rfid.com |
| OMAP Mobile Processors | www.ti.com/omap |
| Wireless Connectivity | www.ti.com/wirelessconnectivity |

Applications

| | |
|-------------------------------|--|
| Communications and Telecom | www.ti.com/communications |
| Computers and Peripherals | www.ti.com/computers |
| Consumer Electronics | www.ti.com/consumer-apps |
| Energy and Lighting | www.ti.com/energy |
| Industrial | www.ti.com/industrial |
| Medical | www.ti.com/medical |
| Security | www.ti.com/security |
| Space, Avionics and Defense | www.ti.com/space-avionics-defense |
| Transportation and Automotive | www.ti.com/automotive |
| Video and Imaging | www.ti.com/video |

TI E2E Community Home Page

e2e.ti.com

Mailing Address: Texas Instruments, Post Office Box 655303, Dallas, Texas 75265
Copyright © 2011, Texas Instruments Incorporated