

Customer Information Sheet

DRAWING No.: M40-9XX0099

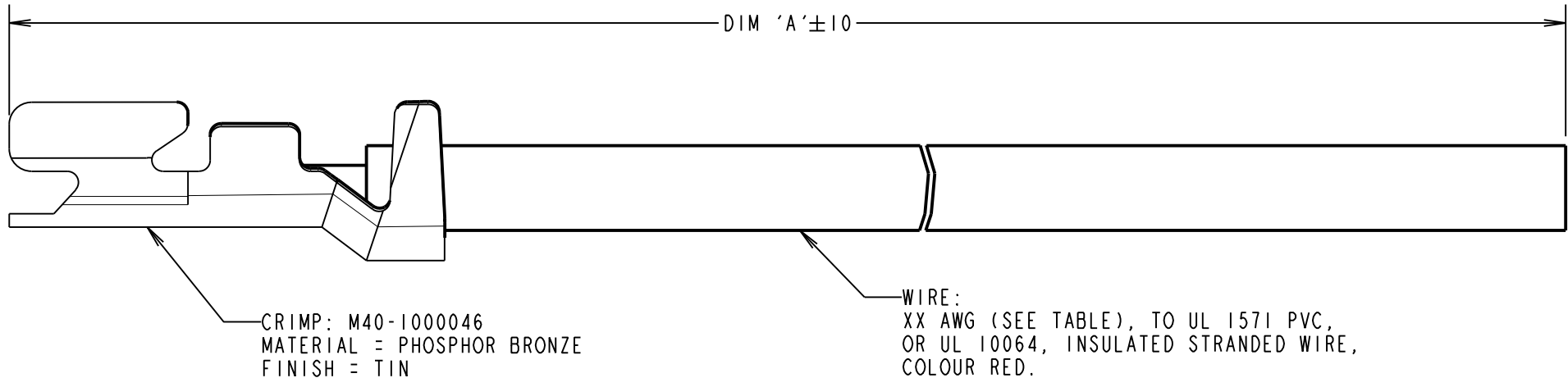
IF IN DOUBT - ASK

(C)

NOT TO SCALE

THIRD ANGLE PROJECTION

ALL DIMENSIONS IN mm



- NOTES:
1. TO BE USED WITH CRIMP HOUSINGS M40-110XX00 (SIL) AND M40-120XX00 (DIL).
 2. WIRE AND CRIMP ARE BOTH BE RoHS COMPLIANT.

PART No.	AWG	DIM 'A'
M40-9000099	28	150
M40-9010099	32	150
M40-9020099	28	300
M40-9030099	32	300
M40-9100099	30	150
M40-9110099	30	300

SB	5	07.05.13	12070
NAME	ISS.	DATE	C/NOTE
APPROVED:		S.BENNETT	
CHECKED:		S.FLOWER	
DRAWN:		J.ENRIGHT	
CUSTOMER REF.:			
ASSEMBLY DRG:			

HARWIN

www.harwin.com
technical@harwin.com

THIS DRAWING AND ANY INFORMATION OR DESCRIPTIVE MATTER SET OUT HEREON ARE CONFIDENTIAL AND COPYRIGHT PROPERTY OF THE HARWIN GROUP AND MUST NOT BE DISCLOSED, LOANED, COPIED OR USED FOR MANUFACTURING, TENDERING OR FOR ANY OTHER PURPOSE WITHOUT THEIR WRITTEN PERMISSION.

TOLERANCES
X. = ±1mm
X.X = ±0.25mm
X.XX = ±0.10mm
X.XXX = ±0.01mm
ANGLES = ±5°
UNLESS STATED

MATERIAL:
SEE ABOVE

FINISH:
SEE ABOVE

S/AREA:
mm²

TITLE:
PRE-CRIMPED CONTACT
(M40-1000046)

DRAWING NUMBER:
M40-9XX0099

SHT
2 OF 2

Mouser Electronics

Authorized Distributor

Click to View Pricing, Inventory, Delivery & Lifecycle Information:

[Harwin:](#)

[M40-9020099](#) [M40-9000099](#) [M40-9030099](#) [M40-9010099](#)