

绝佳顿感，滑顺均匀
Tactile or non-tactile feel, Perfectly Poise

Features

Long electrical life cycles.
Choice of multiple colored caps.
Choice of painted colored caps.
Laser marking service.
Available with small quantity order.

产品特色

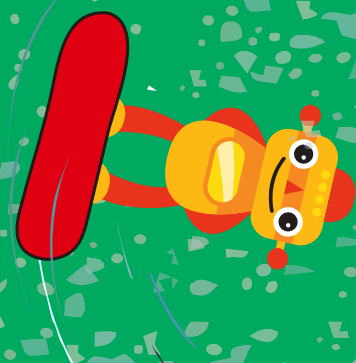
提供带触感型及无触感型两种选择
超高亮LED照光，耐久鲜明
超长距离，高信耐接触，无杂讯
客制化帽盖选择，喷漆色盖&镭射雕刻服务

Applications

Studio equipment.
Audio/Video products,
Broadcast system,
Instrumentation,
Telecommunications ...etc.

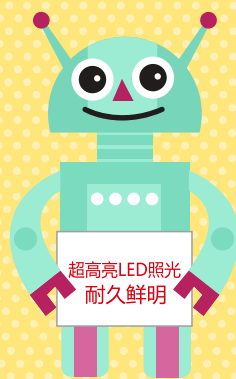
使用范围

音响、影像等录音室器材设备
广播系统、电信仪器设备

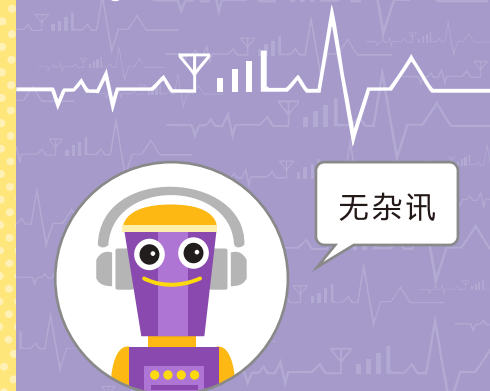


绝佳顿感，滑顺均匀
Tactile or non-tactile feel, Perfectly Poise

超高亮LED照光，耐久鲜明
Long electrical life cycles.



超长距离，高信耐接触，无杂讯
Long distance,
high contact resistance, no noise



Studio equipment.
Audio/Video products,
Broadcast system,
Instrumentation,
Telecommunications ...etc.
音响、影像等录音室器材设备、广播系统、
电信仪器设备

General Specifications: (产品规格)

Function: OFF-<ON> For Momentary Type, SPST
Contact Rating: 100mA 12V DC
Contact Resistance: 200mΩ Max
Insulation Resistance: 100MΩ Min. 500 V DC
Dielectric Strength: Breakdown is not allowable; 500V AC for 1 minute
Actuation Force: 250 ± 100gf
Total Travel: 4.5mm ± 0.2mm
Operating Life: 2,000,000 cycles
Operating Temperature: -20° C to 70° C

Material: (产品材质)

Cover: Polycarbonate(PC)
Actuator: Polyoxymethylen(POM)
Base Frame: Polyamide(PA)+GF
Terminal: Brass with silver plating
Moving Contact: Phosphor Bronze with gold plating

LED Specifications:

Color	V		Recommended Operating Current	VF	
				Nom	Max
Red	DC 5V	20mA	20mA	1.7V	2.4V
Green	DC 5V	20mA	20mA	1.9V	2.4V
Yellow	DC 5V	20mA	20mA	1.9V	2.4V
Blue	DC 5V	20mA	20mA	3.0V	3.6V
White	DC 5V	20mA	20mA	3.0V	3.6V

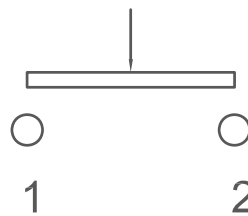
HOW TO ORDER

SERIES	OPERATION	POLE	ACTUATION TYPE	LED COLOR	LED COLOR	CAP TYPE	CAP COLOR	PLATE COLOR	CAP SYMBOL
PLC	N	1	T	R	N	A	T	W	A
	N=NON-LOCK	1=1 POLE	T=TACTILE TYPE N=NON TACTILE	B=BLUE G=GREEN R=RED Y=YELLOW F=FULL COLOR N=NONE	B=BLUE G=GREEN R=RED Y=YELLOW F=FULL COLOR N=NONE	A=12.0mm sq B=15.0mm sq C=17.4mm sq D=17.4X34.8 mmsq	T=TRANSPARENT R=RED G=GREEN B=BLUE Y=YELLOW S=SILVER	W=WHITE R=RED G=GREEN B=BLUE Y=YELLOW	A=2.5mm

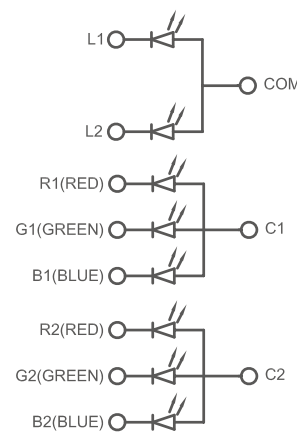
CAP Symbol: Please refer to cap selection for all available symbols on cap surface, and any customization is welcomed

SCHEMATIC

SWITCH

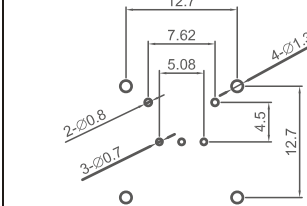


LED

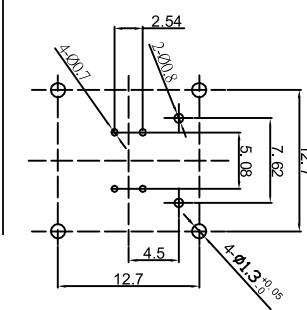


P. C. B LAYOUT

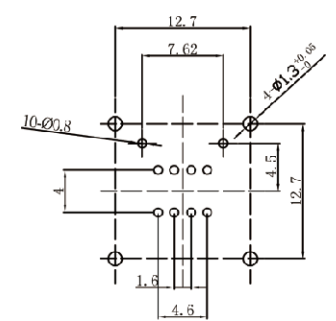
Single color or two color



RGB TYPE1

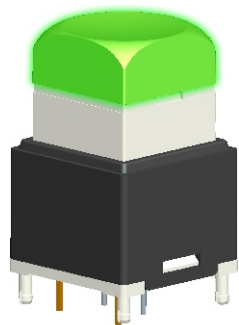


RGB TYPE2

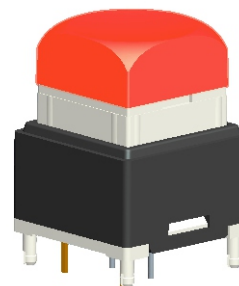
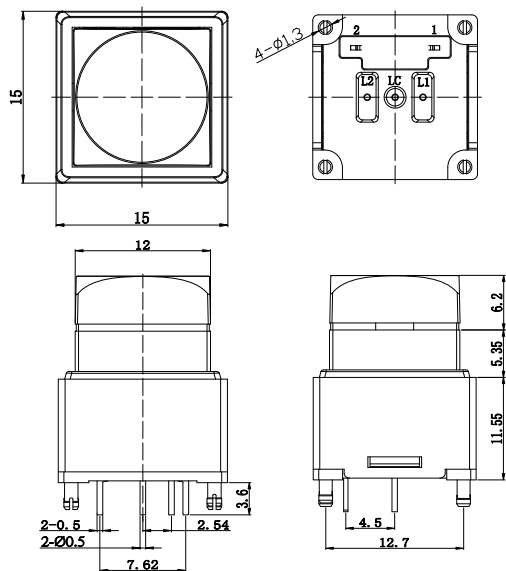


For the specification about the other LEDs, please contact with sales department

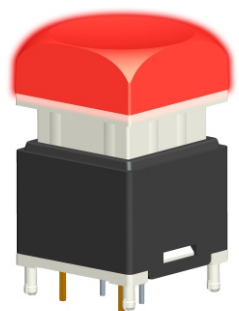
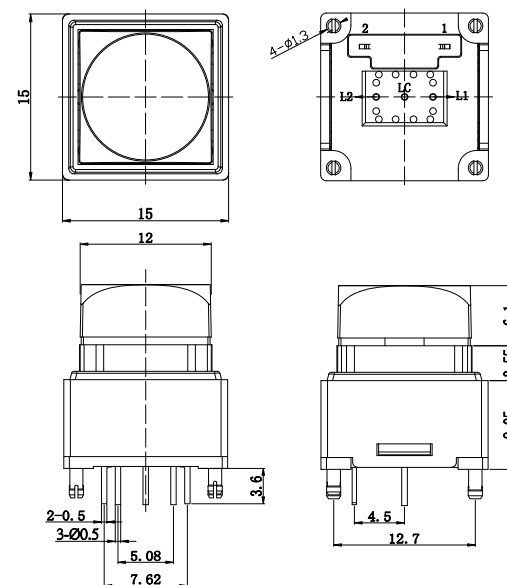
LED ILLUMINATED PUSH BUTTON SWITCH



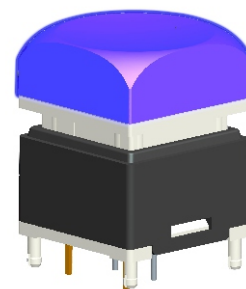
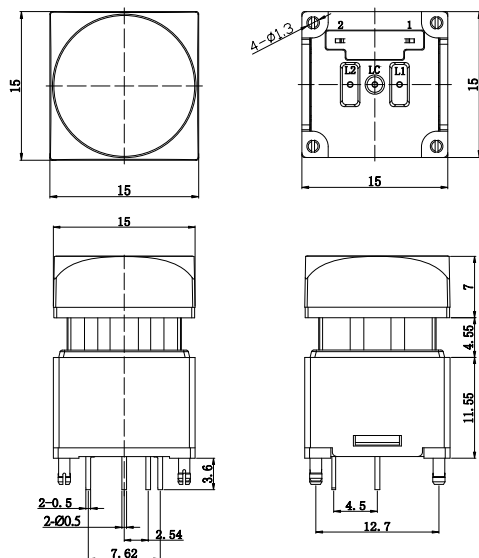
PLC-N1TGN-ATW



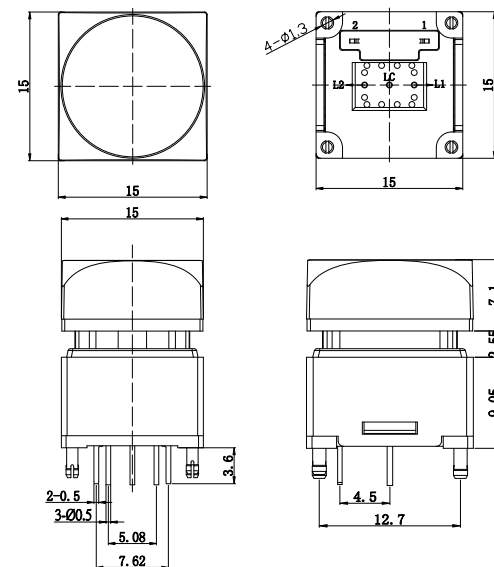
PLC-N1TRGN-ATW-A



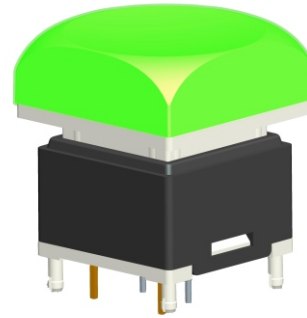
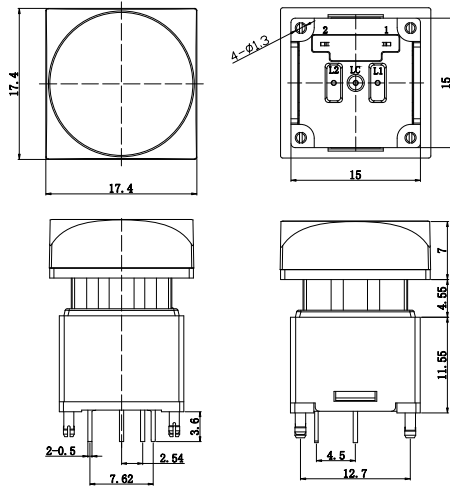
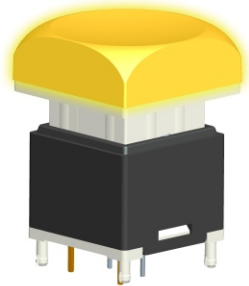
PLC-N1TRN-BTW



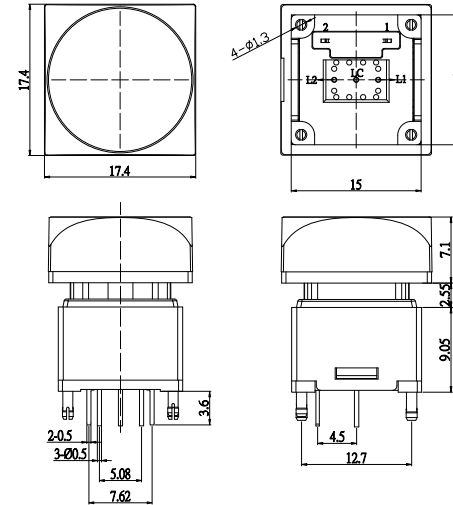
PLC-N1TBRN-BTW-A



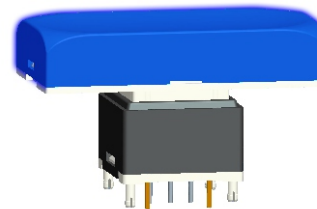
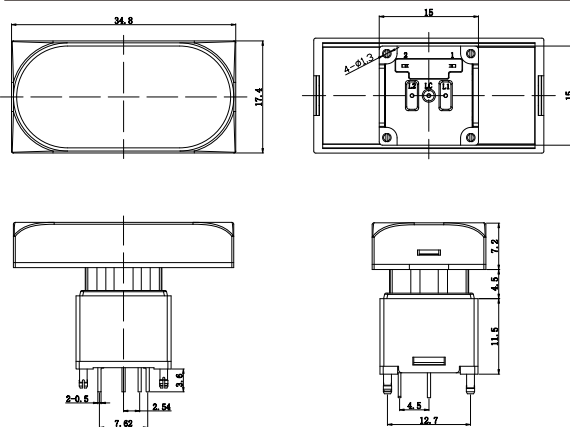
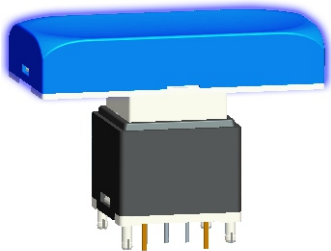
PLC-N1TYN-CTW



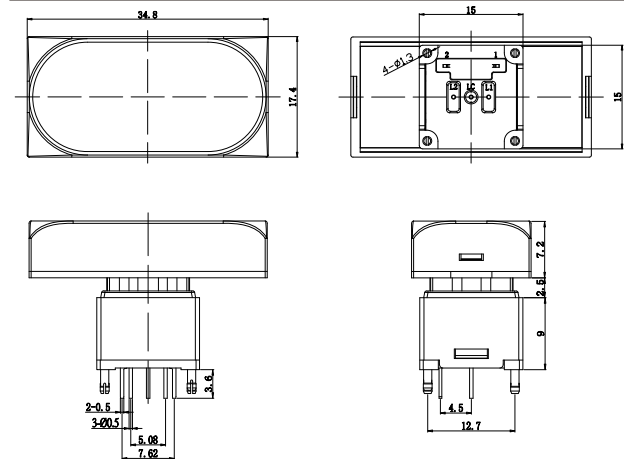
PLC-N1TGRN-CTW-A



PLC-N1TBN-DTW



PLC-N1TBRN-DTW-A



Laser Service

先进 镭射雕刻服务，精密不失真。

Feature:

Lak-View's products are always the best choice and provide additional product value.

We focus interest,make the product recognizable and improve product image.

Customers can make pattern,logo,characters and even the design on their own.

Convenience,Short time to market,Quality,Beauty and more than one hundred kinds of designs are available to satisfy our customers.

No expenses for ink or additional materials due to laser printing. Does not fade or change color,.

Application:

Public building,Security system,Business building,Industrial equipment,Communication equipments,Audio/Video products...etc.

CAP Symbol

	0	1	2	3	4	5	6	7	8	9	10	11	12	13	14	15	16	17	18	19
A	0	1	2	3	4	5	6	7	8	9	10	11	12	13	14	15	16	17	18	19
B	A	B	C	D	E	F	G	H	I	J	CH5	CH6	DSK	PIP	C-KEY	CUT	TAKE	REC	ENG	PROD
C	K	L	M	N	O	P	Q	R	S	T	REPLAY	RET1	RET2	KEY ON	AUTO TAKE					
D	U	V	W	X	Y	Z	POWER	ON/OFF	ON	OFF		USER A	USER B	USER C	USER D	USER E	USER F	USER G	USER H	USER I
E	OK		Auto	Enter	Start	STOP	OPEN	CLOSE	Exit	Move	USER J								M-1	
F	SET	Reset	Light	Alarm	Menu	Next	Back	Delete	Motor	Save						✓1	✓2			
G	Up	Down	Right	Left	Test	End	Insert	Lock	Print	+/-							IN PORT	SOS		TC
H	ESC	BC.	HOME	Health	D-LED 2	OC GENIE	VIDEO INPUT	clr CMOS	Green Power	Save OK	P1	P2	P3	P4	P5		A C			TURBO
I				F1	F2	F3	F4	F5	F6	F7	SEEK	TRACK	RNA	AS/RPT	Select					
J	F8	F9	F10	F11	F12	F13	F14	IN 1	IN 2	IN 3						ON AIR		D.	M.	
K	IN 4	IN 5	IN 6												HDMI	VGA				
L	+	-	×	÷	=							MON	ITEM	C/S	GAS	PUMP ON/OFF	PURGE	R/HR	PARL	IOD
M											FILL	LO RANGE	MID RANGE	MID	HI RANGE	GPD	EFF LEVEL			SHIFT