

61083- AA B C D E G V FF

AA	NO. OF POSITIONS
02	2X10
04	2X20
06	2X30
08	2X40
10	2X50
12	2X60
14	2X70
16	2X80
18	2X90
20	2X100

NOTE 10

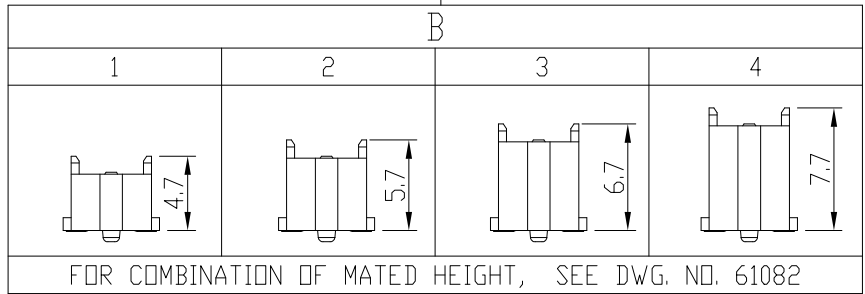
D	PEG
0	YES
2	NO

G	DATE CODE
/	STANDARD, NOT PRINT D/C
P	PRINT DATE CODE

V	MANDATORY CODE
/	STANDARD, NOT MANDATORY P/N
V	ONLY FOR DEDICATED CUSTOMER
H	ONLY FOR DEDICATED CUSTOMER

E	PACKAGING
0	TUBE WITHOUT METAL CAP
2	T&R WITH METAL CAP
9	TUBE WITH METAL CAP
6	T&R WITH KAPTON TAPE
7	T&R WITH PLASTIC CAP
Q	T&R WITHOUTL CAP

NOTE 10
NOTE 10
NOTE 11
NOTE 10



NOTE:

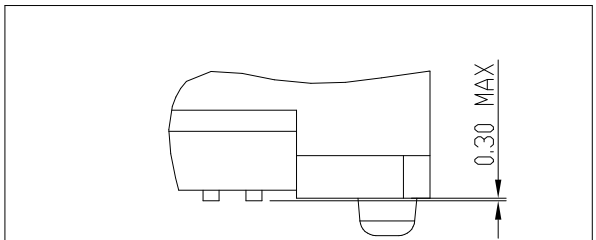
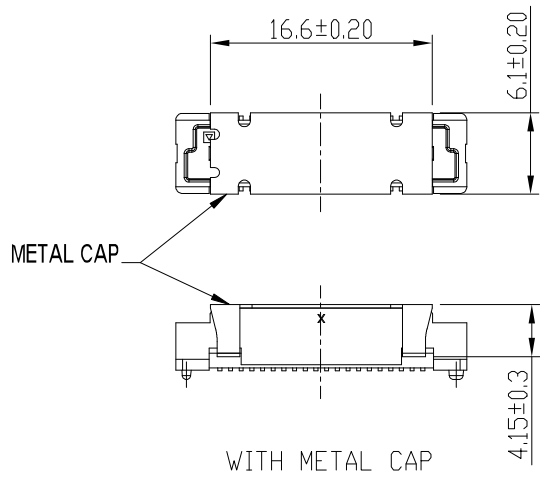
- MATERIAL:
HOUSING: G.F. LCP, NATURAL, UL94-V0
TERMINAL: BRASS
- PLATING: AS SHOWN IN TABLE.
- SEE GS-12-547 FOR PRODUCT SPEC.
- PACKAGING OPTION 2: NOT ALL SIZES ARE AVAILABLE. CHECK WITH FACTORY.
- THIS PRODUCT MEETS THE EUROPEAN UNION DIRECTIVES AND OTHER COUNTRY REGULATIONS AS DESCRIBED IN GS-22-008.
- THE HOUSING WILL WITHSTAND EXPOSURE UP TO 260~ PEAK TEMPERATURE FOR 30 SECONDS IN A CONVECTION, INFRA-RED OR VAPOR PHASE REFLOW OVEN.
- PLATING OPTION "4" IS LEADFREE ALTERNATIVE FOR OPTION "0", AND OPTION "6" IS LEADFREE ALTERNATIVE FOR OPTION "1".
- HIGH PRECISION COPLANARITY IS AVAILABLE FOR 2X80 TO 2X100 PDS, ALL HEIGHTS. PLS REFER TO PRINT 10069525.
- THE P/N 61083-***** OR 61083-*****LF NOT PRINT DATE CODE. THE P/N 61083-*****P OR 61083-*****PLF NEED PRINT DATE CODE.
- POSITION 2X10 TYPE ONLY APPLY TO PLUG 1 AND PLUG 3. PACKAGING WITH METAL CAP AND PLASTIC CAP DOES NOT APPLY TO 2X10 POSITION.
- KAPTON TAPE ONLY APPLY TO POSITION 2X10~2X20.

C	PLATING	FF
0	GOLD 0.2um MIN ON CONTACT AREA ; TIN LEAD 2.5um MIN ON SOLDER TAIL NICKEL UNDERPLATE OVERALL 1.27um MIN	NONE
1	GOLD FLASH (0.065um MIN) OVER PALLADIUM-NICKEL 0.69um MIN ON CONTACT AREA ; TIN LEAD 2.5um MIN ON SOLDER TAIL NICKEL UNDERPLATE OVERALL 1.27um.	NONE
4	GOLD 0.2um MIN ON CONTACT AREA ; PURE MATT TIN 2.5um MIN ON SOLDER TAIL; NICKEL UNDERPLATE OVERALL 1.27um. (LEADFREE PLATING)	LF
5	GOLD 0.38um MIN ON CONTACT AREA ; MATT PURE TIN 2.5um MIN ON SOLDER TAIL; NICKEL UNDERPLATE OVERALL 1.27um MIN (LEADFREE PLATING)	LF
6	GOLD FLASH (0.065um MIN) OVER PALLADIUM-NICKEL 0.69um MIN ON CONTACT AREA ; PURE MATT TIN 2.5um MIN ON SOLDER TAIL NICKEL UNDERPLATE OVERALL 1.27um. (LEADFREE PLATING)	LF
7	GOLD 0.76um MIN ON CONTACT AREA ; PURE MATT TIN 2.5um MIN ON SOLDER TAIL; NICKEL UNDERPLATE OVERALL 1.27um. (LEADFREE PLATING)	LF
9	GOLD 0.2um MIN ON CONTACT AREA ; GOLD 0.05um MIN ON SOLDER TAIL NICKEL UNDERPLATE OVERALL 1.27um. (LEADFREE PLATING)	LF

mat'l. code		surface	tolerance	projection	product family
		ISO 1302	ISO 406	ISO 1101	BERGSTAK HPL545
ltr	ecn no	dr	date	tolerances unless otherwise specified	title
AG		GM	10/19/16	angles	PLUG ASSY BERGSTAK 0.8MM
AH	ELX-N-25161	Bob	10/19/16	linear	
AJ	ELX-N-25201	Bob	12/29/16	0±3'	scale 1:1
AK	ELX-N-26185	Bob	02/27/17	dr	GuoMin Sun
AL	ELX-N-26381	Bob	03/17/17	engr	Bob Gu
AM	ELX-N-30296	Bob	05/28/18	chr	LQ Lei
AN	ELX-N-30741	Bob	11/22/18	appd	Tim Yao
sheet	revision	AL	AM	AN	
index	sheet	1~6	1~6		



PRODUCT NO.	NO. OF POSITION	DIMENSION		
		A	B	C
61083-021***	2X10	7.2	13.8	12.2
61083-041***	2X20	15.2	21.8	20.2
61083-061***	2X30	23.2	29.8	28.2
61083-081***	2X40	31.2	37.8	36.2
61083-101***	2X50	39.2	45.8	44.2
61083-121***	2X60	47.2	53.8	52.2
61083-141***	2X70	55.2	61.8	60.2
61083-161***	2X80	63.2	69.8	68.2
61083-181***	2X90	71.2	77.8	76.2
61083-201***	2X100	79.2	85.8	84.2



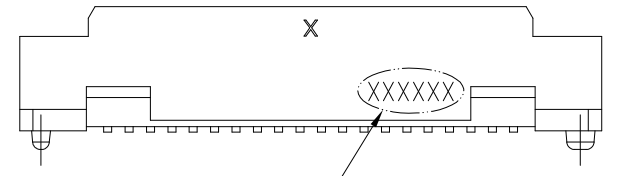
COPLANARITY OF TAIL:
 0.10 MAX. APPLIED TO 2X10 TO 2X70 PDS
 0.13 MAX. APPLIED TO 2X80 TO 2X100 PDS

DETAIL A
 SCALE 10:1

DATE CODE: XXXXXX

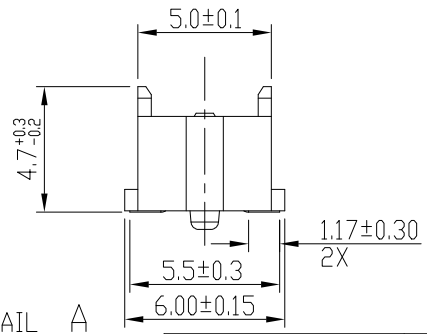
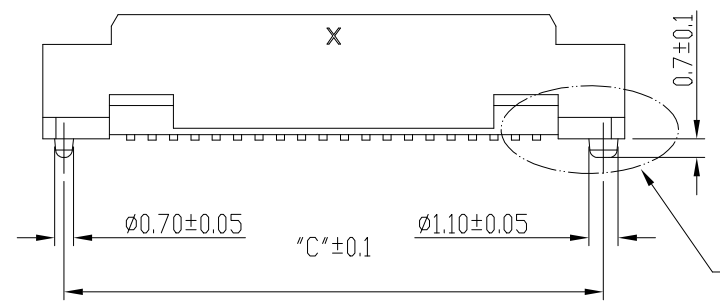
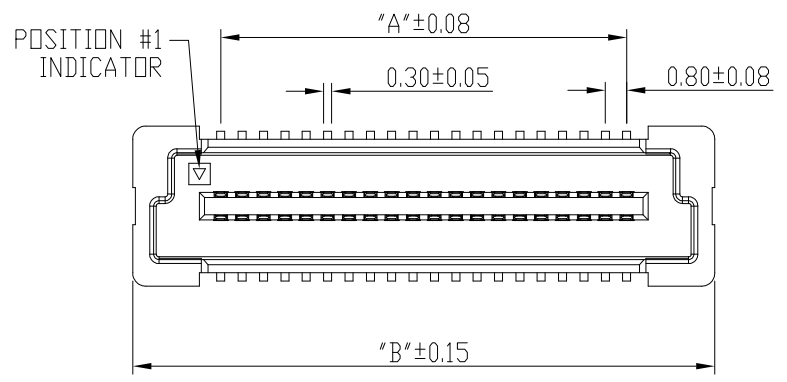
DAY(01~31)
 MONTH(01~12)
 YEAR(00~99)

DETAIL AA



SEE DETAIL AA

PLUG 1

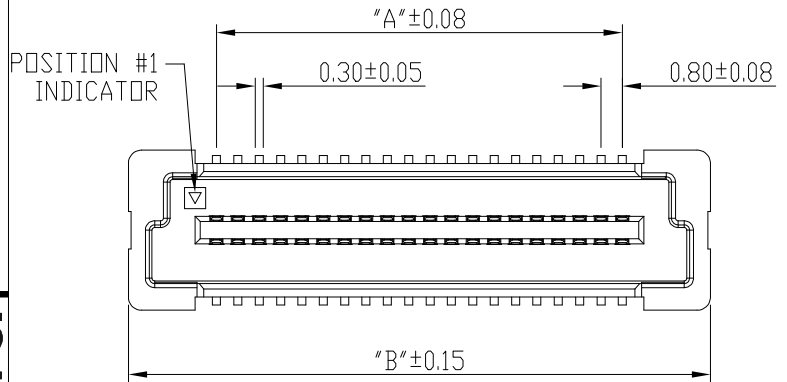
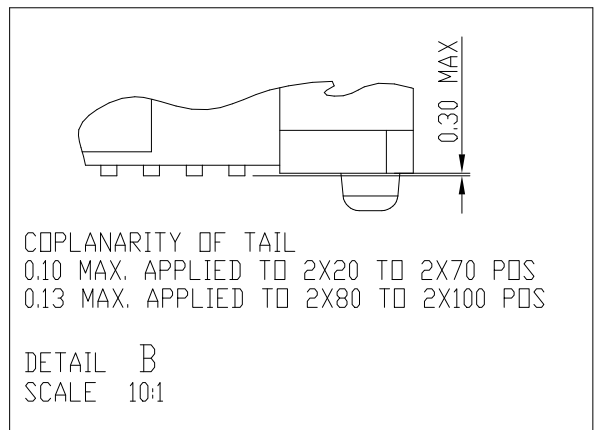
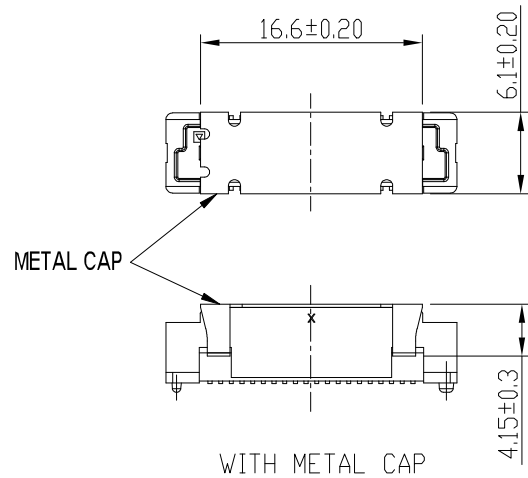


mat'l. code		surface	tolerance	projection	product family
		ISO 1302 ✓	ISO 406 ISO 1101	1101	BERGSTAK HPL545
ltr	ecn no	dr	date	tolerances unless otherwise specified	title
AN				.0±.2	PLUG ASSY
				angles linear .00±.15	BERGSTAK 0.8MM
				0°±3' .000±.10	dwg no
		dr	GuoMin Sun	10/21/14	sheet2 of 6
		engr	Bob Gu	11/22/18	size
		chr	LQ Lei	11/22/18	A3
		appd	Tim Yao	11/22/18	Amphenol FCI
sheet index	revision	AN			type Product Customer Drawing
	sheet	1~6			

Amphenol FCI

© 2016 AFCI

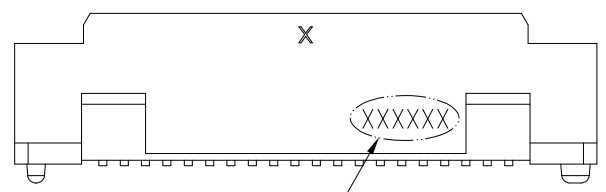
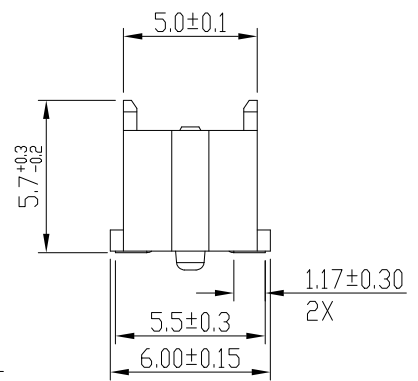
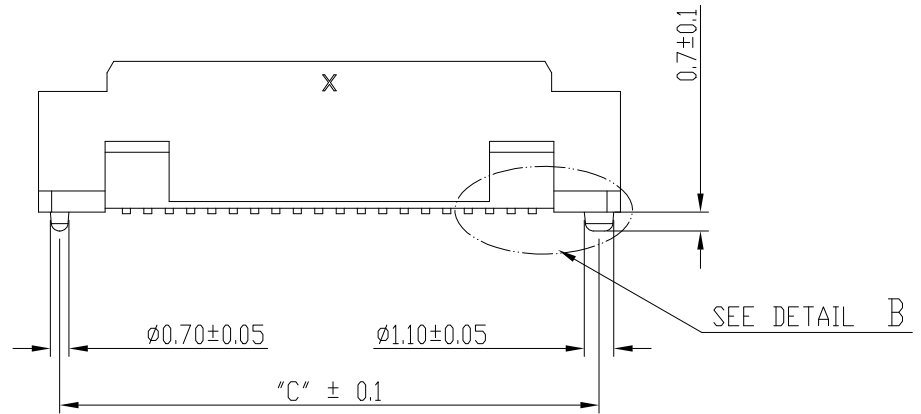
PRODUCT NO.	NO. OF POSITION	DIMENSION		
		A	B	C
61083-042***	2X20	15.2	21.8	20.2
61083-062***	2X30	23.2	29.8	28.2
61083-082***	2X40	31.2	37.8	36.2
61083-102***	2X50	39.2	45.8	44.2
61083-122***	2X60	47.2	53.8	52.2
61083-142***	2X70	55.2	61.8	60.2
61083-162***	2X80	63.2	69.8	68.2
61083-182***	2X90	71.2	77.8	76.2
61083-202***	2X100	79.2	85.8	84.2



DATE CODE: XXXXXX

- DAY(01~31)
- MONTH(01~12)
- YEAR(00~99)

DETAIL BB



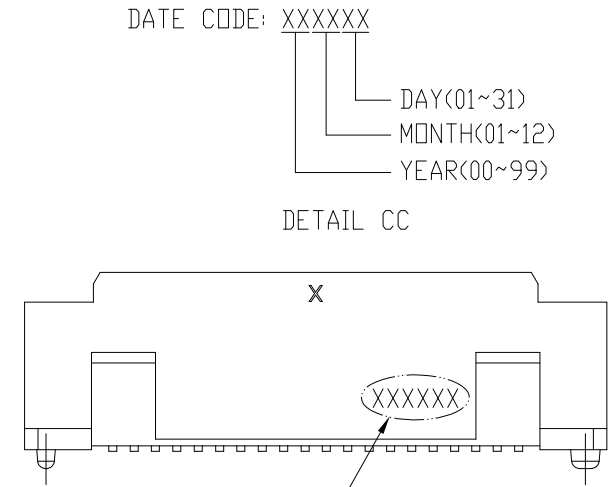
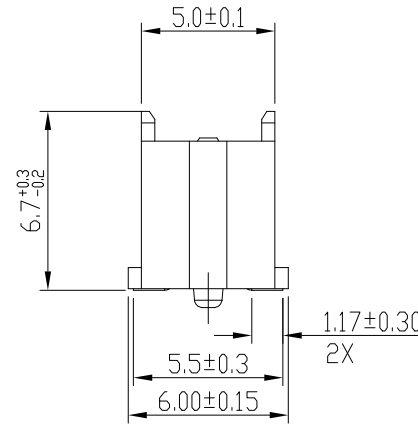
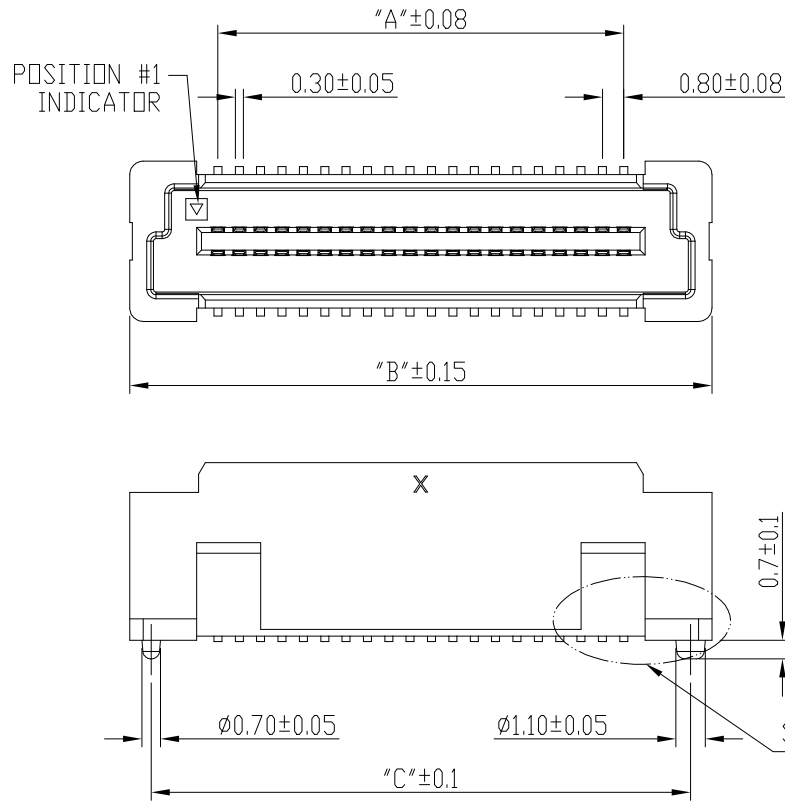
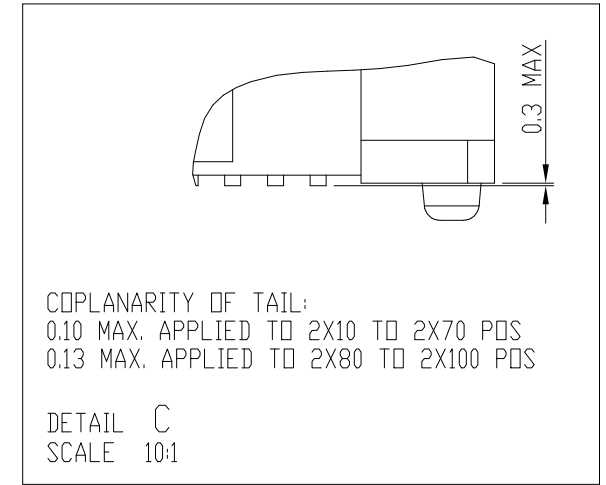
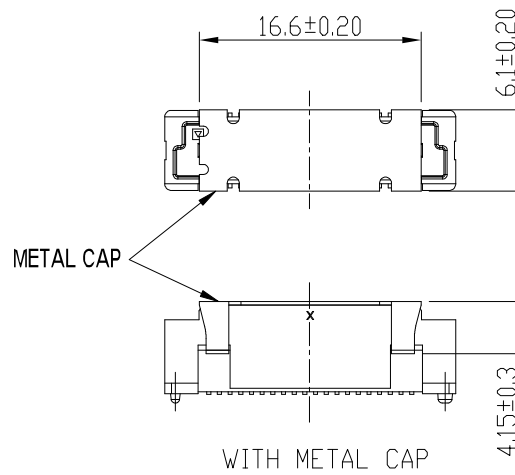
SEE DETAIL BB

PLUG 2

mat'l. code		surface ISO 1302 ✓		tolerance ISO 406 ISO 1101		projection		product family BERGSTAK HPL545	
ltr		ecn no		dr		date		title	
AN								PLUG ASSY BERGSTAK 0.8MM	
								dwg no 61083 sheet 3 of 6 size A3	
								type Product Customer Drawing	
sheet index		revision sheet		AN 1~6					

Amphenol FCI
 © 2016 AFCI
 D

PRODUCT NO.	NO. OF POSITION	DIMENSION		
		A	B	C
61083-023***	2X10	7.2	13.8	12.2
61083-043***	2X20	15.2	21.8	20.2
61083-063***	2X30	23.2	29.8	28.2
61083-083***	2X40	31.2	37.8	36.2
61083-103***	2X50	39.2	45.8	44.2
61083-123***	2X60	47.2	53.8	52.2
61083-143***	2X70	55.2	61.8	60.2
61083-163***	2X80	63.2	69.8	68.2
61083-183***	2X90	71.2	77.8	76.2
61083-203***	2X100	79.2	85.8	84.2



DATE CODE: XXXXXX
 DAY(01~31)
 MONTH(01~12)
 YEAR(00~99)

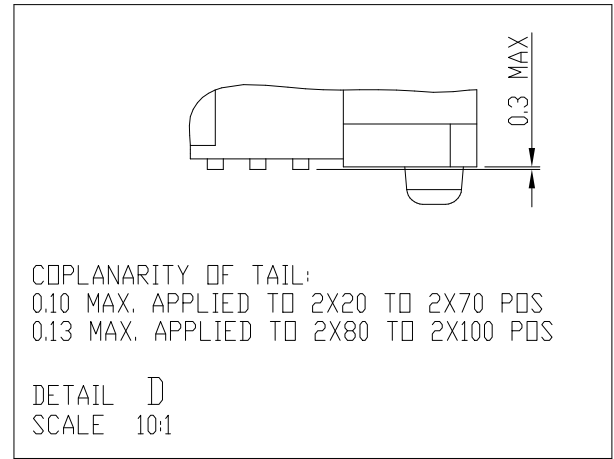
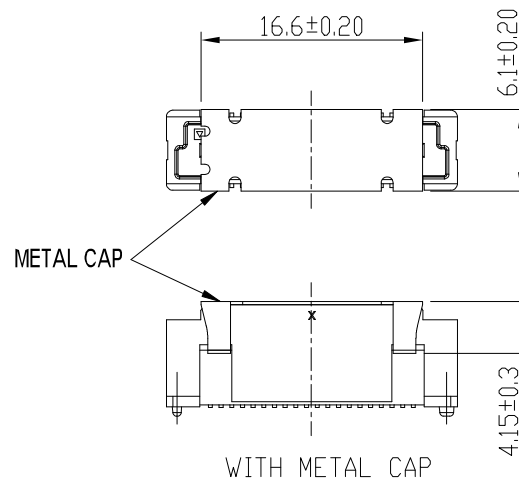
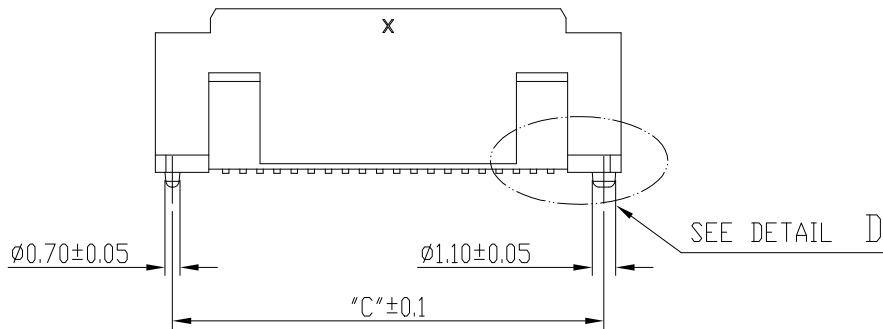
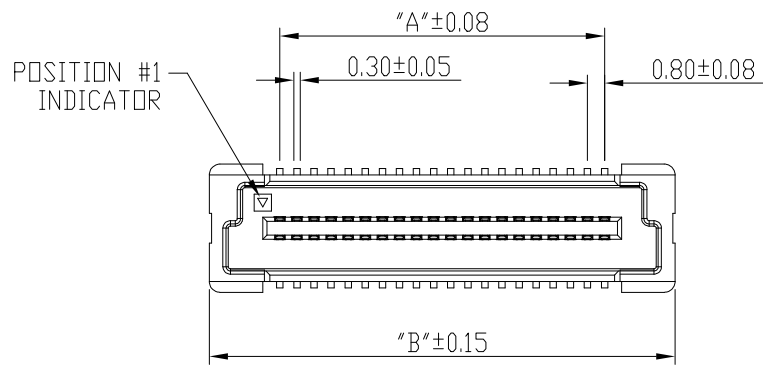
DETAIL CC

PLUG 3

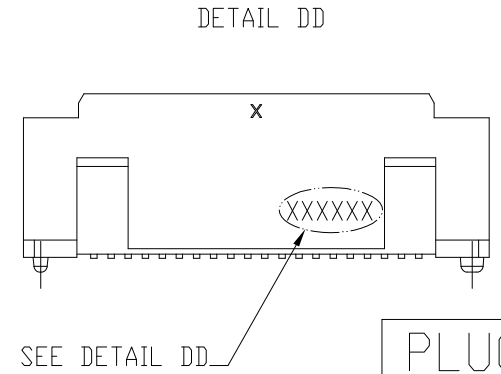
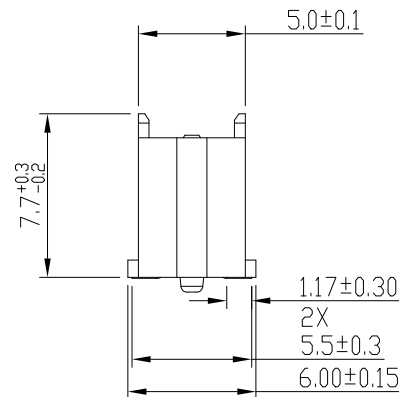
mat'l. code		surface ISO 1302 ✓		tolerance ISO 406 ISO 1101		projection		product family	
ltr		ecn no		dr		date		BERGSTAK HPL545	
AN								title	
								PLUG ASSY	
								BERGSTAK 0.8MM	
								dwg no	
								sheet 4 of 6	
								size	
								A3	
								type	
								Product Customer Drawing	
sheet index		revision sheet		AN 1~6					

© 2016 AFCl
 Amphenol FCI
 D

PRODUCT NO.	NO. OF POSITION	DIMENSION		
		A	B	C
61083-044***	2X20	15.2	21.8	20.2
61083-064***	2X30	23.2	29.8	28.2
61083-084***	2X40	31.2	37.8	36.2
61083-104***	2X50	39.2	45.8	44.2
61083-124***	2X60	47.2	53.8	52.2
61083-144***	2X70	55.2	61.8	60.2
61083-164***	2X80	63.2	69.8	68.2
61083-184***	2X90	71.2	77.8	76.2
61083-204***	2X100	79.2	85.8	84.2

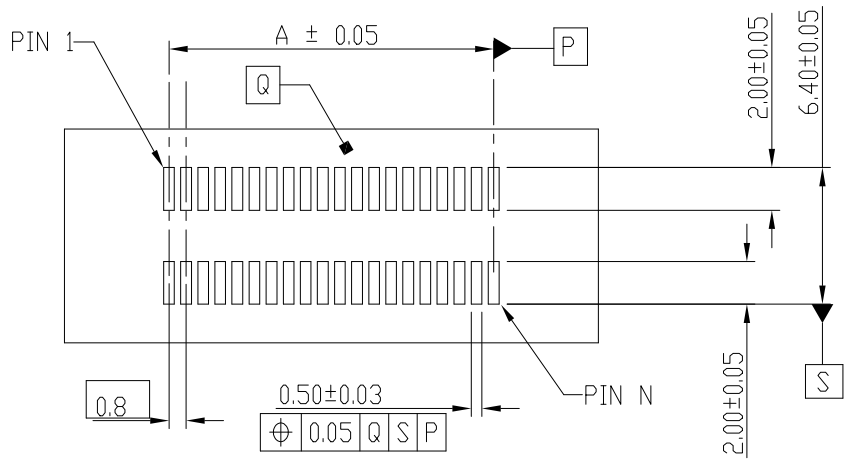


DATE CODE: XXXXXX
 DAY(01~31)
 MONTH(01~12)
 YEAR(00~99)

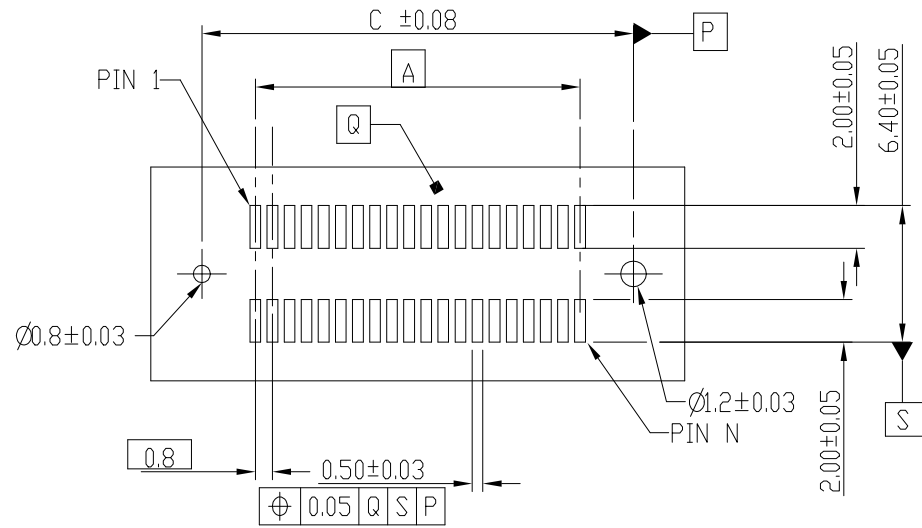


mat'l. code		surface ISO 1302 ✓	tolerance ISO 406 ISO 1101	projection	product family BERGSTAK HPL545
ltr	ecn no	dr	date	tolerances unless otherwise specified	title
AN				mm	PLUG ASSY BERGSTAK 0.8MM
				angles linear	dwg no 61083 sheet 5 of 6 size A3
				0°±3'	Amphenol FCI
				dr GuoMin Sun 10/21/14	type Product Customer Drawing
				engr Bob Gu 11/22/18	
				chr LQ Lei 11/22/18	
				appd Tim Yao 11/22/18	
sheet index	revision sheet	AN 1~6			

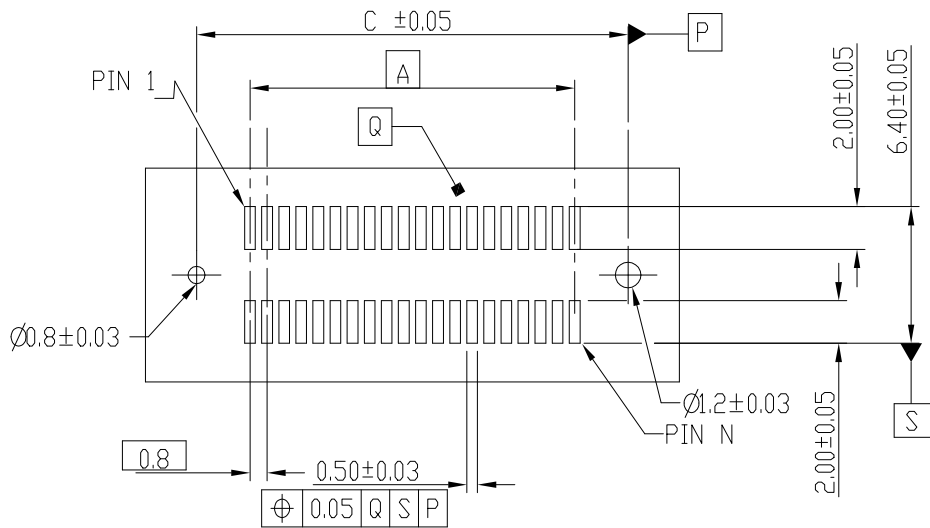
FOR PLUG 1/2/3/4



RECOMMENDED PCB LAYOUT WITHOUT PEG FOR
 NO. OF PDS 2X10, 2X20, 2X30, 2X40, 2X50 2X60



RECOMMENDED PCB LAYOUT WITH PEG FOR
 NO. OF PDS 2X70, 2X80, 2X90, 2X100



RECOMMENDED PCB LAYOUT WITH PEG FOR
 NO. OF PDS 2X10, 2X20, 2X30, 2X40, 2X50 2X60

mat'l. code		surface	tolerance	projection	product family
		ISO 1302 ✓	ISO 406 ISO 1101		BERGSTAK HPL545
ltr	ecn no	dr	date	tolerances unless otherwise specified	title
AN				linear	PLUG ASSY BERGSTAK 0.8MM
				angles	mm
				0°±3'	scale 1:1
		dr	GuoMin Sun	10/21/14	Amphenol FCI
		engr	Bob Gu	11/22/18	
		chr	LQ Lei	11/22/18	
		appd	Tim Yao	11/22/18	
sheet index	revision sheet	AN	1~6		title PLUG ASSY BERGSTAK 0.8MM dwg no 61083 type Product Customer Drawing
					sheet 6 of 6 size A3

Mouser Electronics

Authorized Distributor

Click to View Pricing, Inventory, Delivery & Lifecycle Information:

[FCI / Amphenol:](#)

[61083-042002](#) [61083-061002](#) [61083-062002](#) [61083-064002](#) [61083-081022](#) [61083-084002](#) [61083-124102](#) [61083-142002](#) [61083-142009](#) [61083-162000](#) [61083-201000](#) [61083-102402LF](#) [61083-041000](#) [61083-062000](#) [61083-142000](#) [61083-081002](#) [61083-081000](#) [61083-064000](#) [61083-043000](#) [61083-124000](#) [61083-124002](#) [61083-083000](#) [61083-084000](#) [61083-144000](#) [61083-061000](#) [61083-164000](#) [61083-204000](#) [61083-042000](#) [61083-101000](#) [61083-044000](#) [61083-202000](#) [61083-141000](#) [61083-102002](#) [61083-142409LF](#) [61083-123402LF](#) [61083-124409LF](#) [61083-041409LF](#) [61083-042409LF](#) [61083-042609LF](#) [61083-043409LF](#) [61083-043602LF](#) [61083-043609LF](#) [61083-044409LF](#) [61083-044420LF](#) [61083-044429LF](#) [61083-044600LF](#) [61083-044602LF](#) [61083-044609LF](#) [61083-044620LF](#) [61083-044622LF](#) [61083-061409LF](#) [61083-062409LF](#) [61083-062602LF](#) [61083-062609LF](#) [61083-062620LF](#) [61083-063409LF](#) [61083-063602LF](#) [61083-063622LF](#) [61083-064409LF](#) [61083-064609LF](#) [61083-081409LF](#) [61083-081429LF](#) [61083-081442LF](#) [61083-081600LF](#) [61083-081602LF](#) [61083-081622LF](#) [61083-082409LF](#) [61083-082602LF](#) [61083-082609LF](#) [61083-083409LF](#) [61083-083602LF](#) [61083-084409LF](#) [61083-084420LF](#) [61083-084602LF](#) [61083-101409LF](#) [61083-101609LF](#) [61083-102400LF](#) [61083-102409LF](#) [61083-103400LF](#) [61083-103409LF](#) [61083-103602LF](#) [61083-104400LF](#) [61083-104409LF](#) [61083-104600LF](#) [61083-104609LF](#) [61083-121400LF](#) [61083-121401LF](#) [61083-121409LF](#) [61083-122400LF](#) [61083-122409LF](#) [61083-122600LF](#) [61083-123400LF](#) [61083-123409LF](#) [61083-123600LF](#) [61083-123622LF](#) [61083-124600LF](#) [61083-124602LF](#) [61083-141409LF](#) [61083-141600LF](#) [61083-141622LF](#)